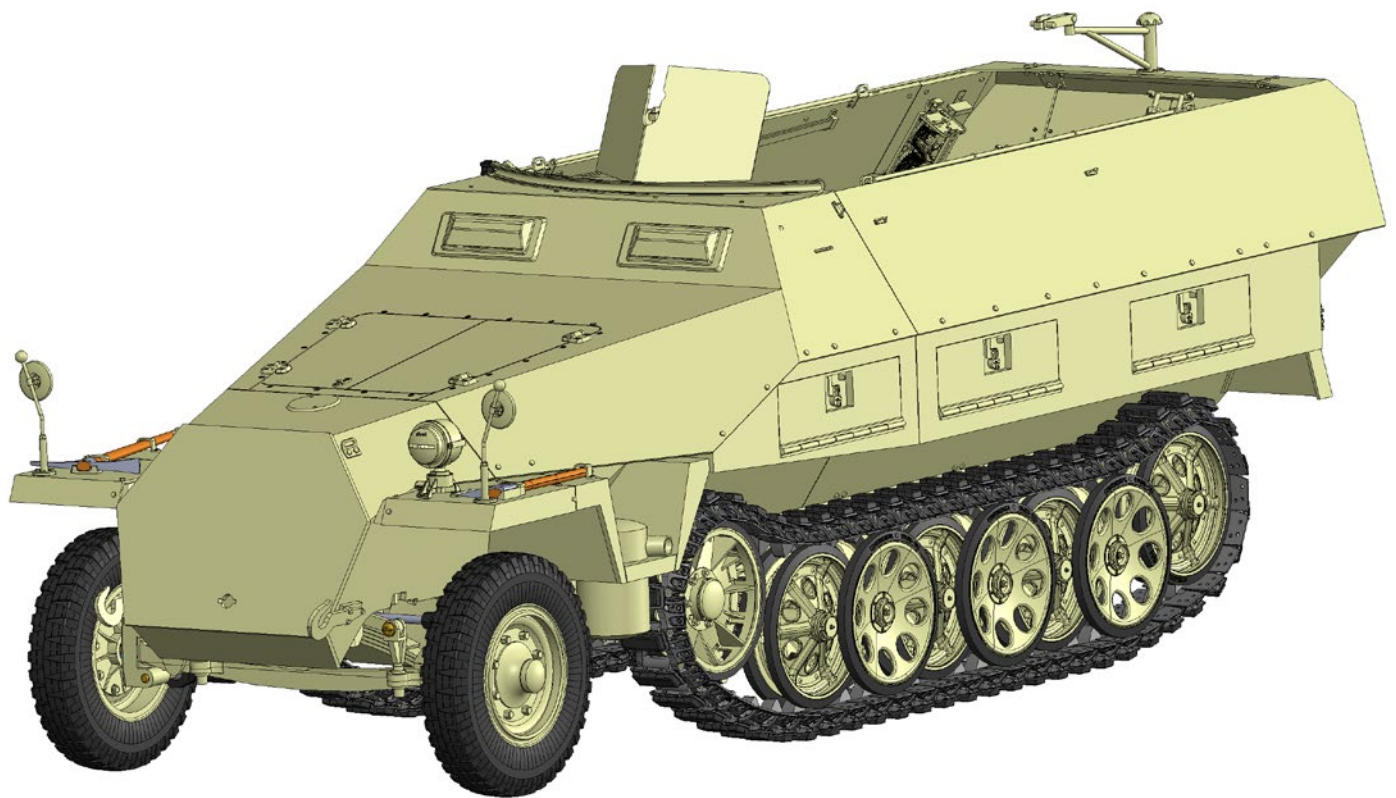


Sd.Kfz.251/1 Ausf.D

German half-track

Assembly guide



1/6 scale model by  **WARPRINTS**

CONTENTS:

| PAGE | CHAPTER: |
|------|---|
| 3 | Introduction |
| 7 | Assembly 01 - Chassis |
| 27 | Assembly 01 - Chassis - Suspensions |
| 32 | Assembly 01 - Chassis - Track Tensioners |
| 35 | Assembly 01 - Chassis - Bump Stops |
| 37 | Assembly 01 - Chassis - Front Axle |
| 51 | Assembly 01 - Chassis - Sprocket |
| 53 | Assembly 01 - Chassis - Road Wheels |
| 55 | Assembly 01 - Chassis - Steering |
| 58 | Assembly 01 - Chassis - Front Wheels |
| 59 | Assembly 01 - Chassis - Detailing |
| 68 | Assembly 01 - Chassis - Tracks |
| 71 | Assembly 01 - Chassis - Wheel Hub Caps |
| 74 | Assembly 02 - Floor |
| 86 | Assembly 02 - Floor - Short Seat |
| 97 | Assembly 02 - Floor - Long Seat |
| 108 | Assembly 02 - Floor - Finalization |
| 113 | Assembly 03 - Upper Hull - Dashboard |
| 134 | Assembly 03 - Upper Hull - Front Section |
| 148 | Assembly 03 - Upper Hull - Visors |
| 169 | Assembly 03 - Upper Hull - Dashboard Installation |
| 171 | Assembly 03 - Upper Hull - Rear Section |
| 191 | Assembly 03 - Upper Hull - Backrests |
| 216 | Assembly 03 - Upper Hull - Rear Doors |
| 230 | Assembly 03 - Upper Hull - Floor Installation |
| 232 | Assembly 03 - Upper Hull - Detailing |
| 299 | Assembly 03 - Upper Hull - MG Mounts |
| 313 | Assembly 03 - Upper Hull - Kar98k |
| 315 | Final Assembly |

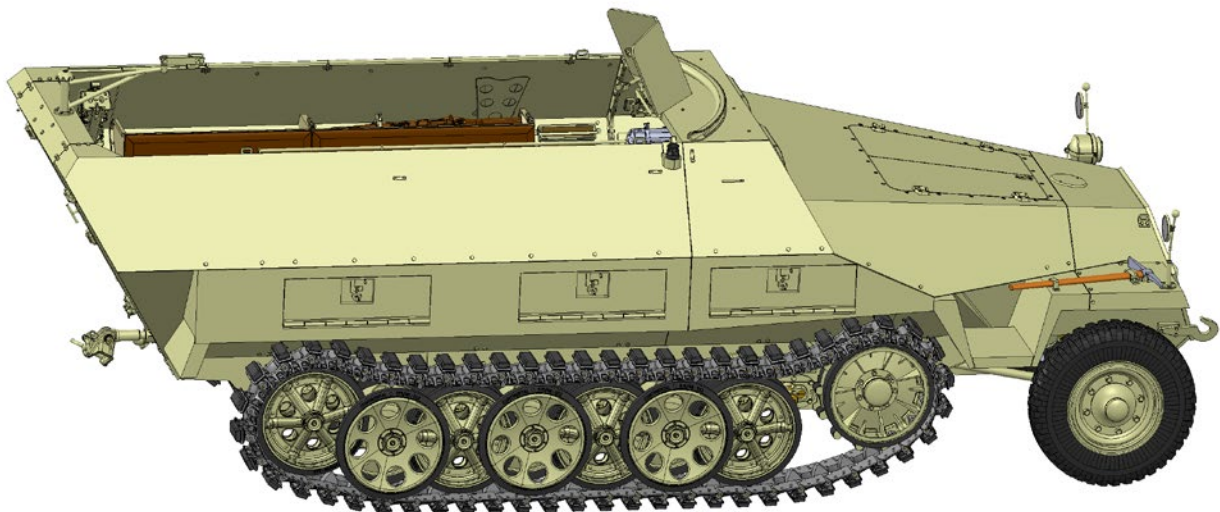
You can quickly navigate to a page in the document by clicking on the page number.

Weight of the assembled model: 10kg (22lbs)

Dimensions: 997 x 349 x 291mm

FEATURES:

- ultimate playground for your sixth-scale figures
- very large number of moving parts
- all hatches and doors openable
- realistic and movable visors
- realistic imitations of wood, leather and mirrors
- detailed and authentic waterslide decals
- Mg-42 machineguns



Thank you for choosing our model.

We hope that the assembly will be trouble-free and you will enjoy the model.

This part of the manual will guide you through the assembly of the model.

DO NOT BE CONCERNED BY THE LARGE NUMBER OF PAGES OF THIS MANUAL. IT'S FULL OF LARGE PICTURES AND SAVES NO SPACE.

Each page contains one construction step.

If you still encounter problems or issues during construction, contact us on our forum <https://www.warprints.xyz/forum>

This manual contains the entire assembly of the model.

All printed parts are numbered according to the order in which they are installed on the model.

Some printed parts are identical or mirrored, but have different numbering to maintain the clarity of the assembly.

Follow the assembly procedure according to the instructions, do not skip or neglect any steps.

Parts 01-12, 01-17, 01-37 and 03-07 do not exist. Do not look for them.

These numbers have been skipped to maintain compatibility with the RC version of this model.

On our forum, we can actively help you with the entire assembly.

At the same time, your questions and our answers on the forum will help many other enthusiasts who are looking for help.

Therefore, please address your questions about the assembly and use of the model on the forum instead of e-mailing us. Thank you.

The kit is divided into assemblies.

The individual assemblies can be removed from the model at any time for service or maintenance.

Never glue individual assemblies together!!!

Of course, you can build the individual assemblies in any order you want.

Failure to follow the instructions may prevent further construction !!!

General practices for building:

- **In the instructions often appears (e.g.) Wire diameter 0,6mm.**

We recommend gluing these wires in place first and then cutting the appropriate length. It's much easier than trying to put a 4mm long wire somewhere.

- **Unless otherwise specified in the instructions for a specific part, glue the parts together using superglue.**

For more precise gluing, slow-drying superglue is recommended.

- **Use liquid spray putty or filler for a perfect surface finish of the large parts.**

We have prepared the parts so that you do not have to sand them repeatedly and for a long time.

- **Use a toothpick for gluing.**

For gluing very small parts with superglue (e.g. hinges), use a toothpick. Apply the glue using it.

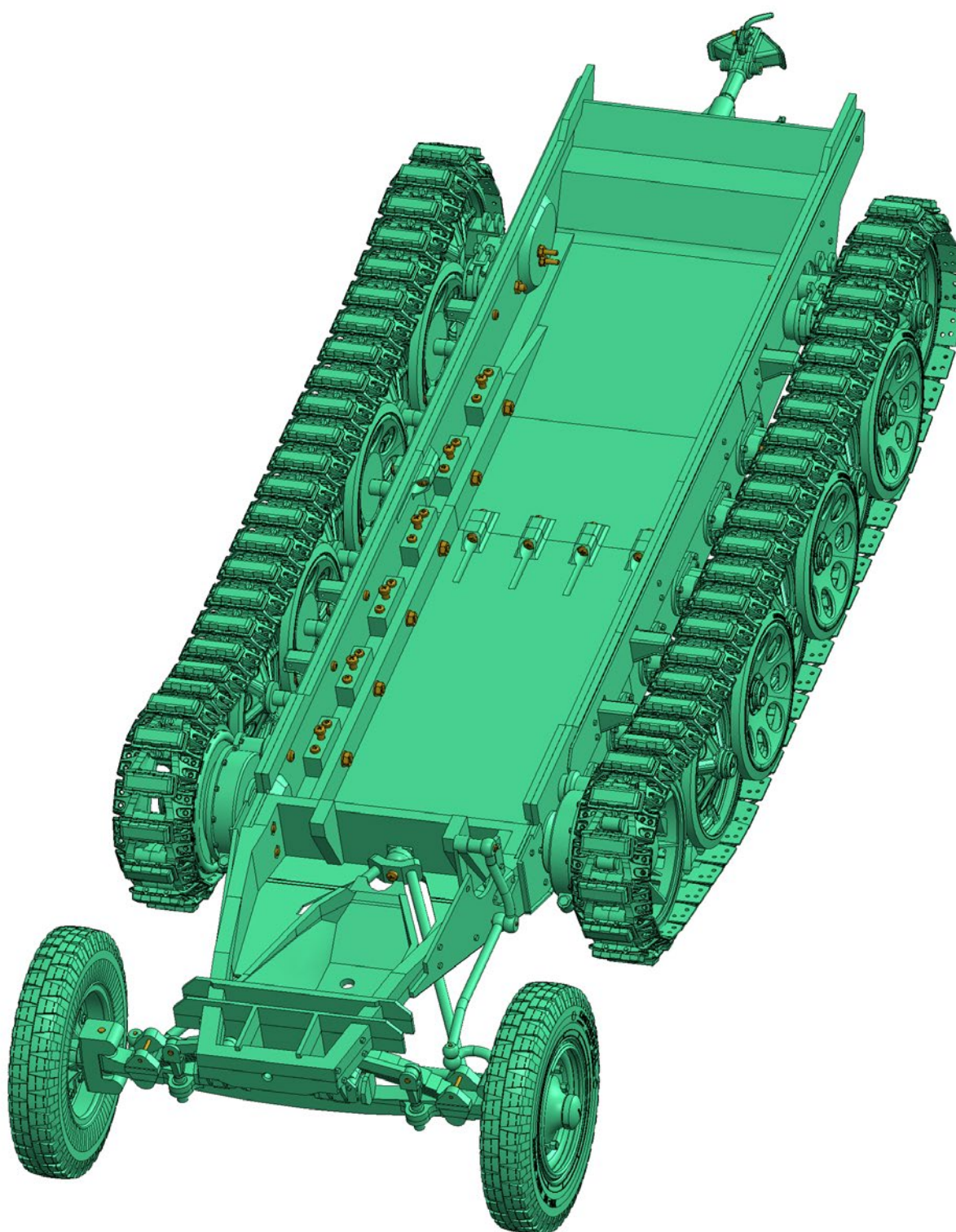
- **Waterslide decals do not have a localized carrier film !!!**

Please cut out each design as close to the edge as possible before dipping it into water.

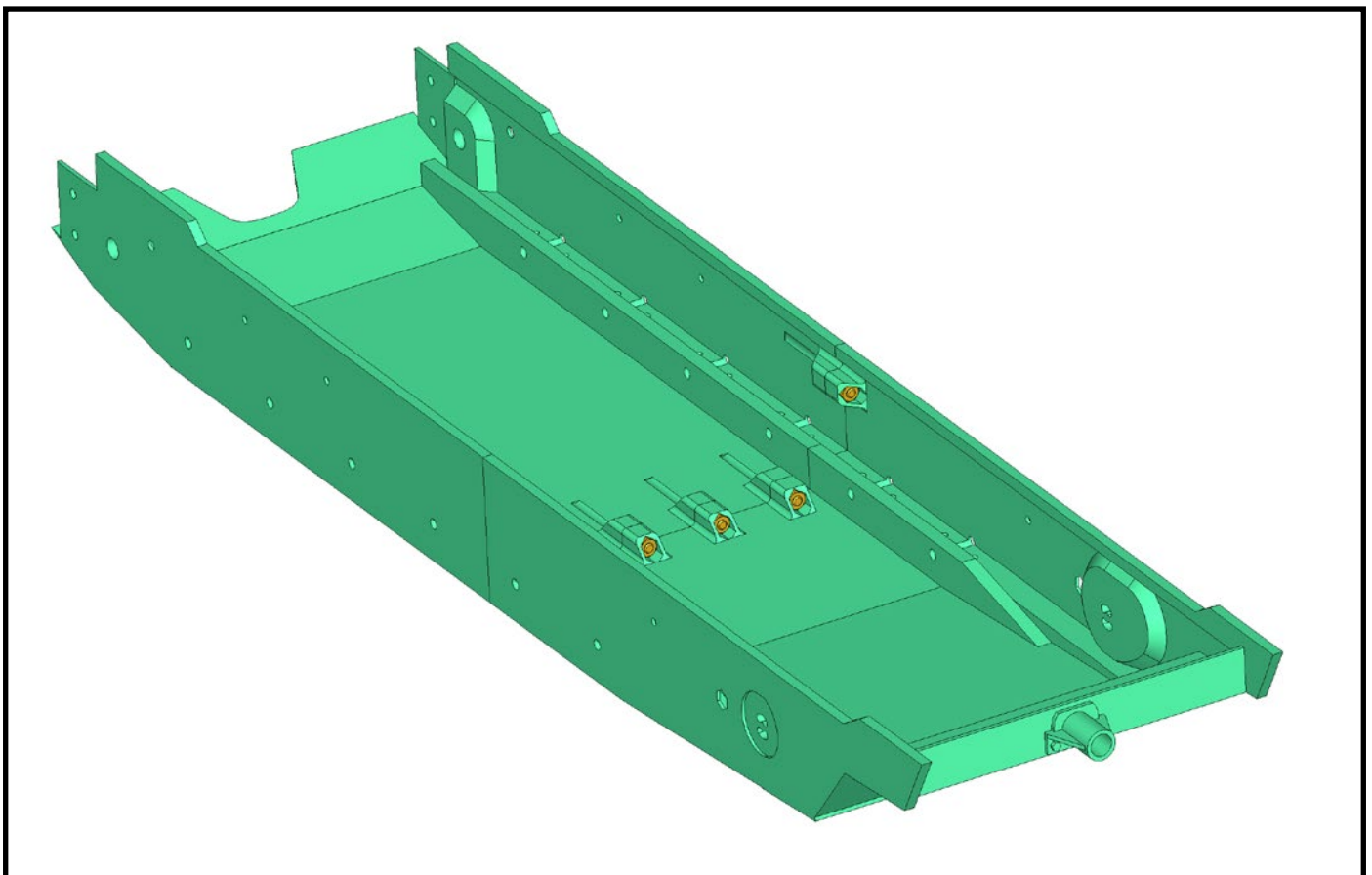
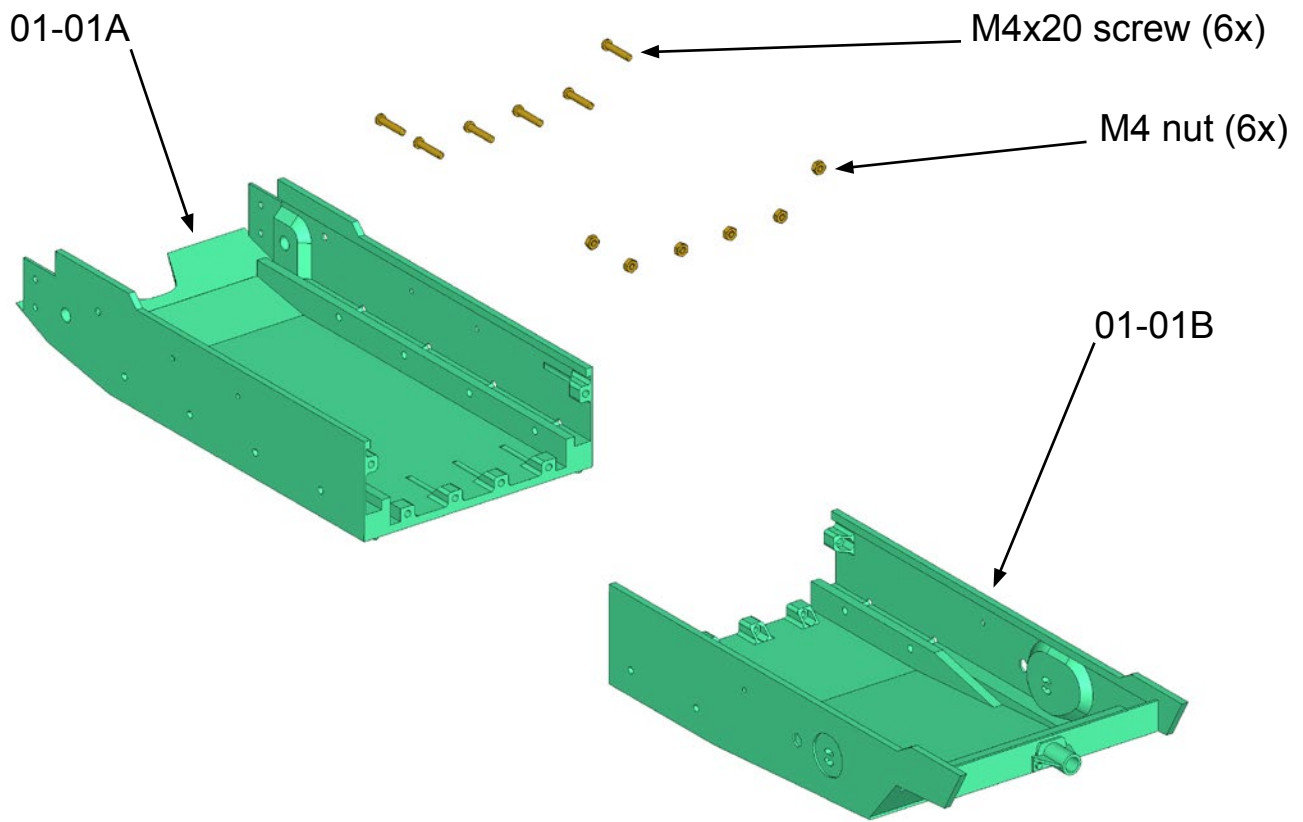
- **Many parts require painting before the model is completely assembled.**

These parts are marked with this pictogram in the instructions:

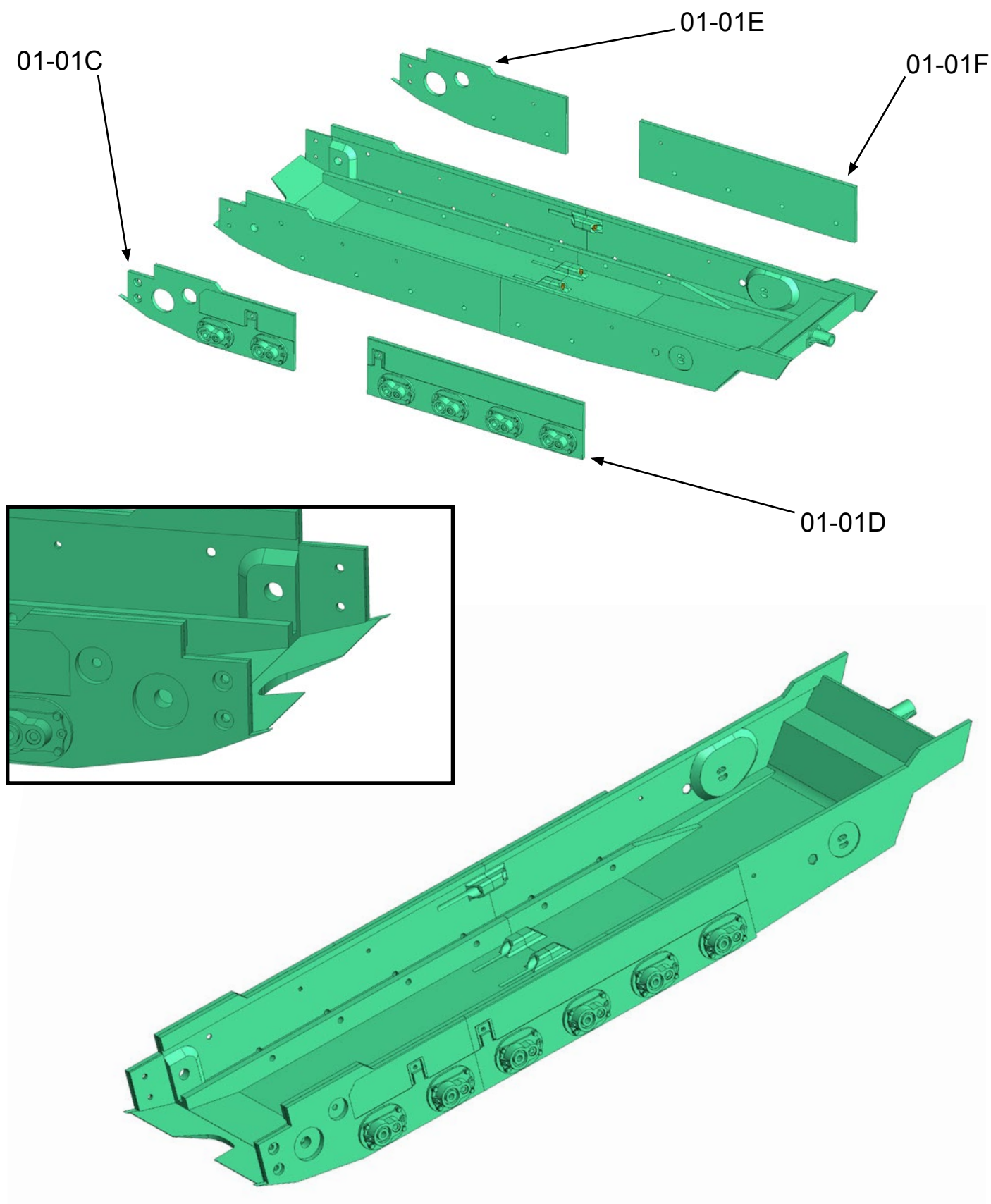




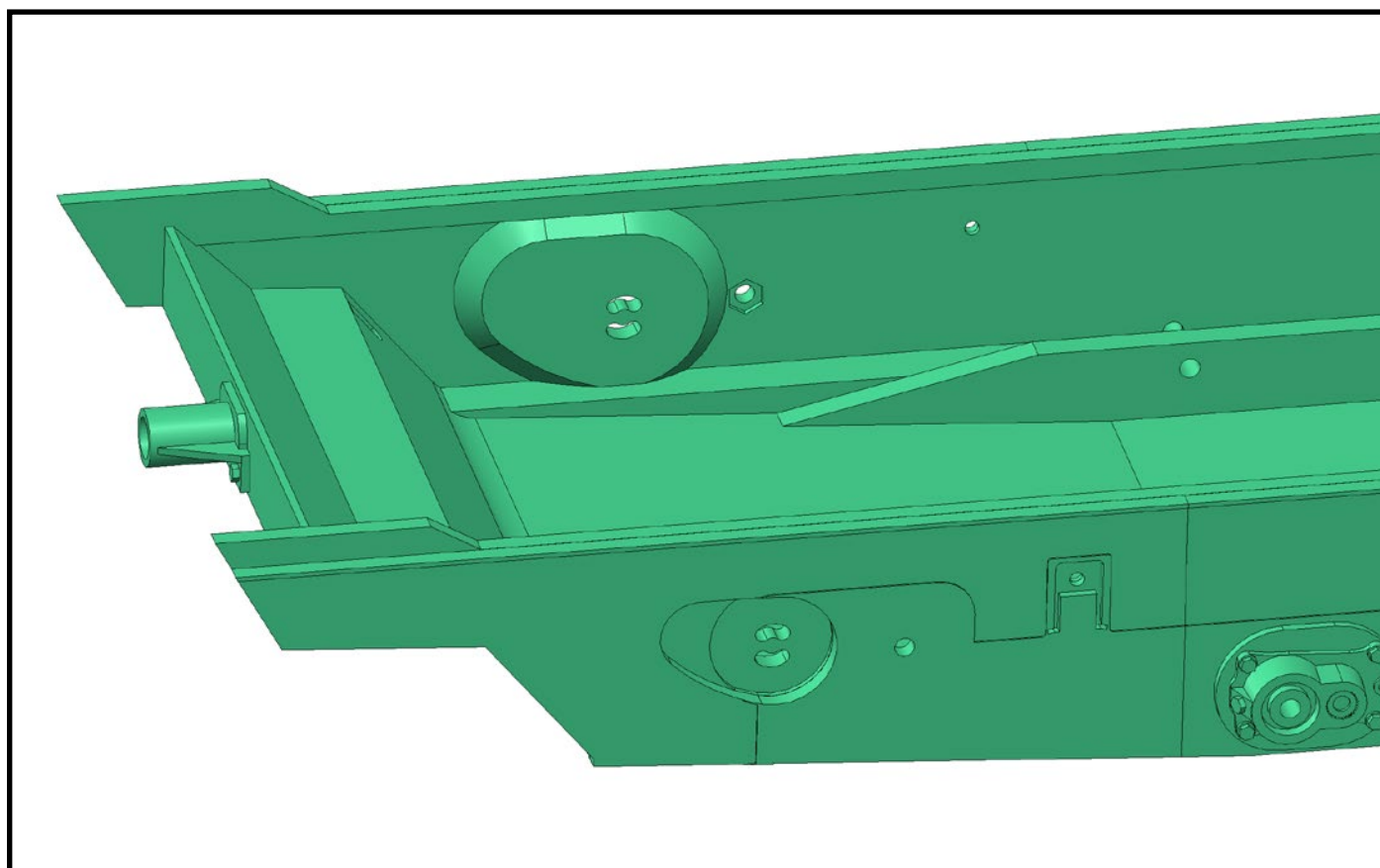
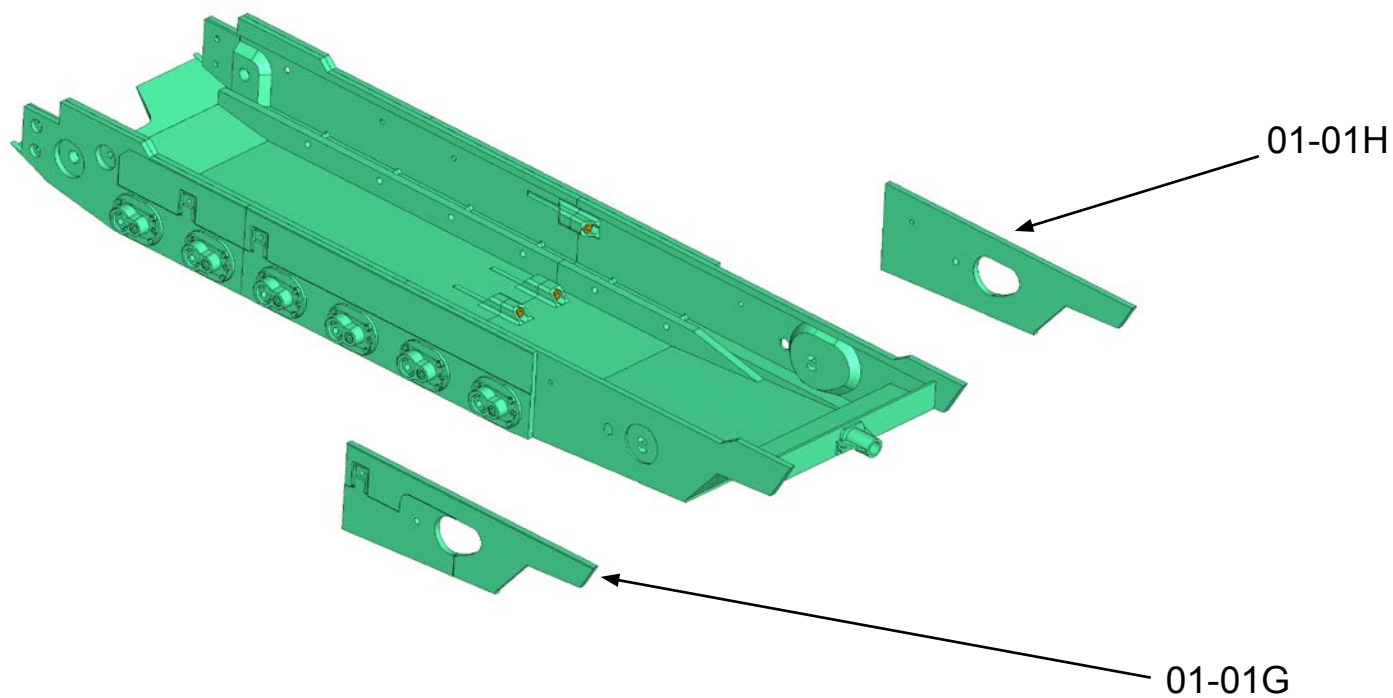
Assembly 01 - Chassis



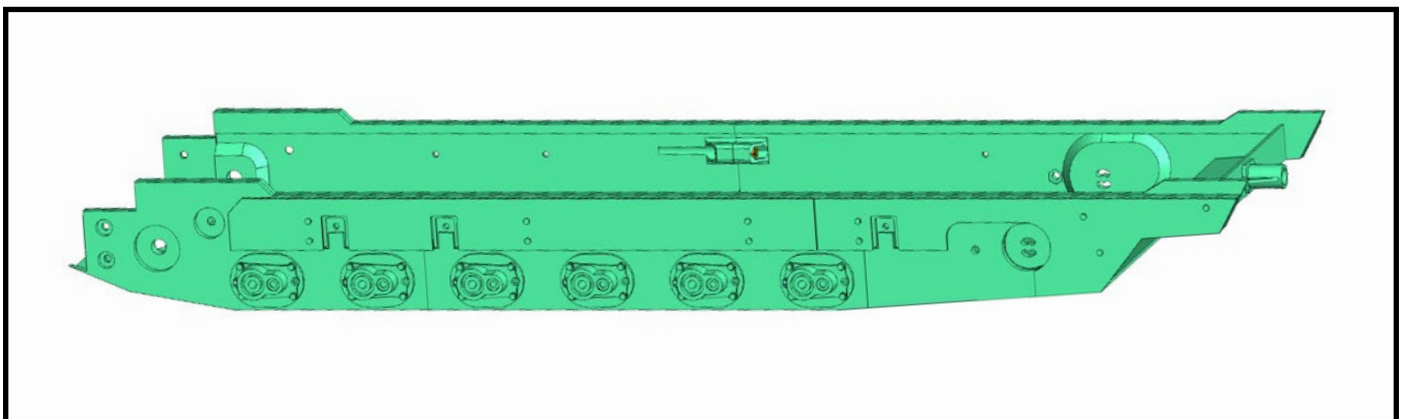
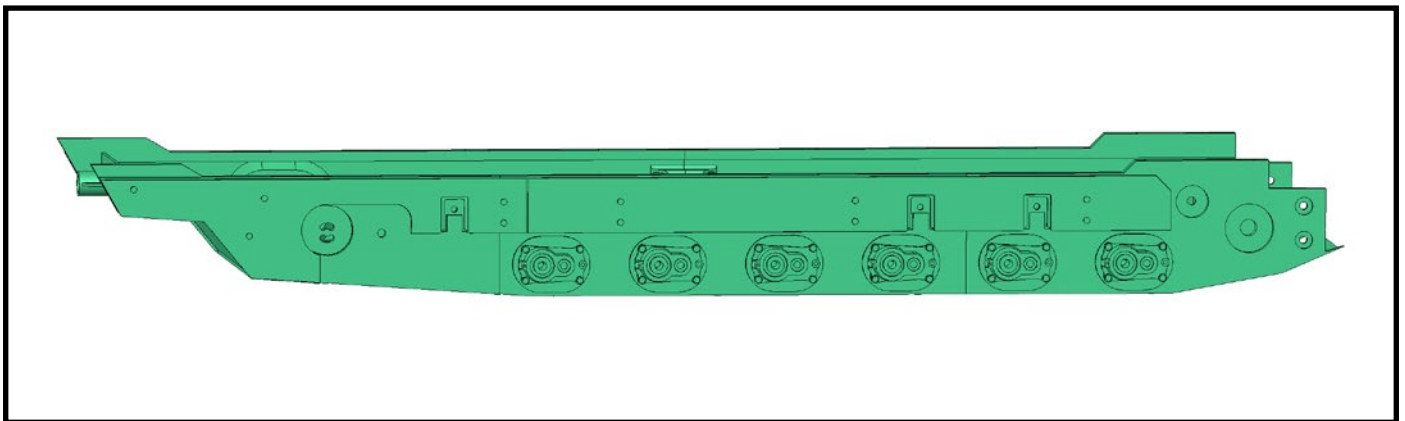
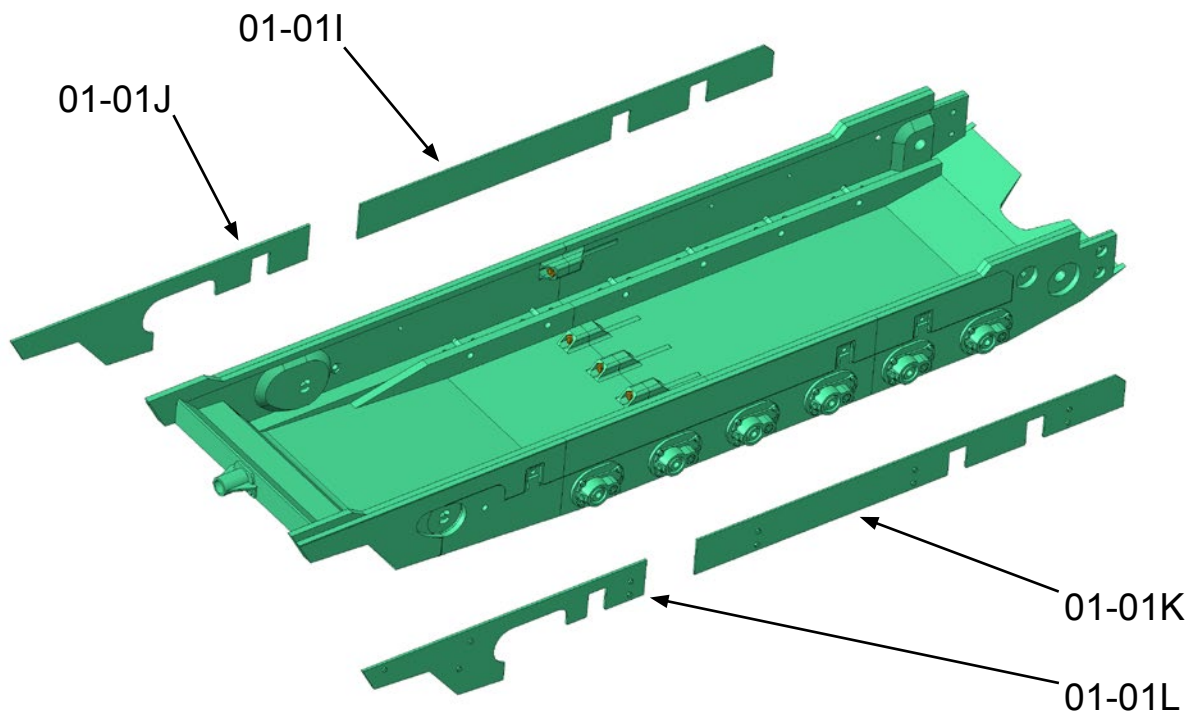
Connect parts 01-01A and 01-01B using glue, six M4x20 screws and M4 nuts.



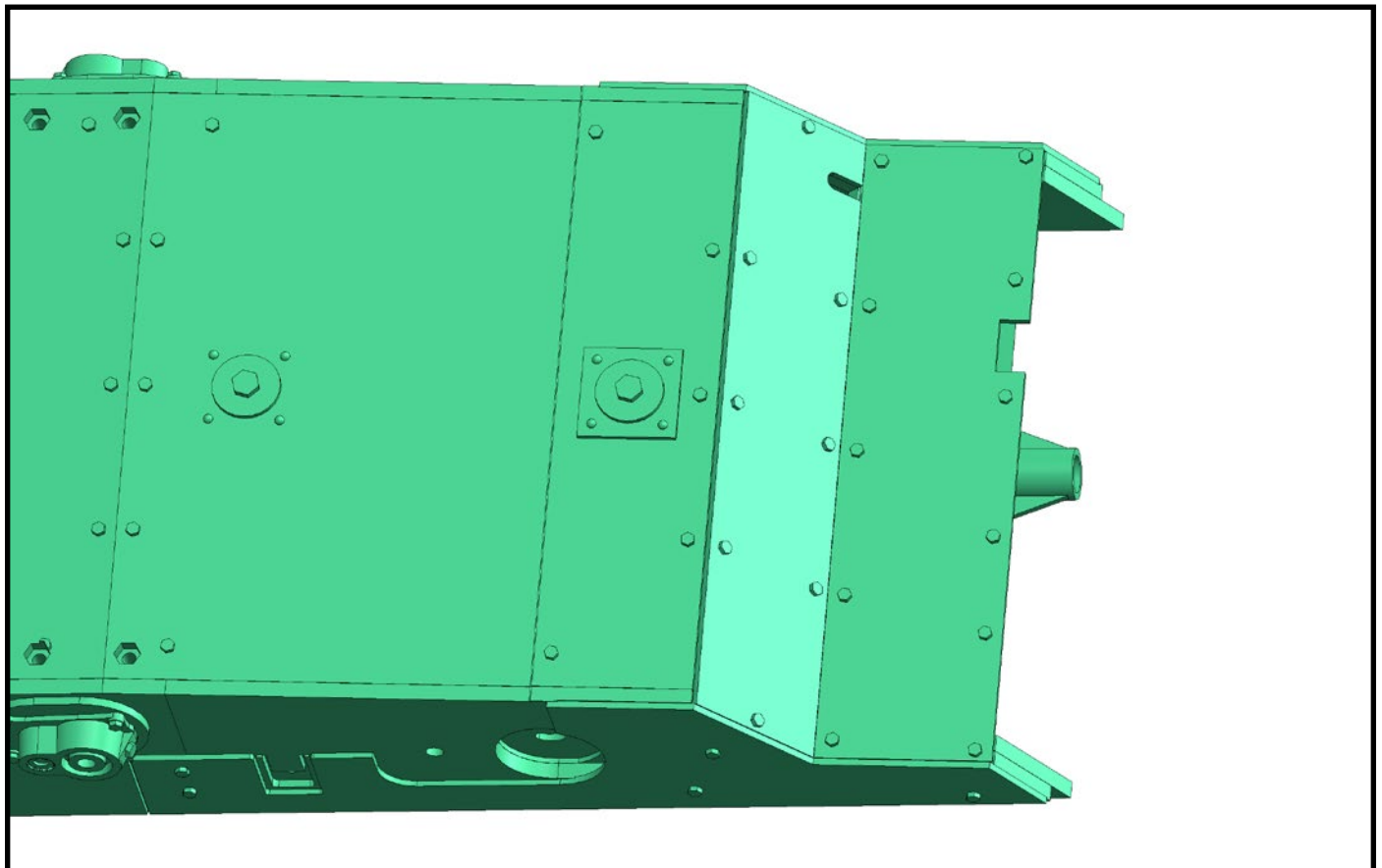
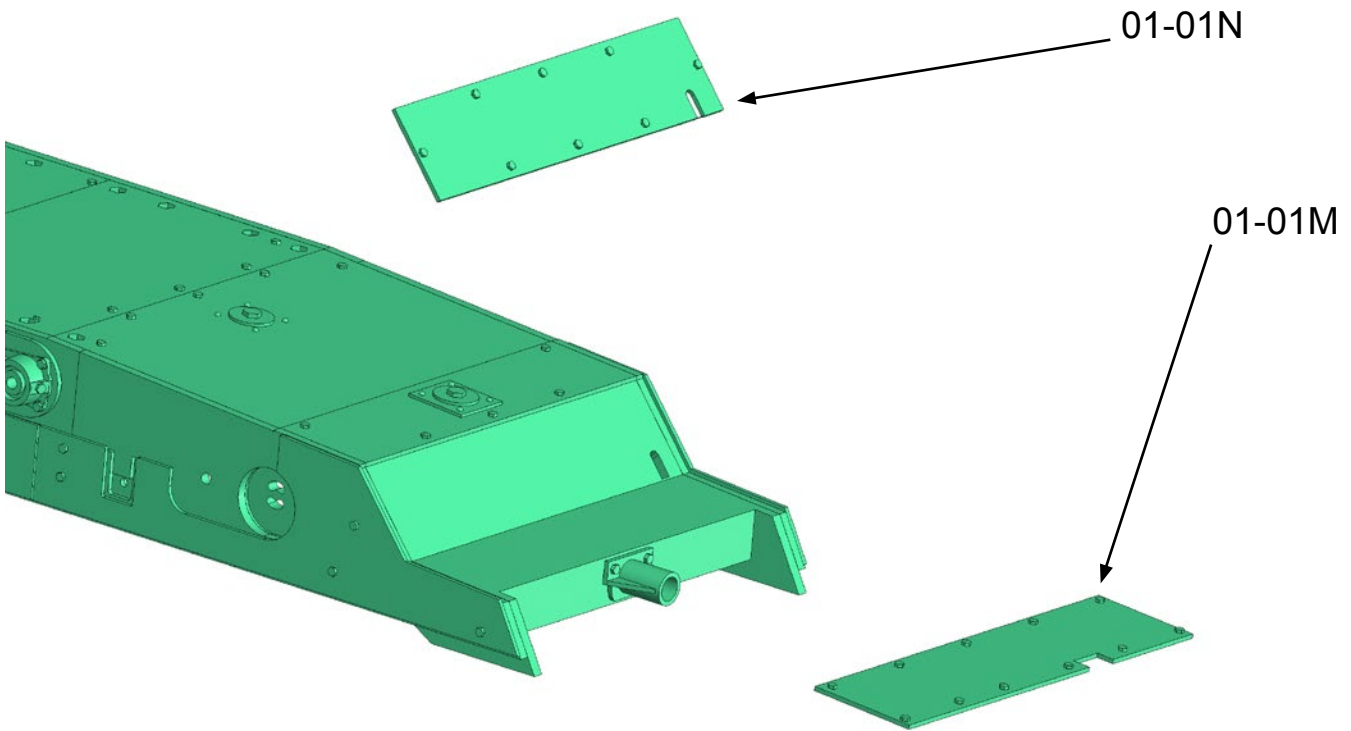
Glue parts 01-01C, 01-01D, 01-01E, and 01-01F to assembly 01-01.
Carefully align the holes.



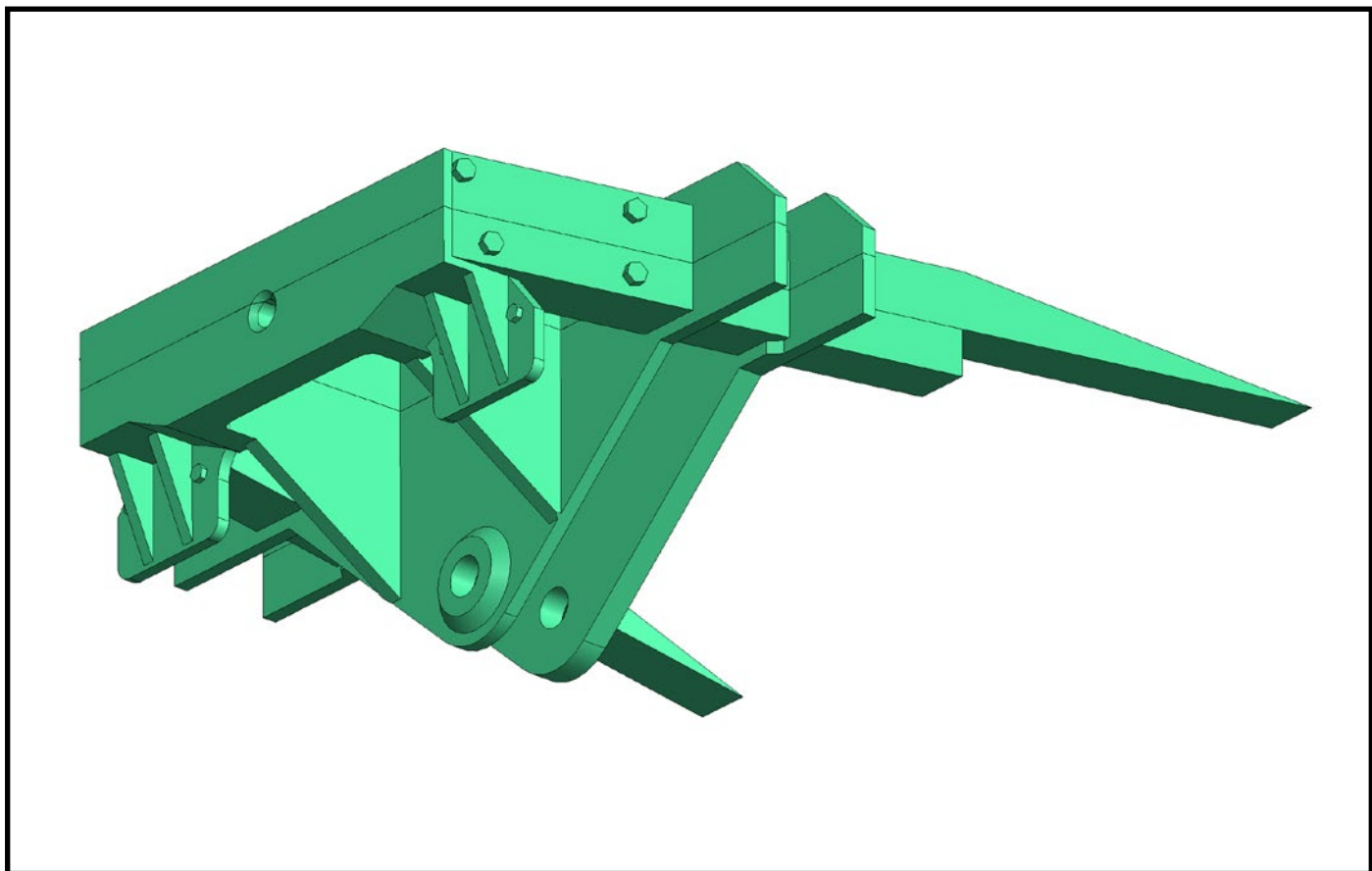
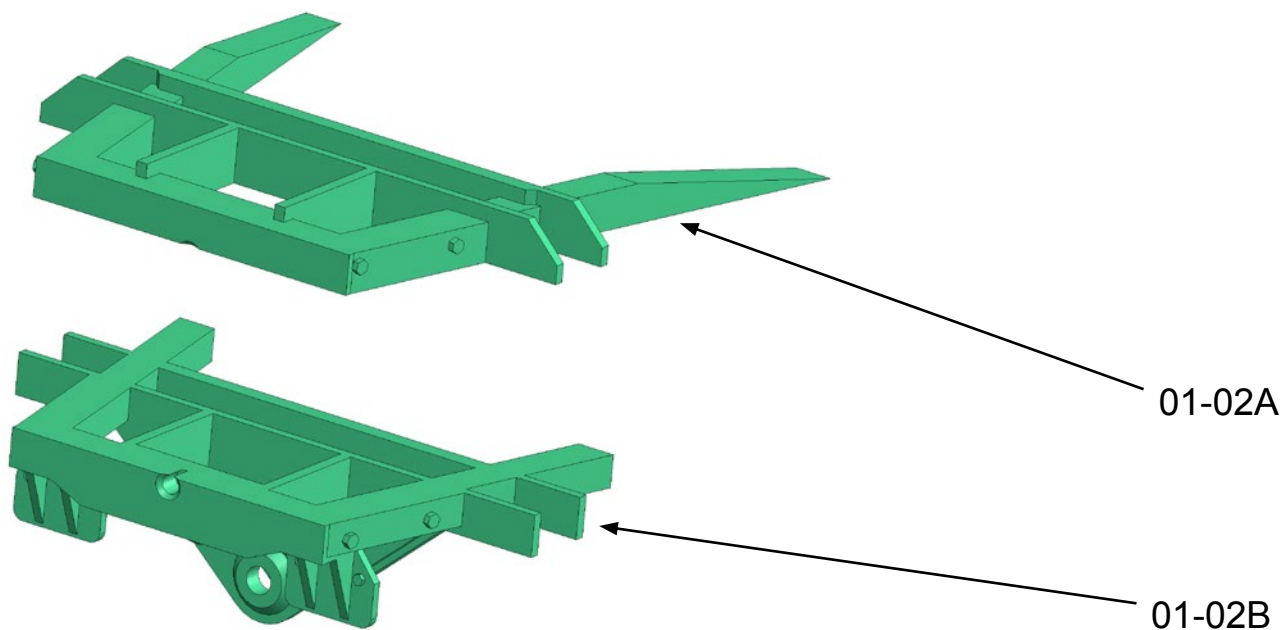
Glue parts 01-01G and 01-01H to assembly 01-01.



Glue parts 01-01I, 01-01J, 01-01K, and 01-01L to assembly 01-01.

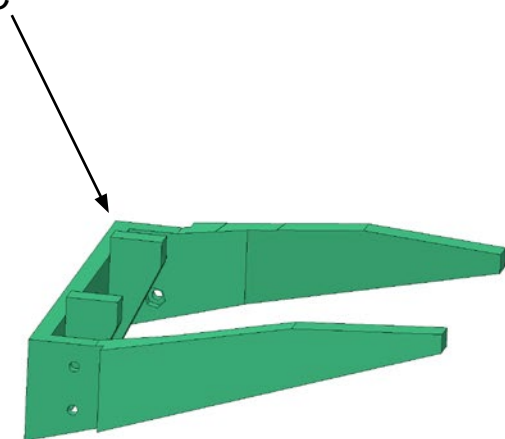


Glue parts 01-01N and 01-01M to assembly 01-01.

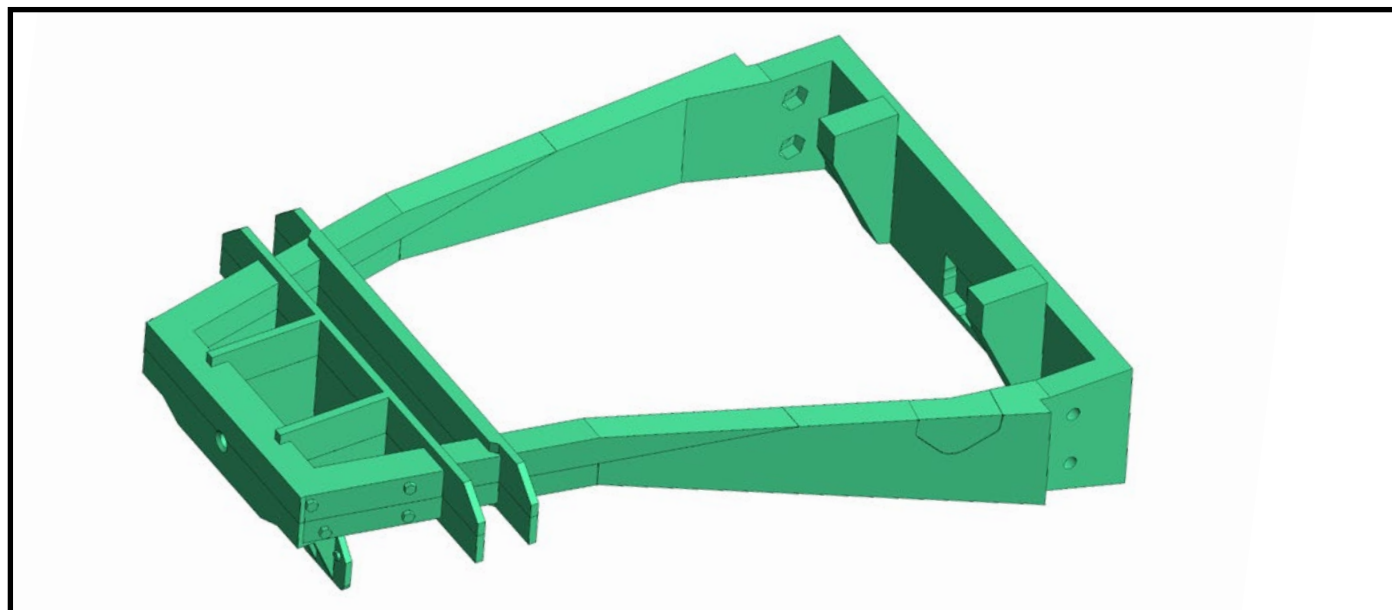
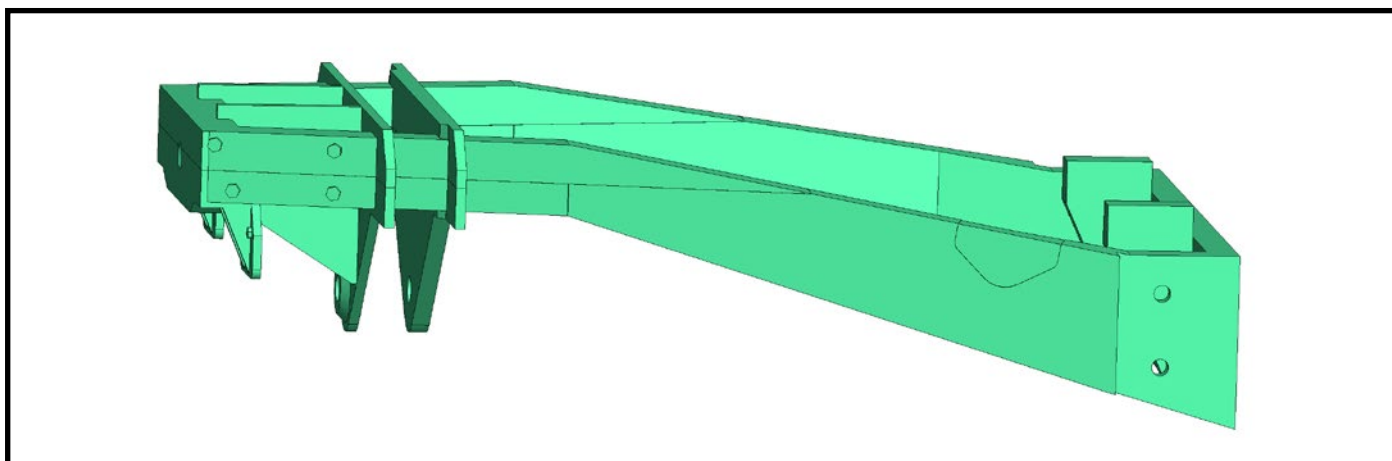
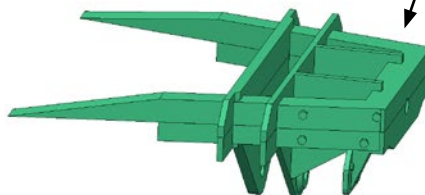


Glue part 01-02A to part 01-02B.

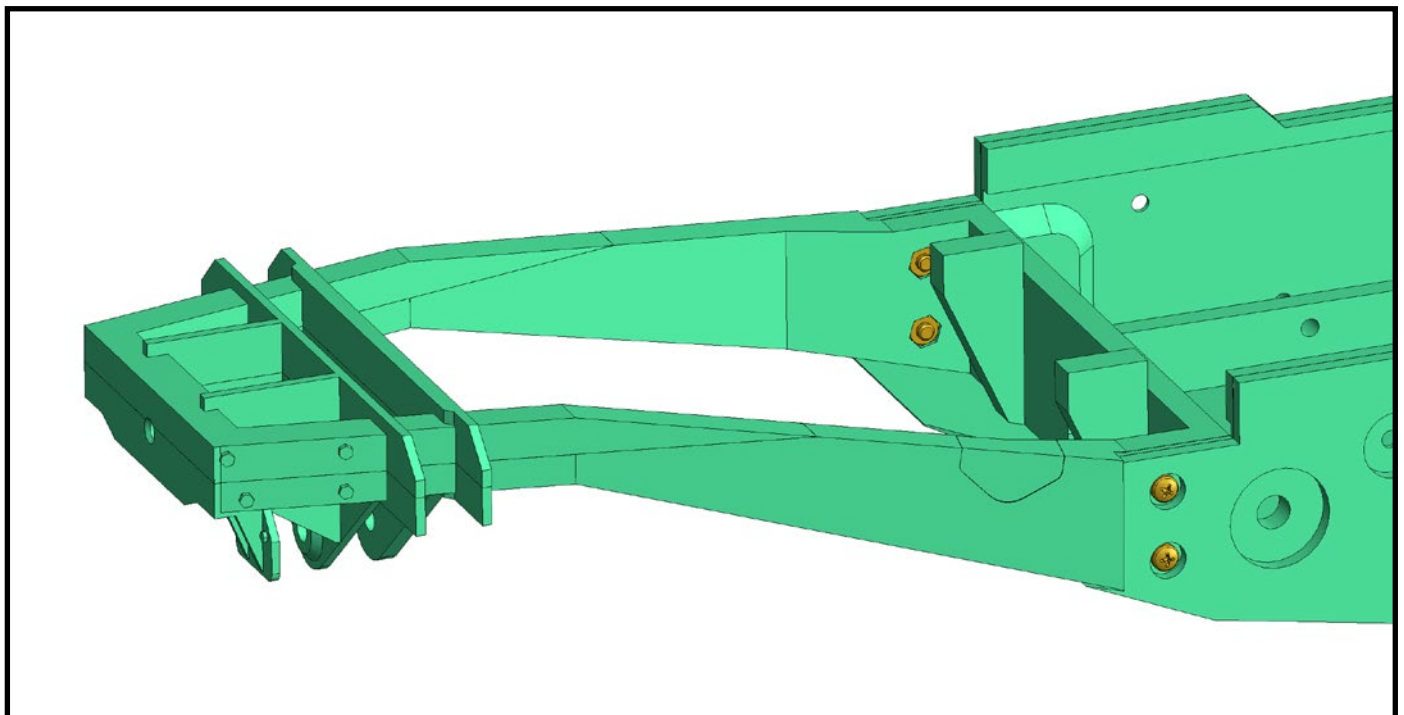
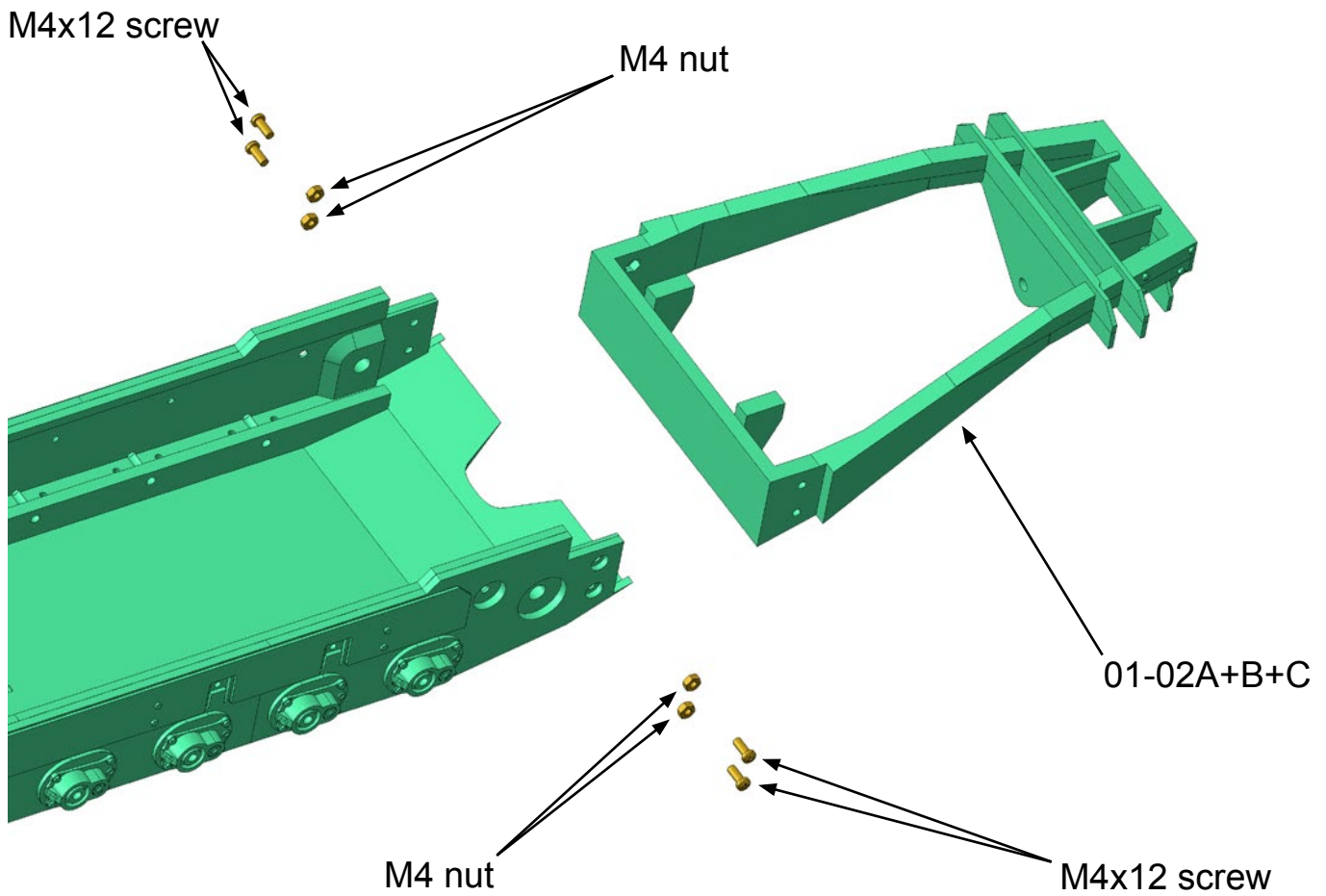
01-02C



01-02A+B

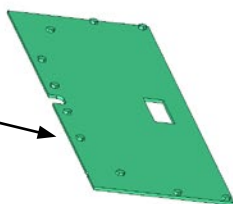


Glue part 01-02C to assembly 01-02.

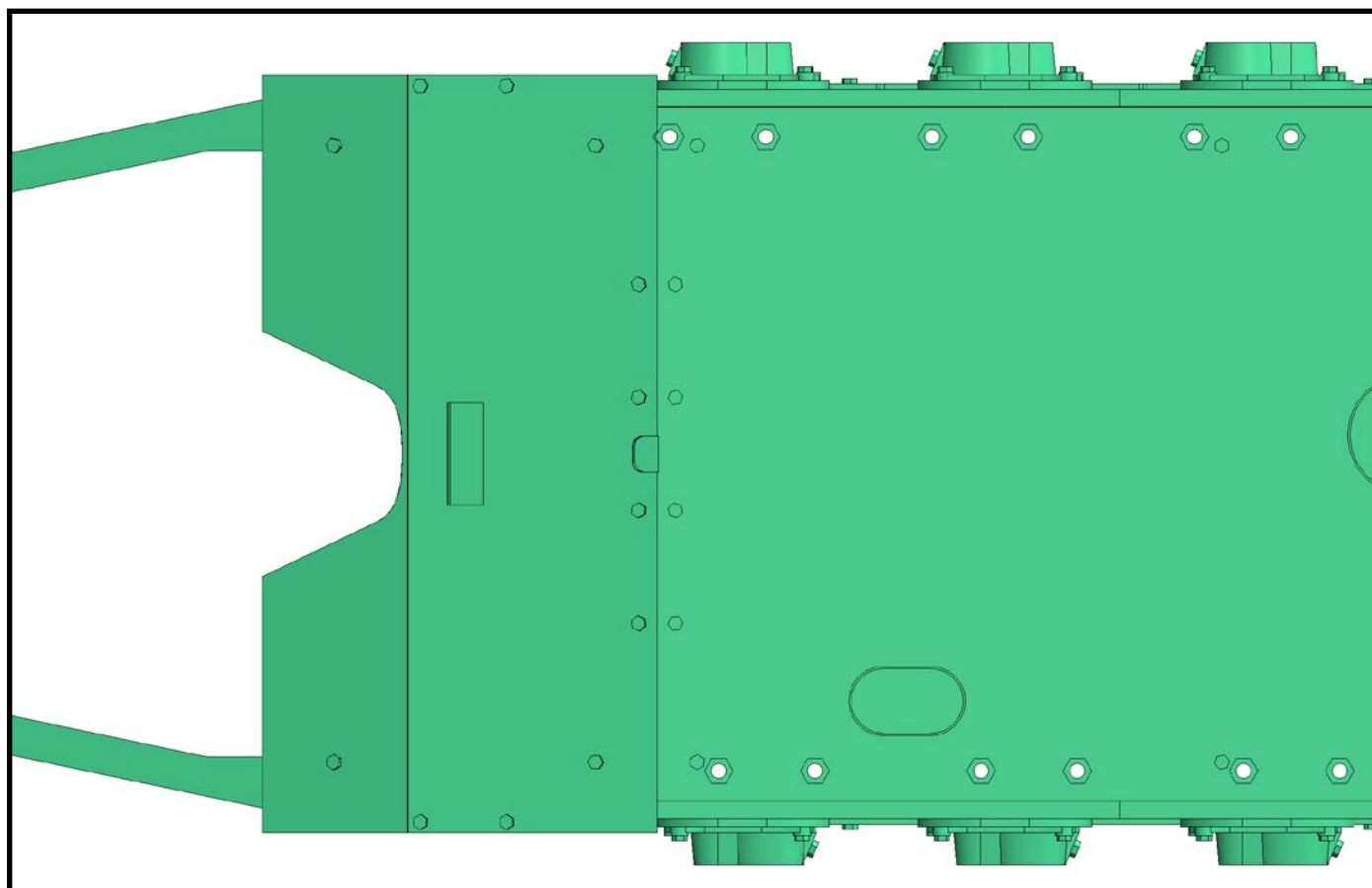
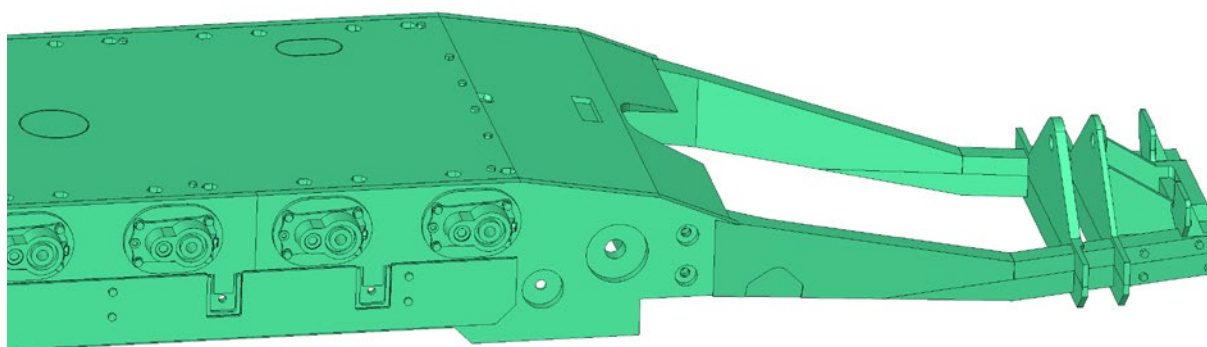
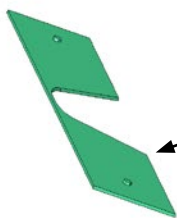


Connect assemblies 01-01 and 01-02 using glue, four M4x12 screws and M4 nuts.

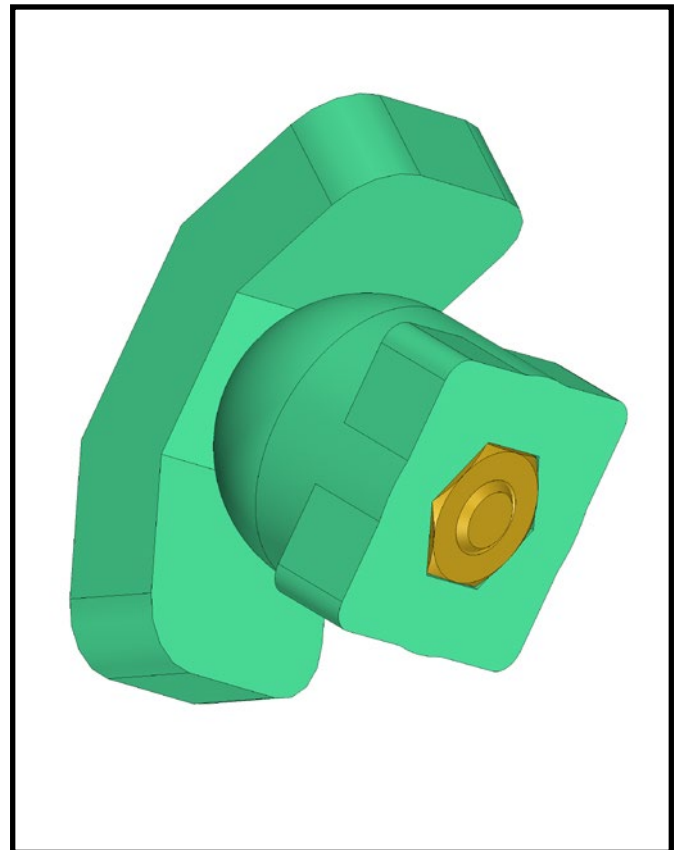
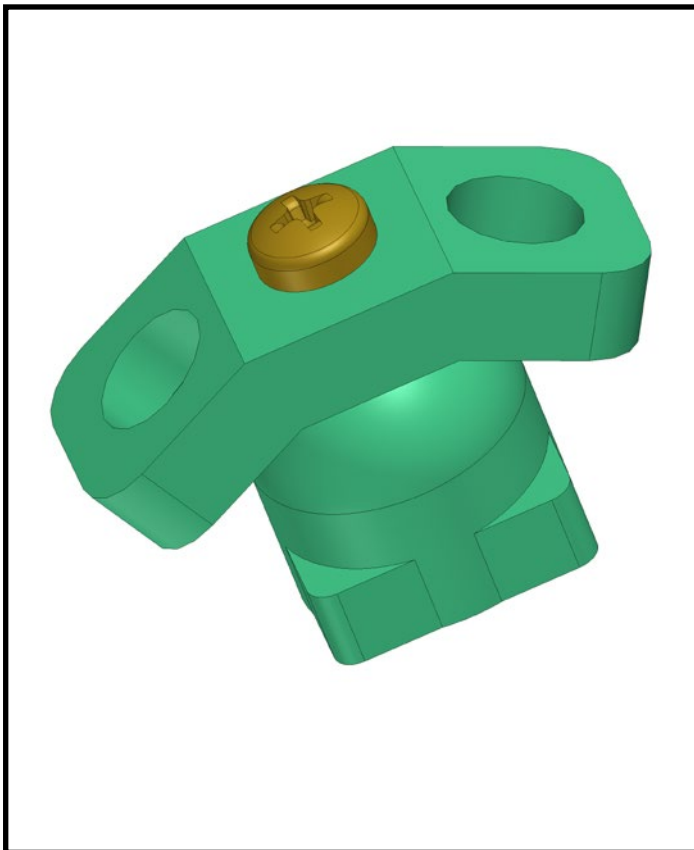
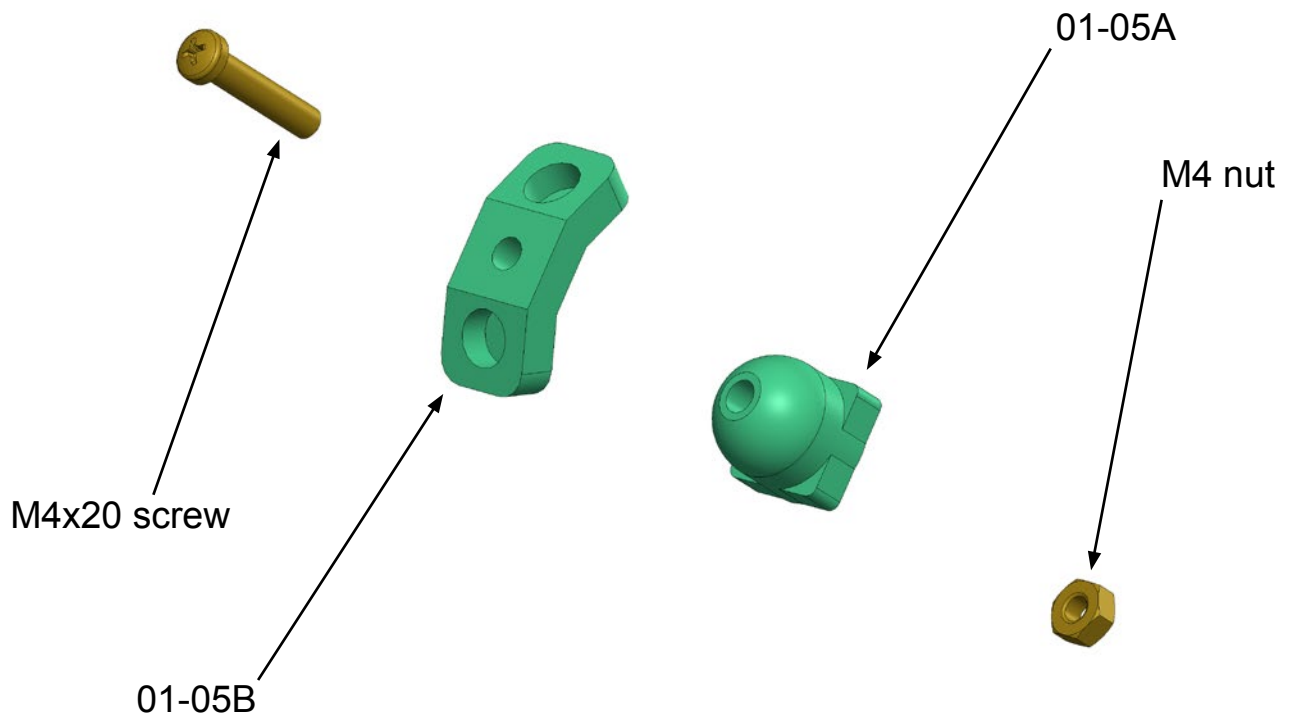
01-03



01-04

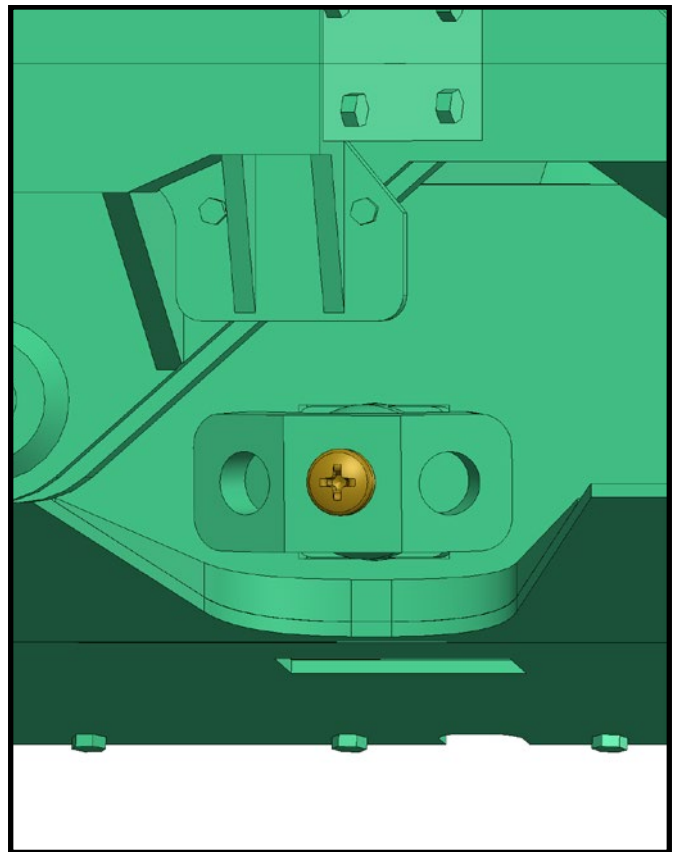
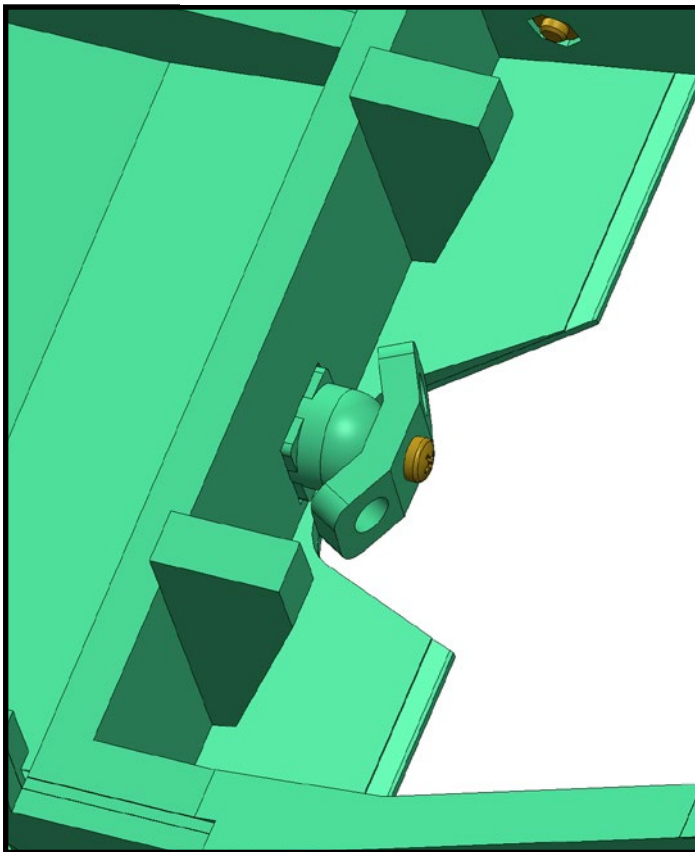
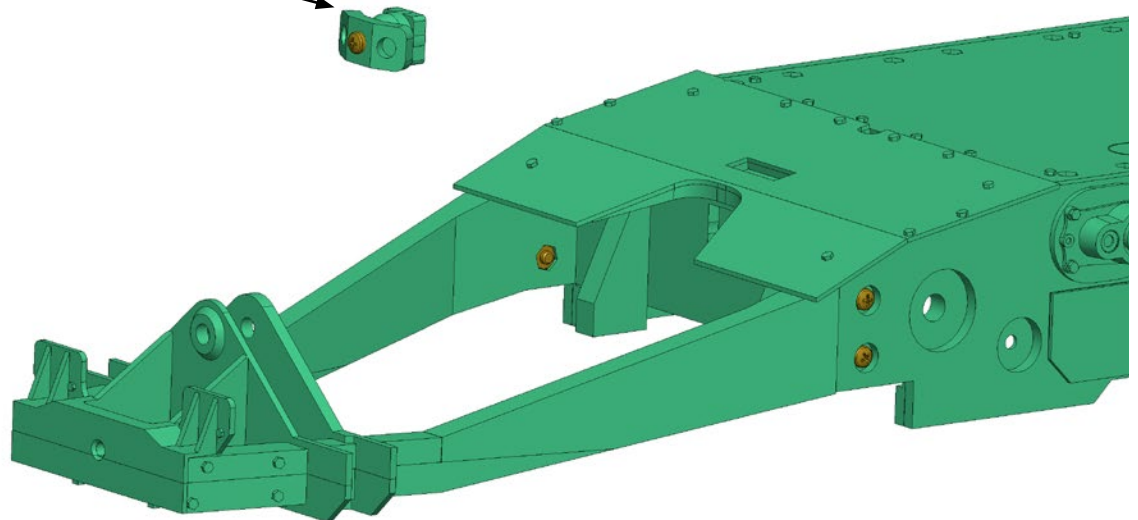


Glue parts 01-03 and 01-04 to assembly 01-01.

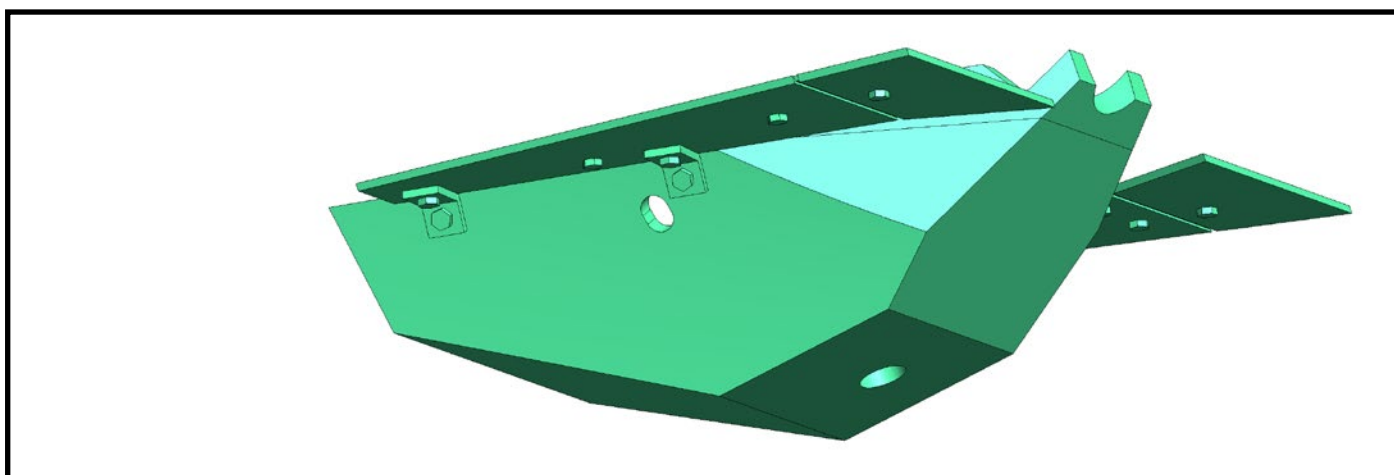
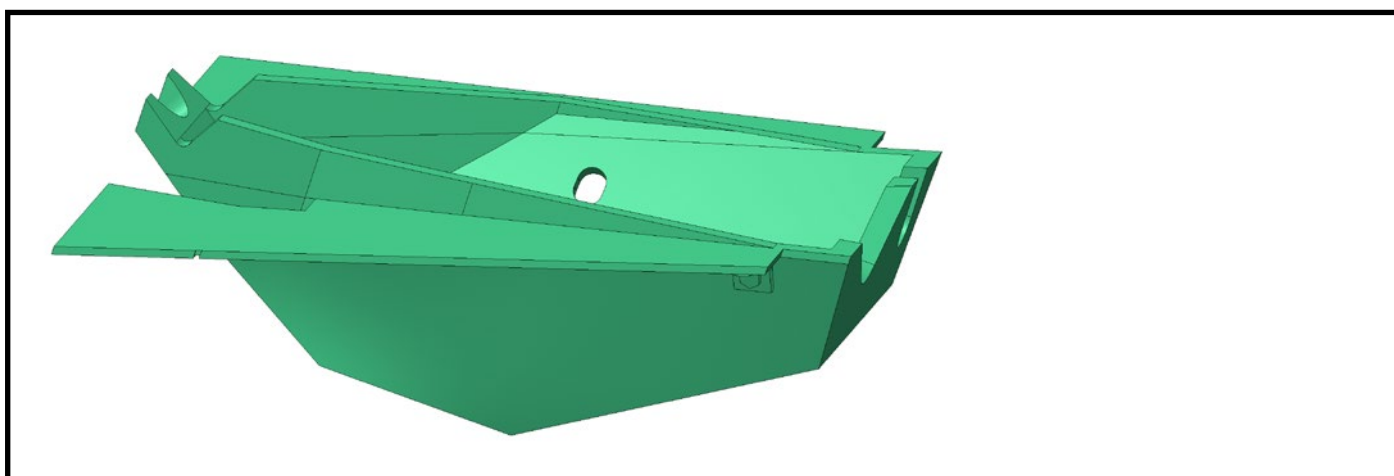
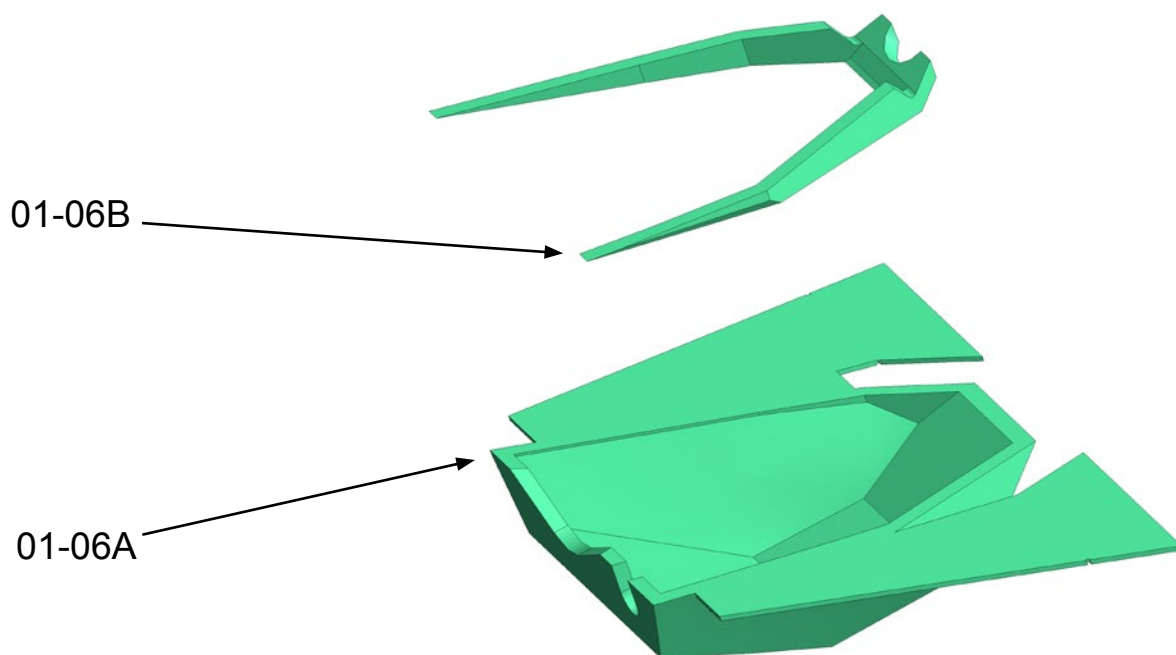


Connect parts 01-05A and 01-05B using an M4x20 screw and M4 nut.
The parts must rotate freely.

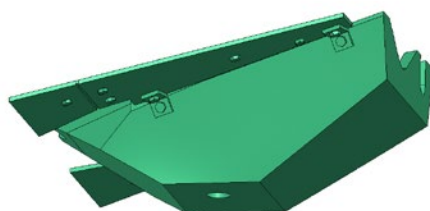
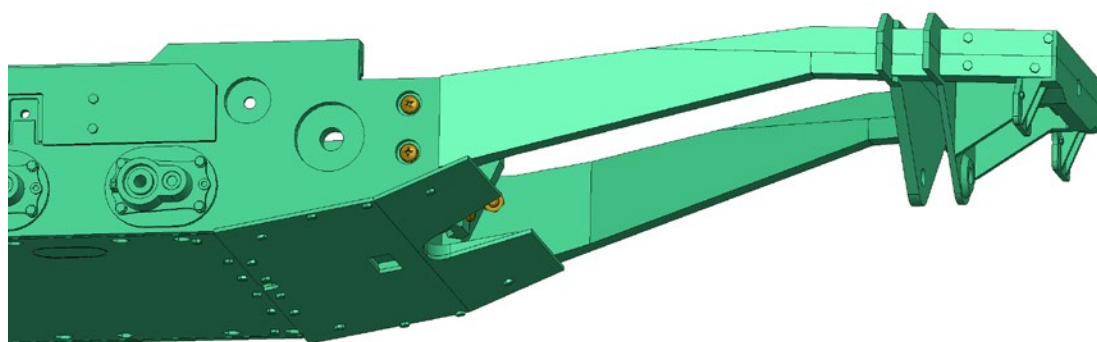
01-05 (assembled)



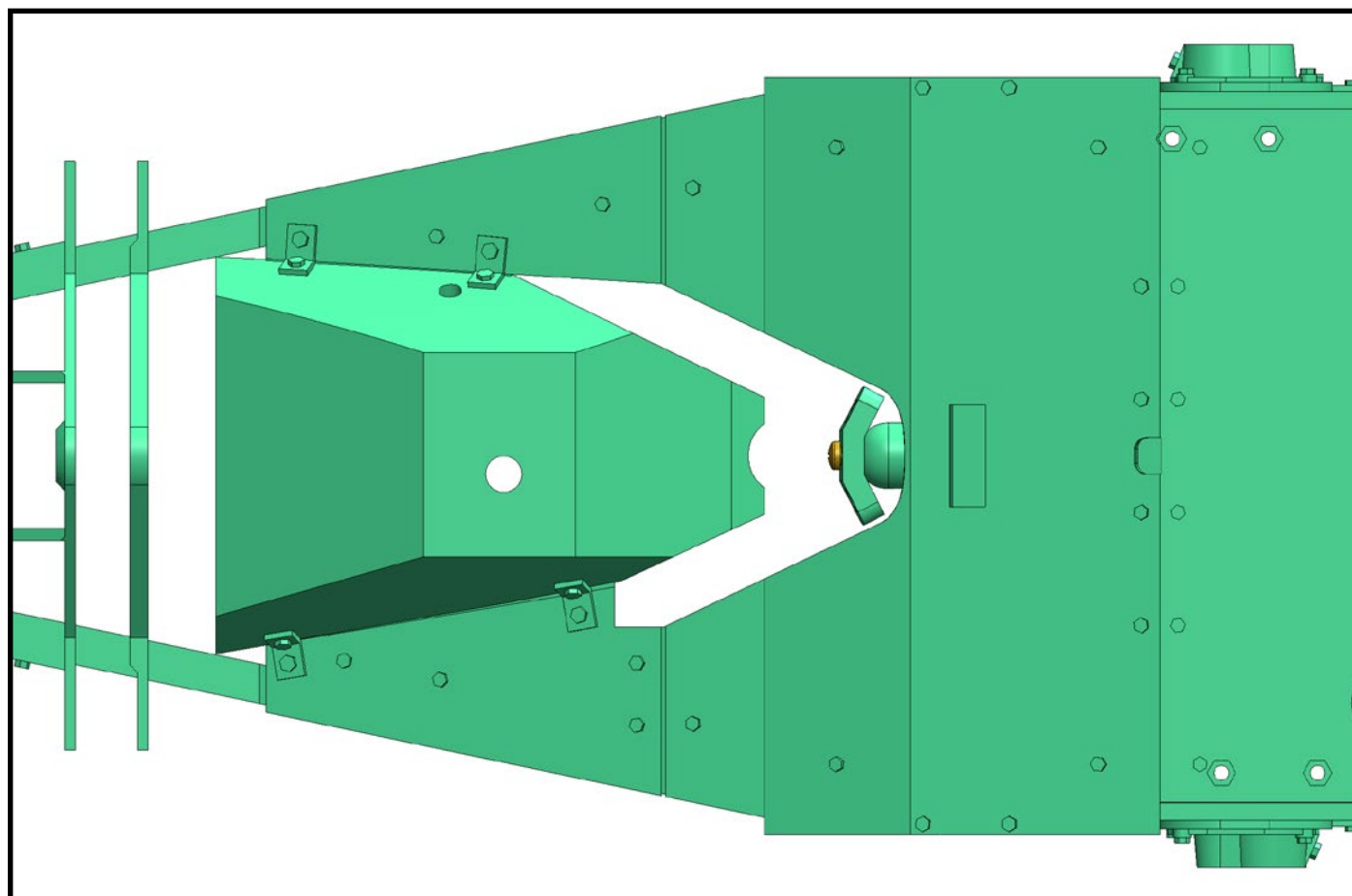
Glue assembly 01-05 to assembly 01-01.



Glue part 01-06A to part 01-06B.

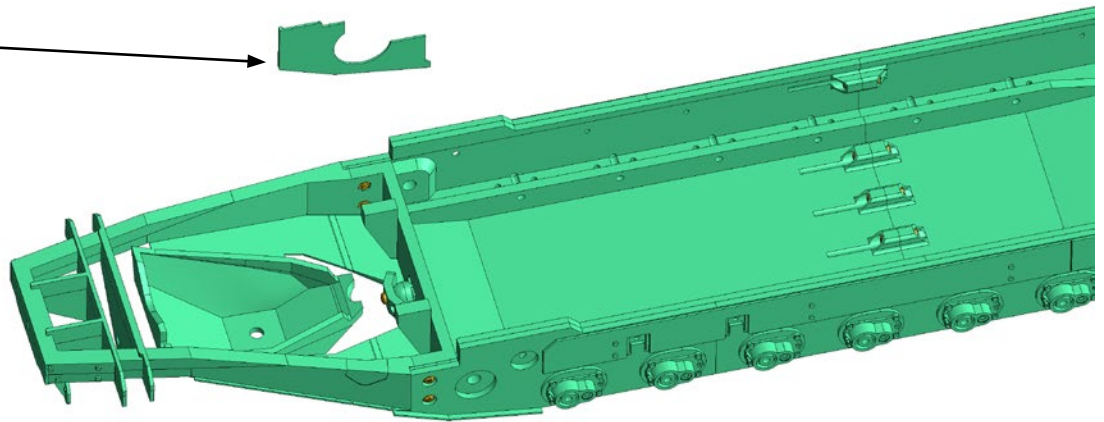


01-06A+B

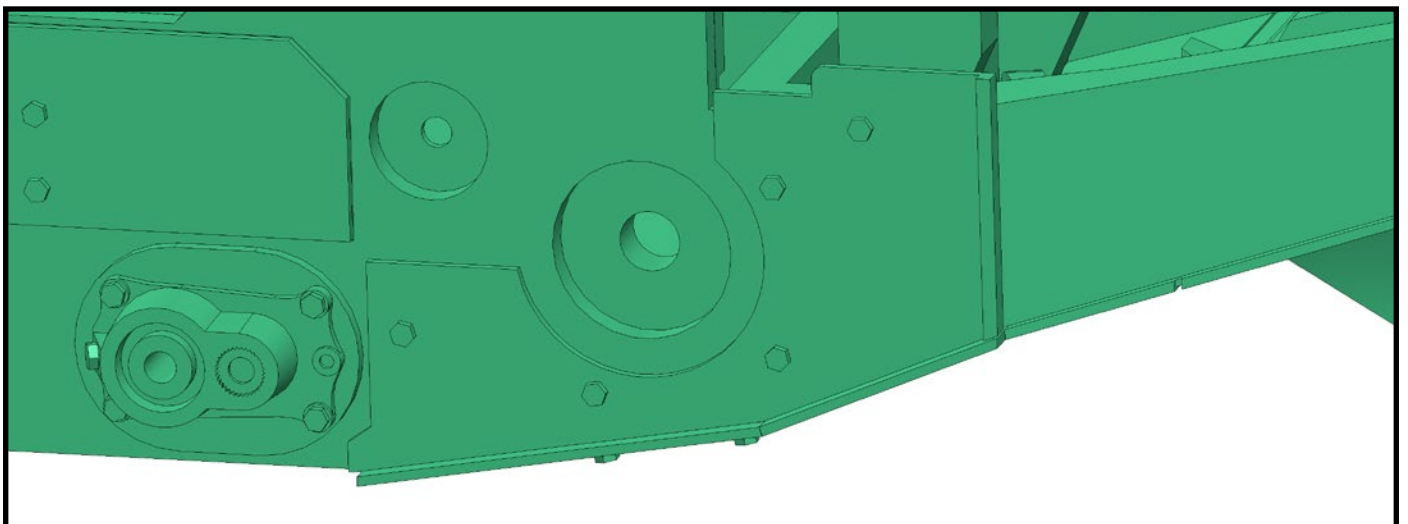
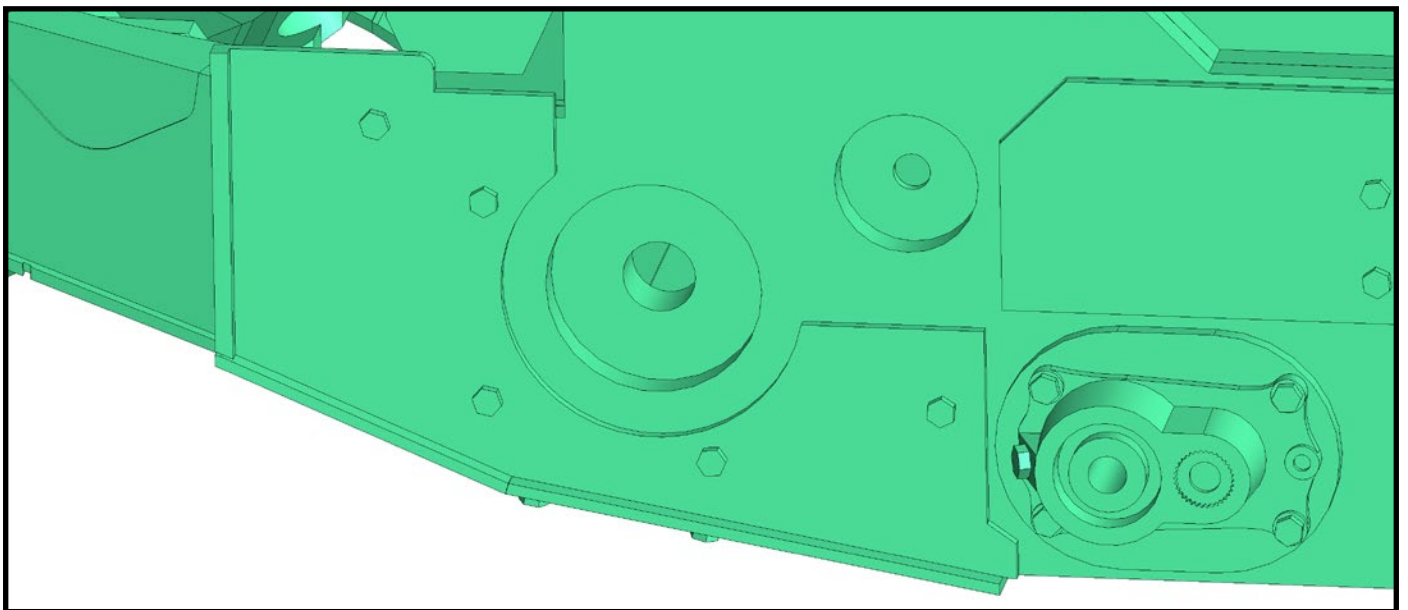


Glue assembly 01-06 to assembly 01-02.

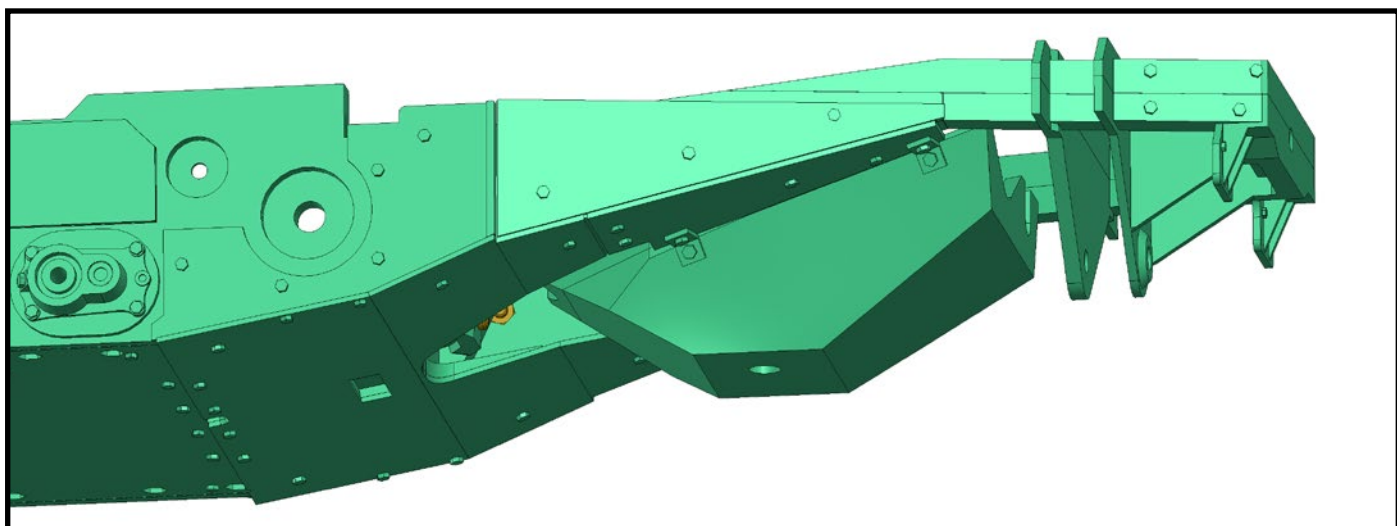
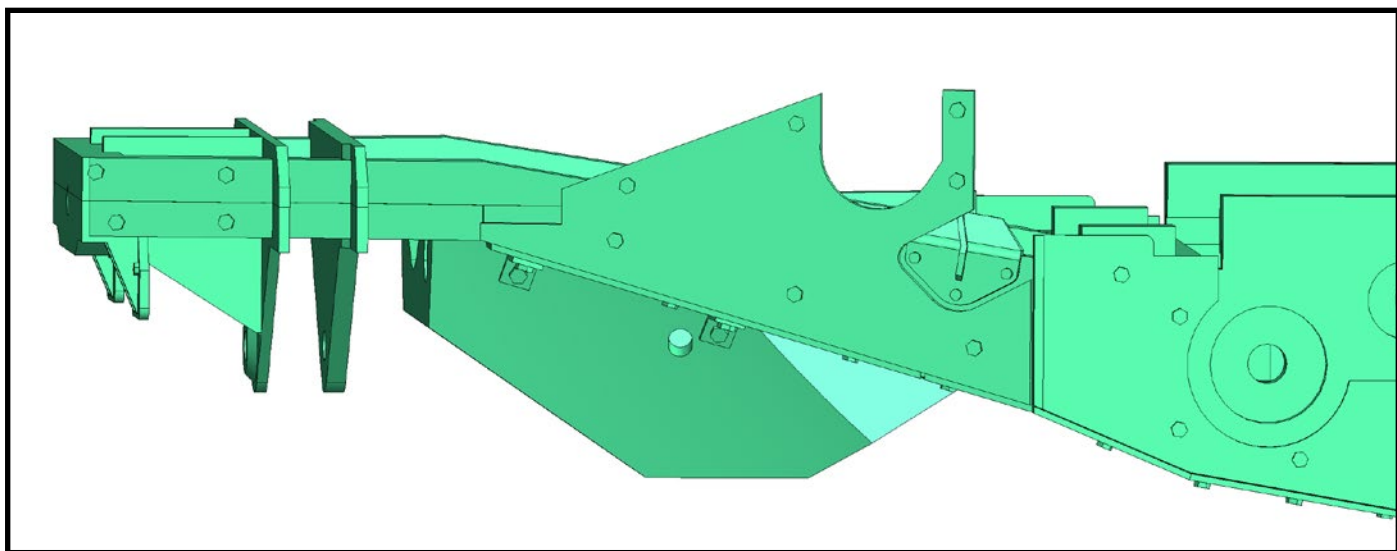
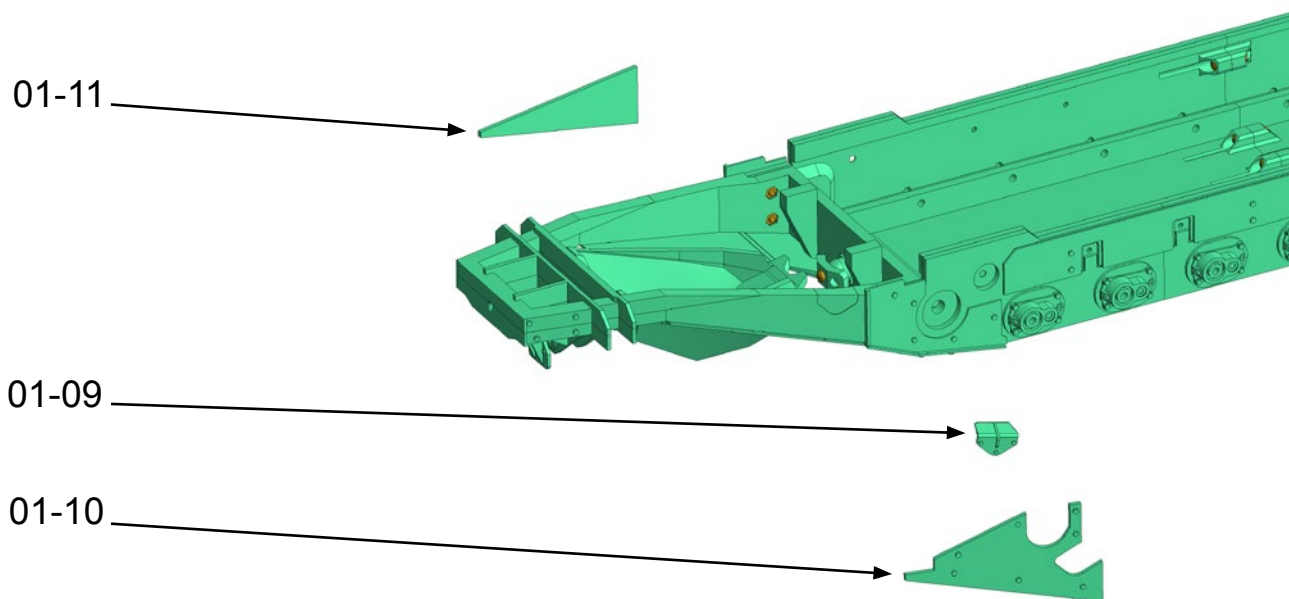
01-08



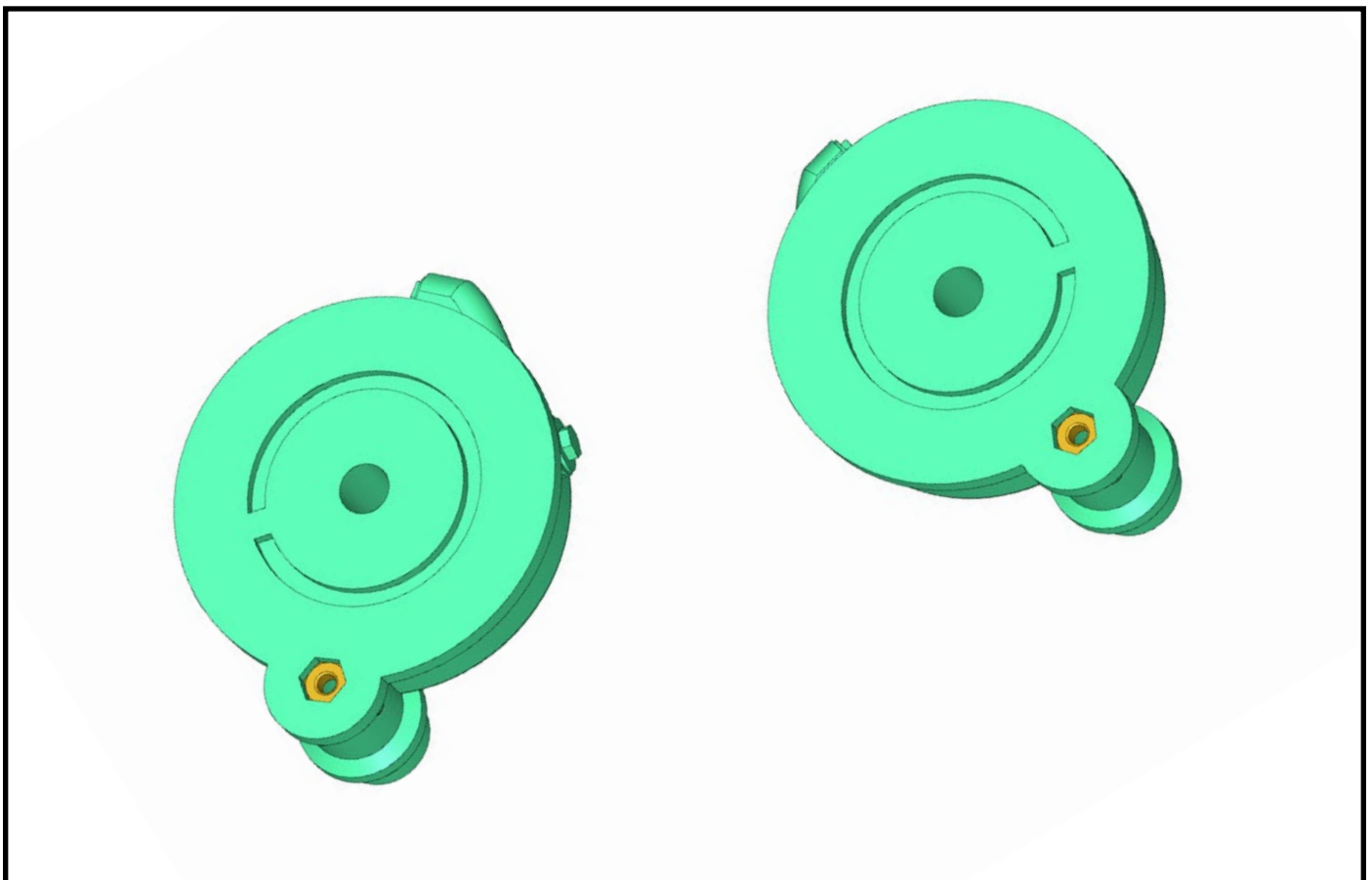
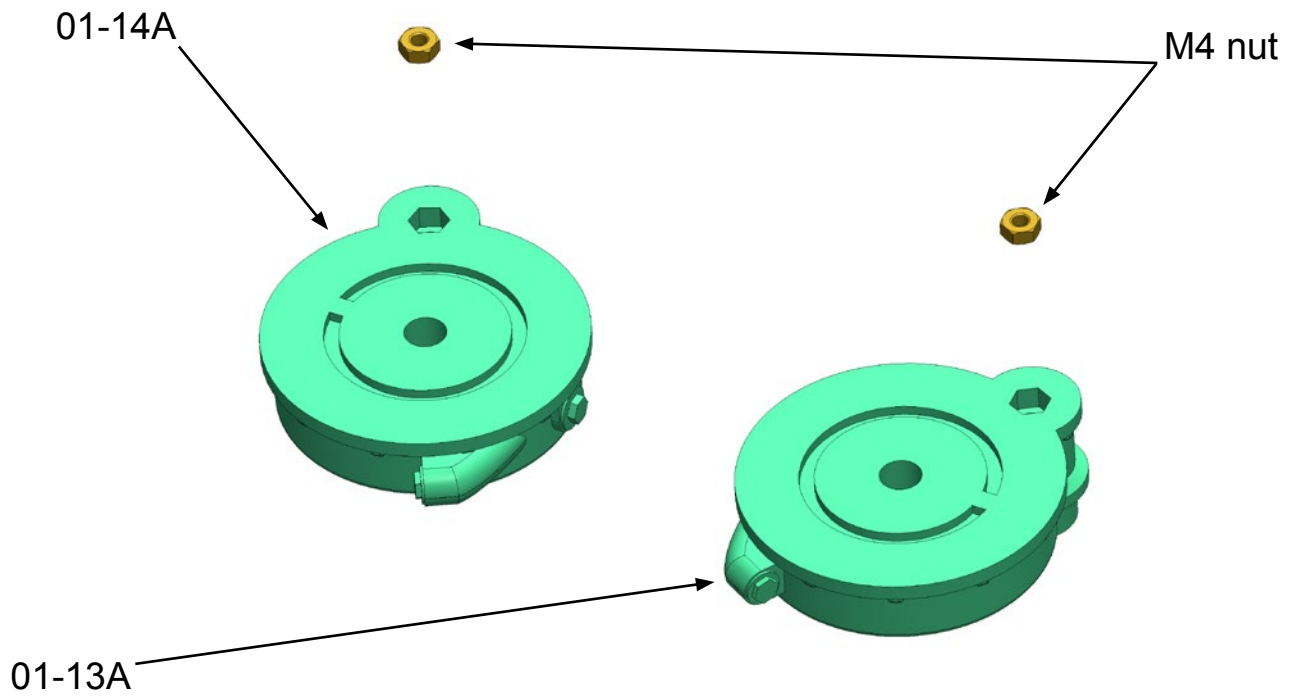
01-07



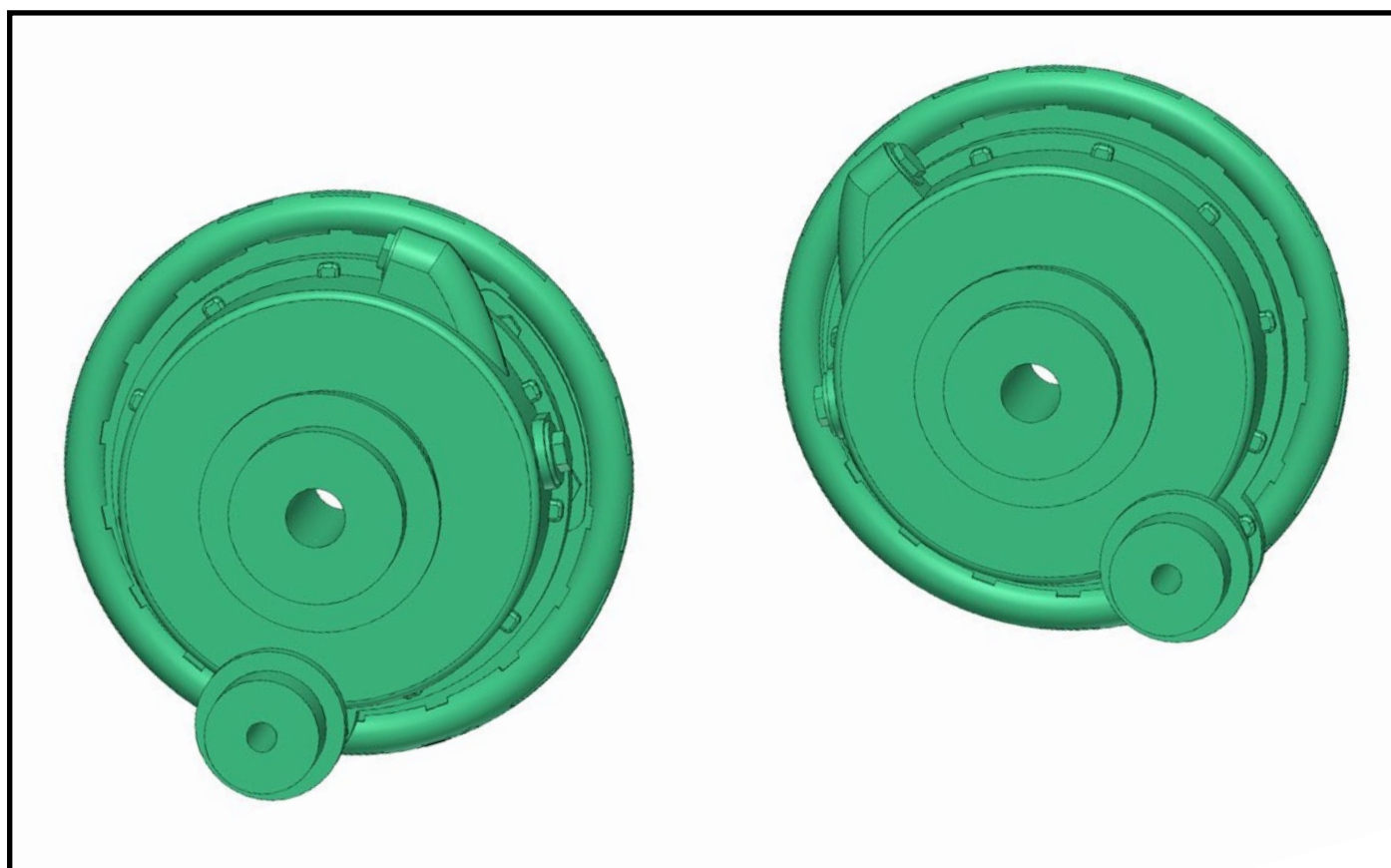
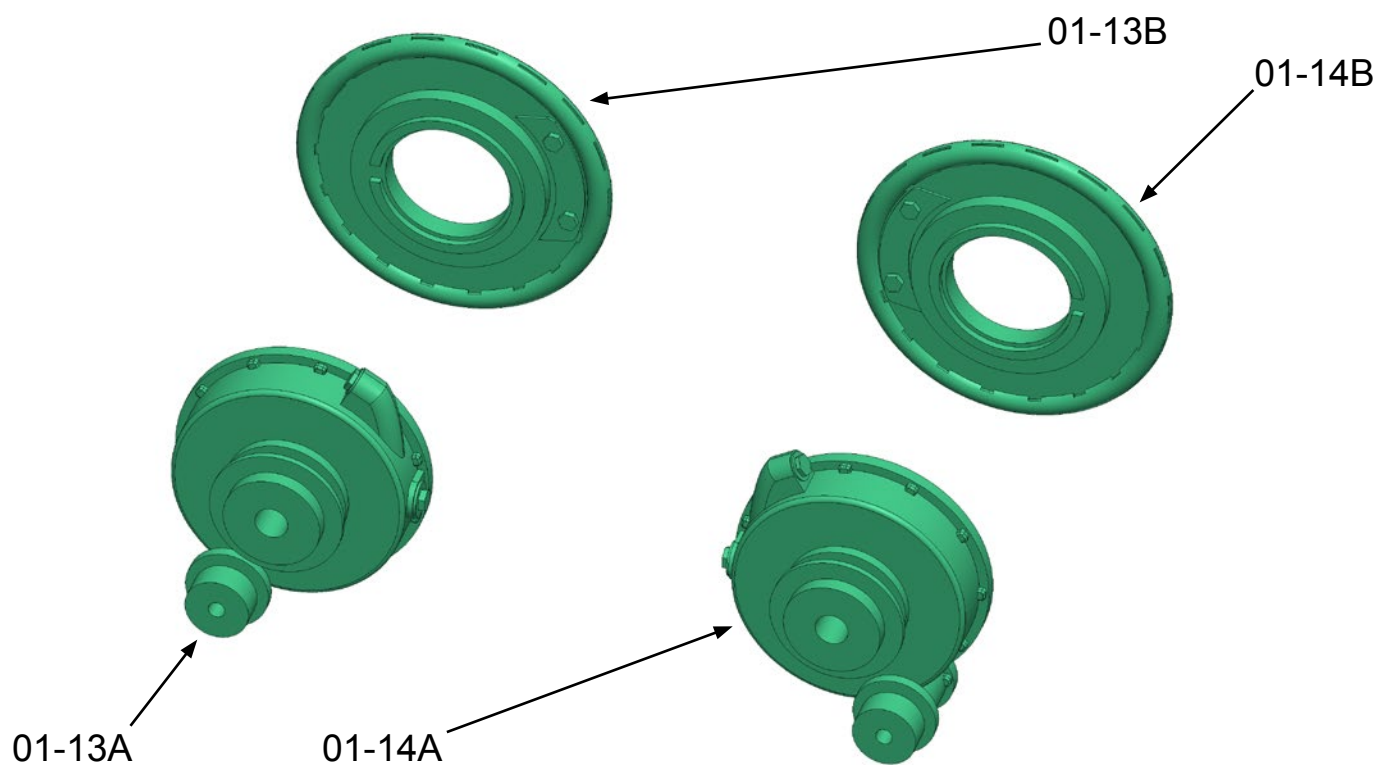
Glue parts 01-07 and 01-08 to assembly 01-01.



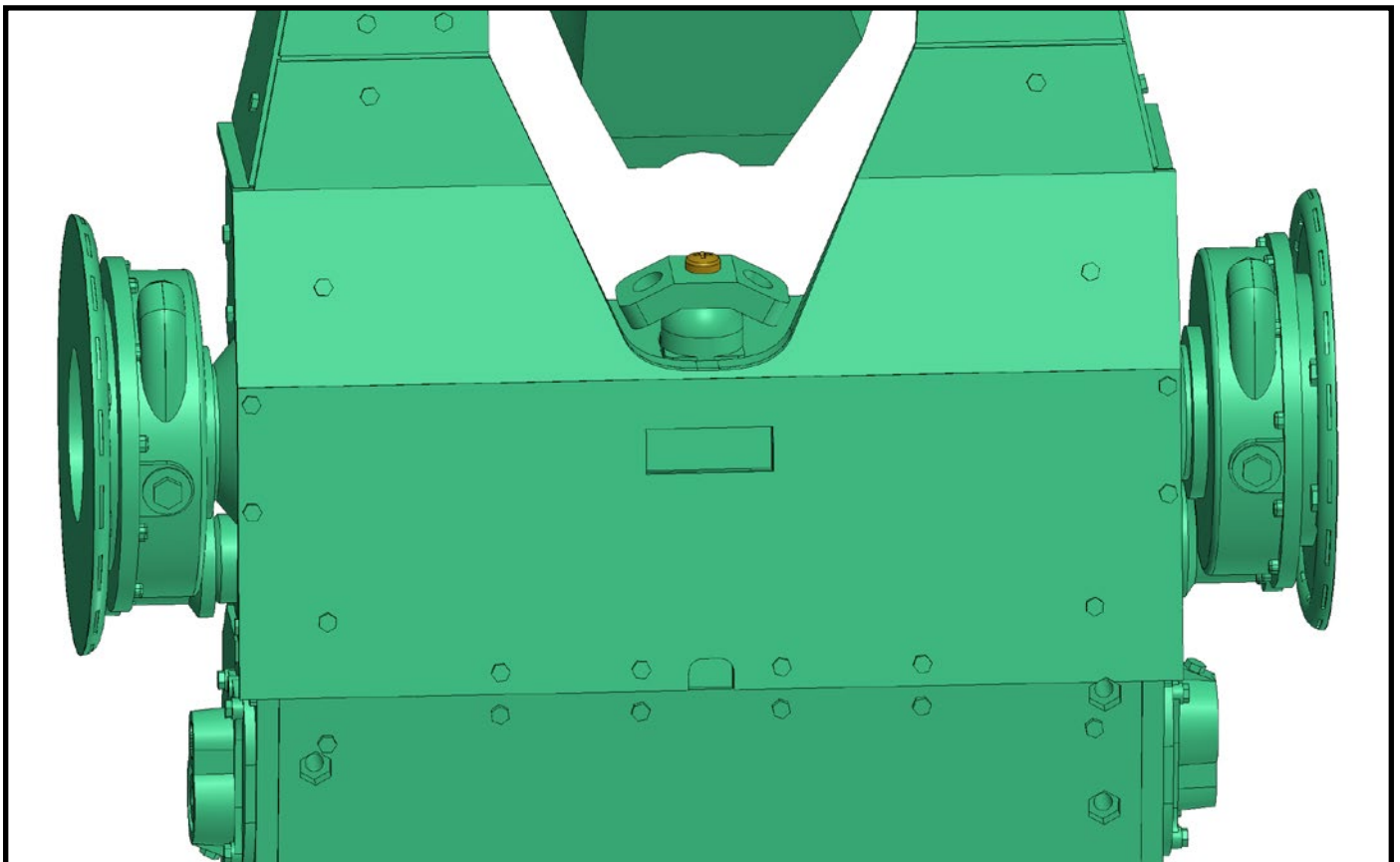
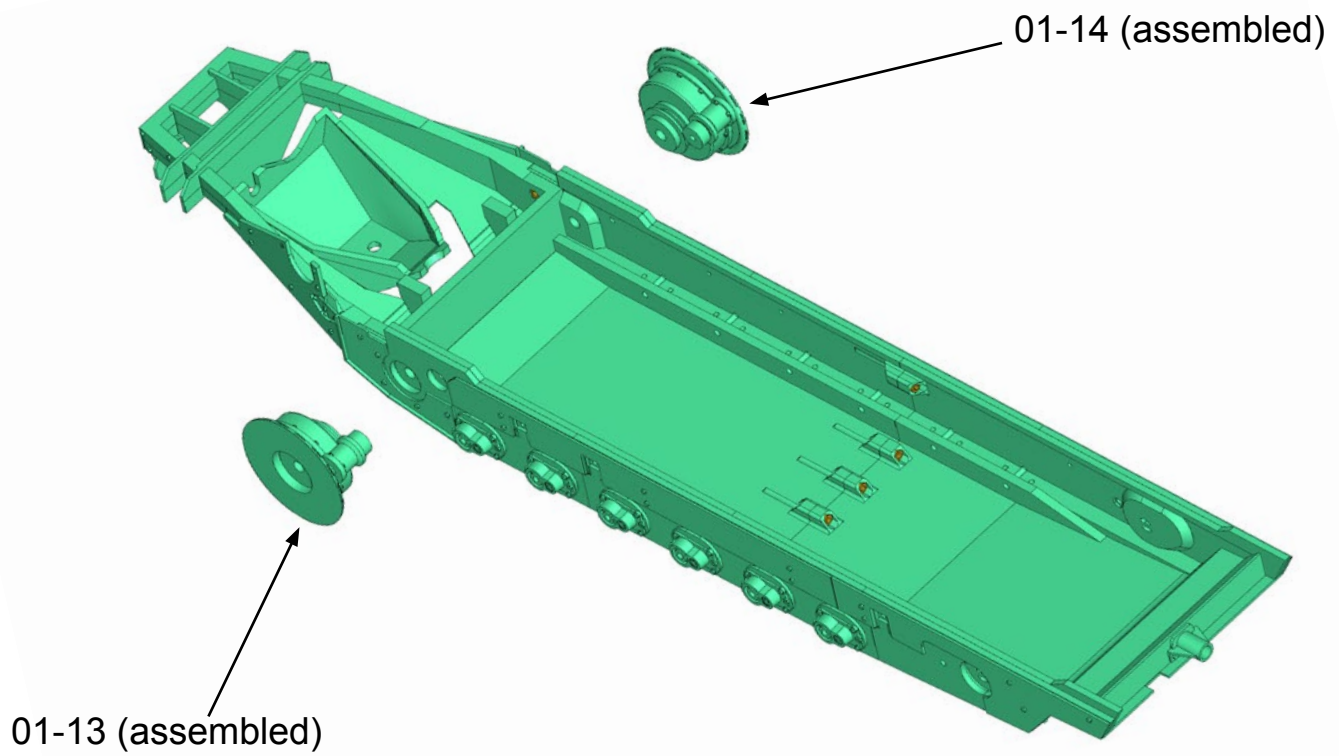
Glue part 01-09 to assembly 01-02. Then glue parts 01-10 and 01-11.



Insert M4 nuts into parts 01-13A and 01-14A.

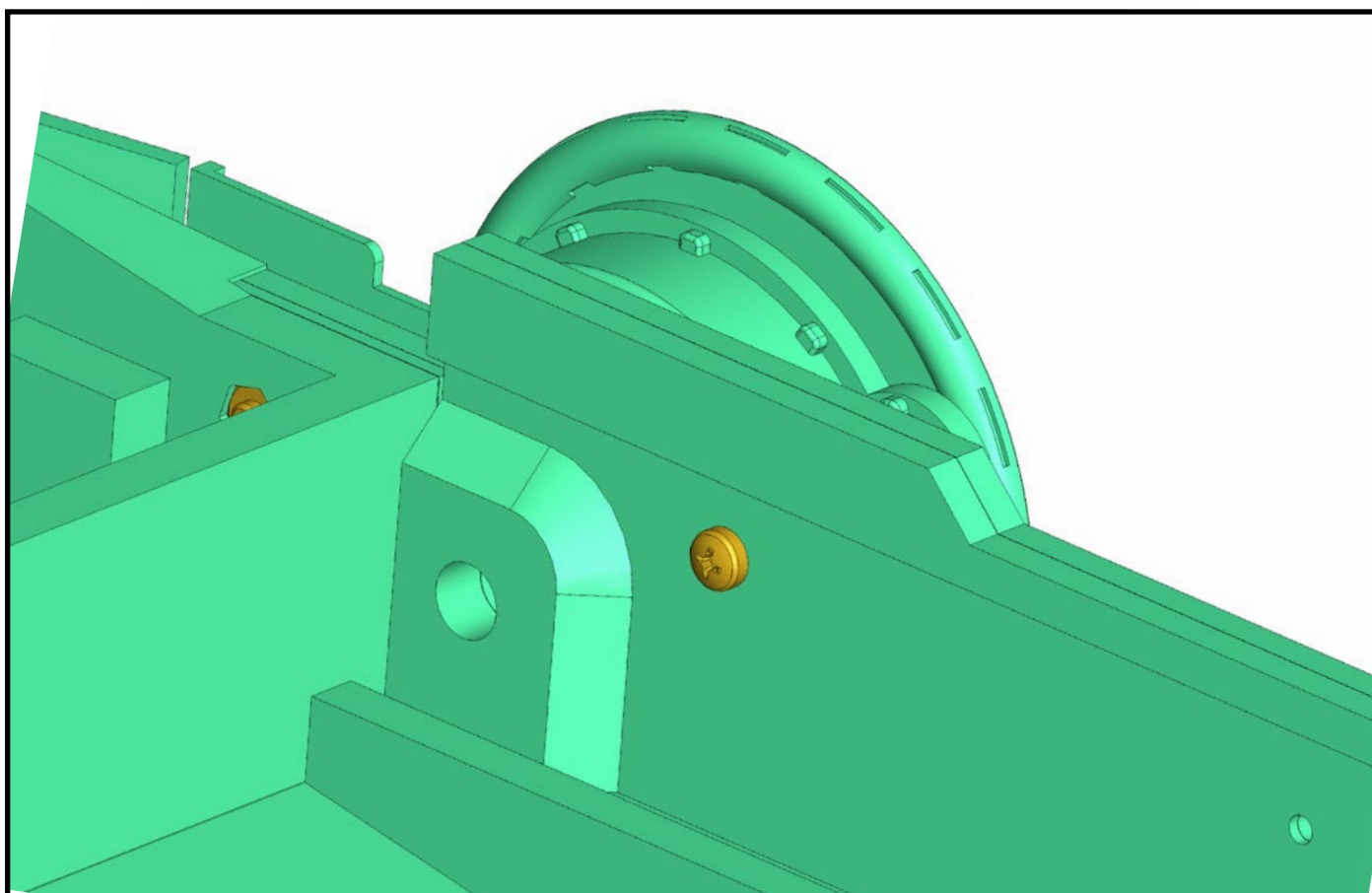
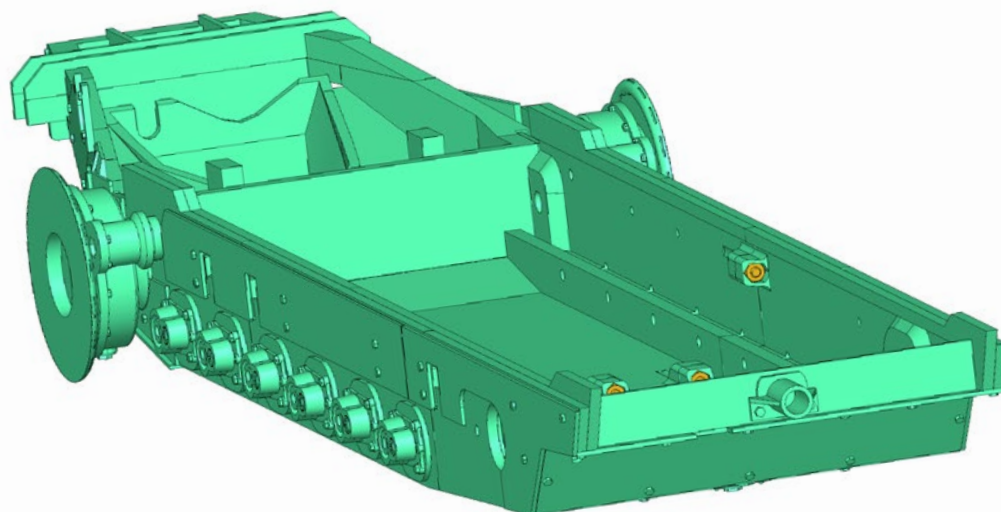


Glue part 01-13B to part 01-13A. Glue part 01-14B to part 01-14A.



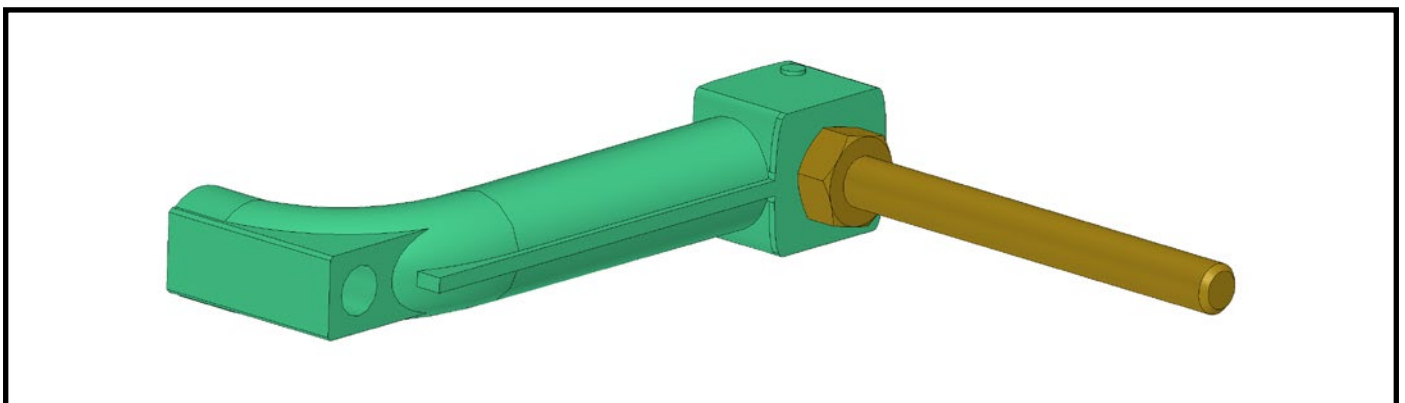
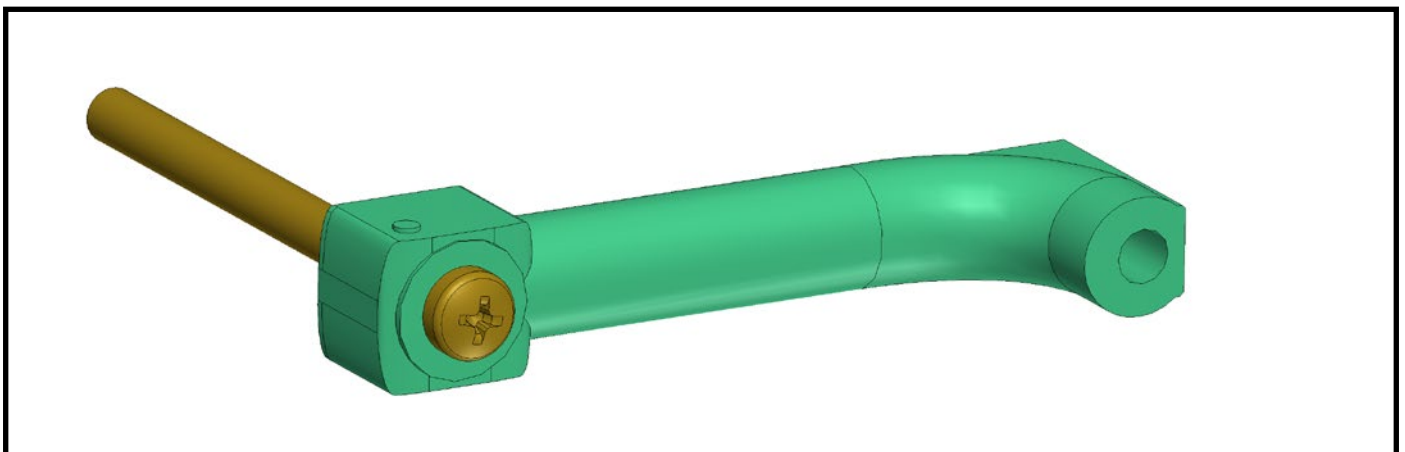
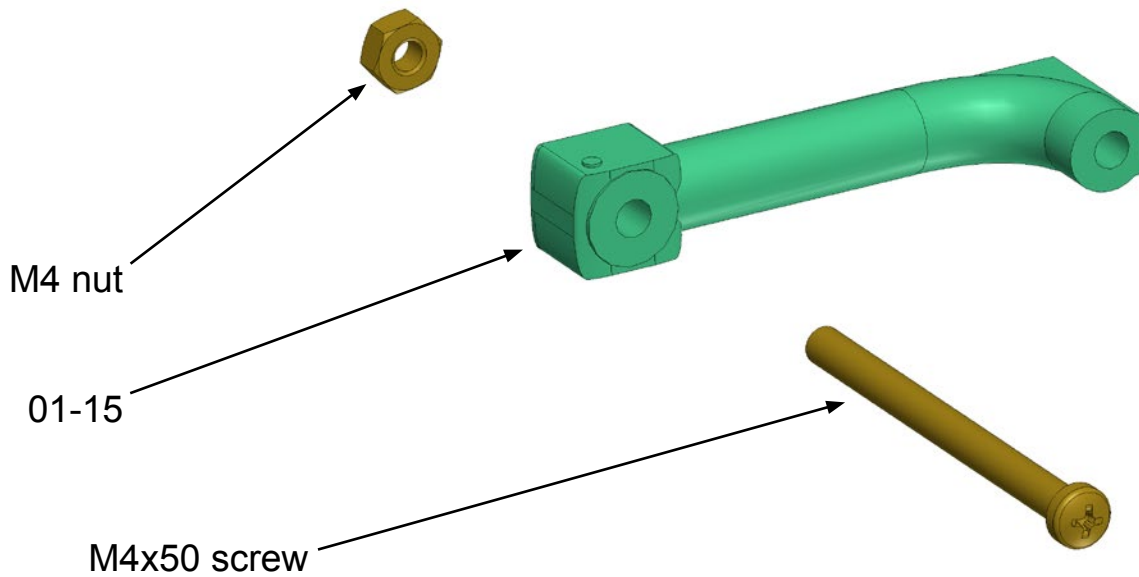
Glue assemblies 01-13 and 01-14 to assembly 01-01.

M4x30 screw

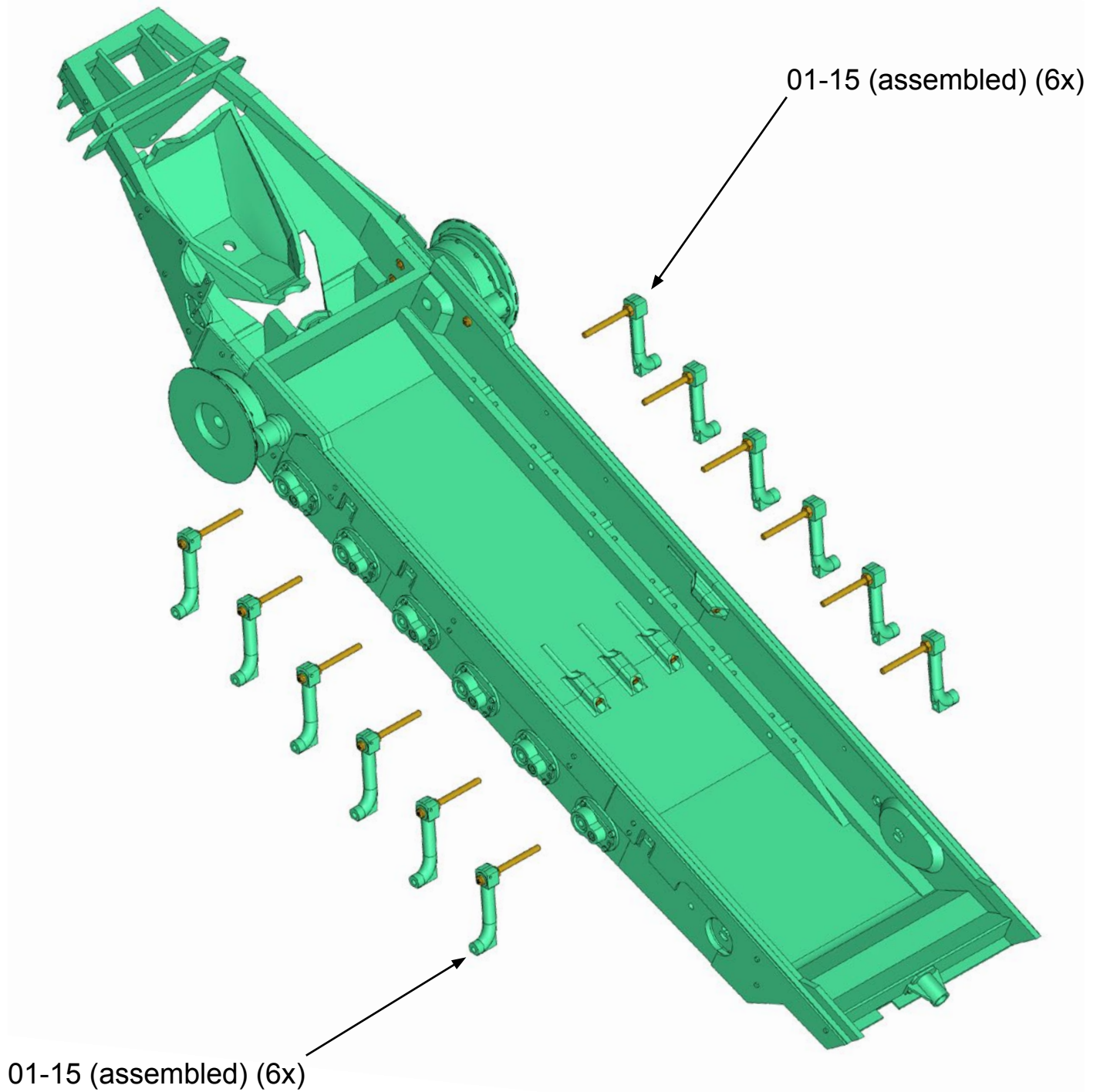


Insert M4x30 screws into parts 01-13A and 01-14A.

12x



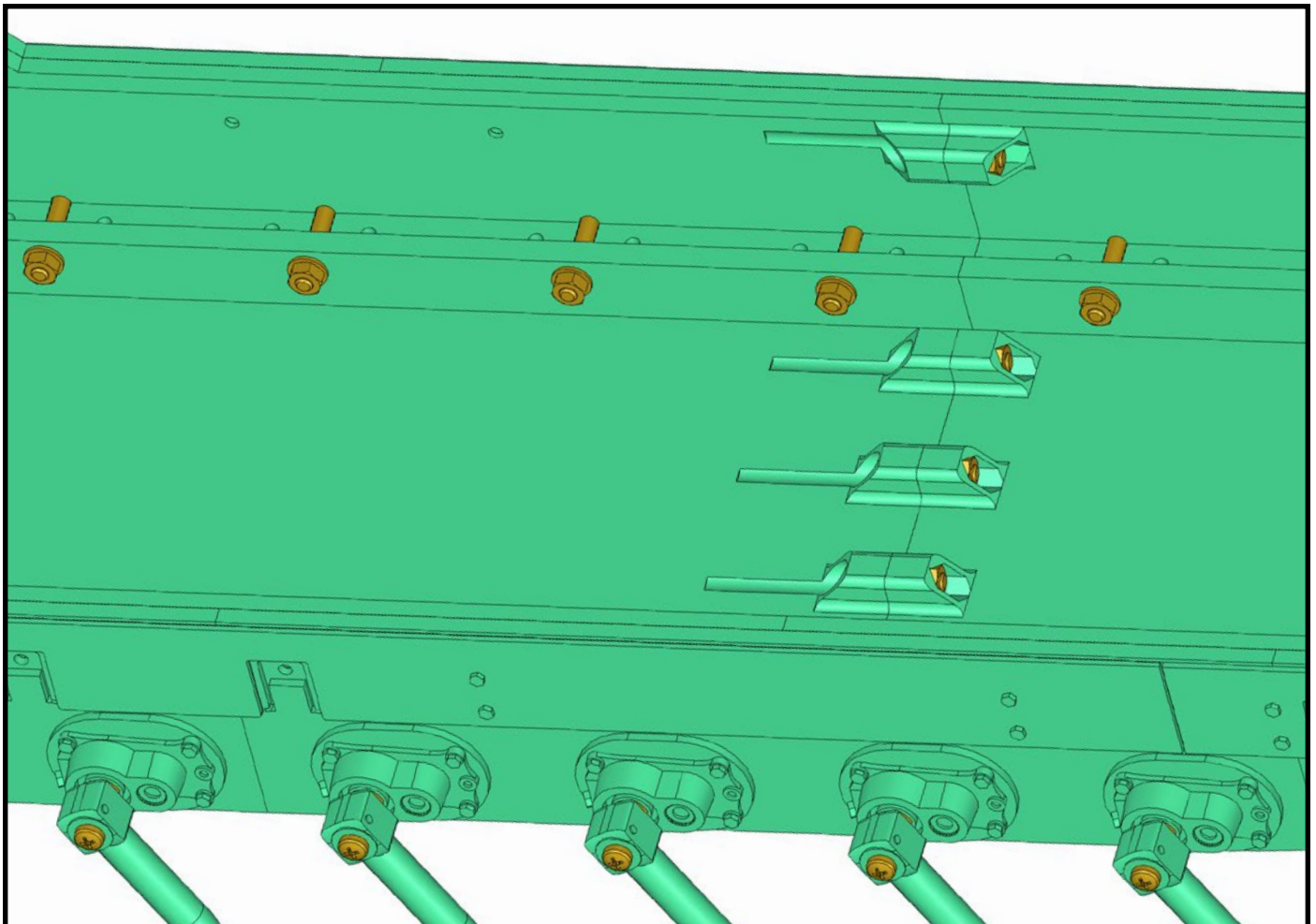
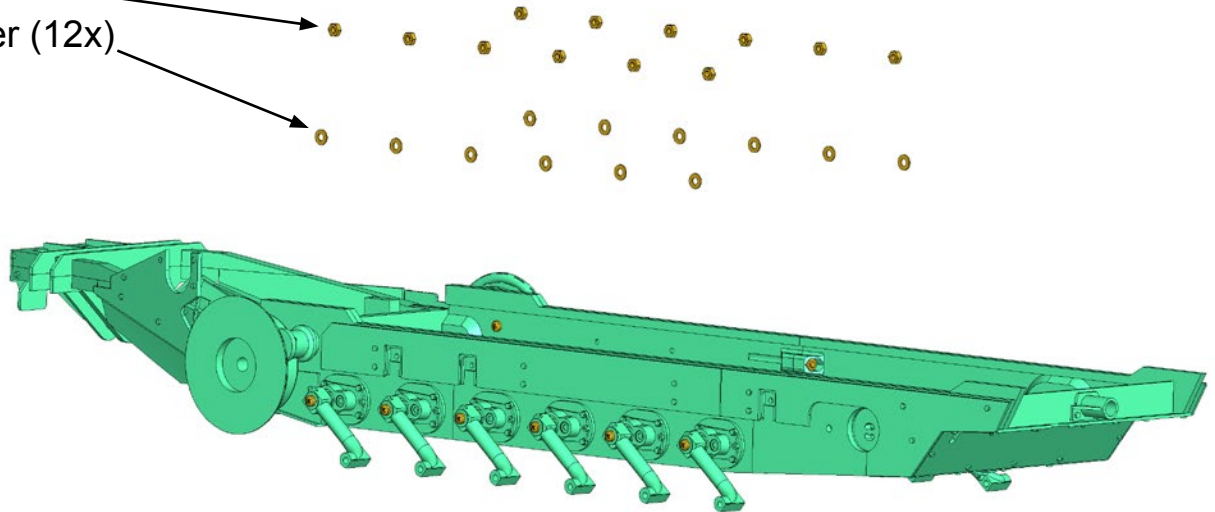
Assemble the suspension arm from part 01-15, M4x50 screw and M4 nut.
Repeat 12 times.



Insert assemblies 01-15 into assembly 01-01

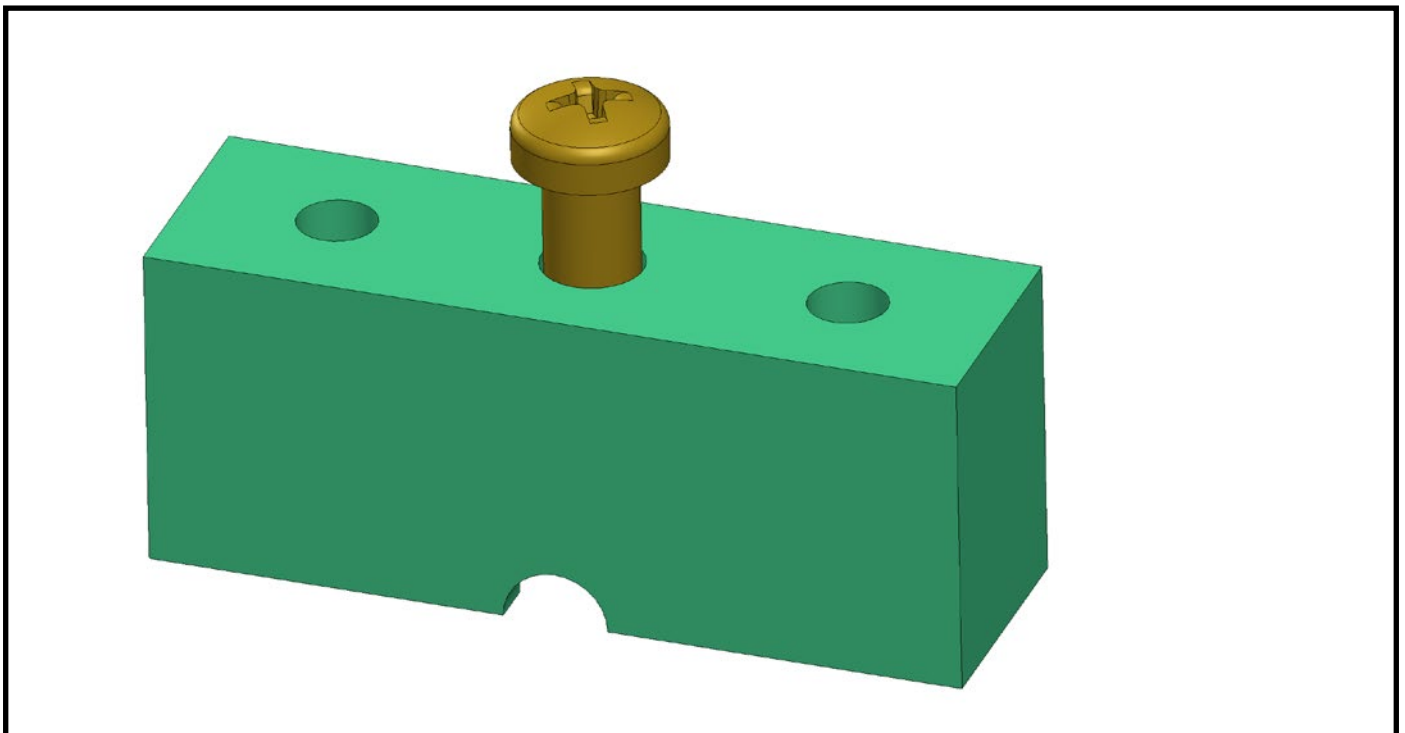
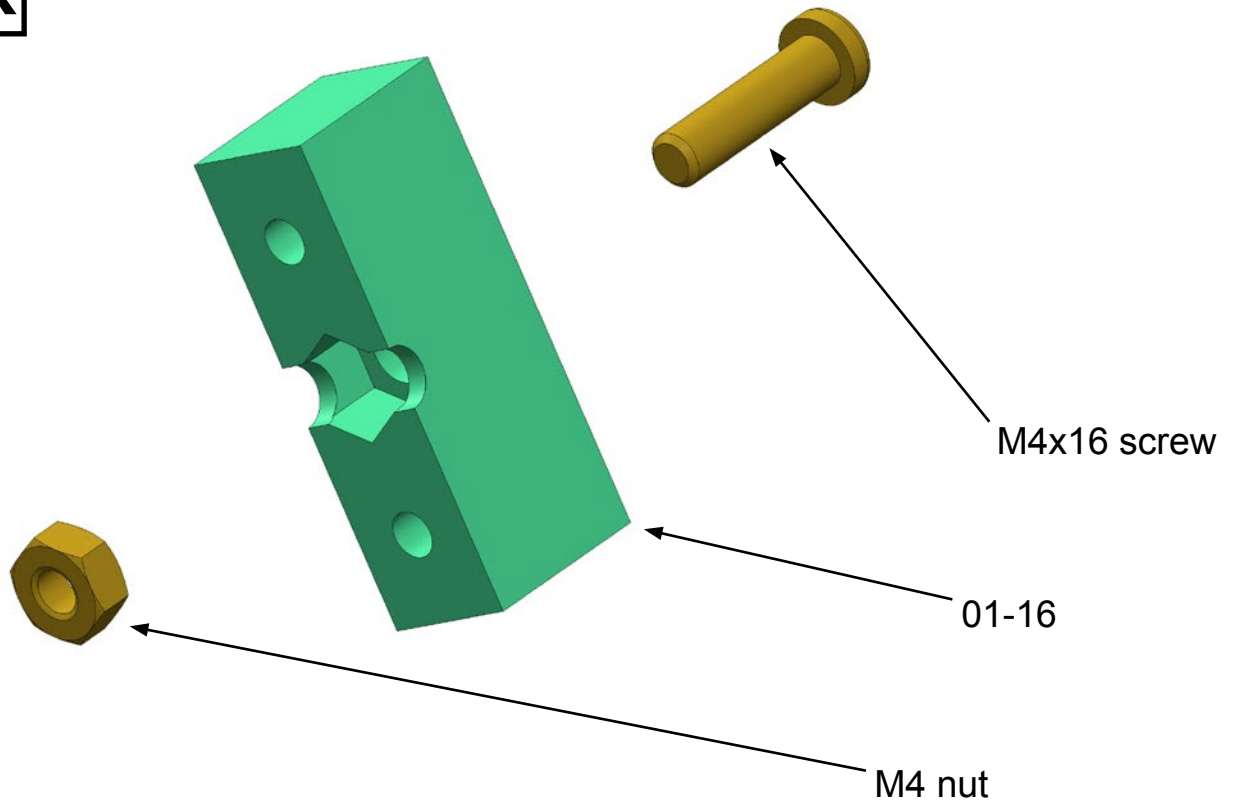
M4 nut (12x)

M4 washer (12x)

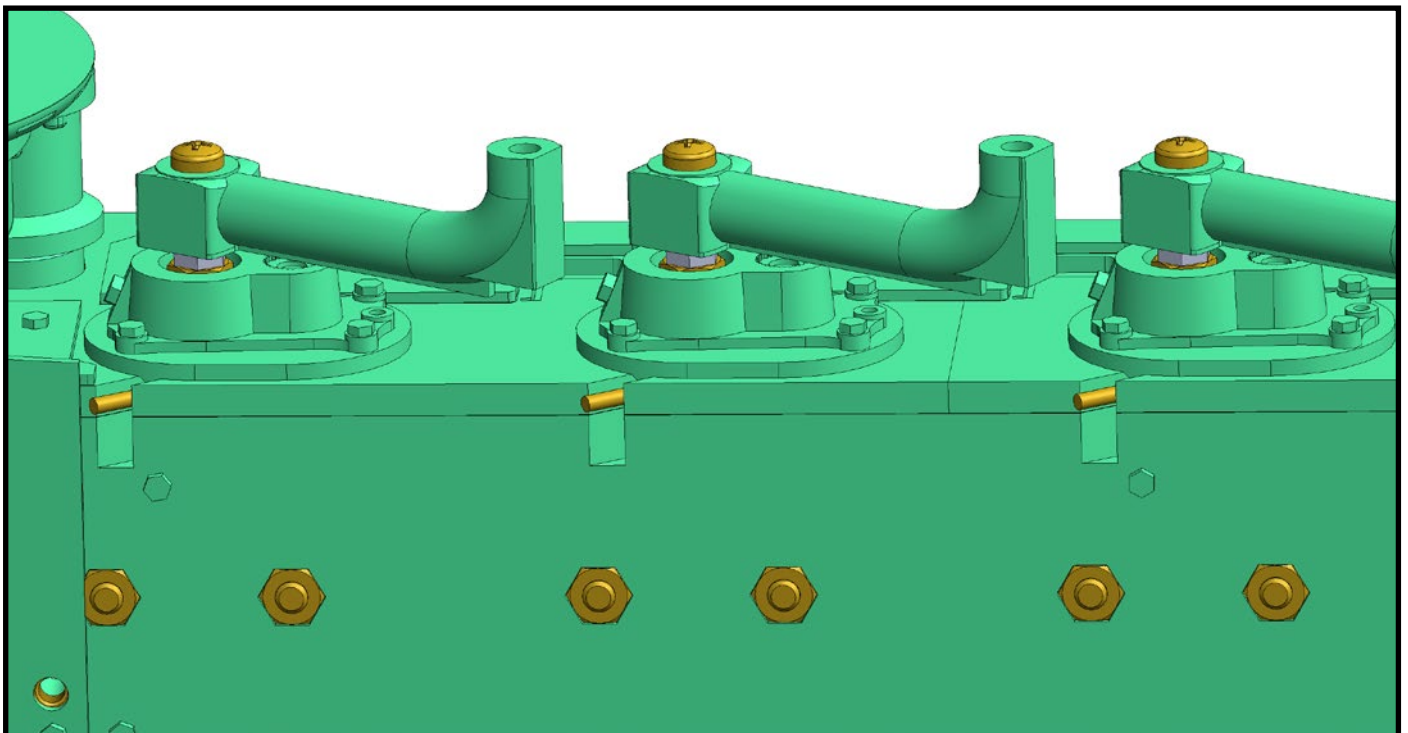
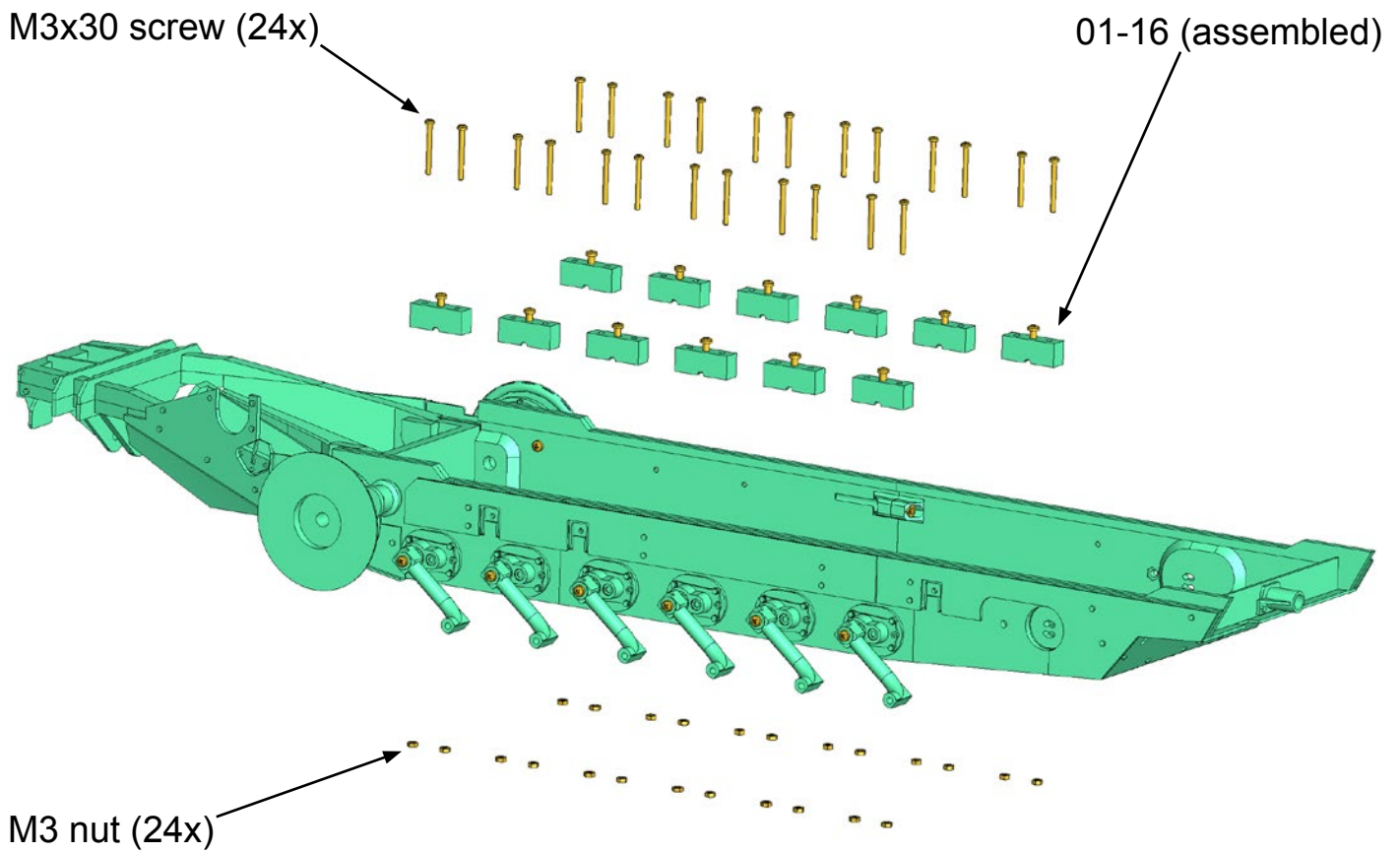


Secure assemblies 01-15 using M4 washers and M4 nuts.

12x

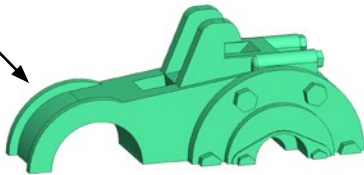


Insert an M4 nut into part 01-16 and an M4x16 screw from the other side.
Repeat 12 times.

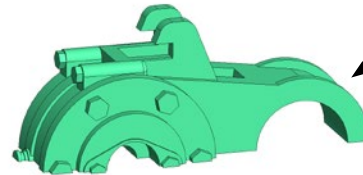


Insert assemblies 01-16 into assembly 01-01.
Secure them using M3x30 screws and M3 nuts.

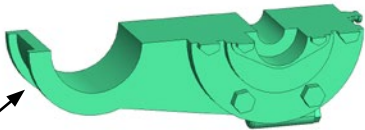
01-19A



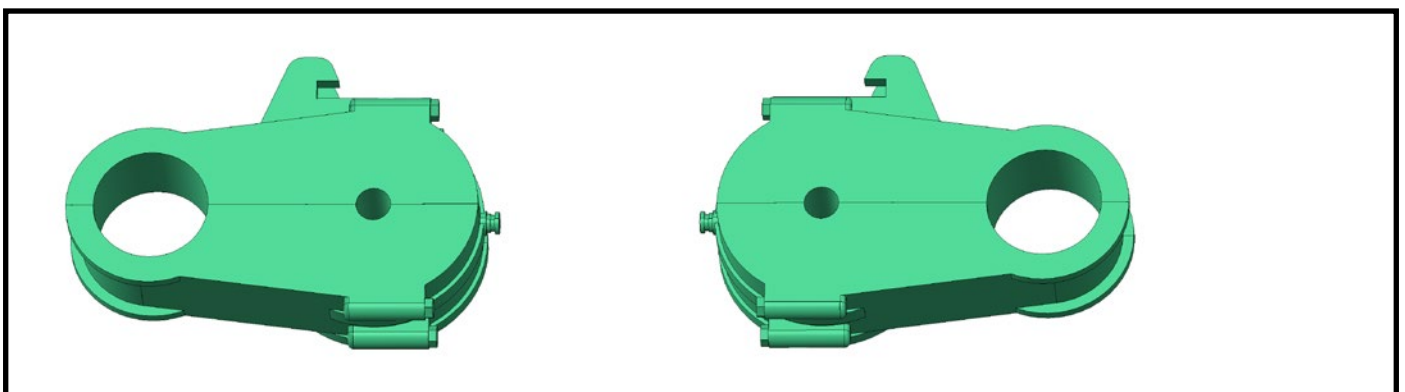
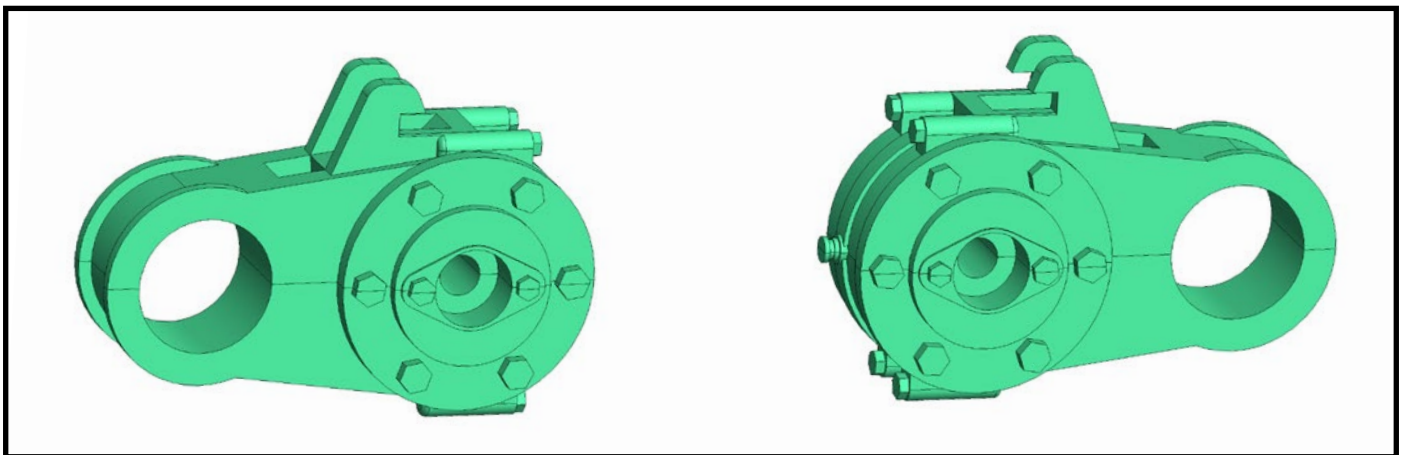
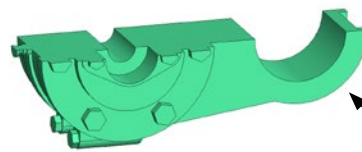
01-18A



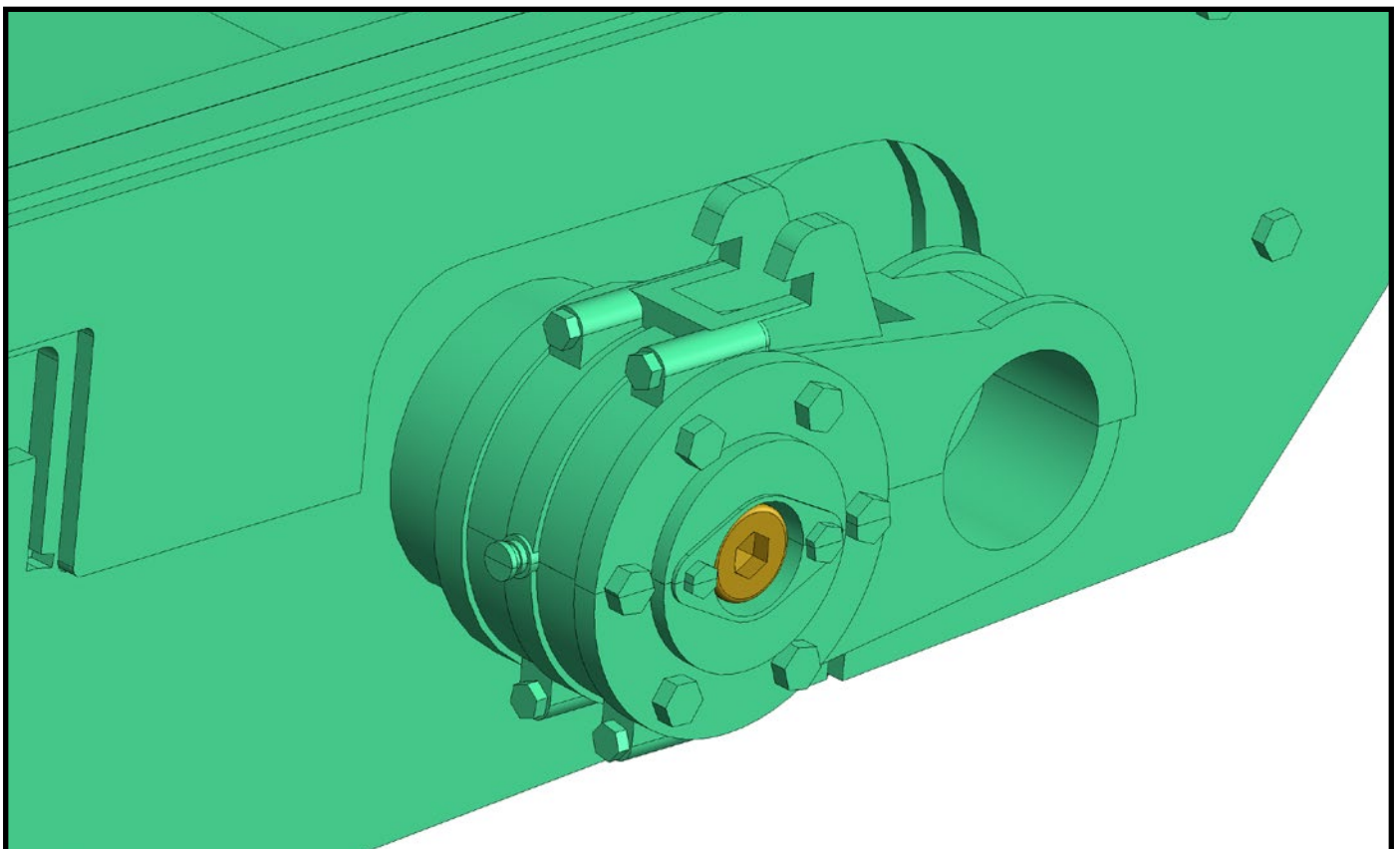
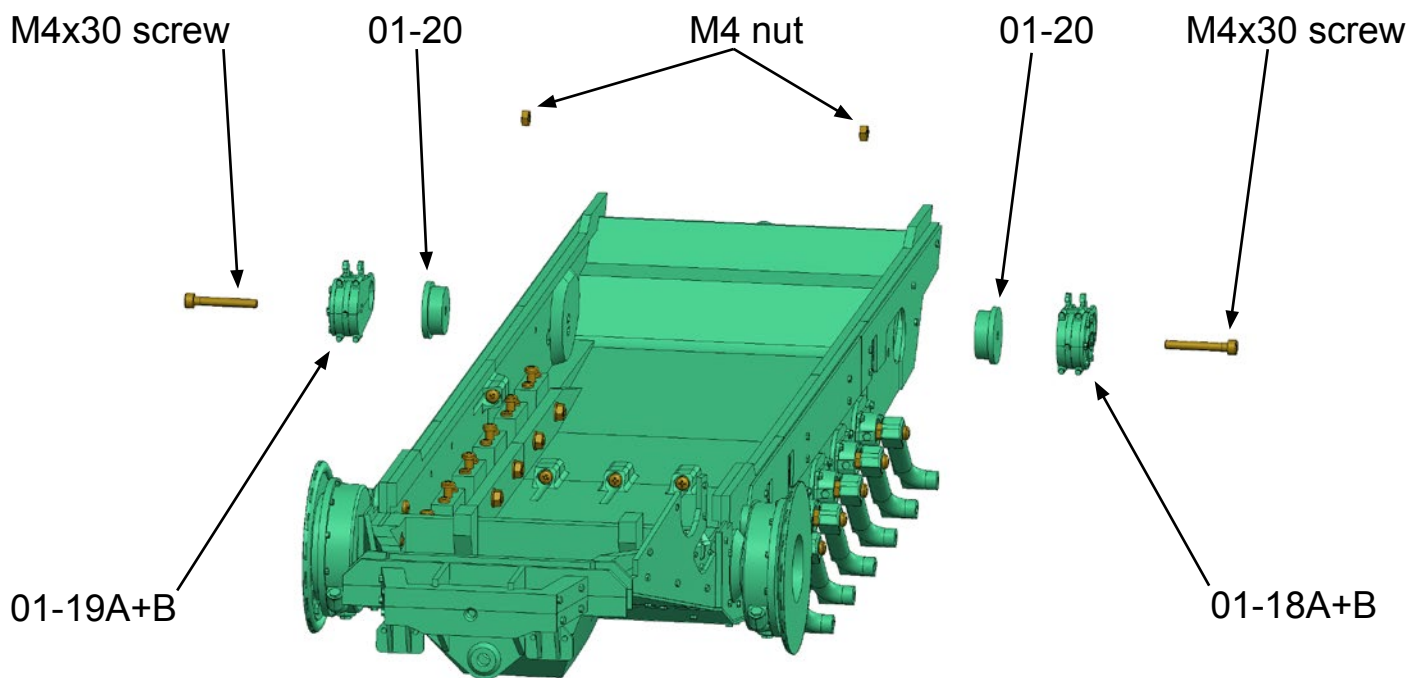
01-19B



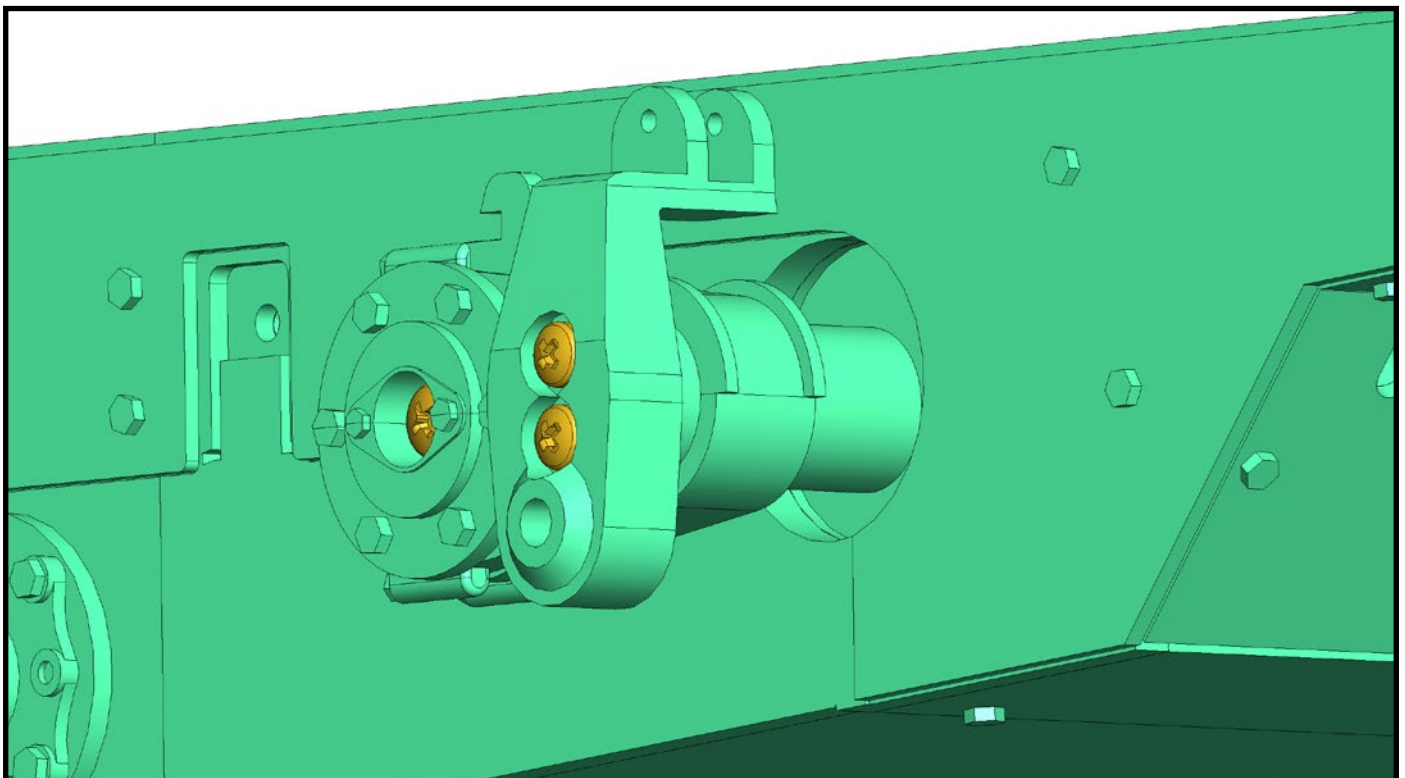
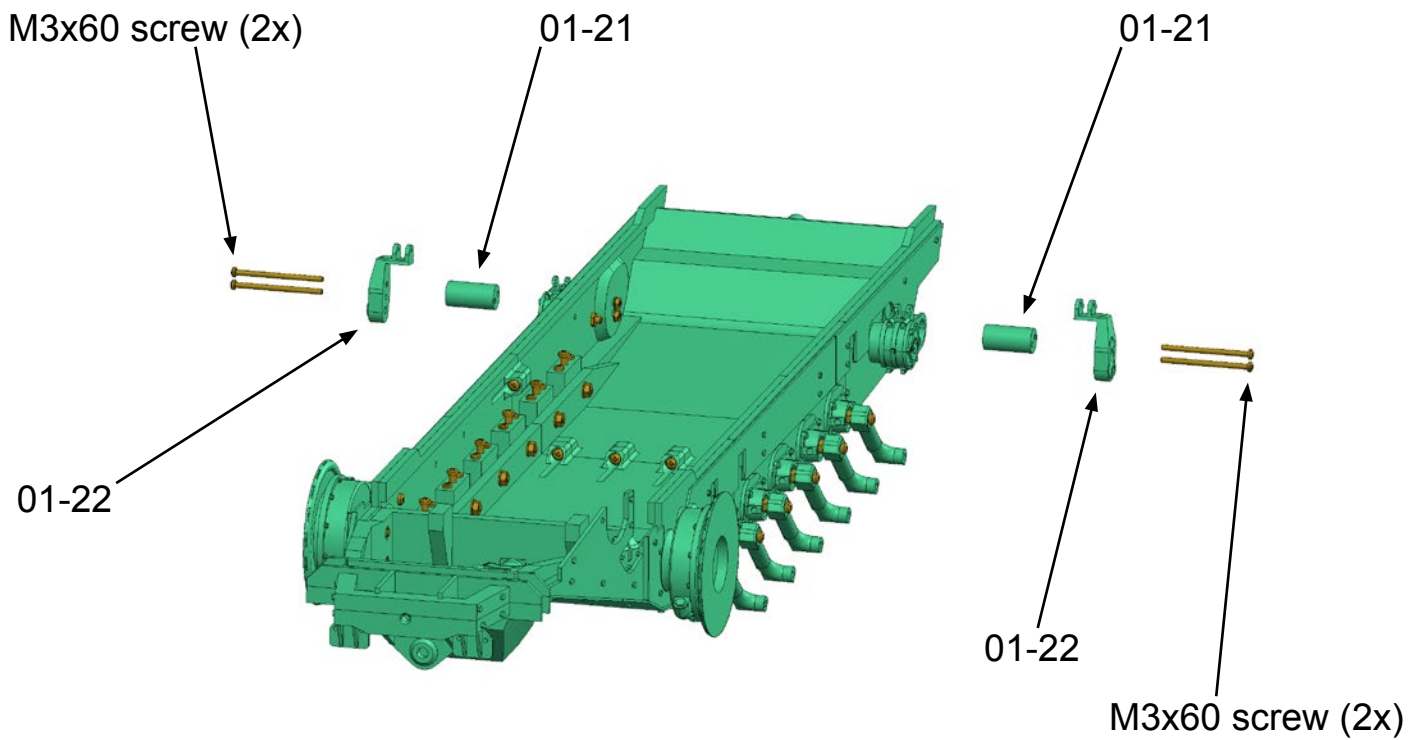
01-18B



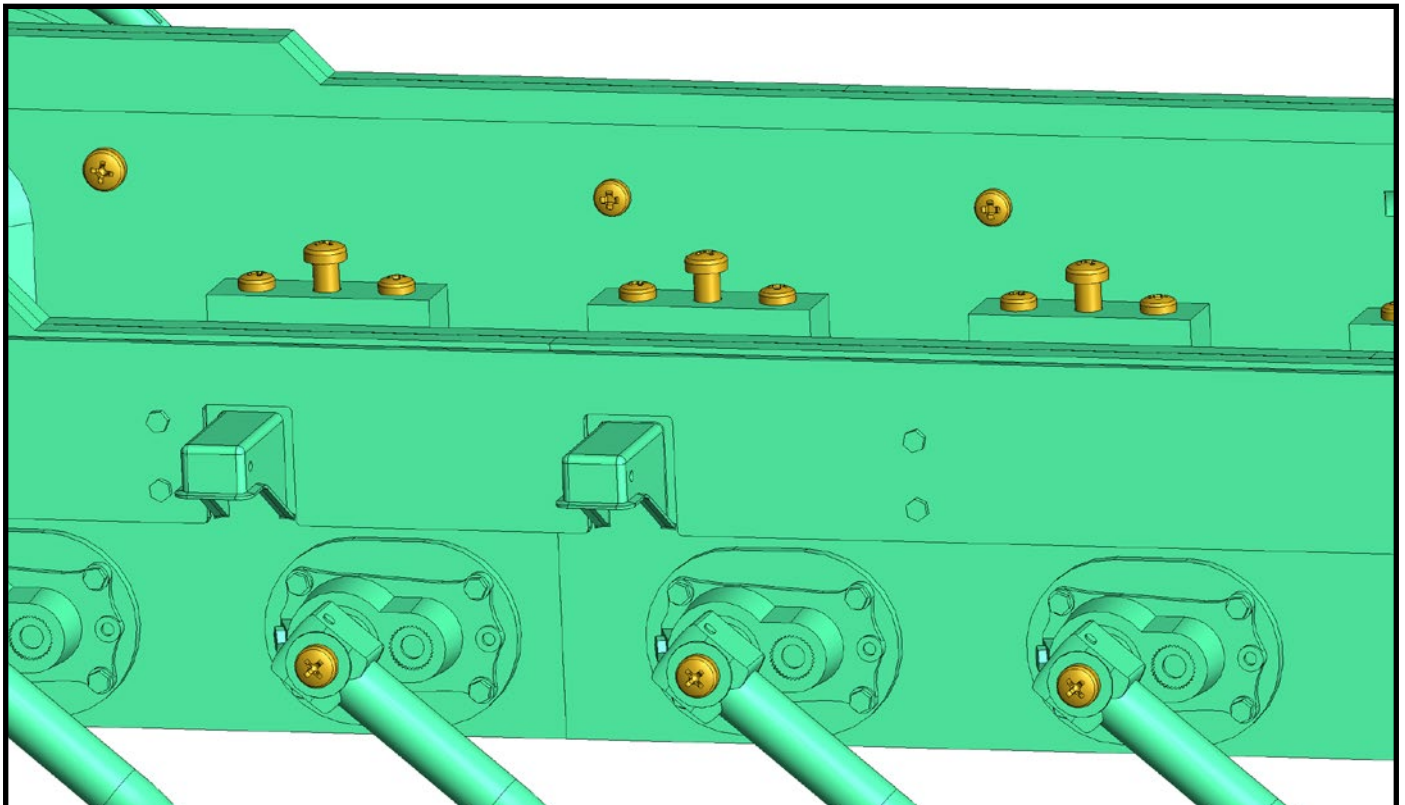
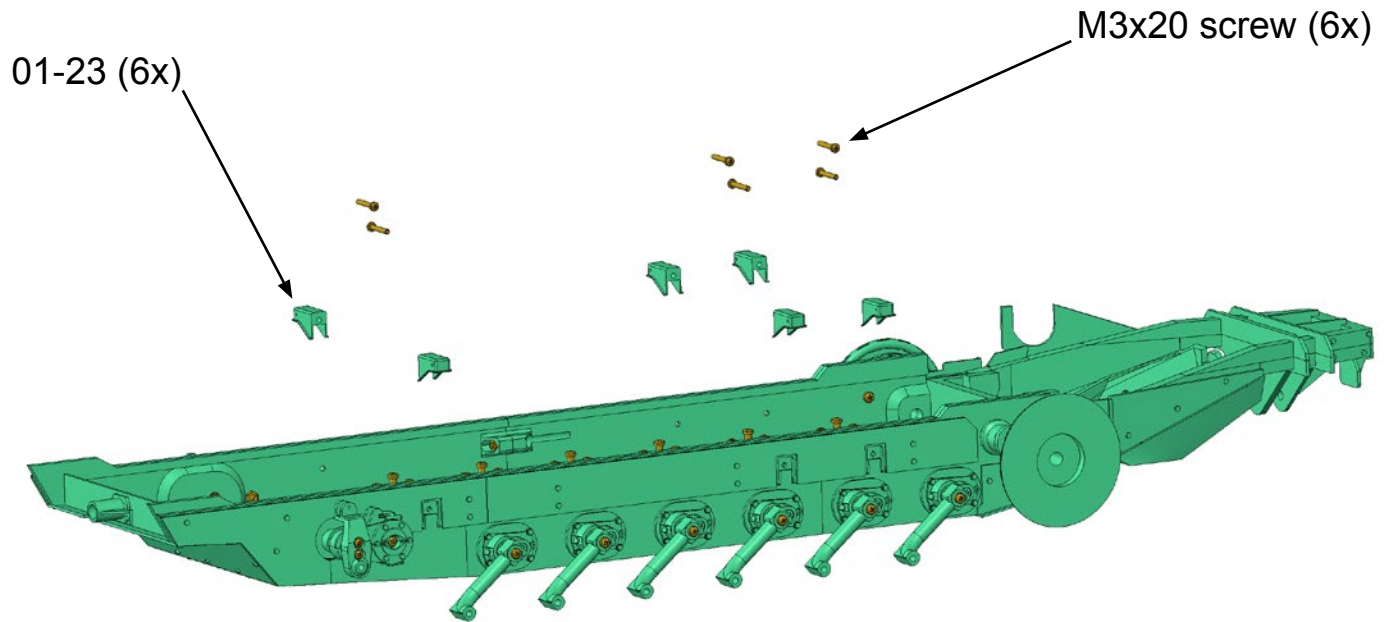
Glue part 01-18A to part 01-18B. Glue part 01-19A to part 01-19B.



Insert assemblies 01-18, 01-19, and two parts 01-20 to assembly 01-01.
Secure with M4x30 screws. **Do not glue the parts together !!!**

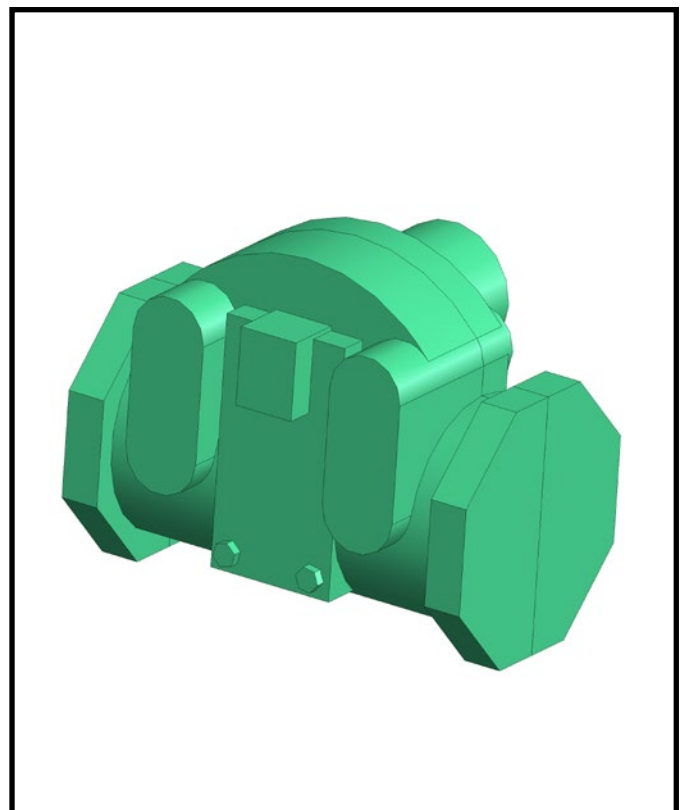
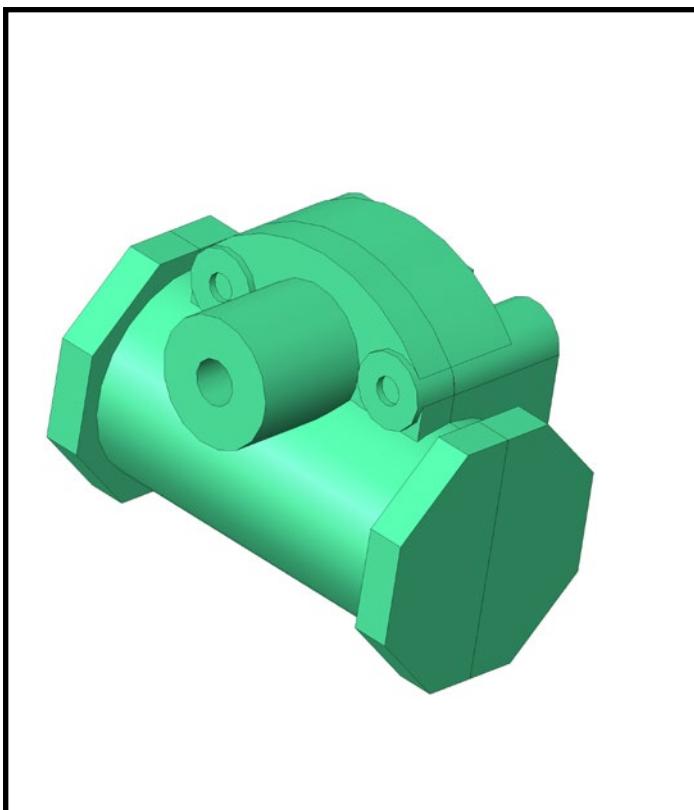
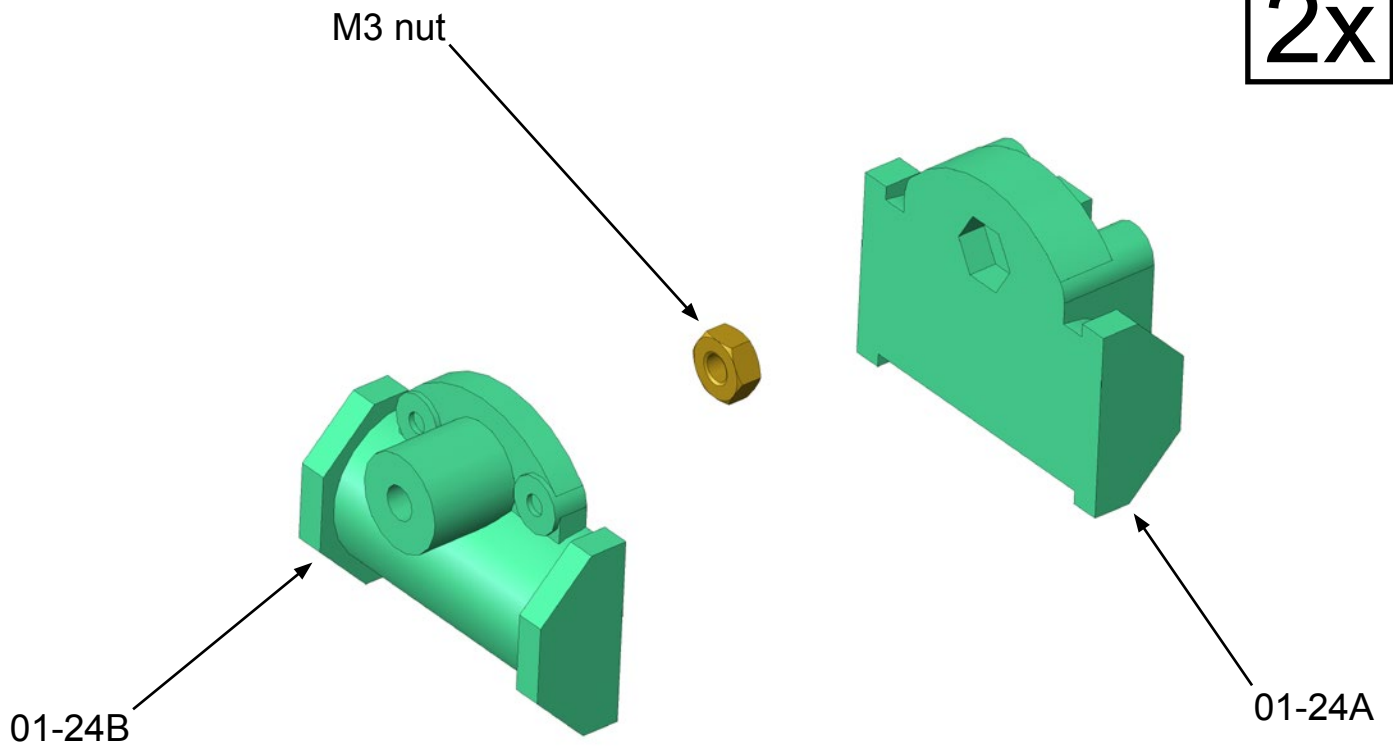


Insert two parts 01-21 and two parts 01-22 to assembly 01-01.
Secure with M3x60 screws. **Do not glue the parts together !!!**

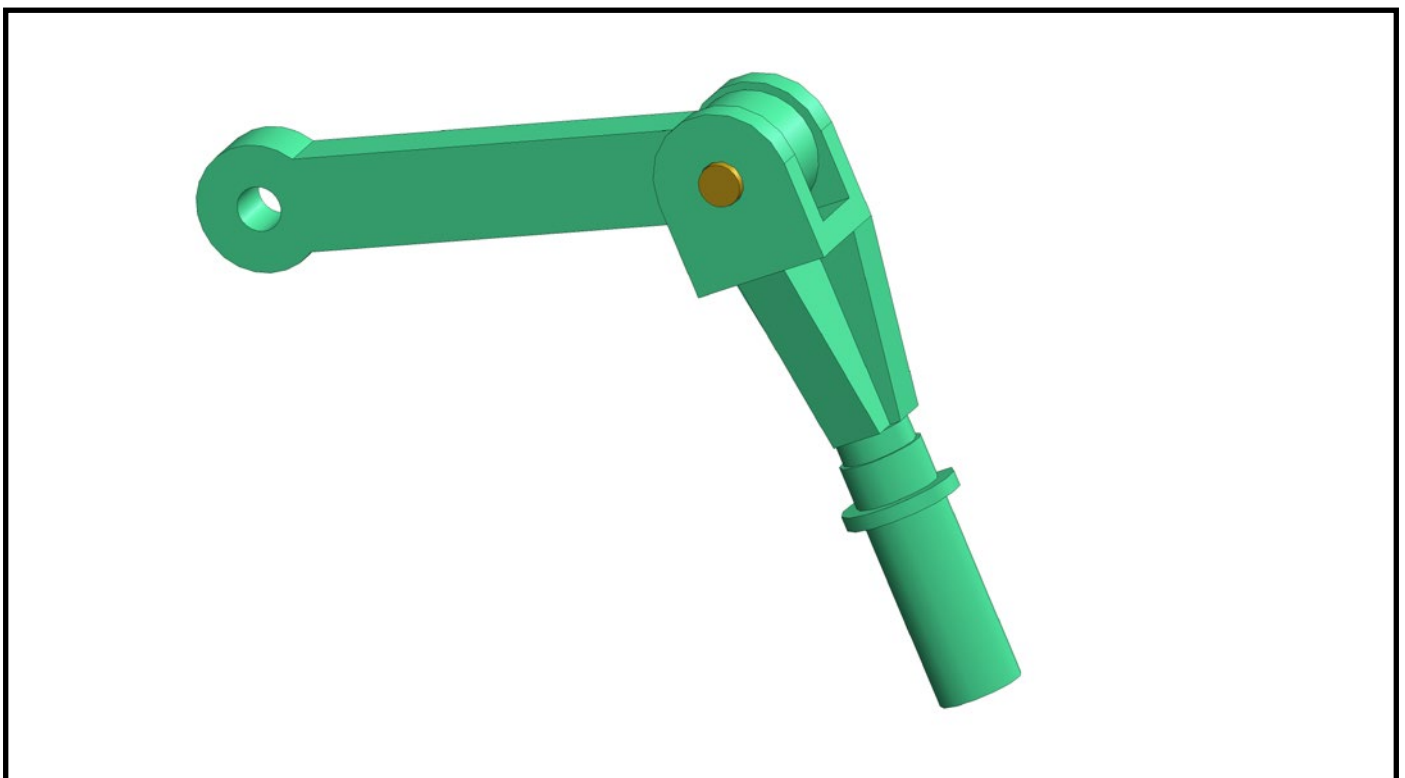
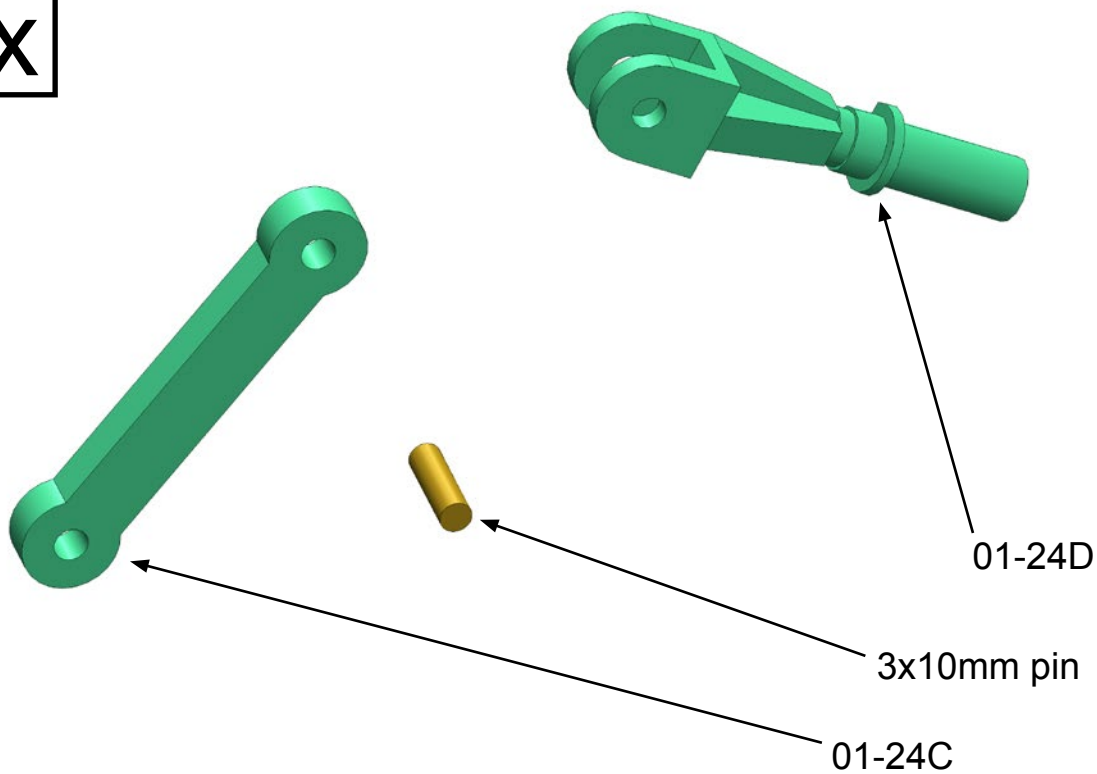


Connect six parts 01-23 to assembly 01-01 using M3x20 screws.

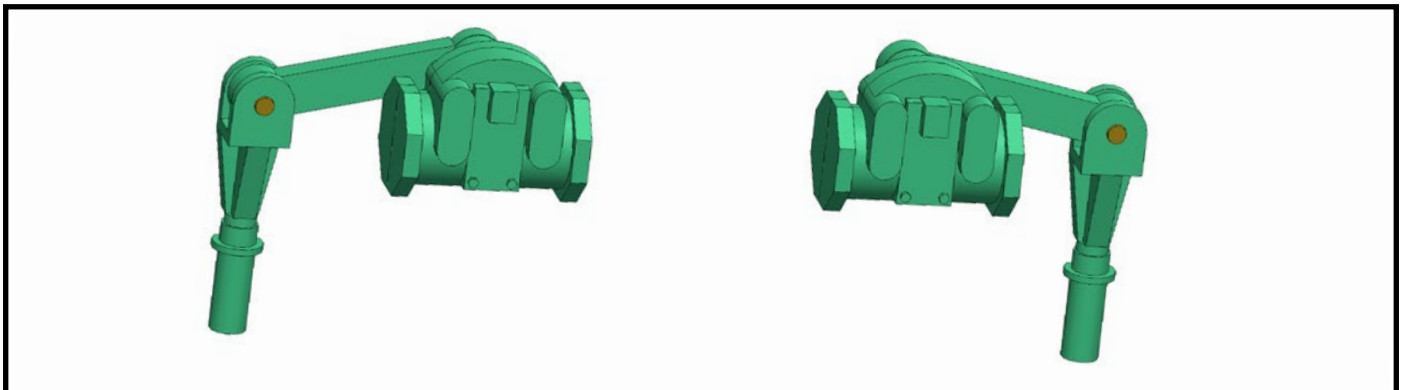
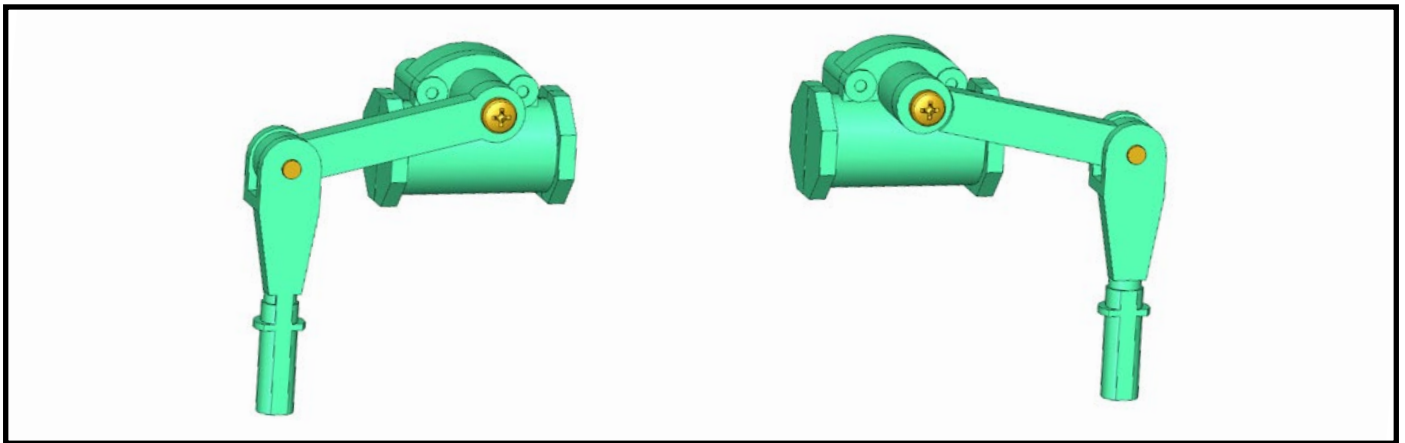
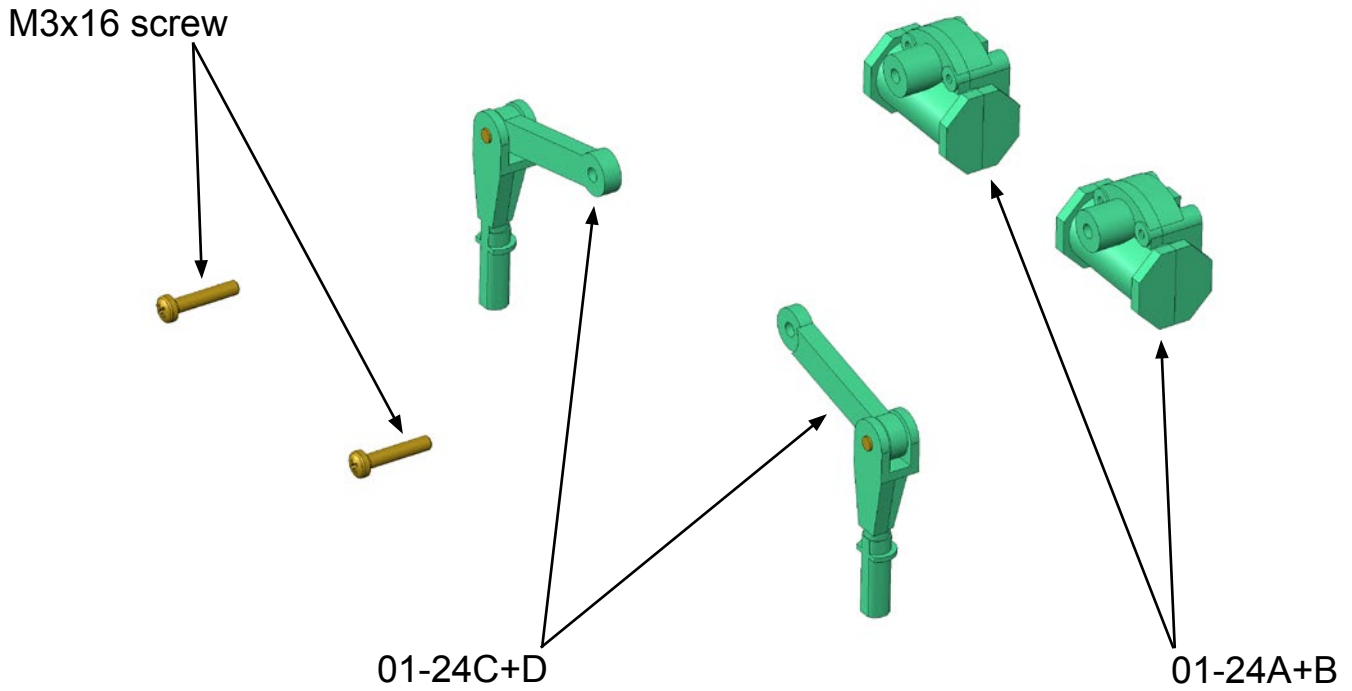
2x



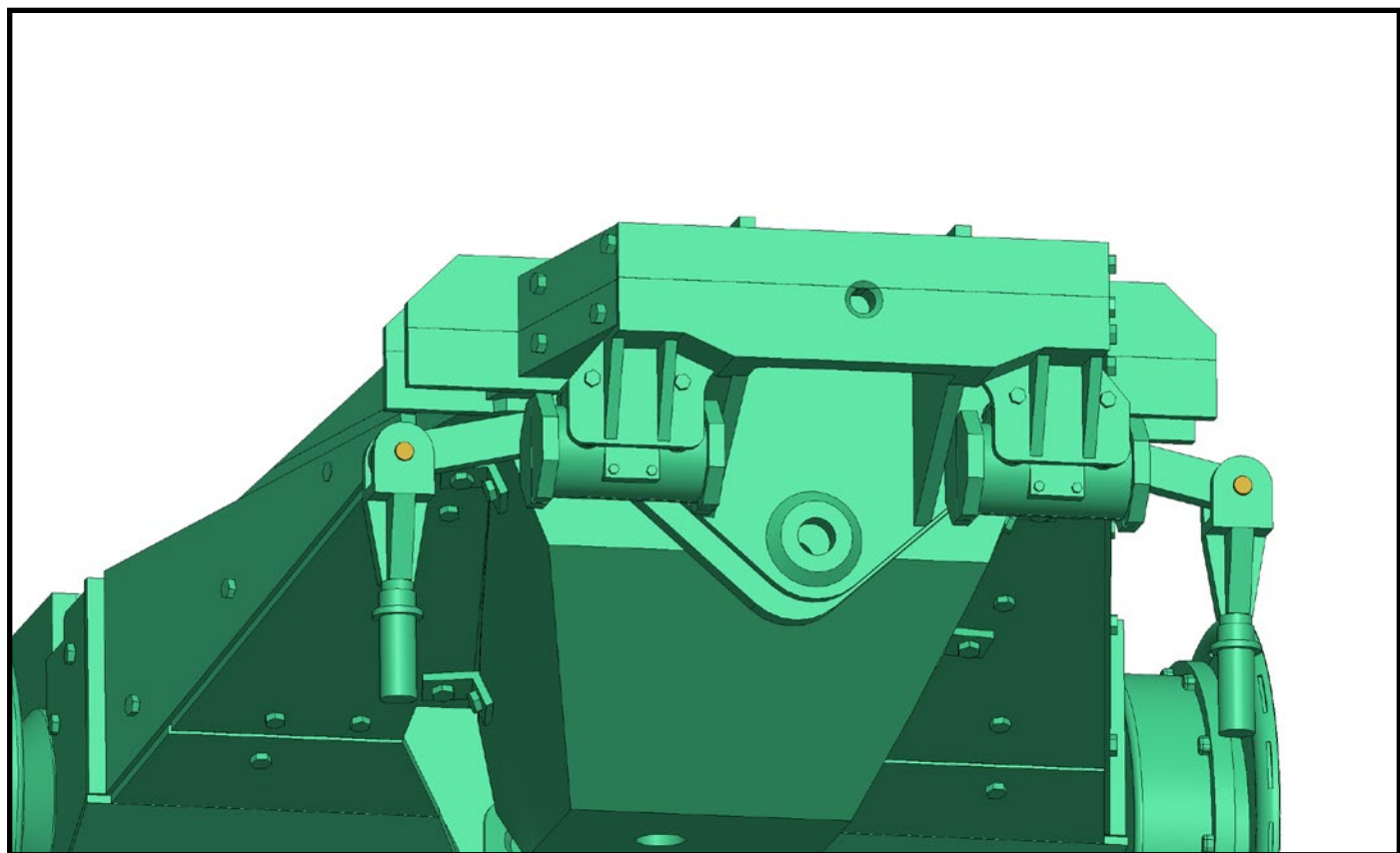
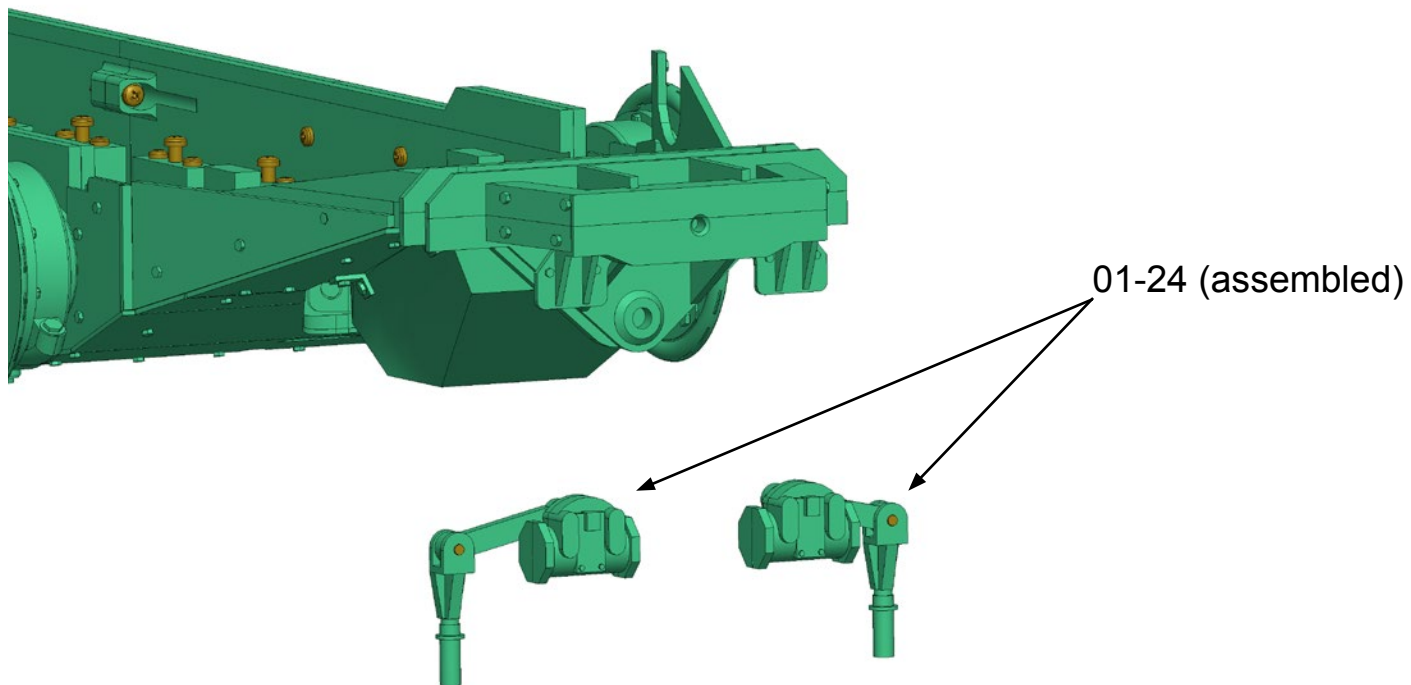
Insert the M3 nut into part 01-24A.
Then glue parts 01-24A and 01-24B together. Repeat twice.

2x

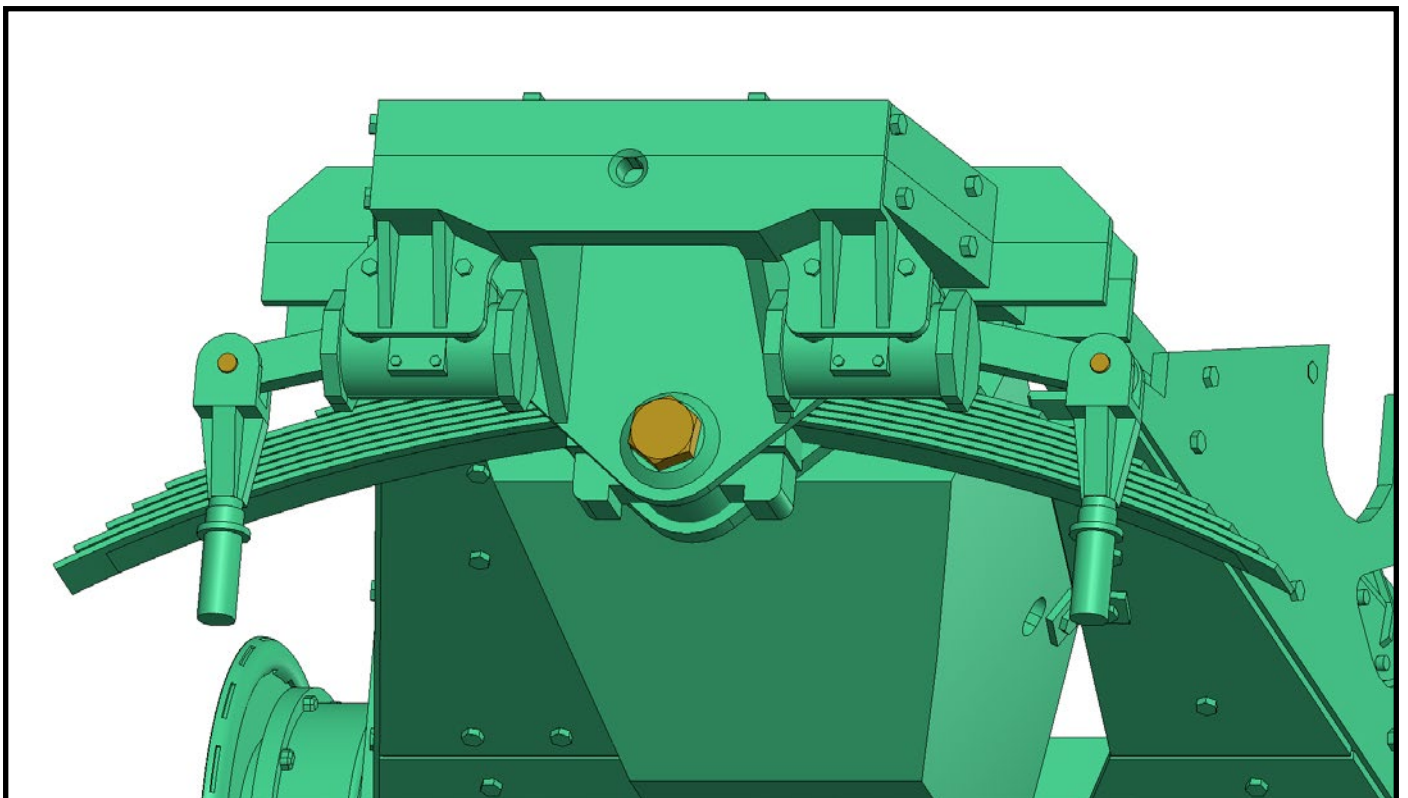
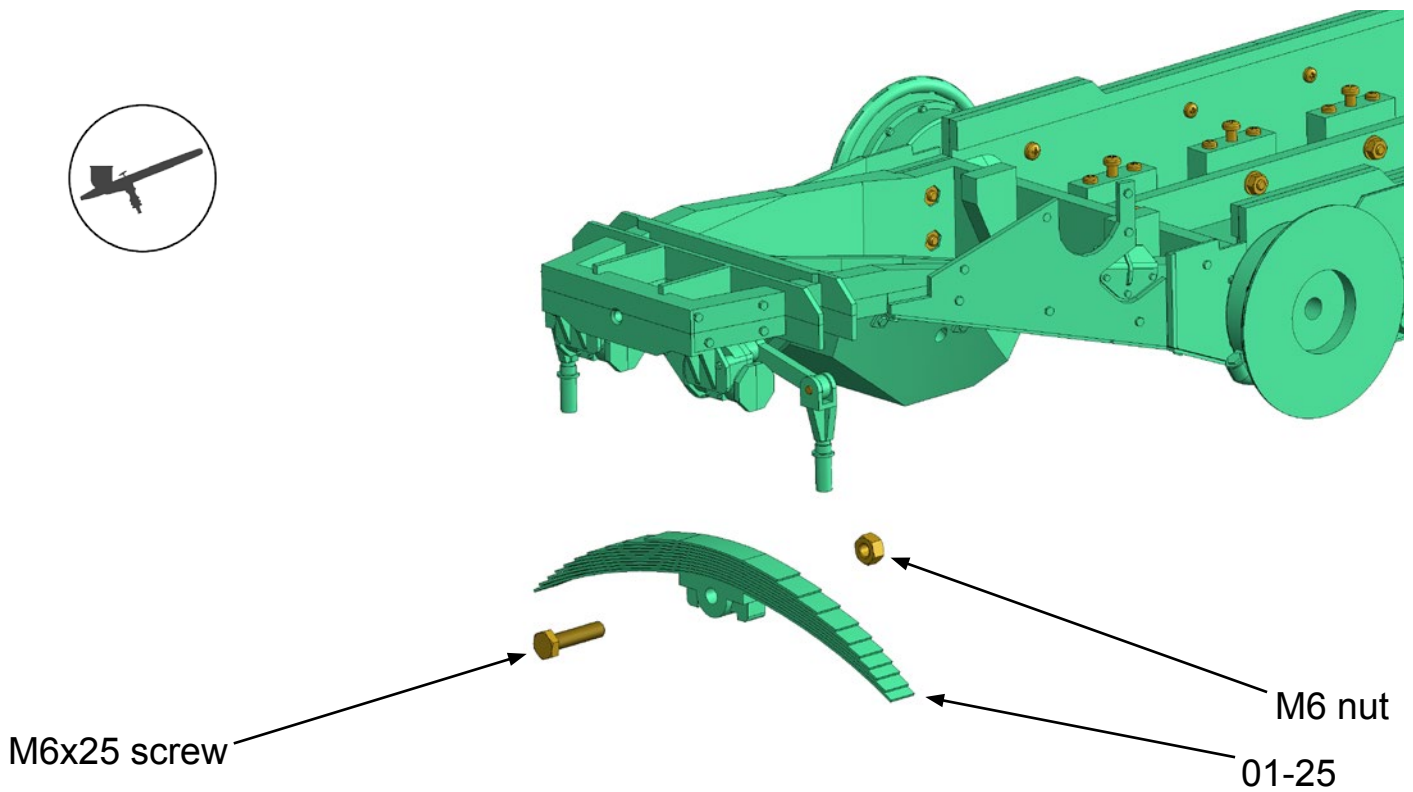
Connect part 01-24C to part 01-24D using 3x10mm pin.
Secure the pin with superglue to prevent it from falling out. Repeat twice.
The parts must rotate freely.



Connect parts 01-24A+B and parts 01-24C+D using M3x16 screws.
The parts must rotate freely.

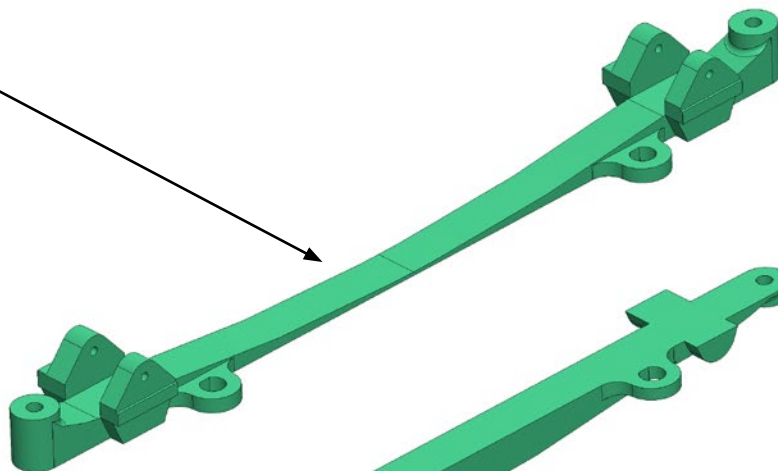


Glue assemblies 01-24 to assembly 01-02.

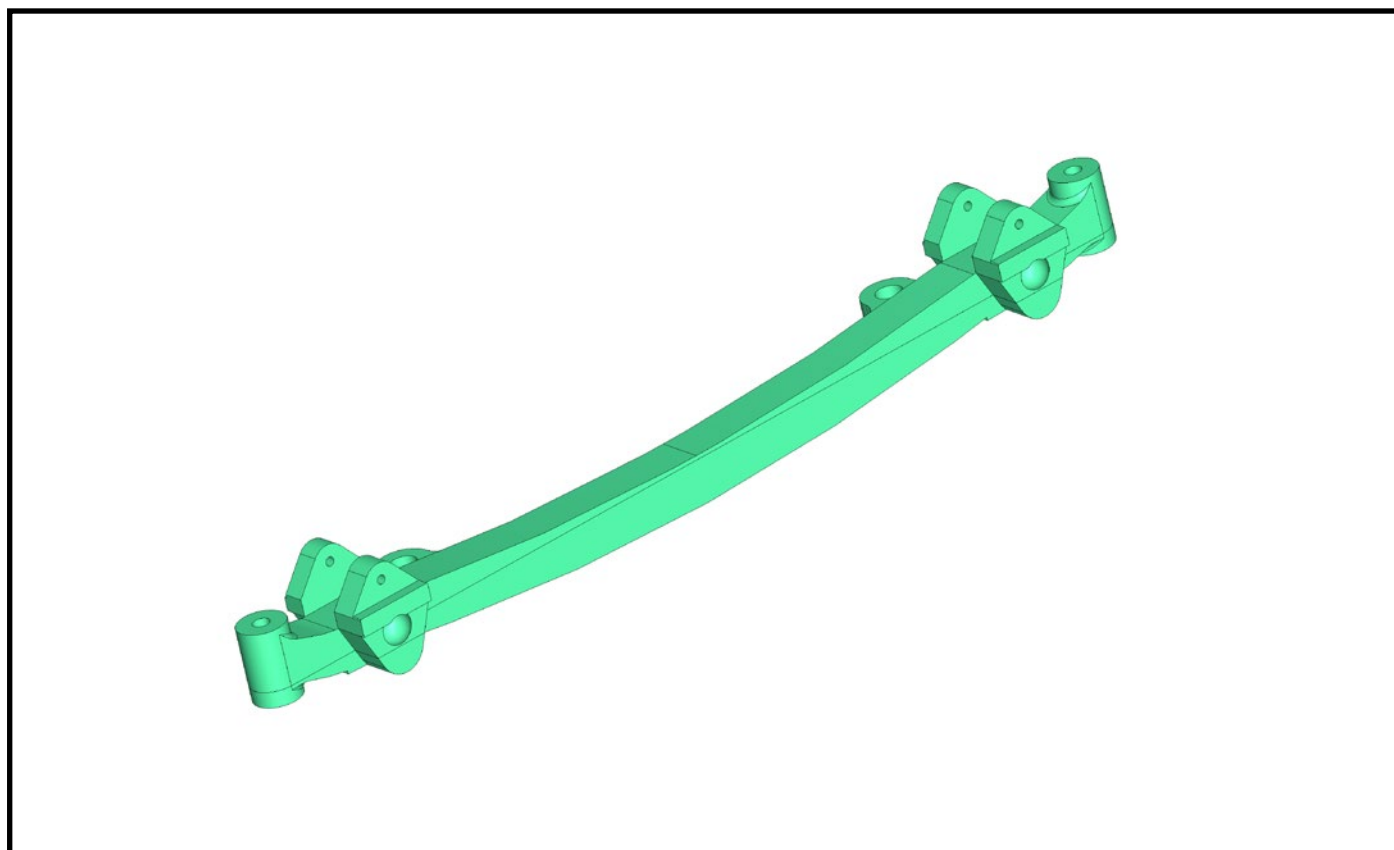
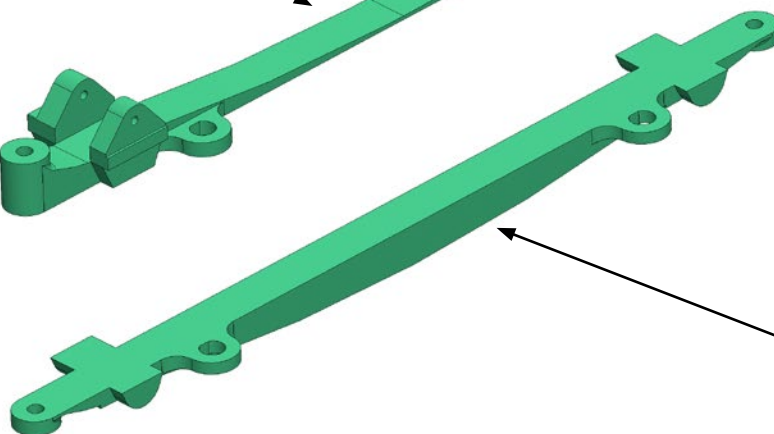


Attach part 01-25 to assembly 01-02 using M6x25 screw.
The part must rotate freely. Paint all parts before or after this step.

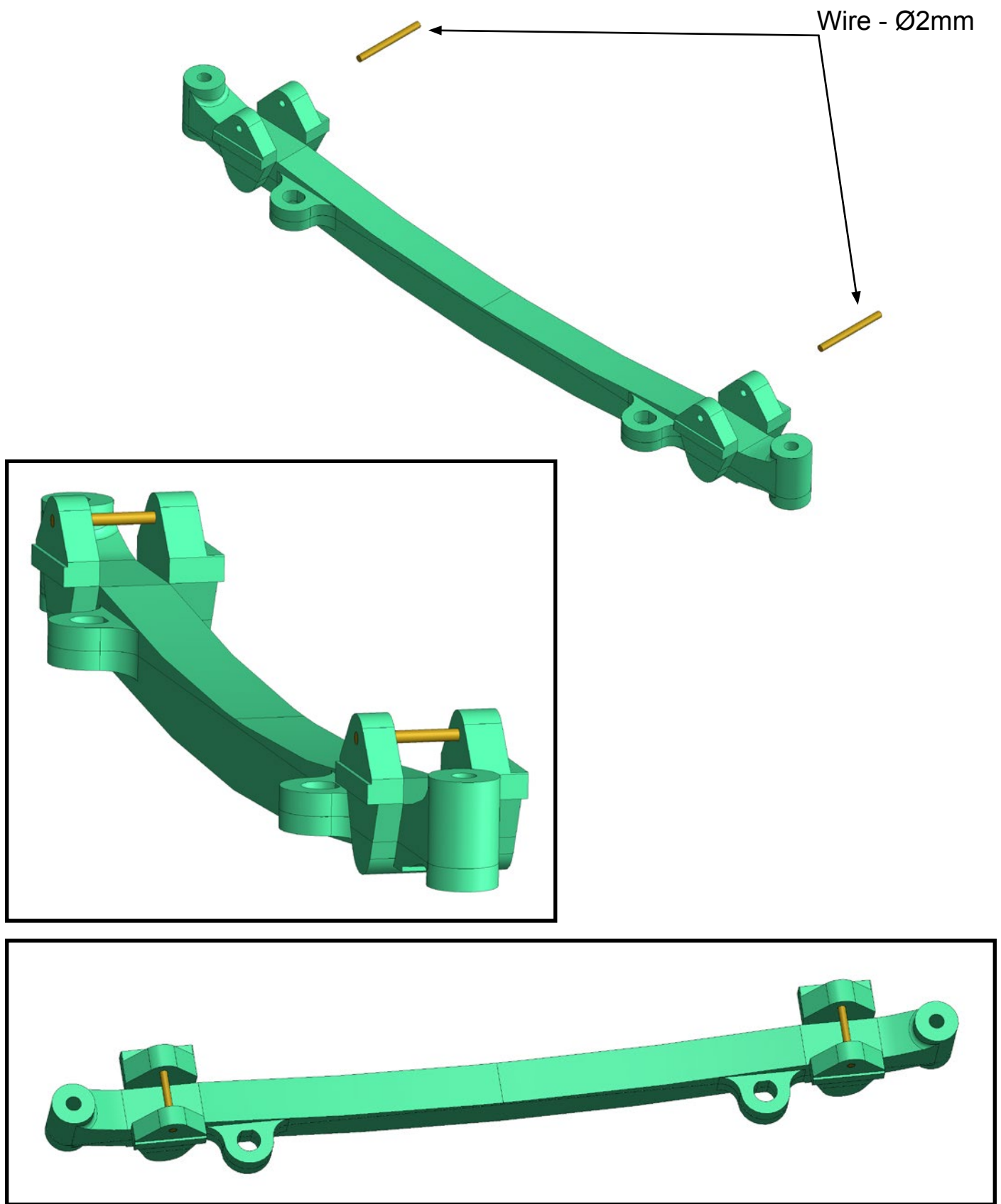
01-26A



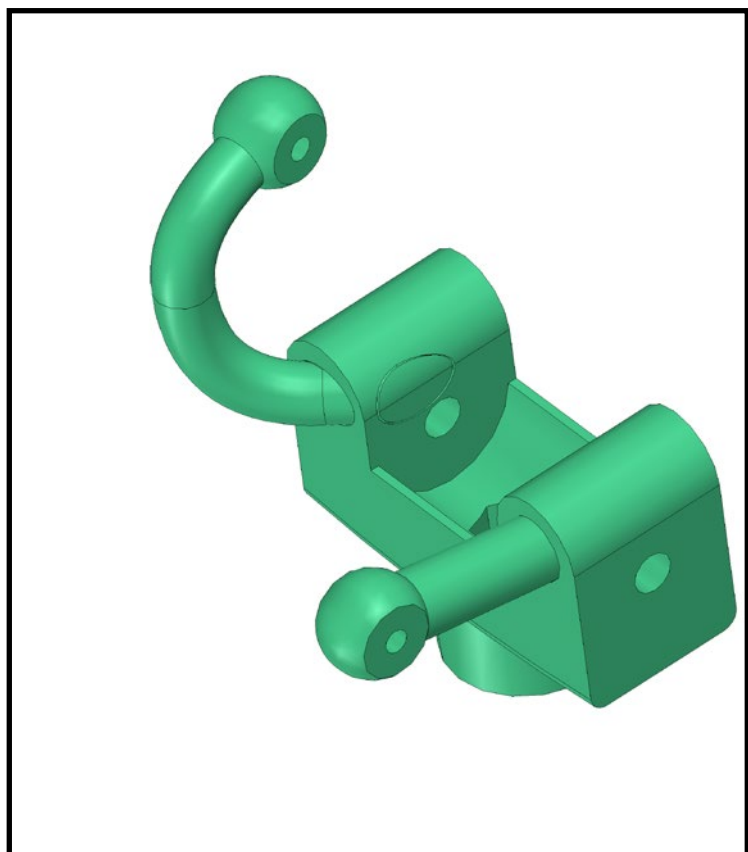
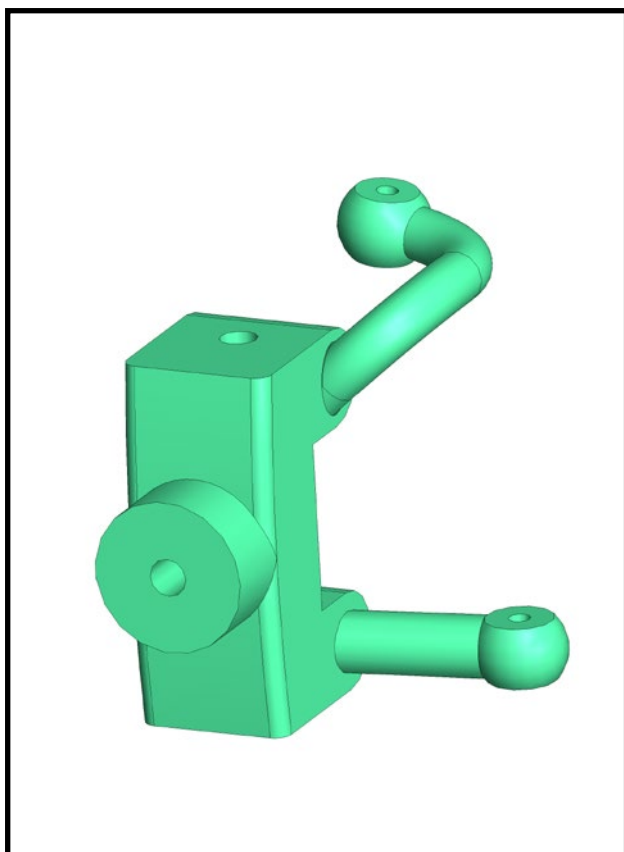
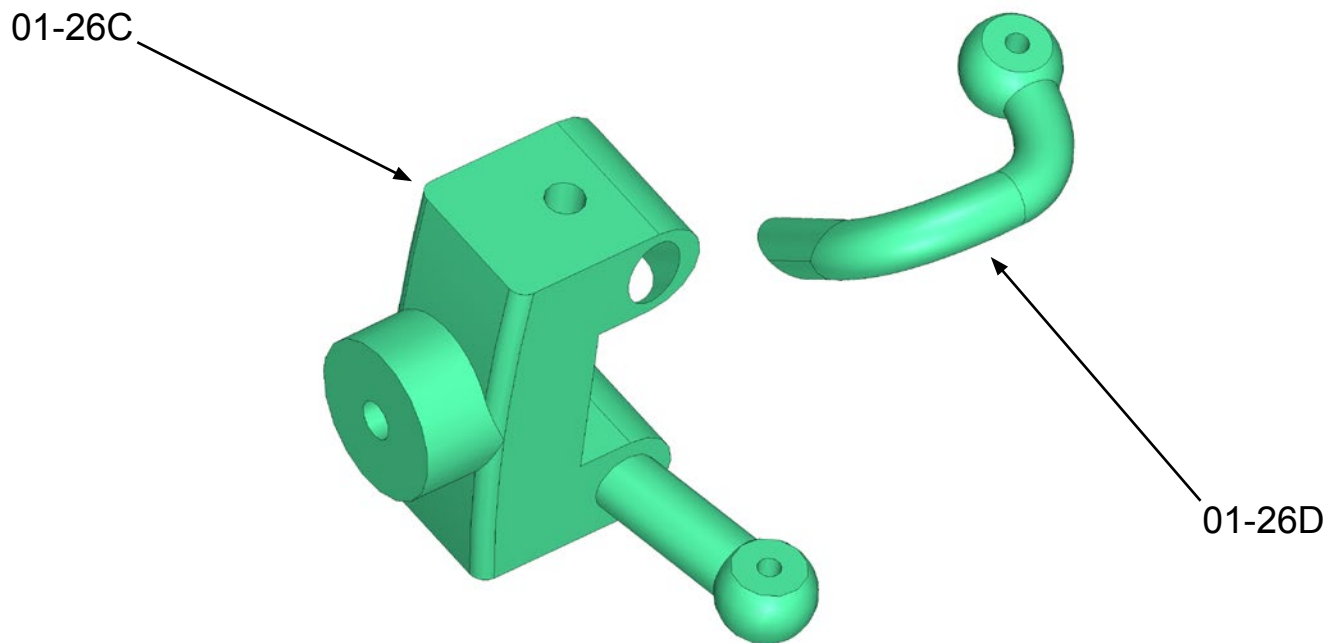
01-26B



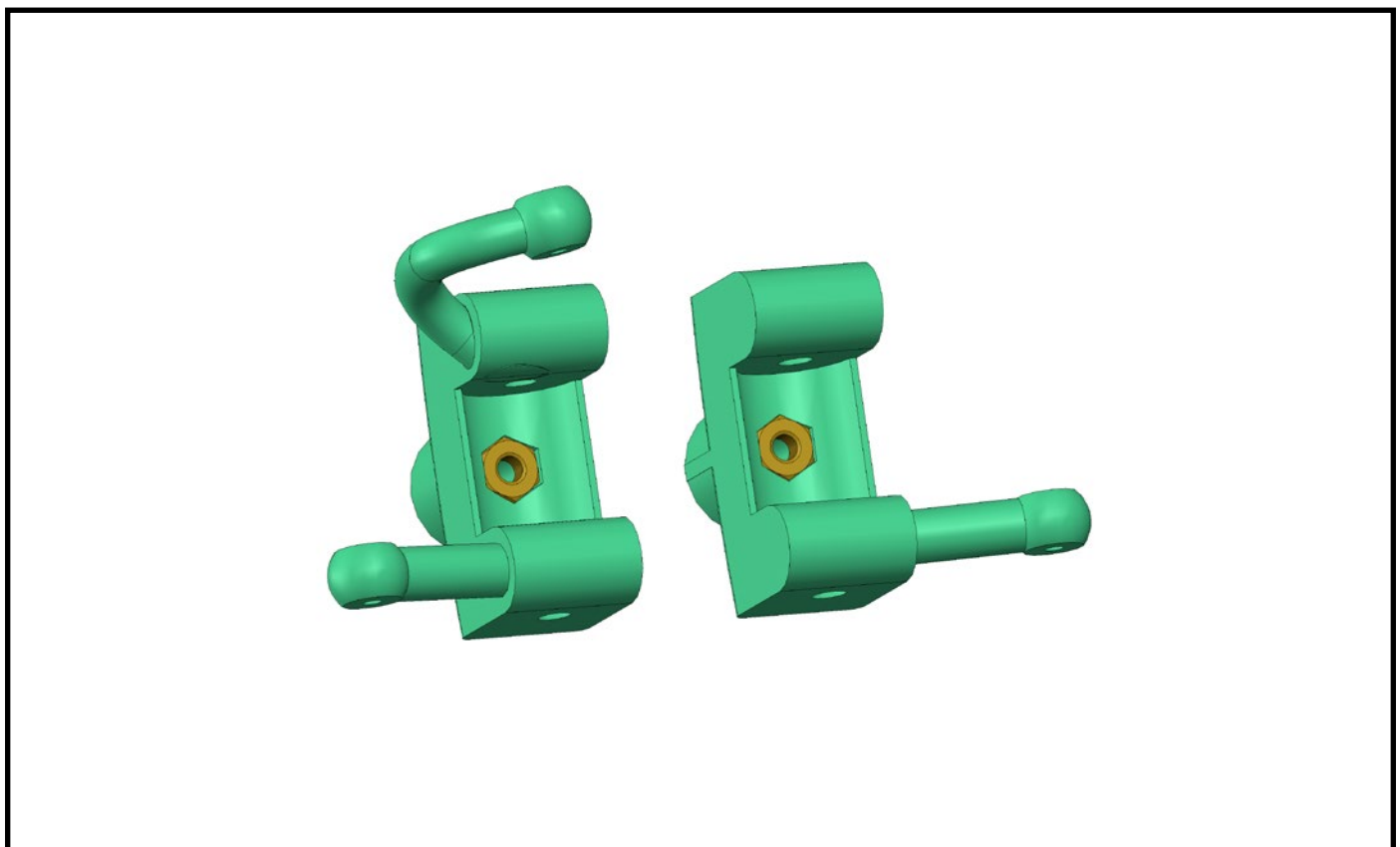
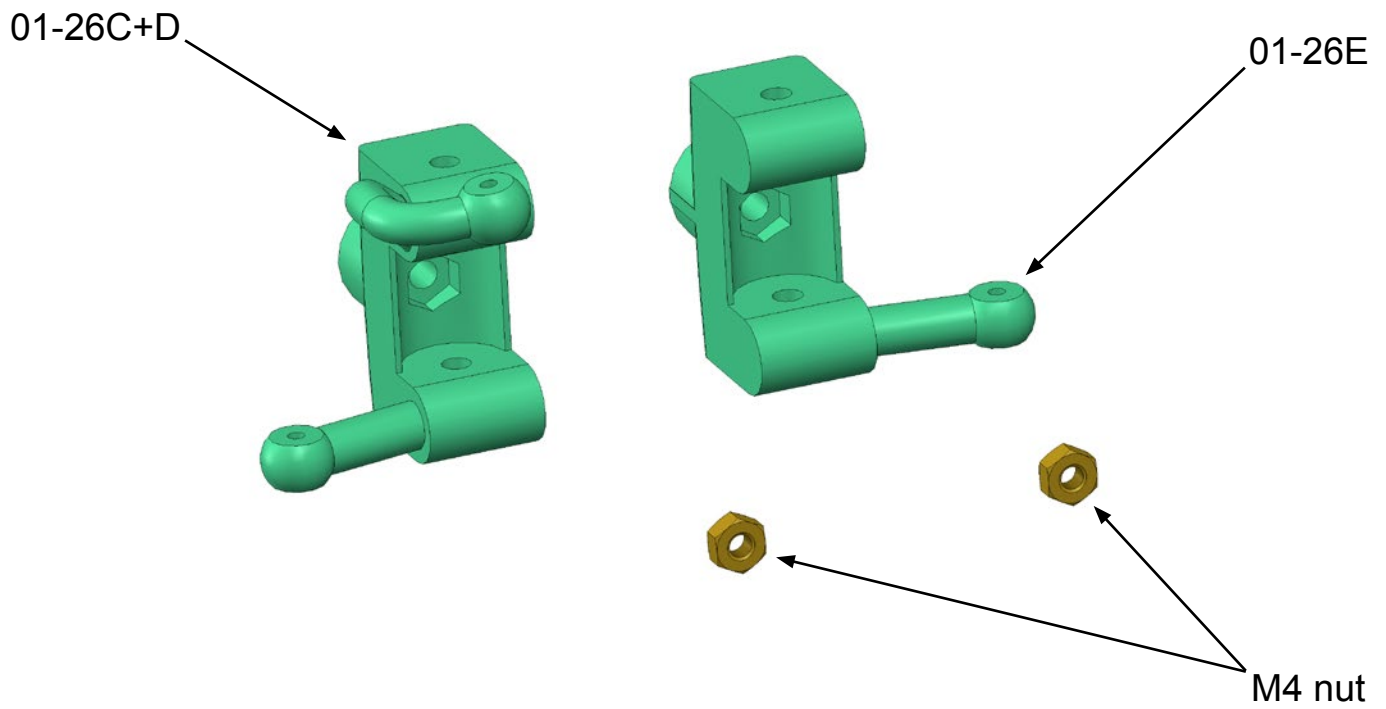
Glue part 01-26A to part 01-26B. Carefully align the holes.



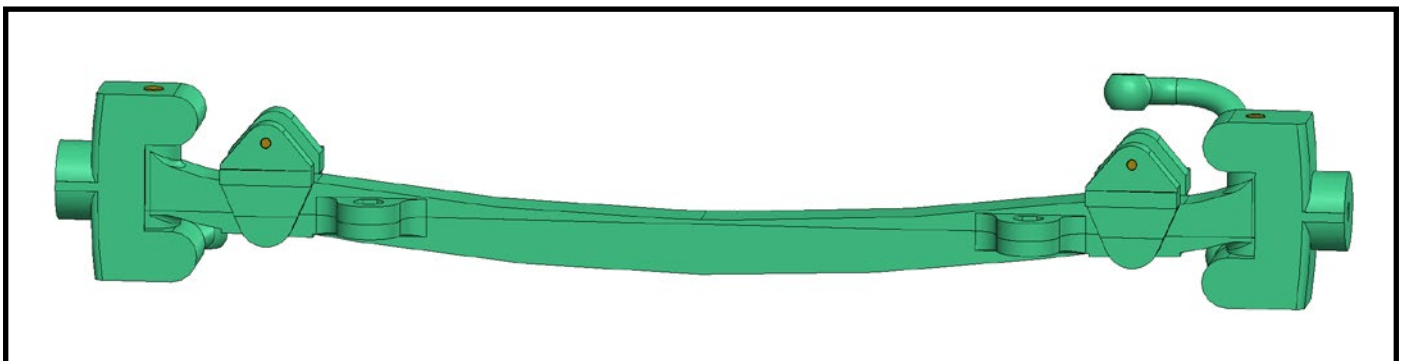
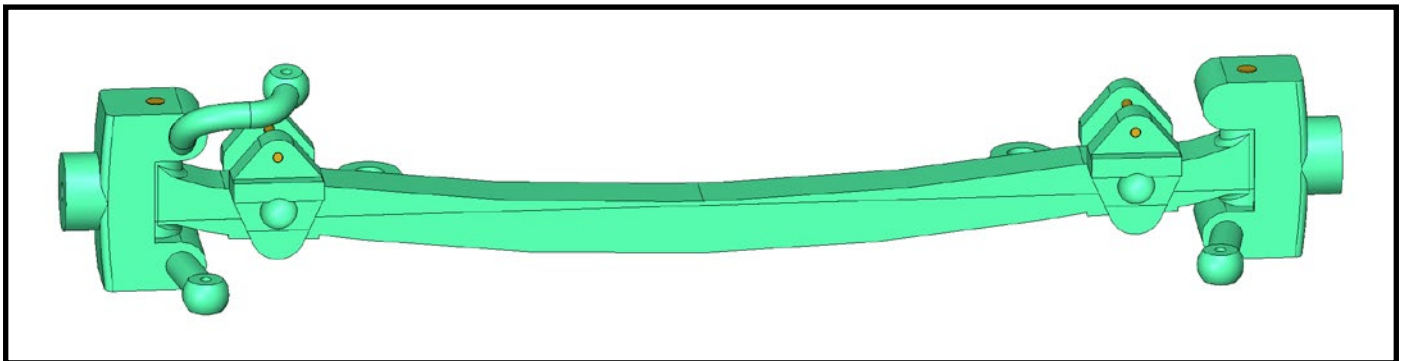
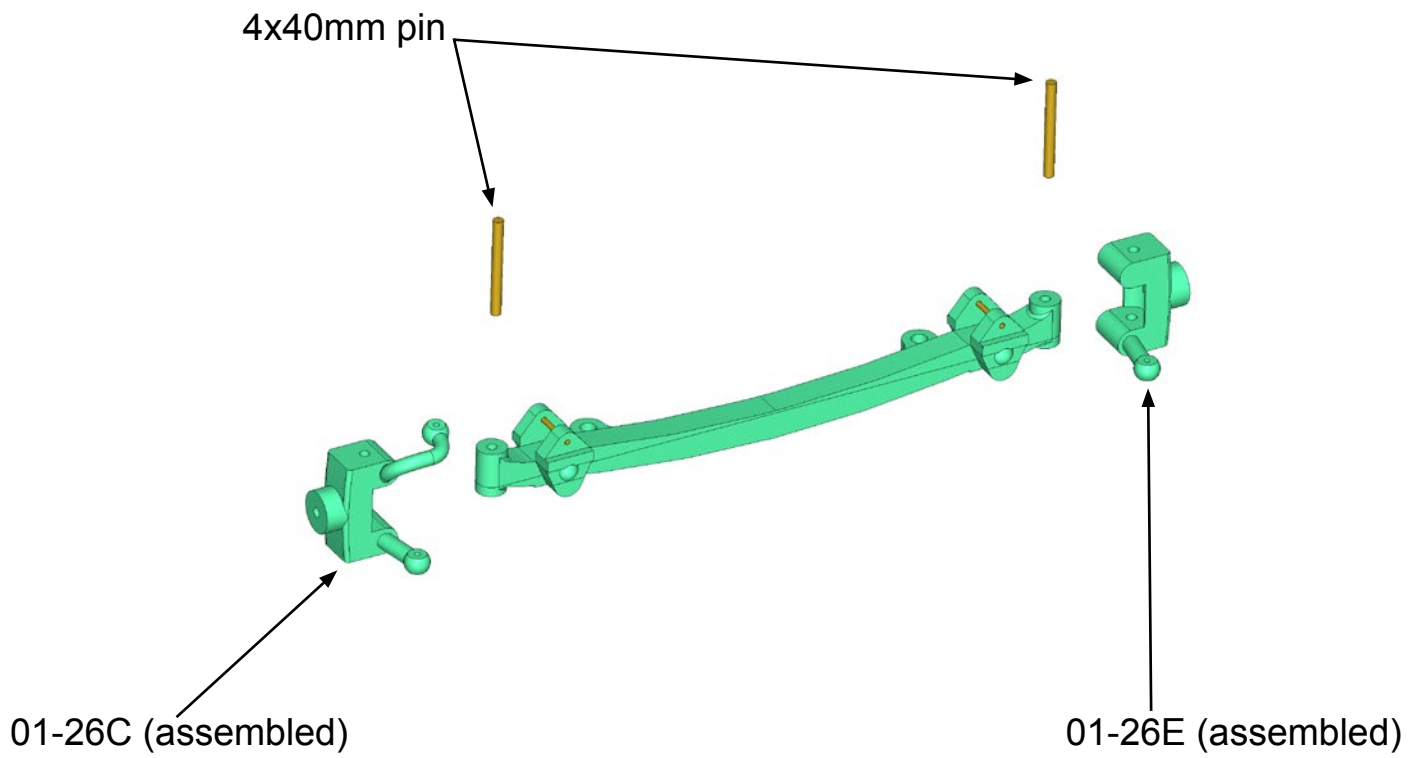
Secure the pin with superglue to prevent it from falling out.
Insert two 2 mm diameter wires into assembly 01-26.



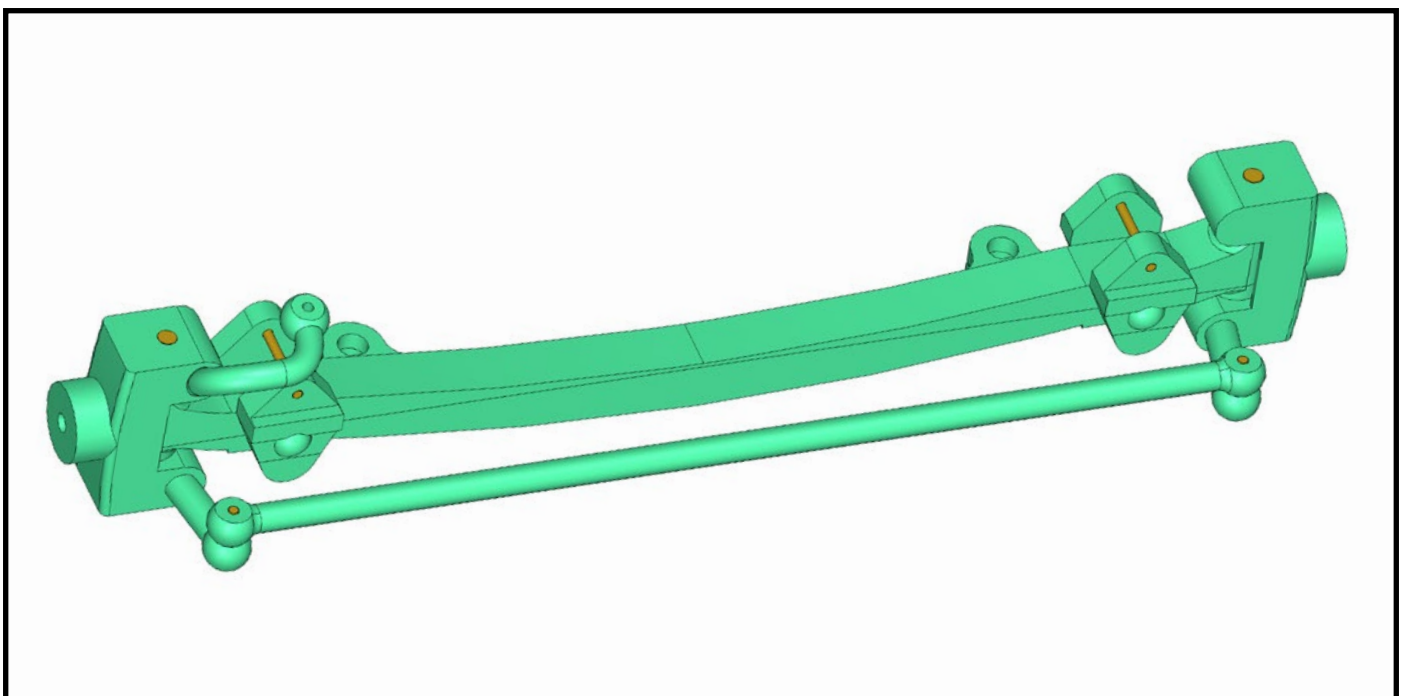
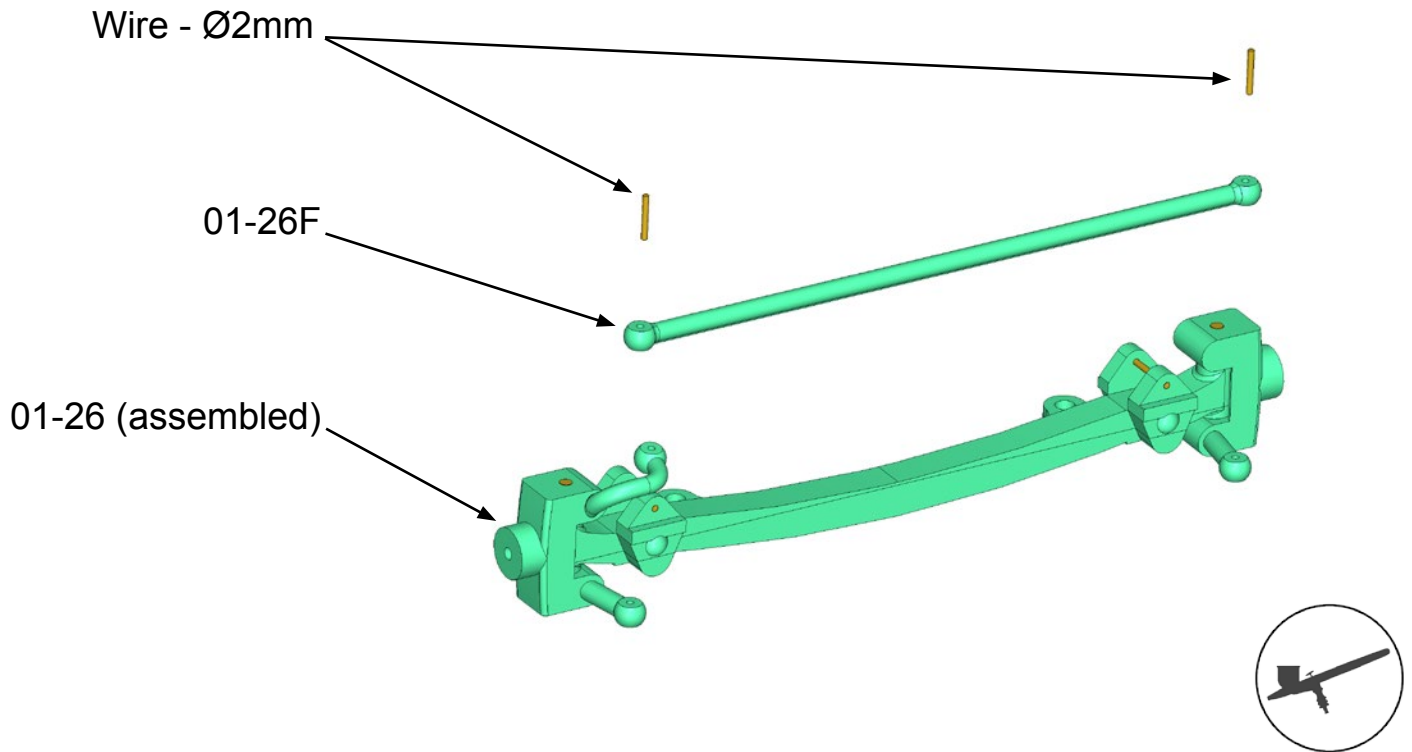
Glue parts 01-26C and 01-26D together.



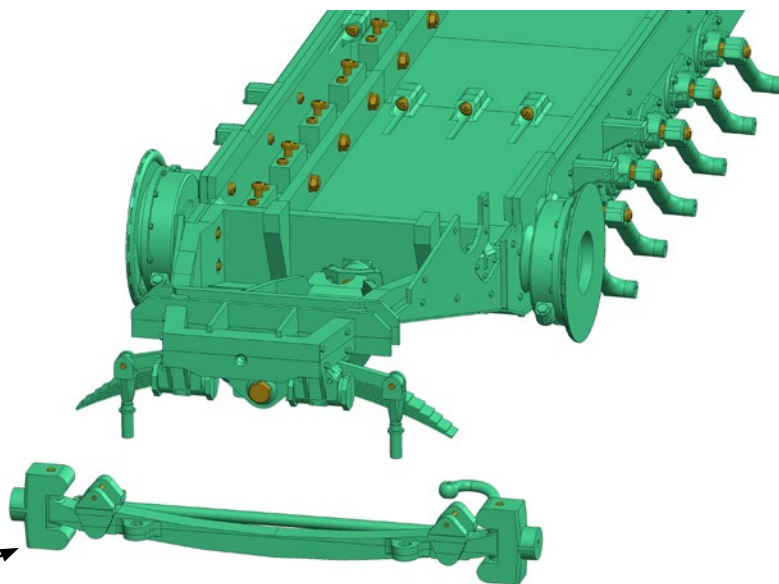
Insert M4 nuts into parts 01-26C and 01-26E.
If they are loose and could fall out, secure them with superglue.



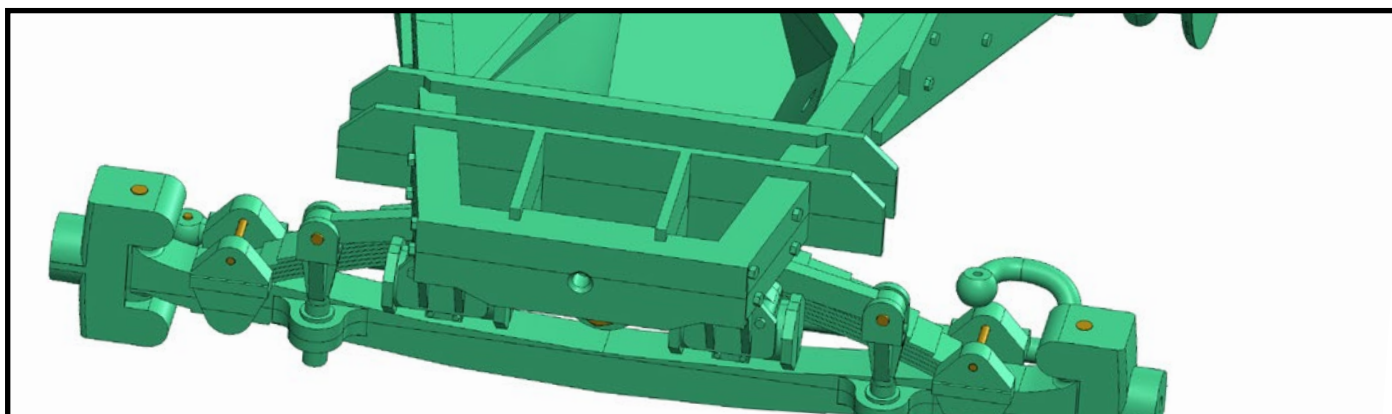
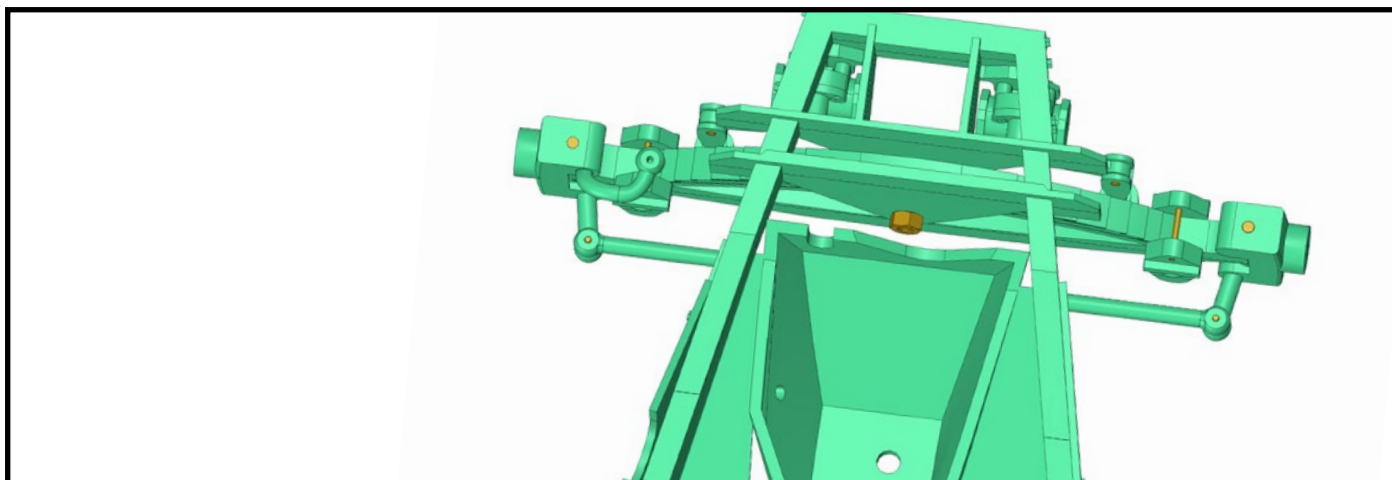
Connect parts 01-26C and 01-26E to assembly 01-26 using 4x40mm pins.



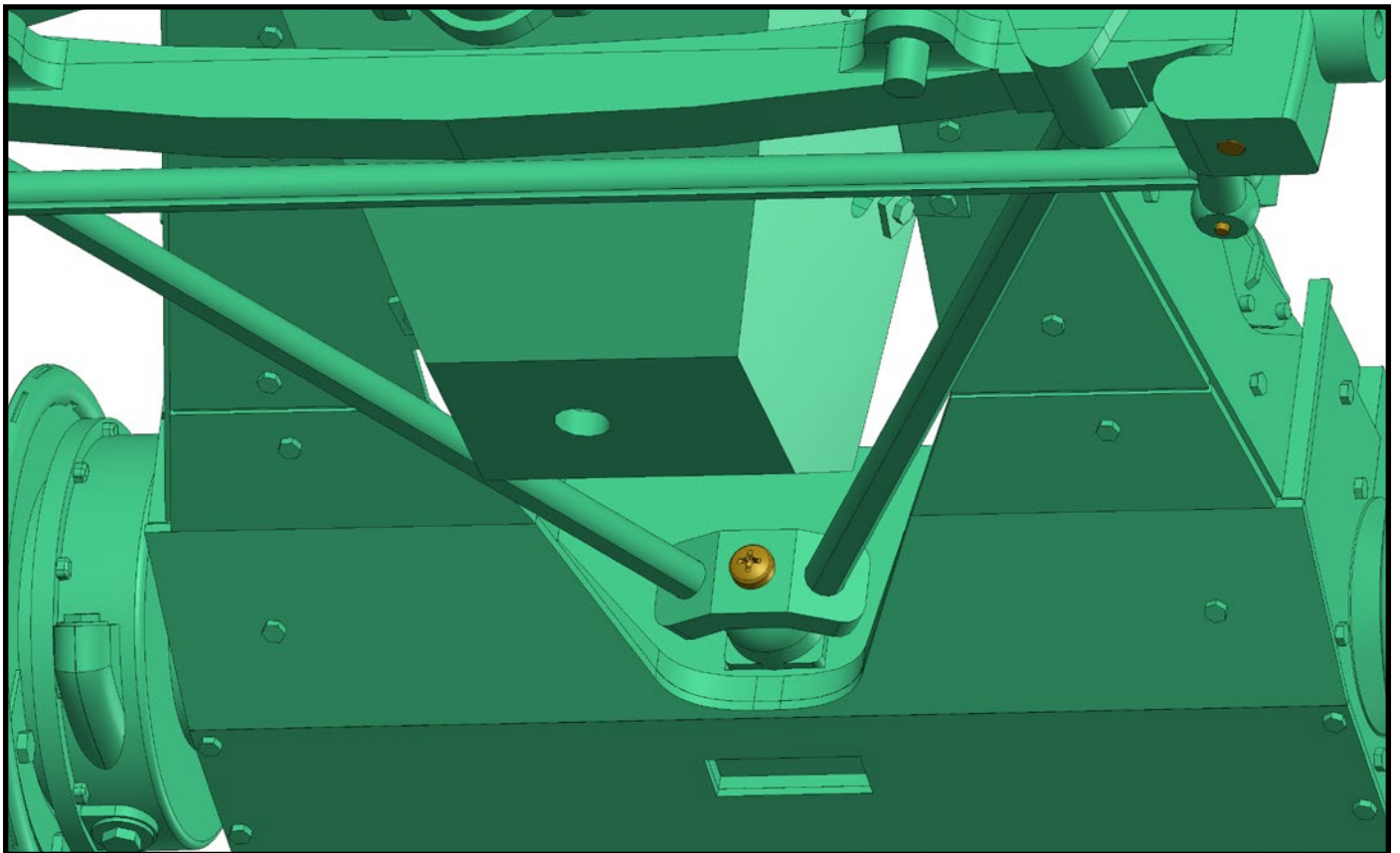
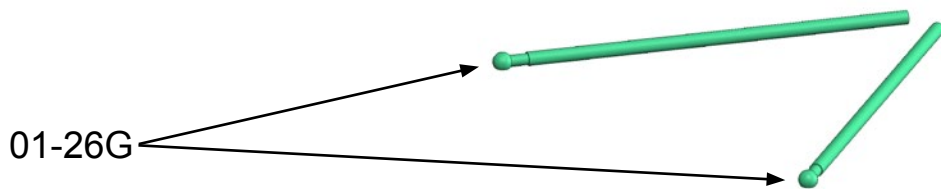
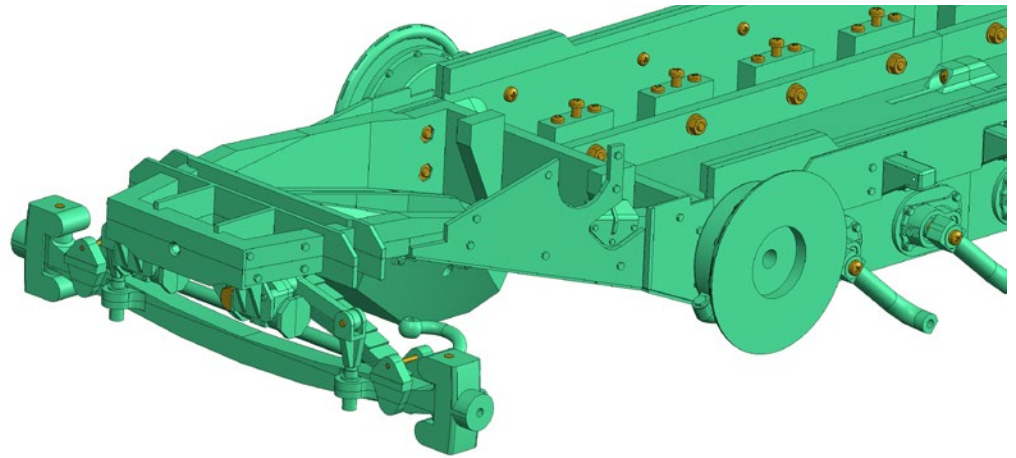
Connect part 01-26F to assembly 01-26 using a 2mm diameter wire.



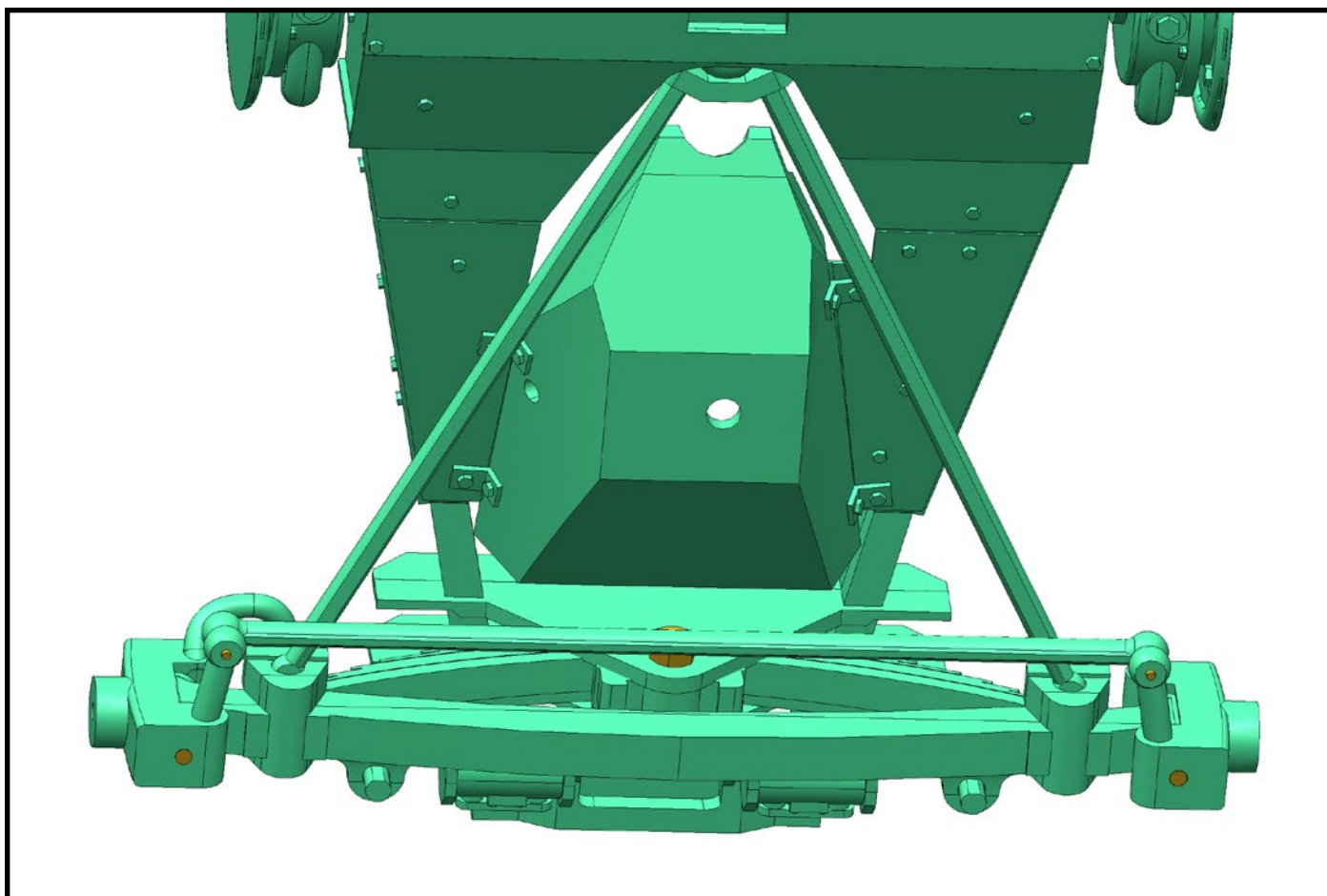
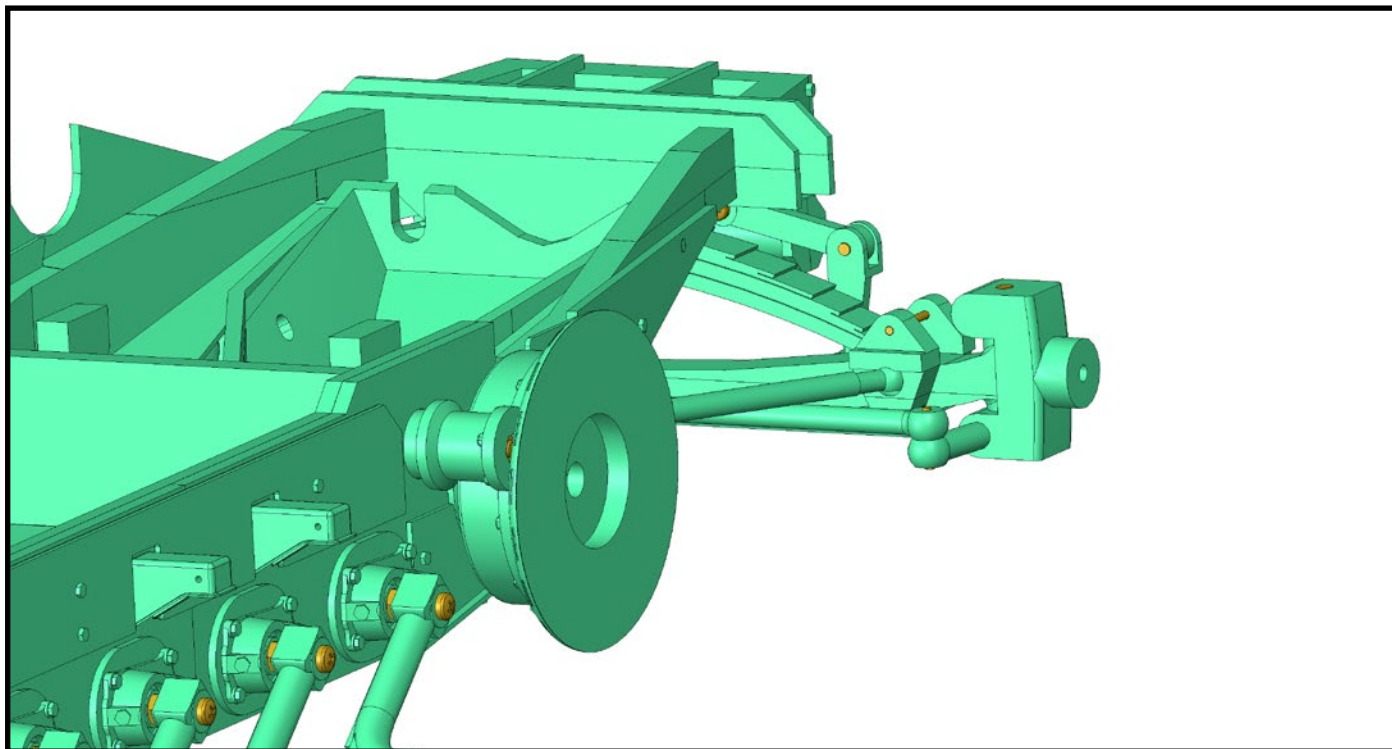
01-26 (assembled)



Insert part 01-25 under the 2 mm wires in assembly 01-26.
Insert assemblies 01-24 into assembly 01-26.



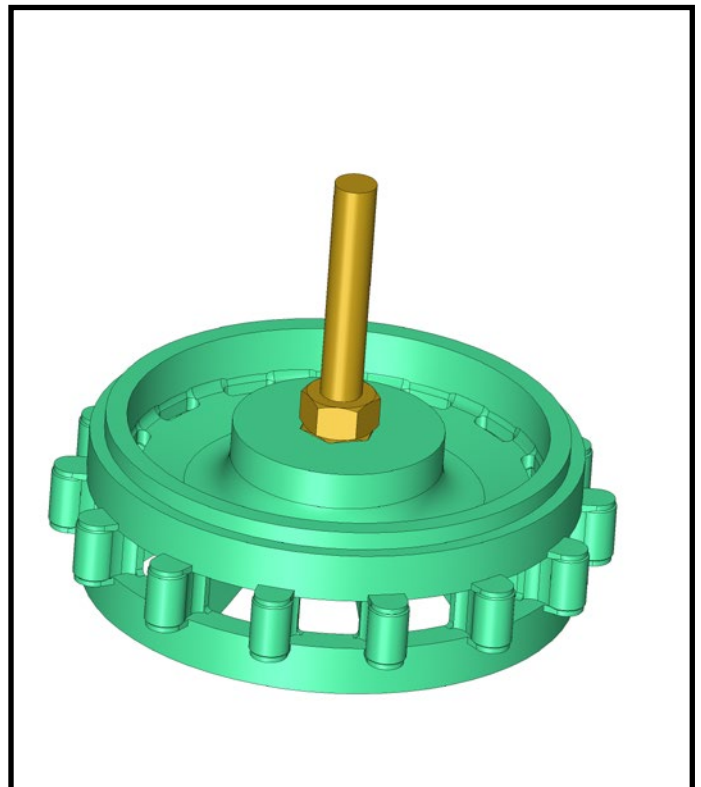
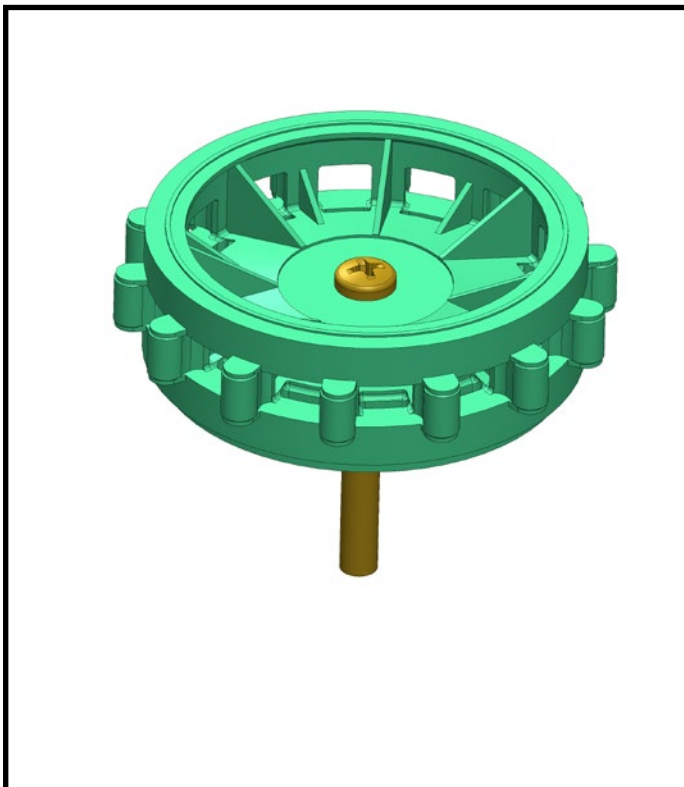
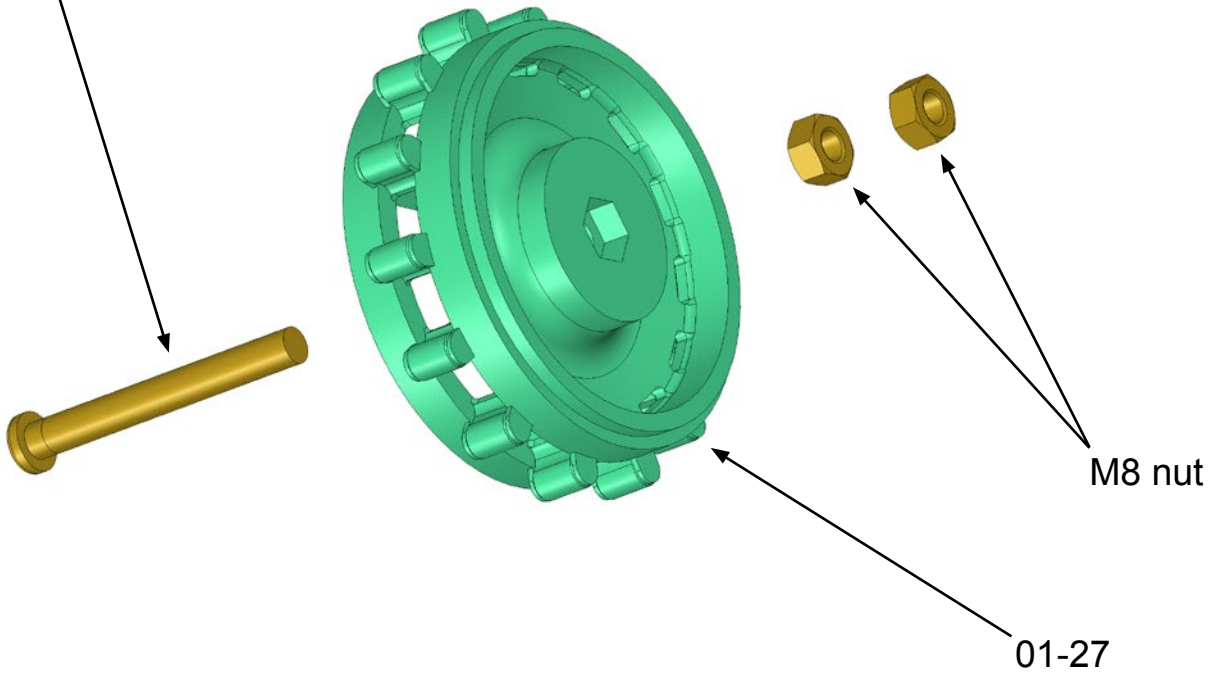
Insert parts 01-26G into the cavities in assembly 01-26.
Insert the other end into assembly 01-05.



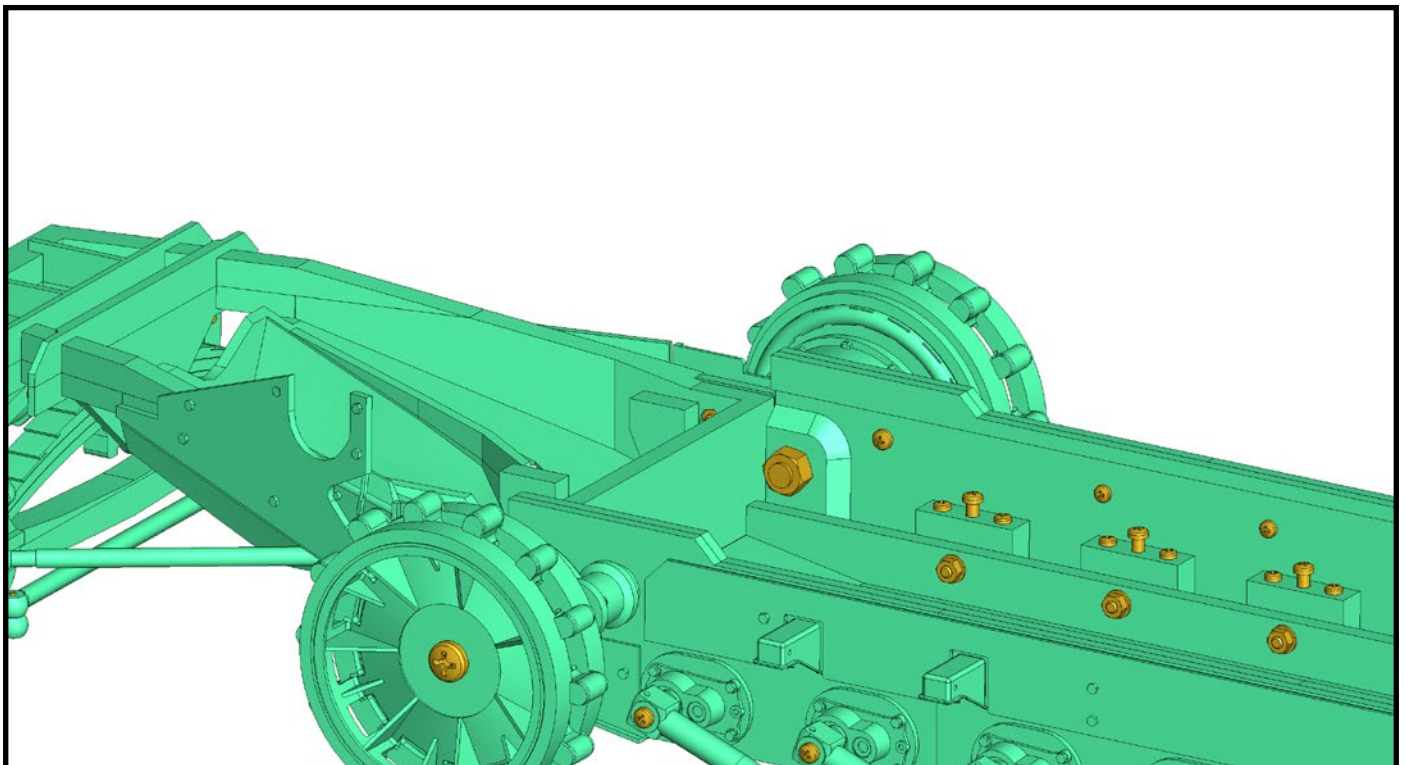
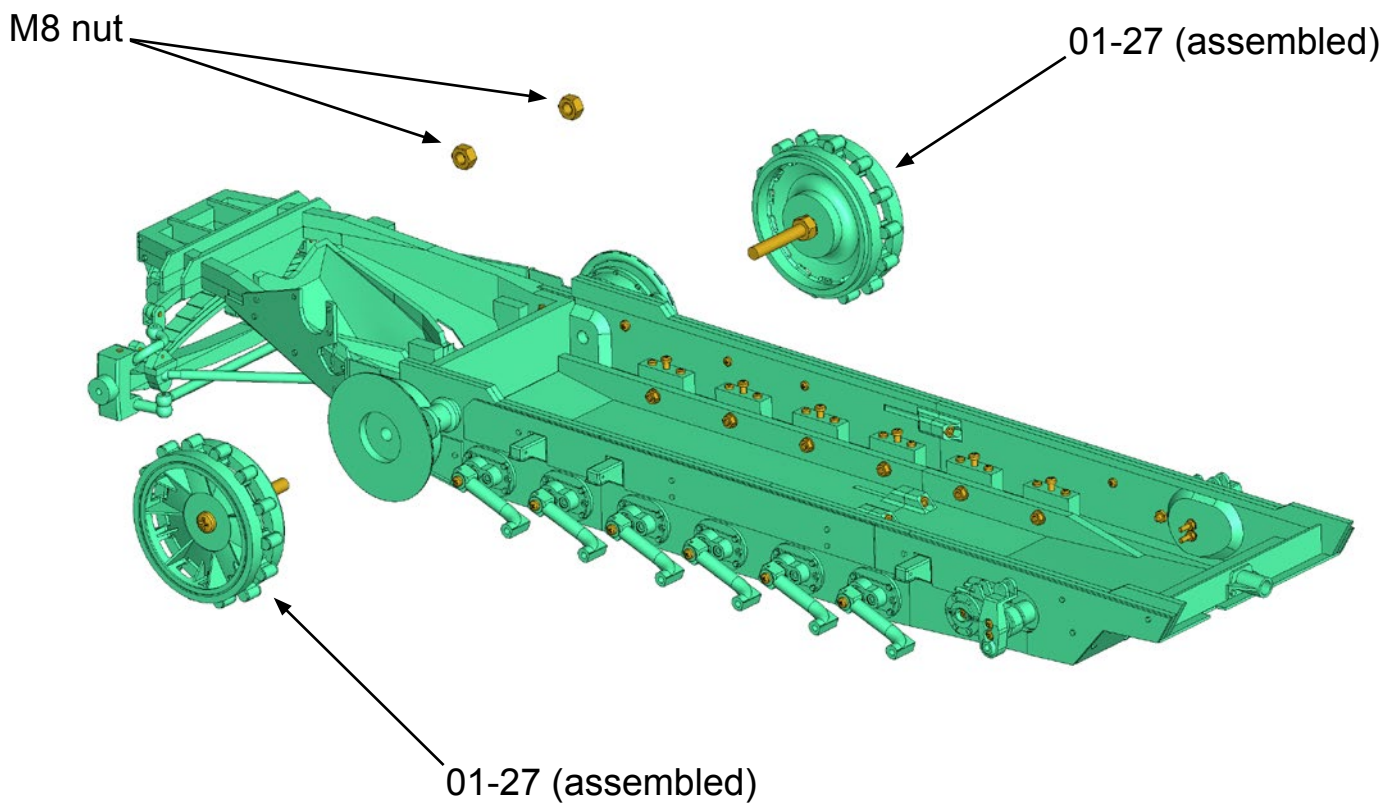
Auxiliary views for installation of the parts 01-26G.

2x

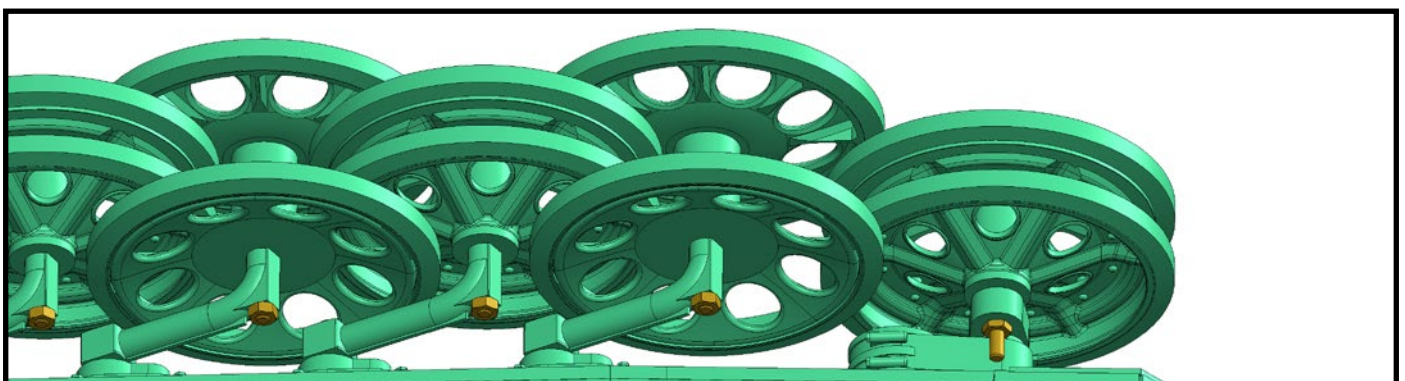
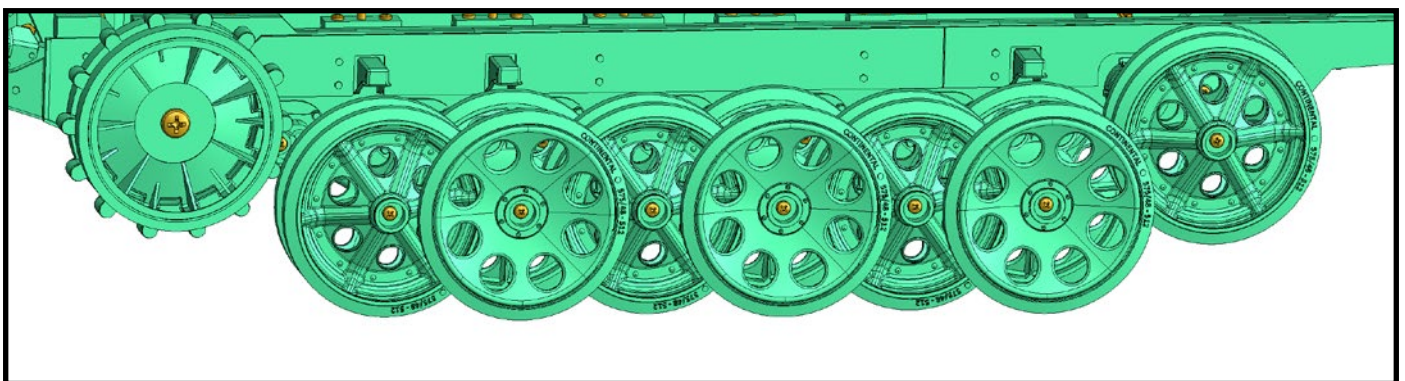
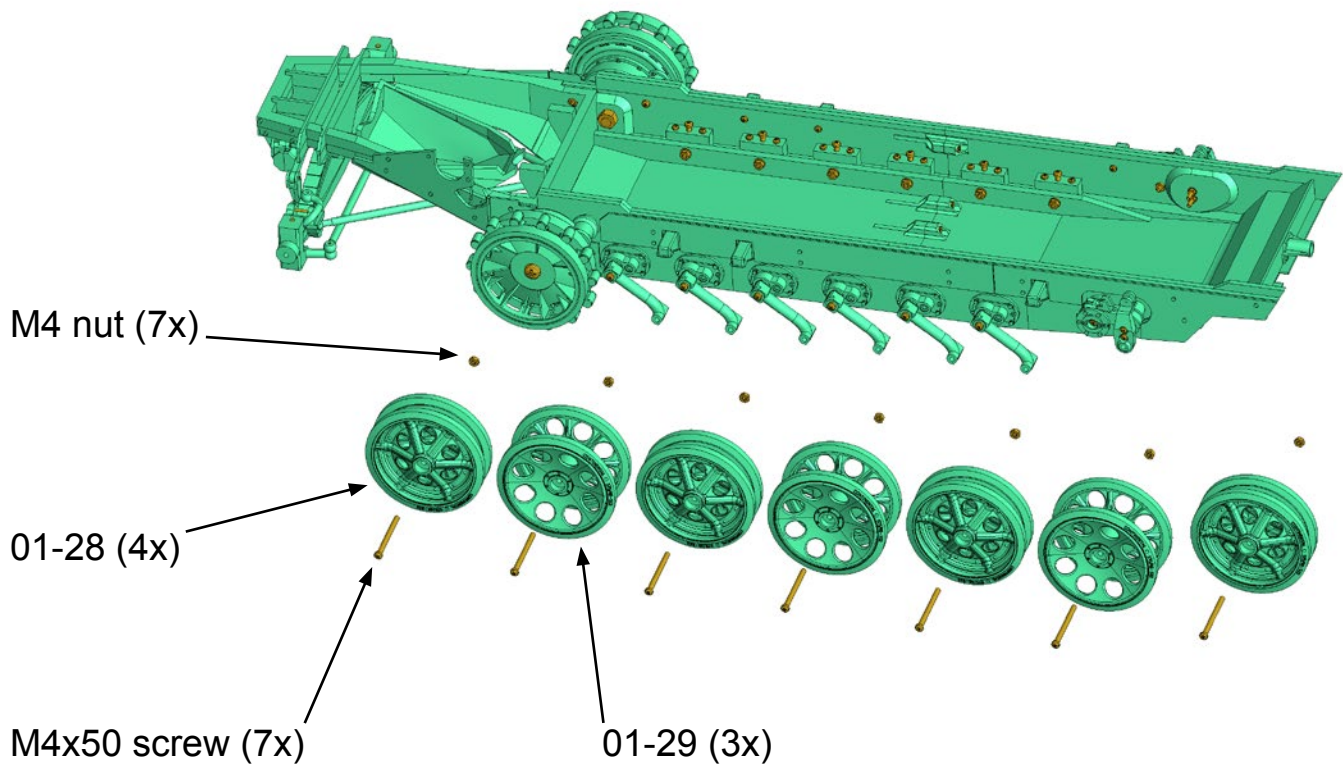
M8x70 screw



Insert an M8x70 screw and two M8 nuts into part 01-27. Repeat twice.

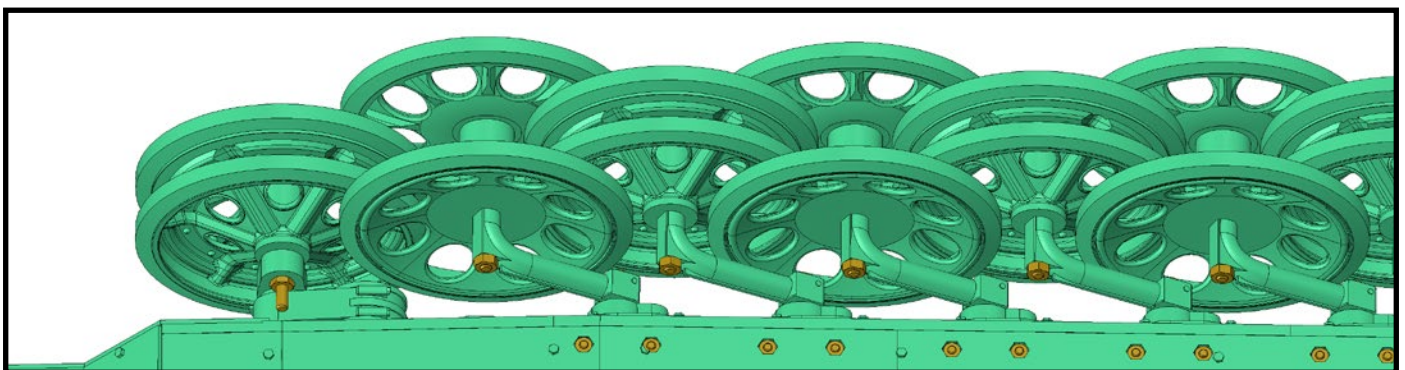
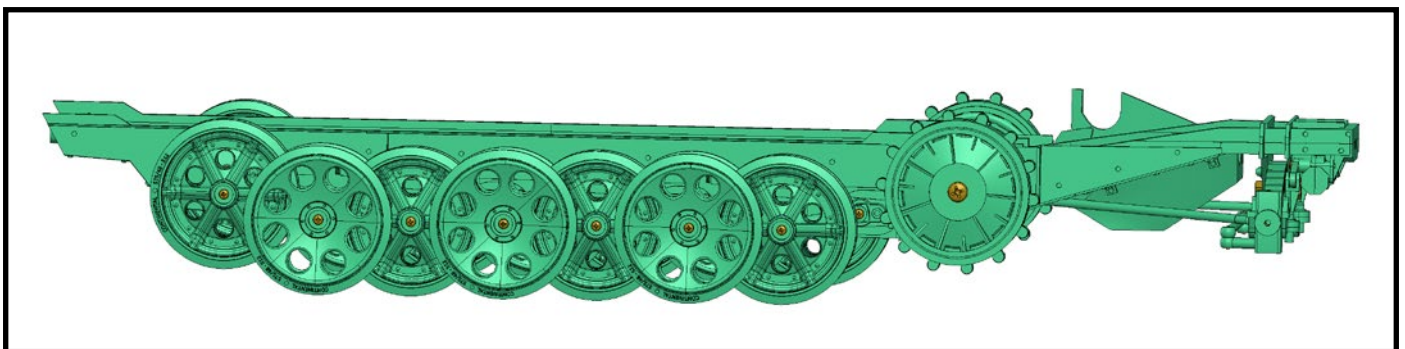
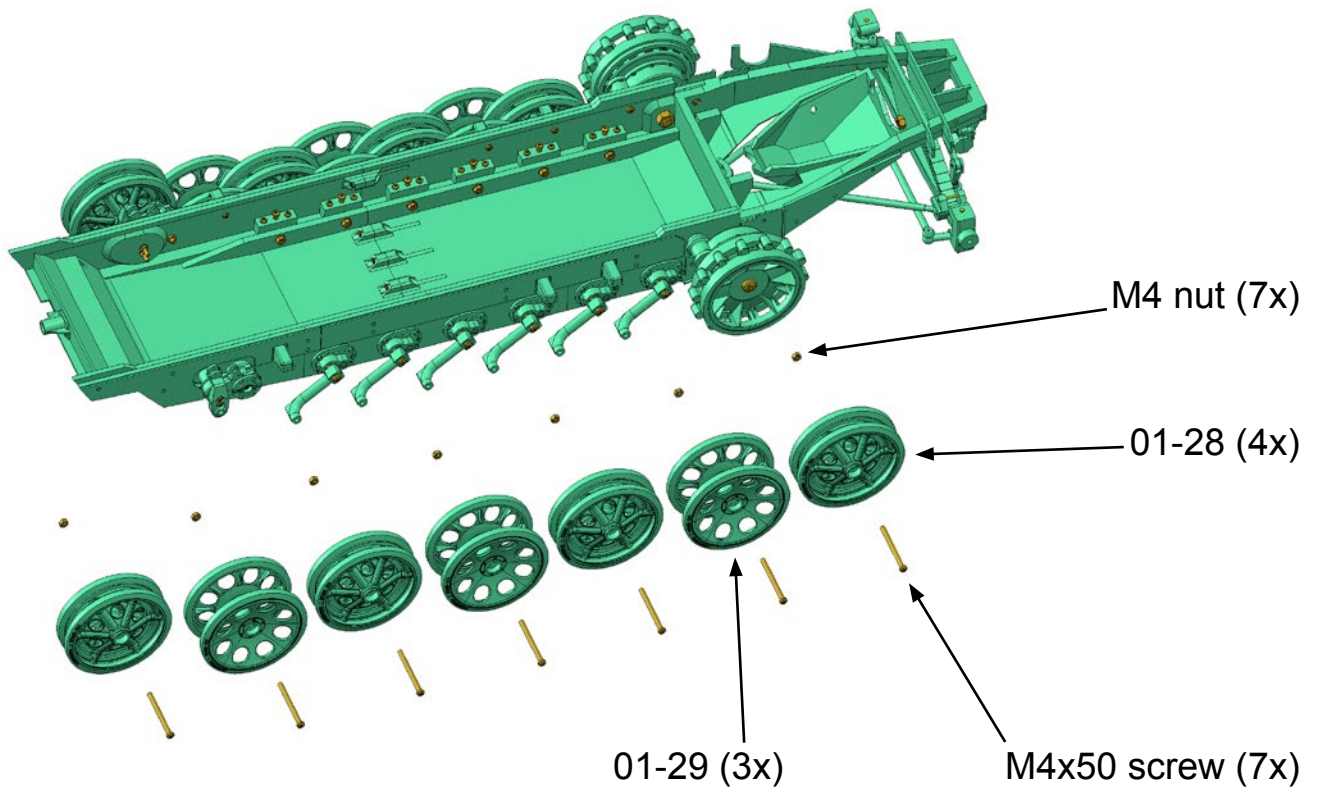


Connect assemblies 01-27 to parts 01-13 and 01-14.
Use M8 nuts.

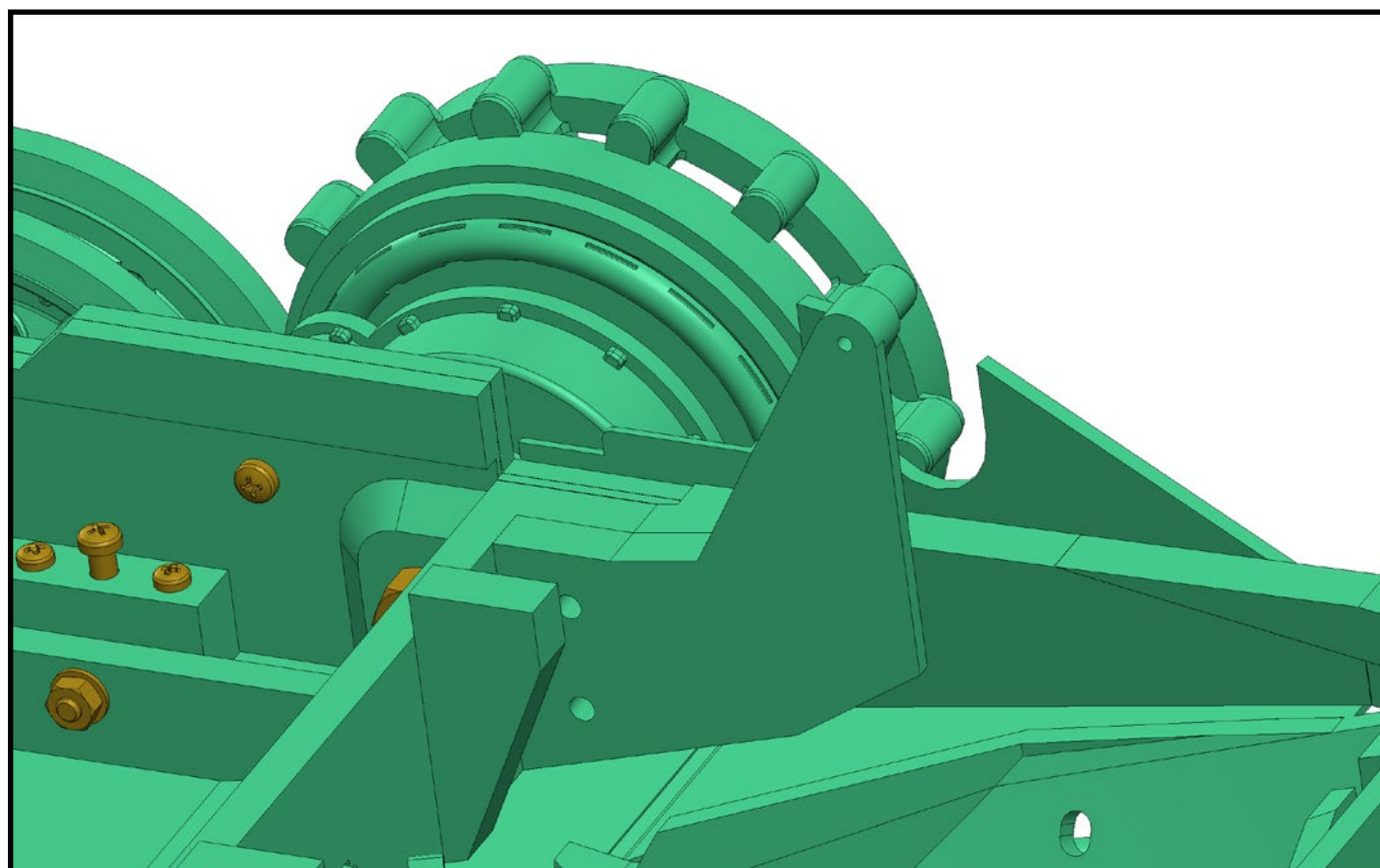
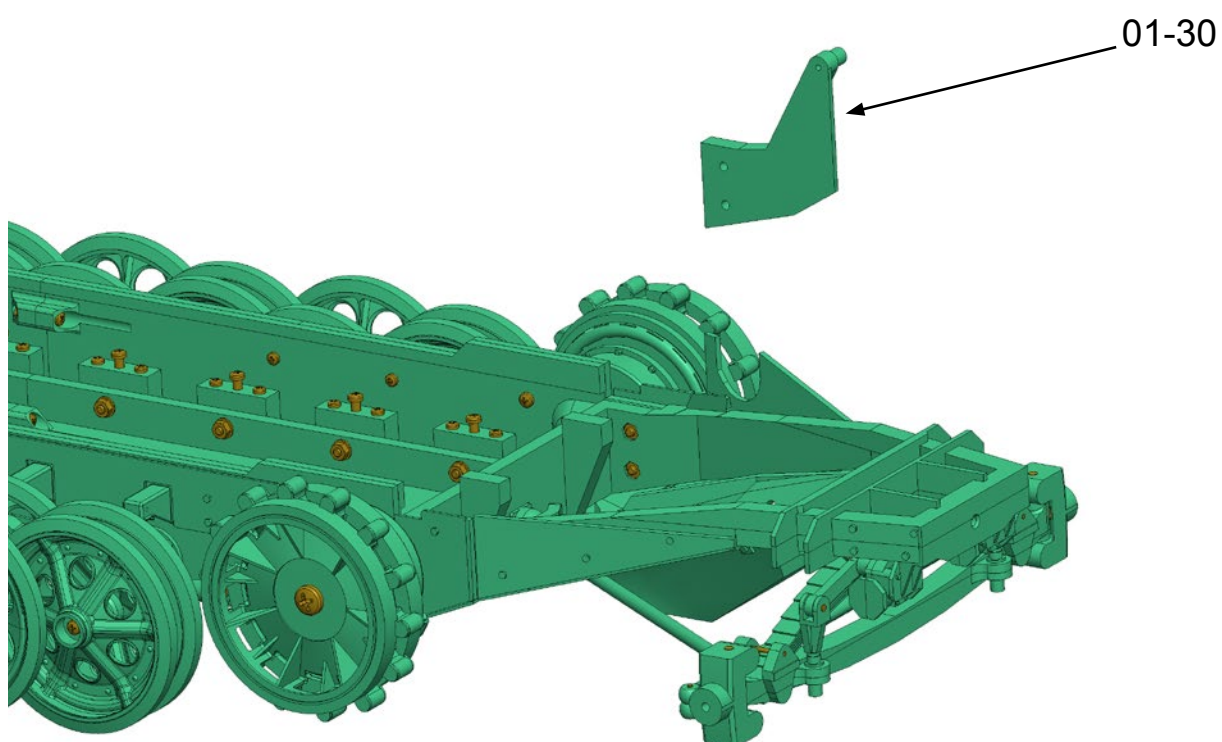


Connect 4 assemblies 01-28 and 3 assemblies 01-29 to parts 01-15 and 01-22.

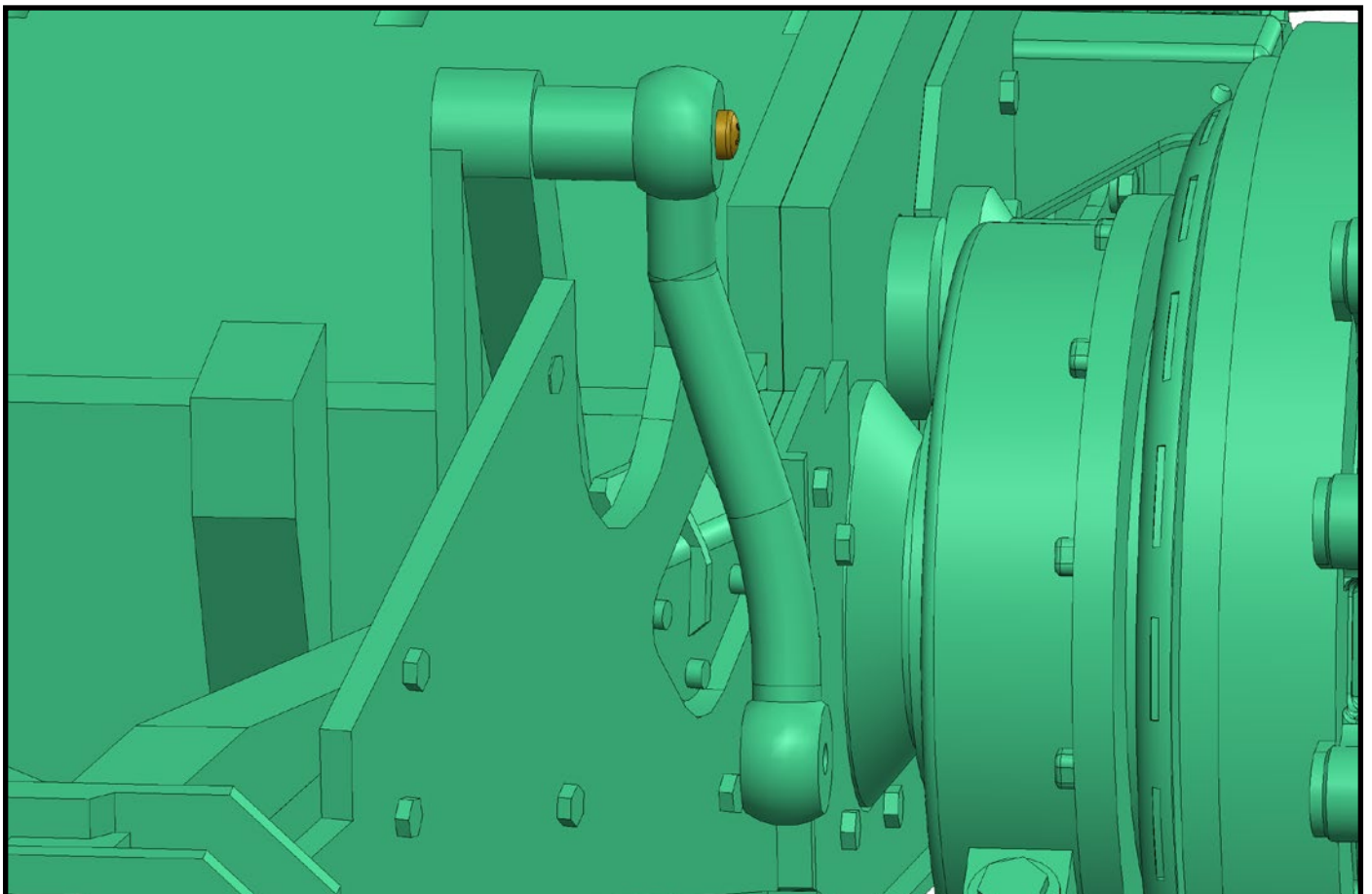
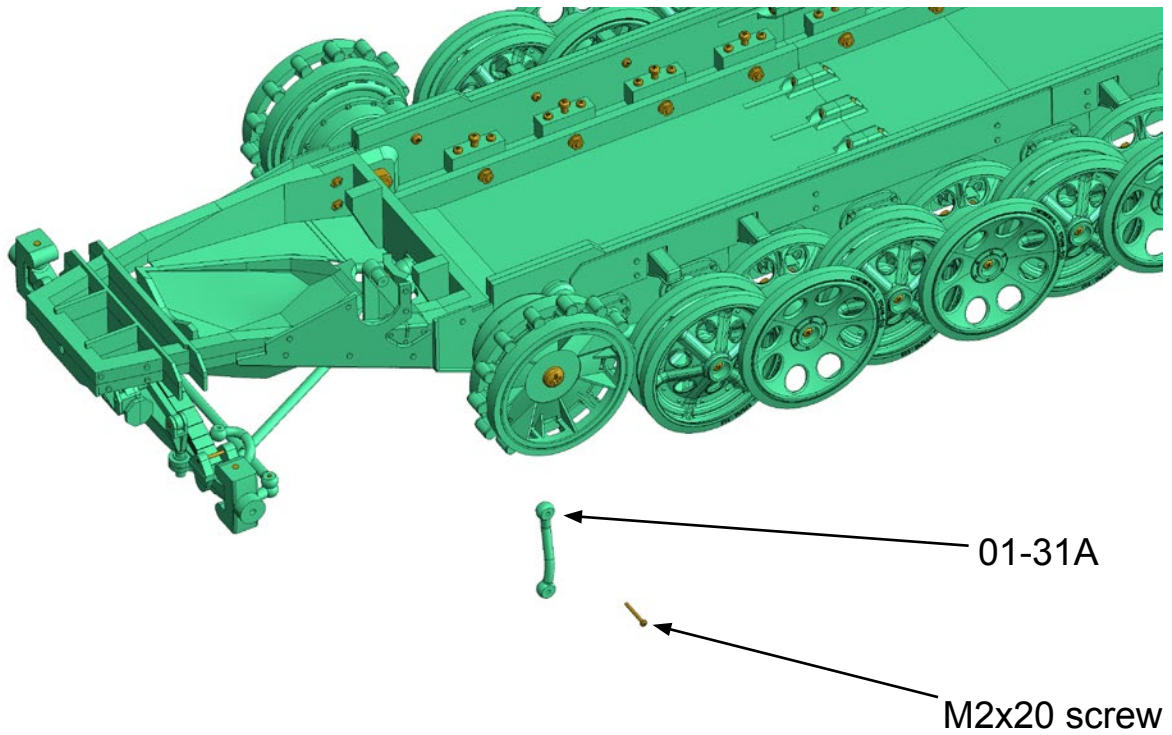
Use M4x50 screws (7x) and M4 nuts (7x).



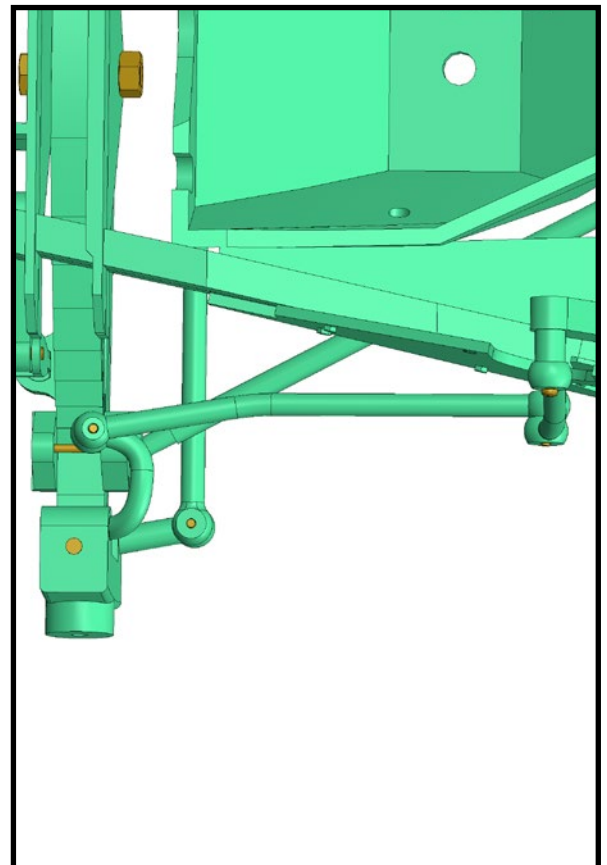
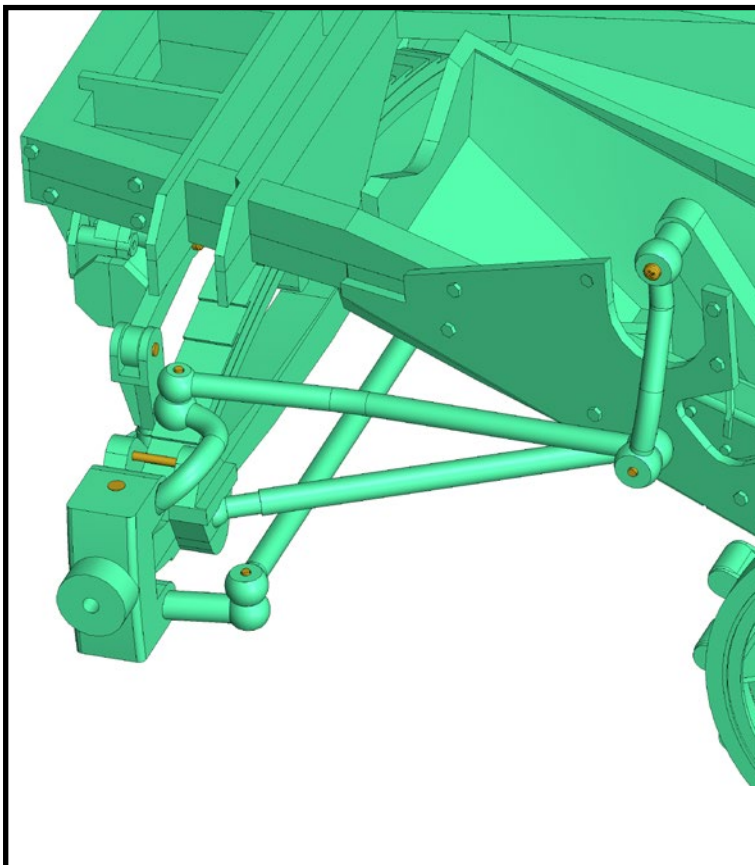
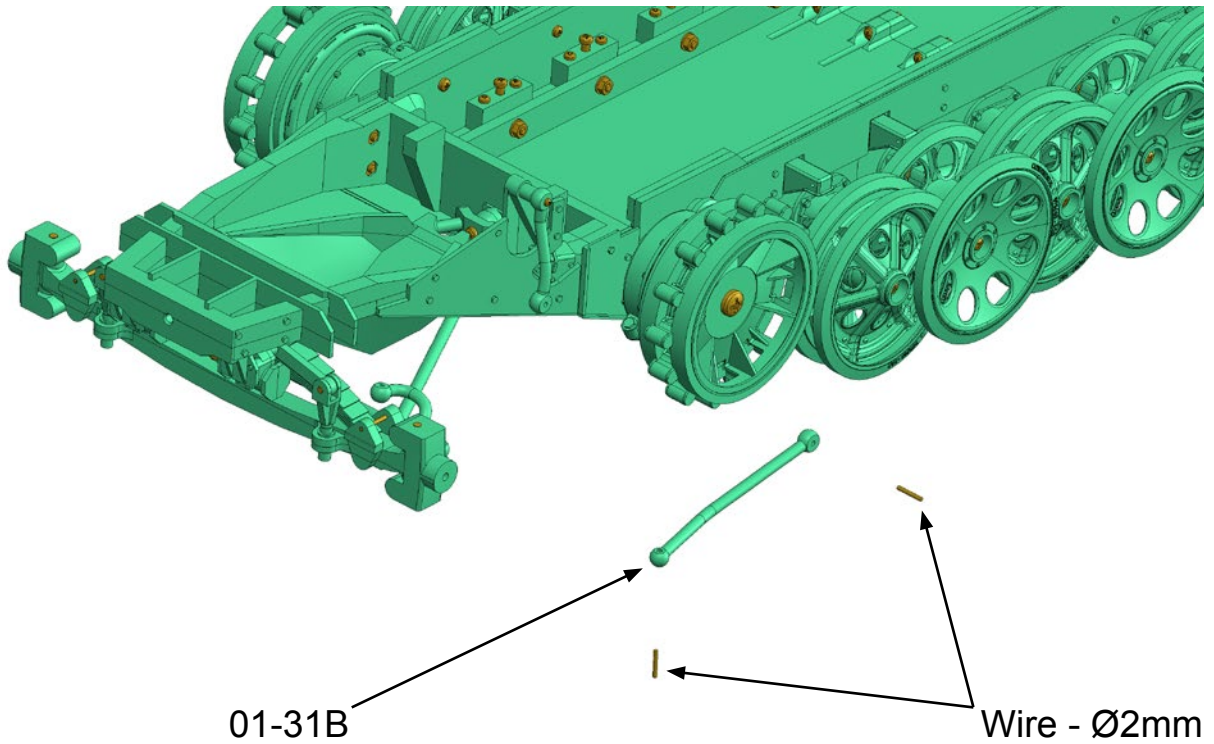
Connect 4 assemblies 01-28 and 3 assemblies 01-29 to parts 01-15 and 01-22 on the right side.
Use M4x50 screws (7x) and M4 nuts (7x).



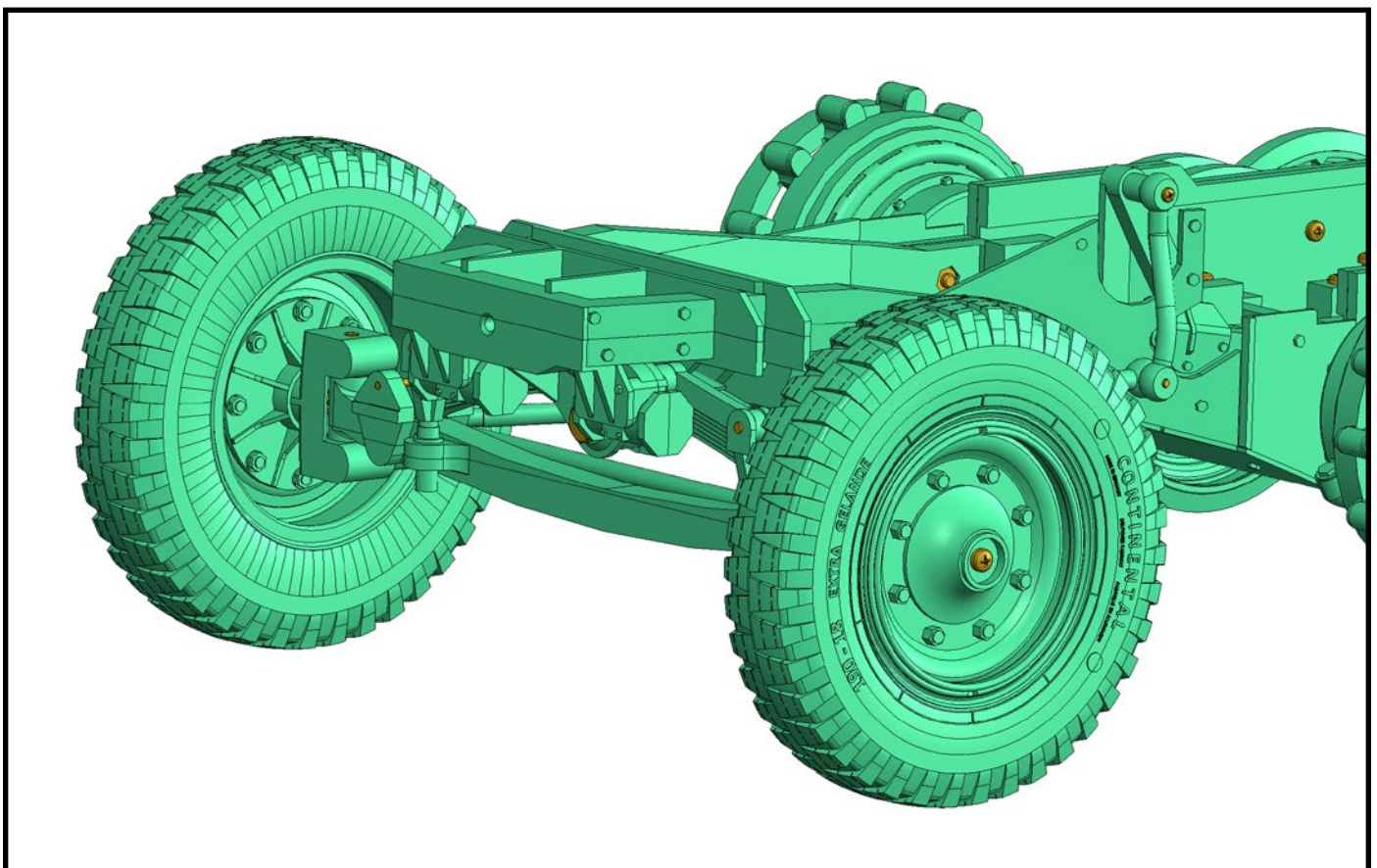
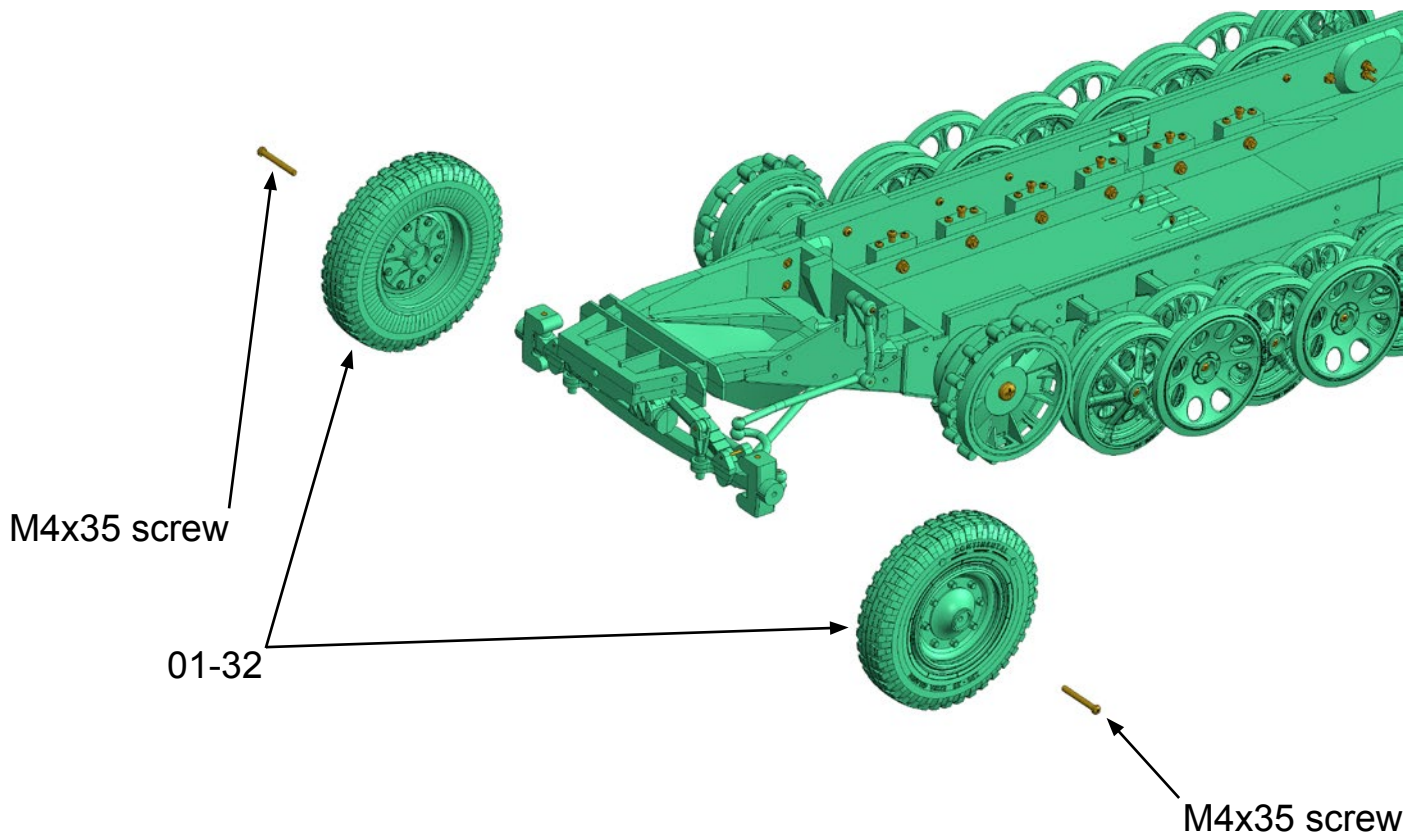
Glue part 01-30 to assembly 01-01.



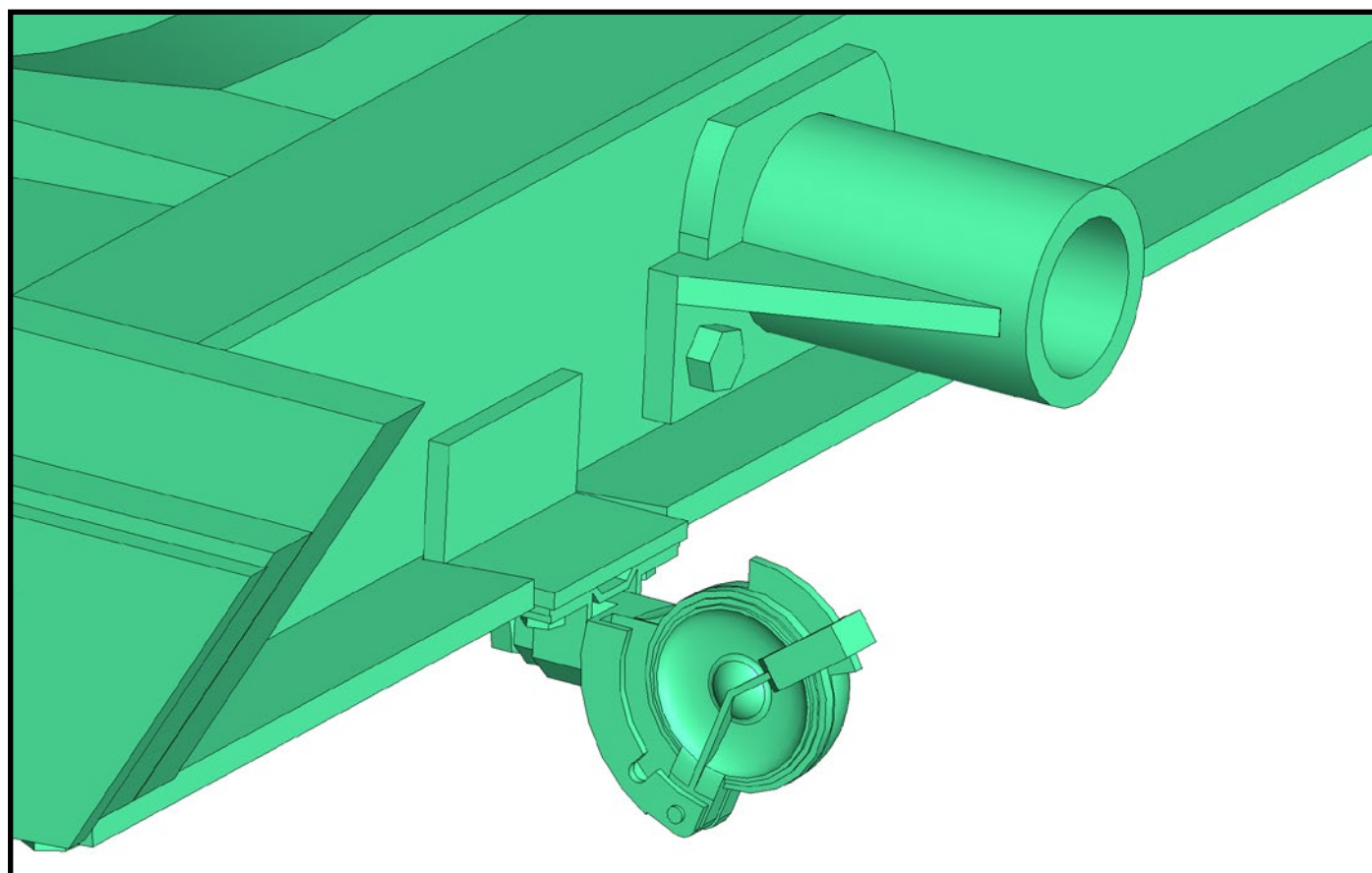
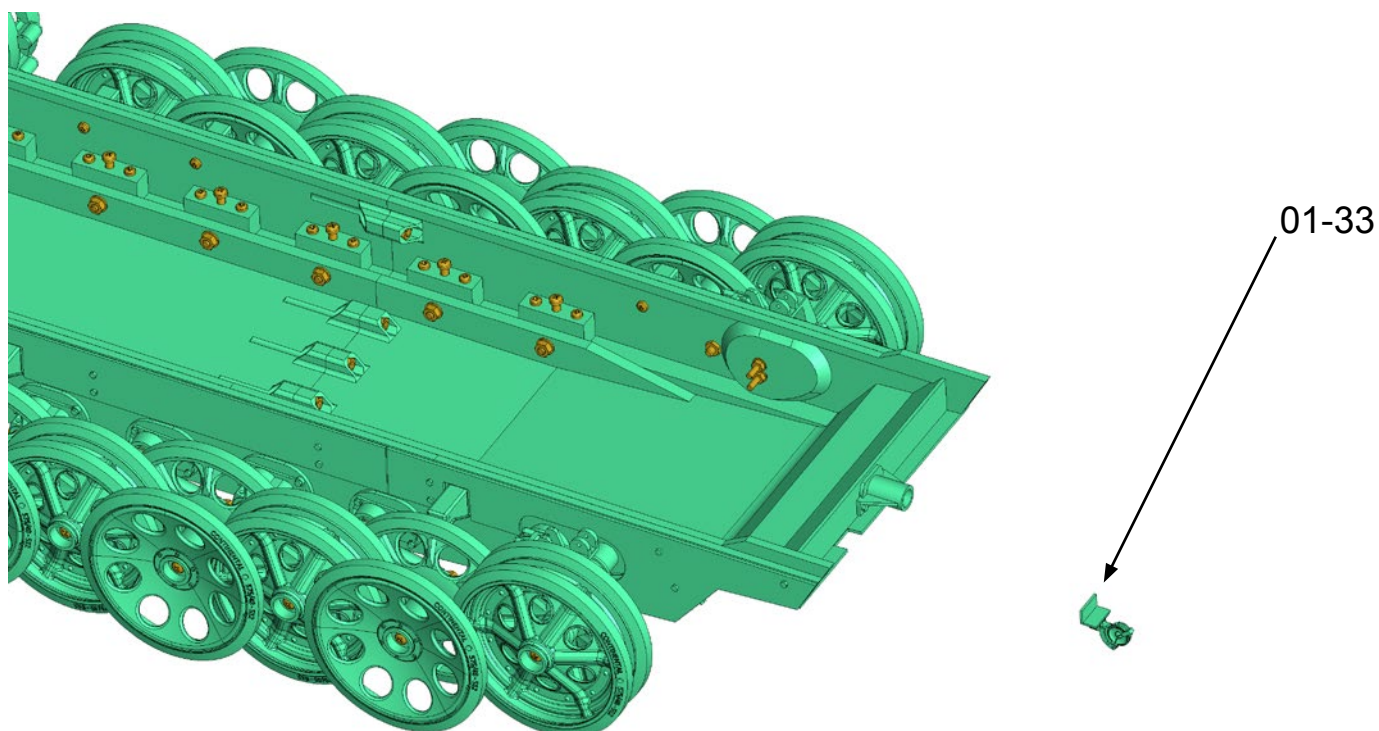
Attach part 01-31A to part 01-30 using an M2x20 screw.



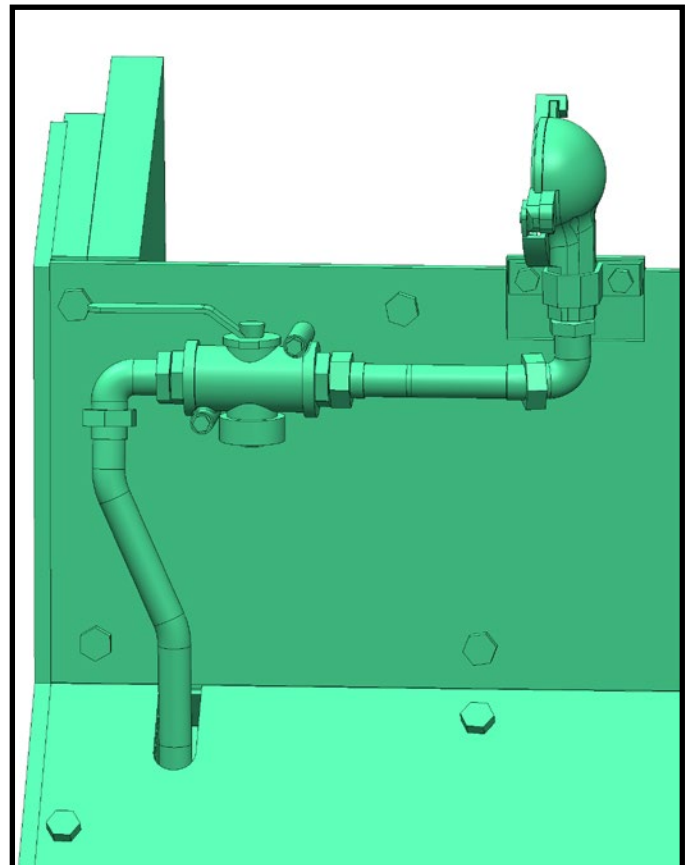
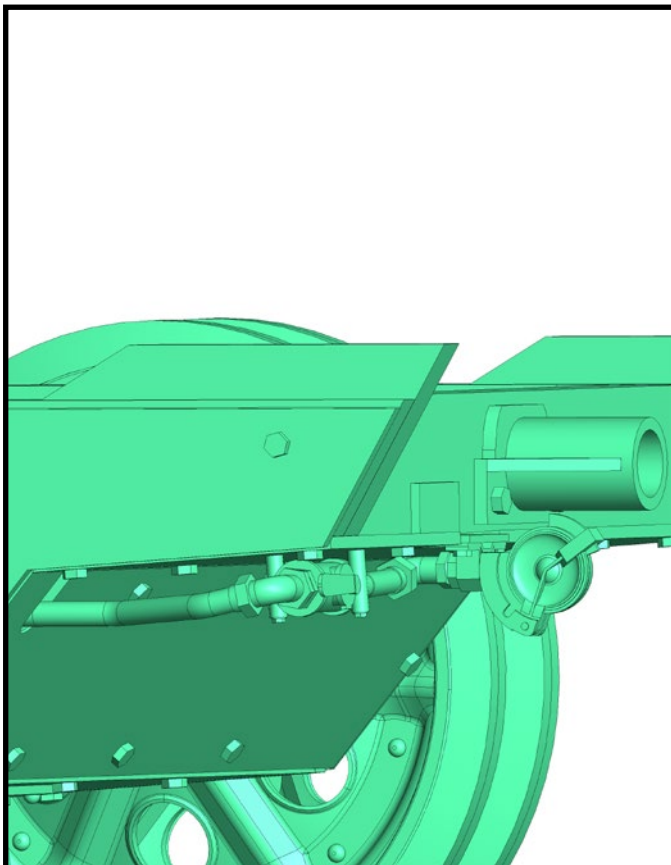
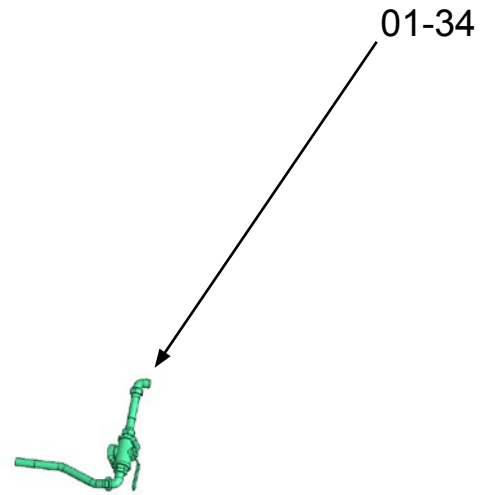
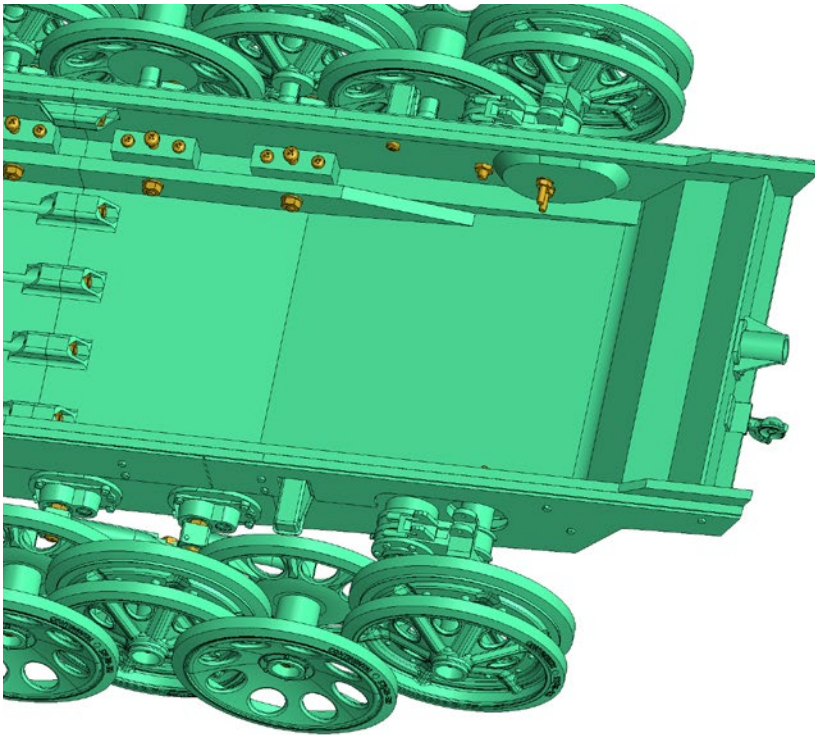
Connect part 01-31B to assembly 01-26 and part 01-30 using 2 mm wire.



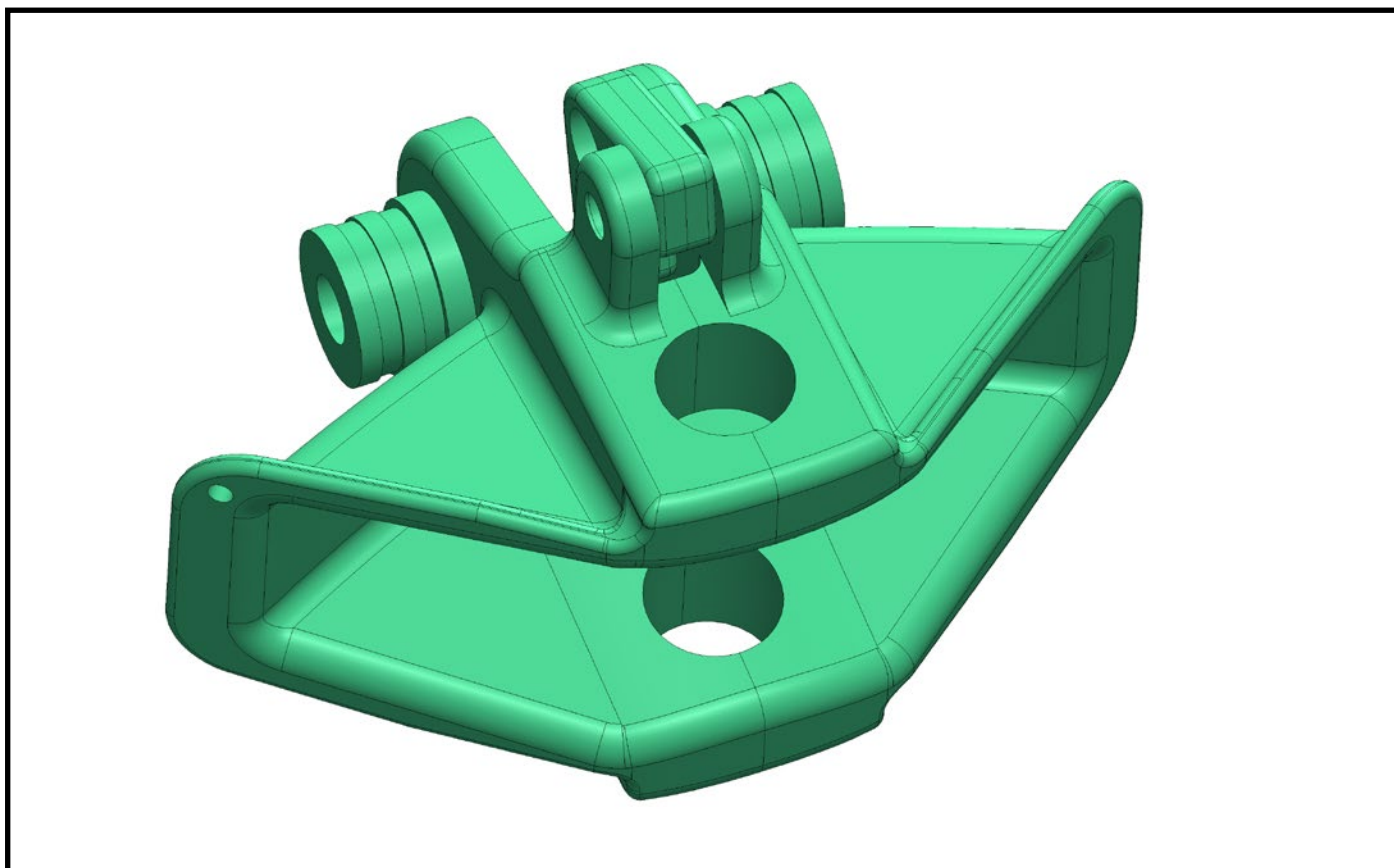
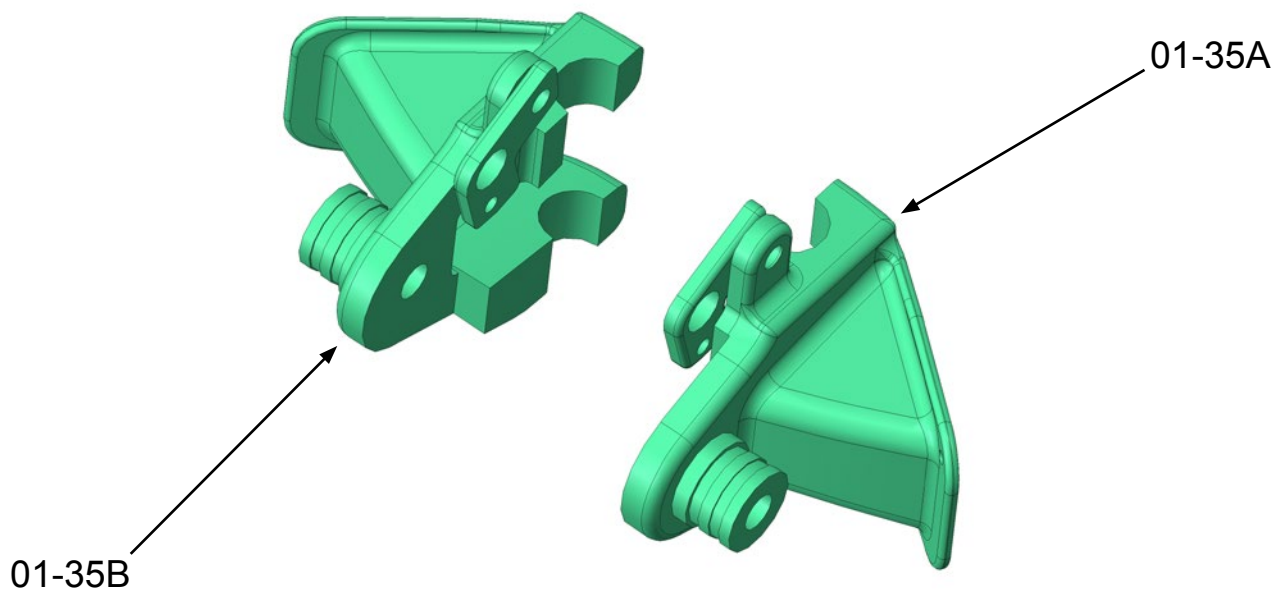
Connect Parts 01-32 to assembly 01-26 using M4x35 screws.



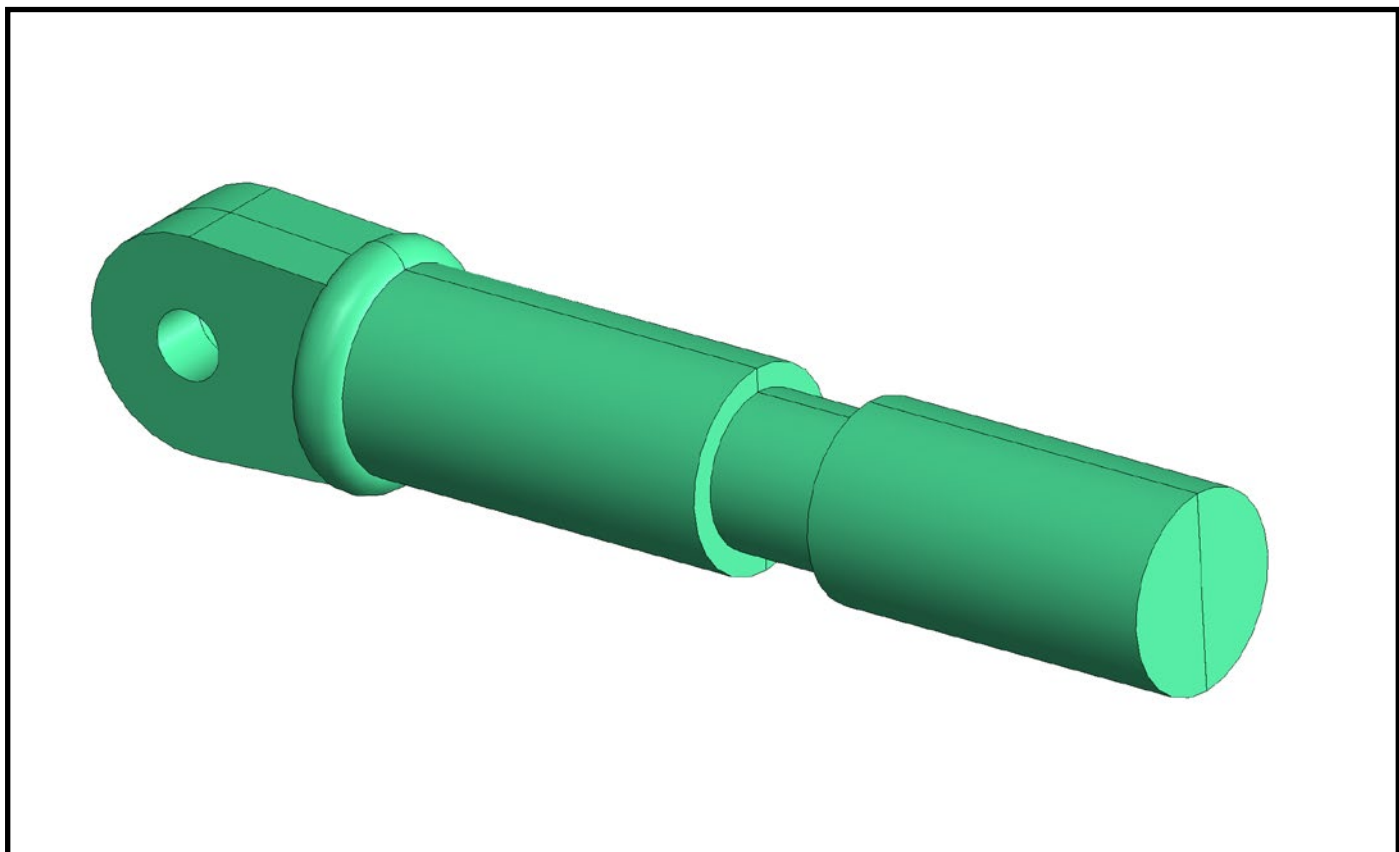
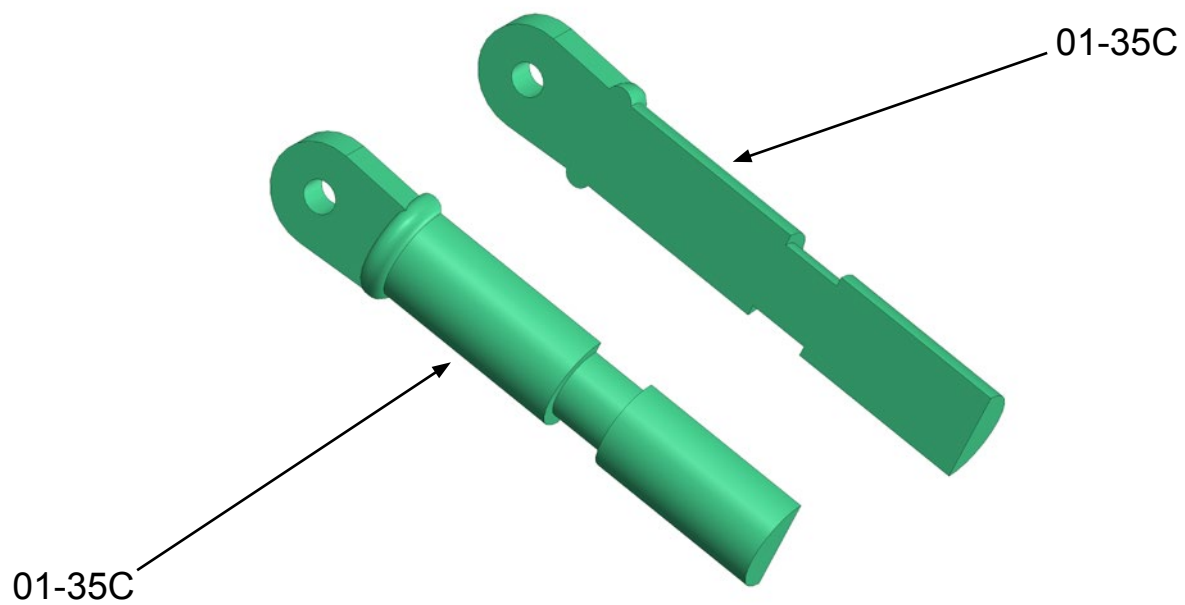
Glue part 01-33 to assembly 01-01.



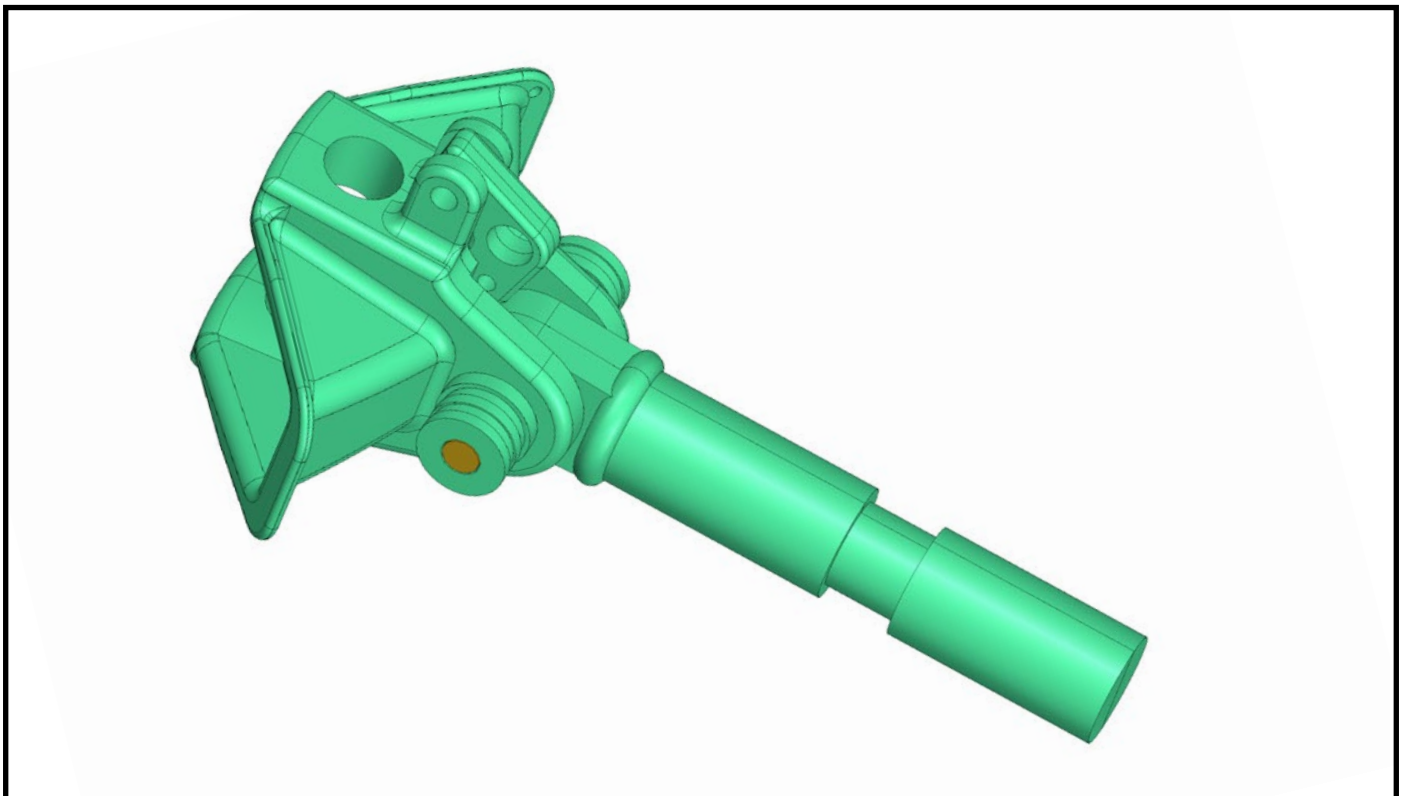
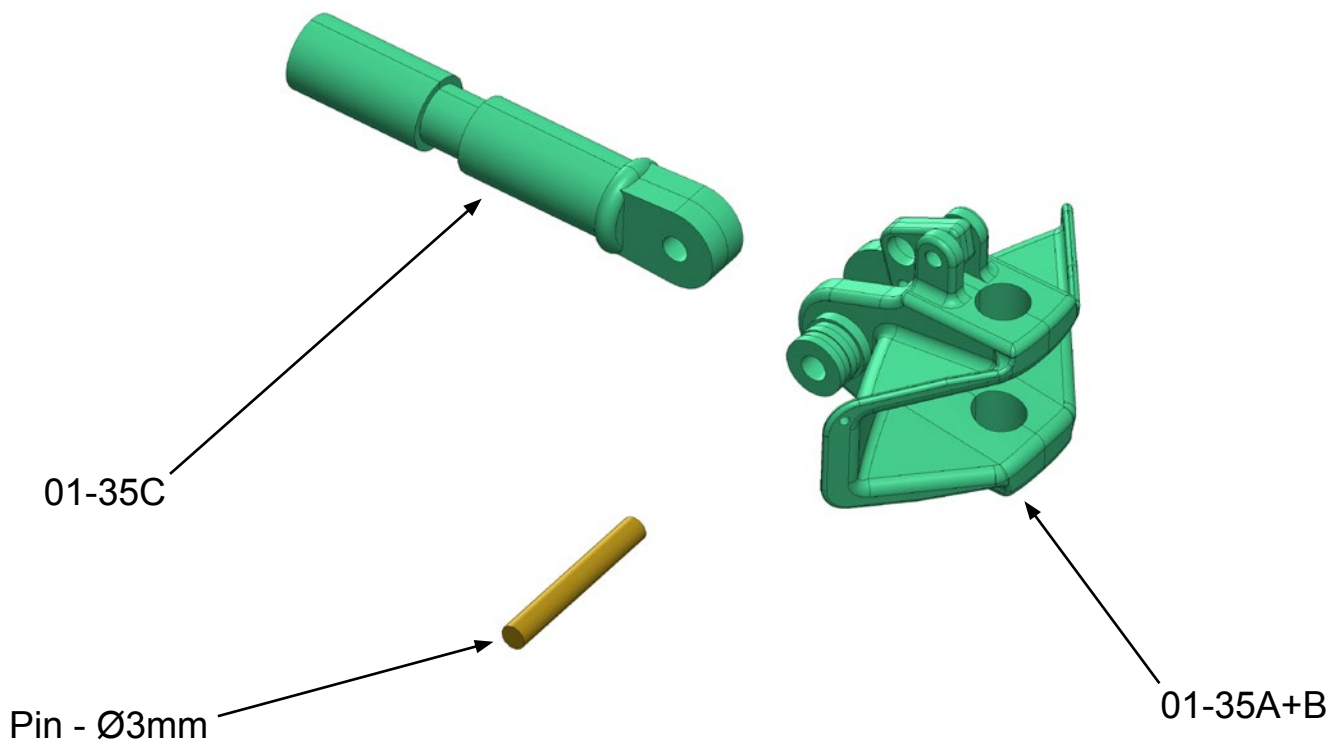
Glue part 01-34 to part 01-33 and assembly 01-01.



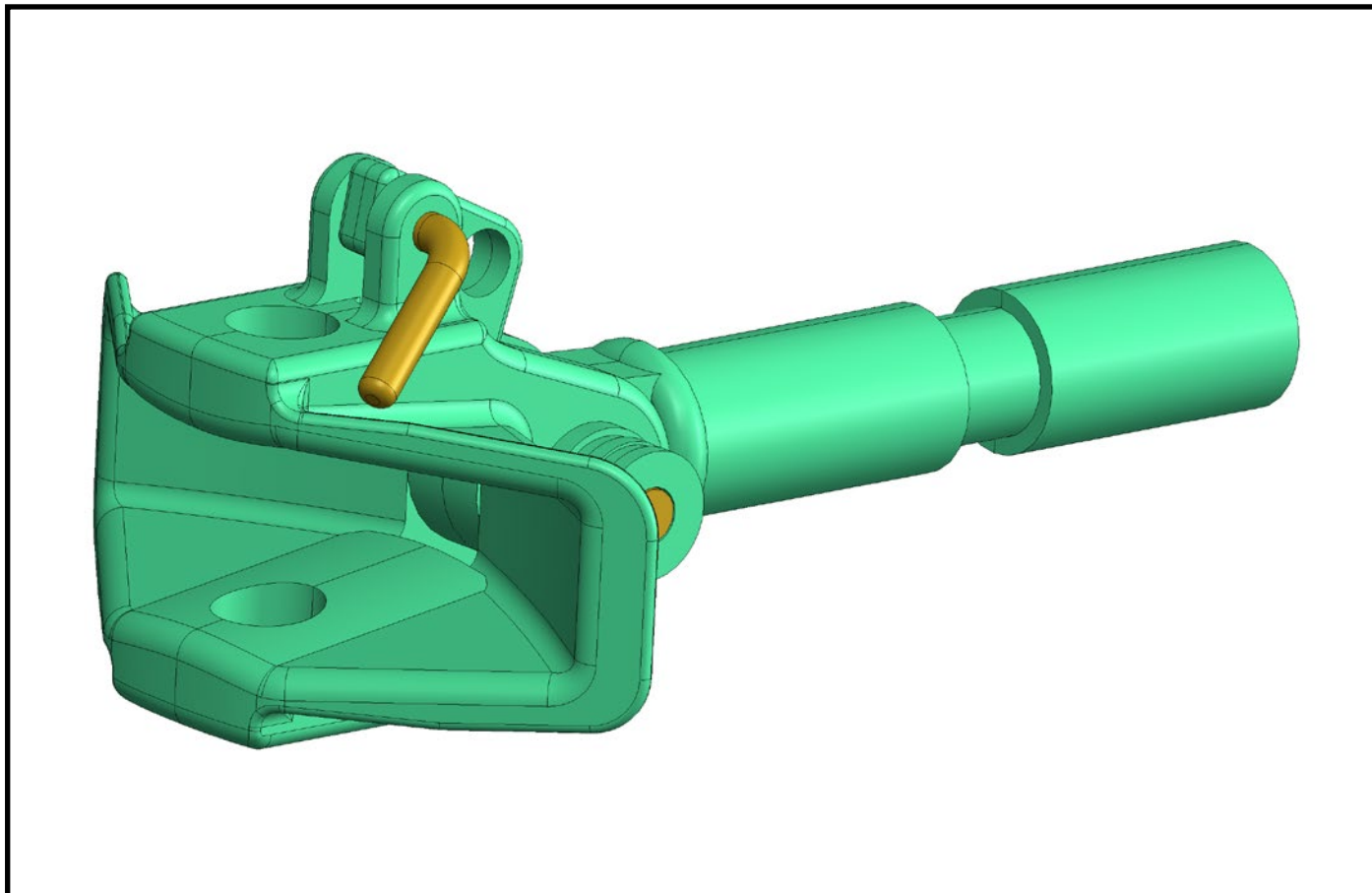
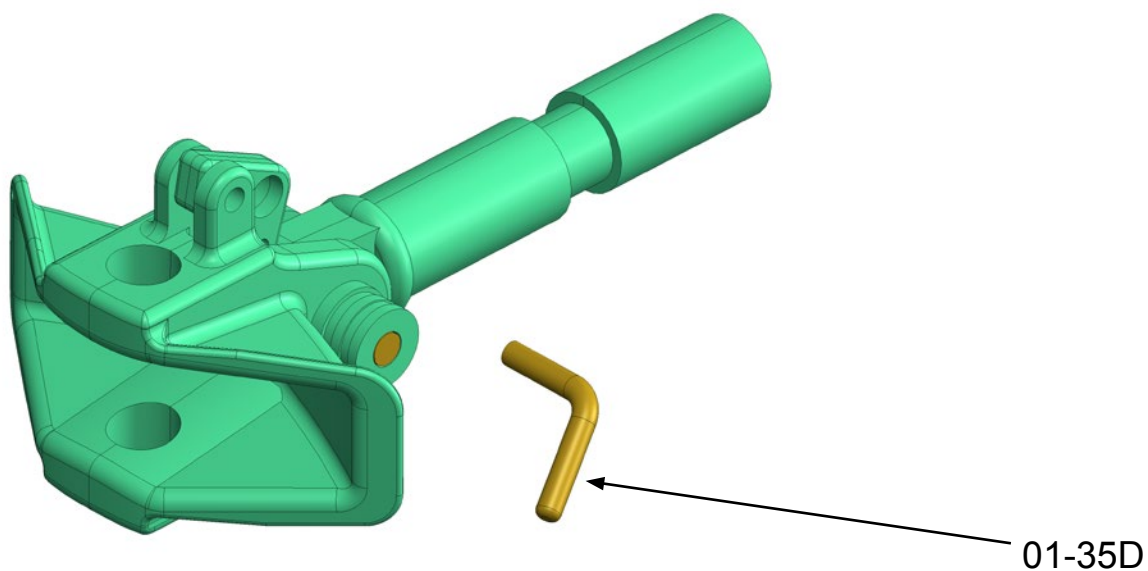
Glue together parts 01-35A and 01-35B.



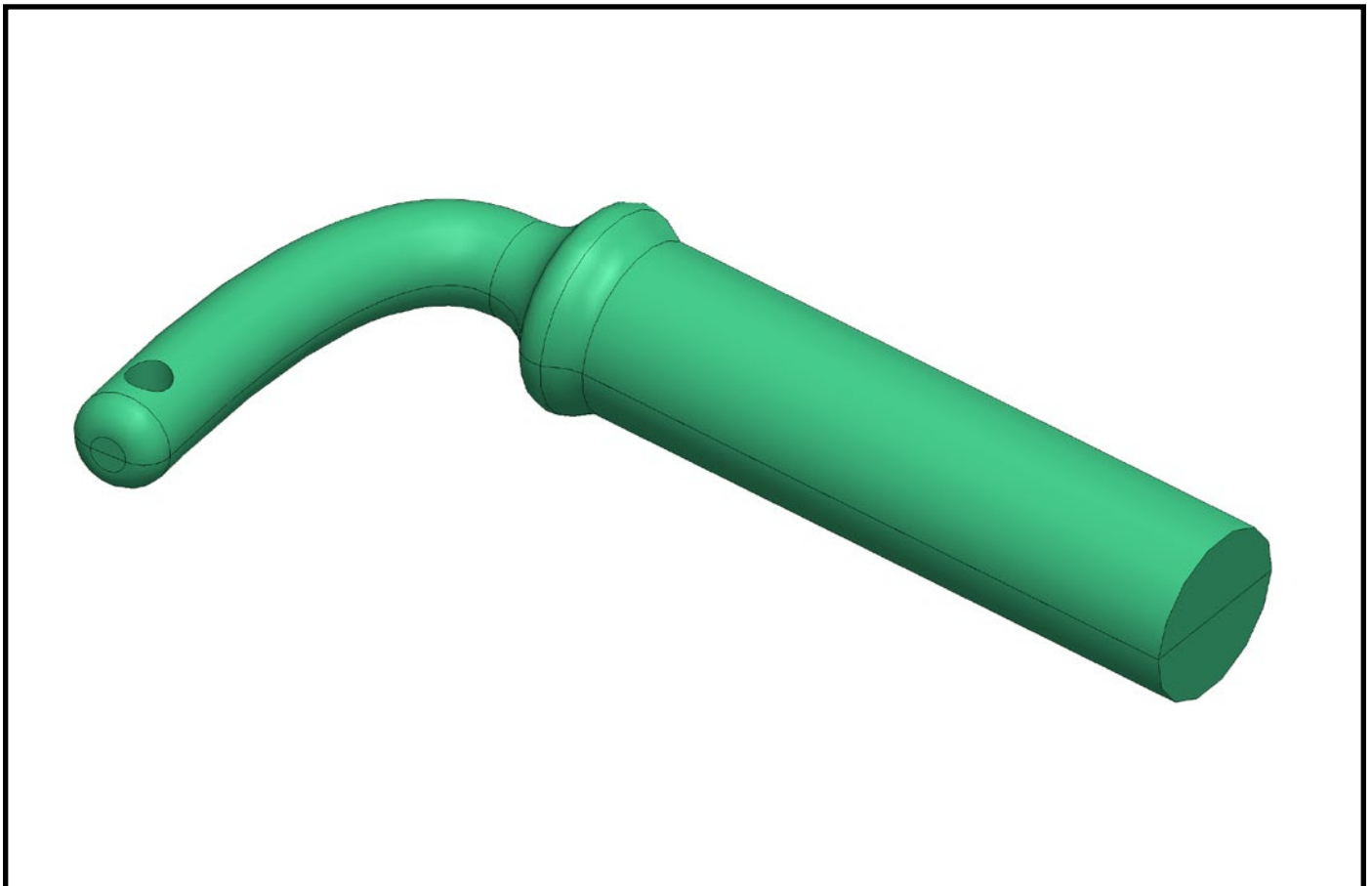
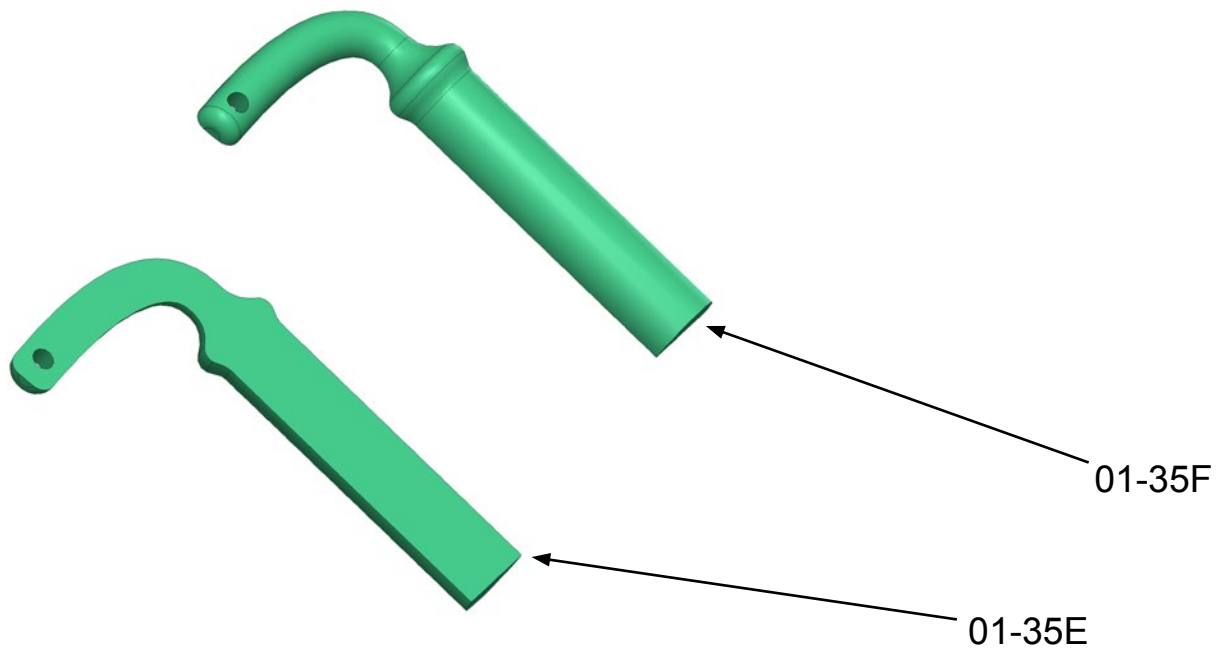
Glue together two parts 01-35C.



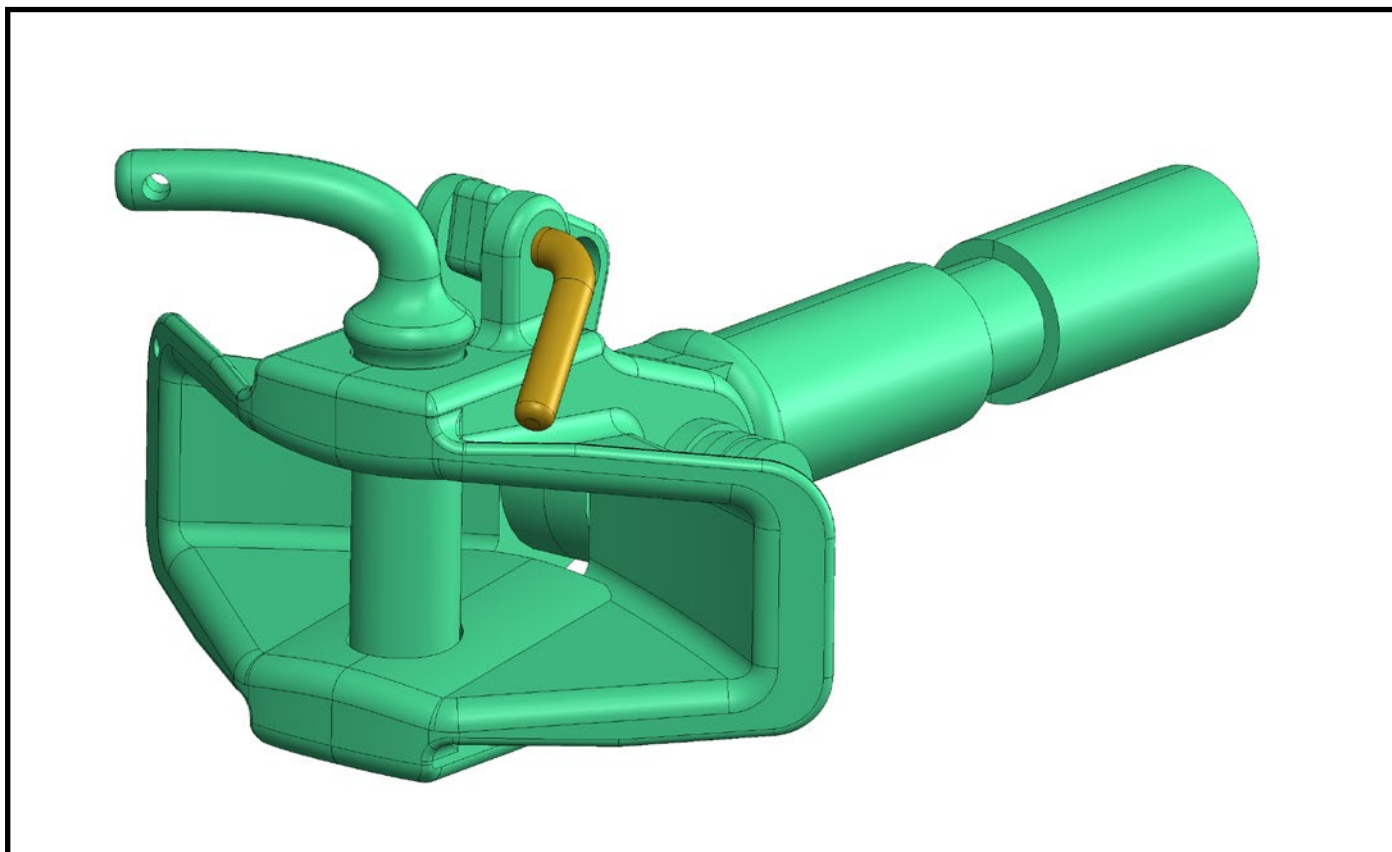
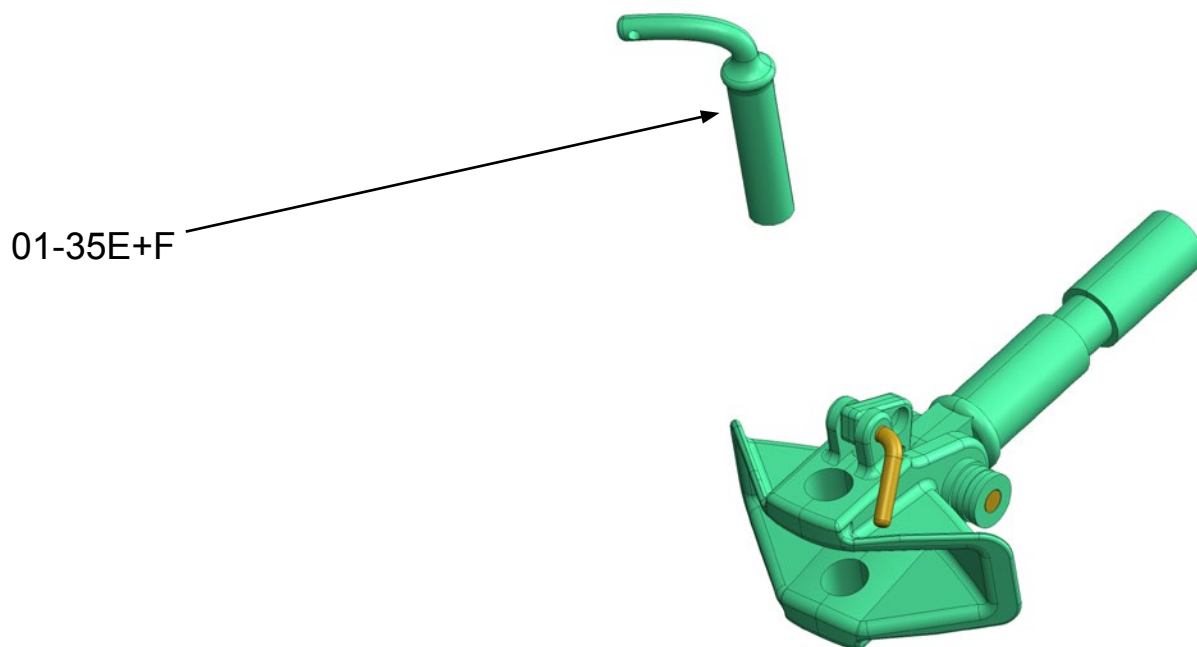
Connect parts 01-35A+B to parts 01-35C using 3x22,5mm pin.
Secure the pin with superglue to prevent it from falling out.
The parts must rotate freely.



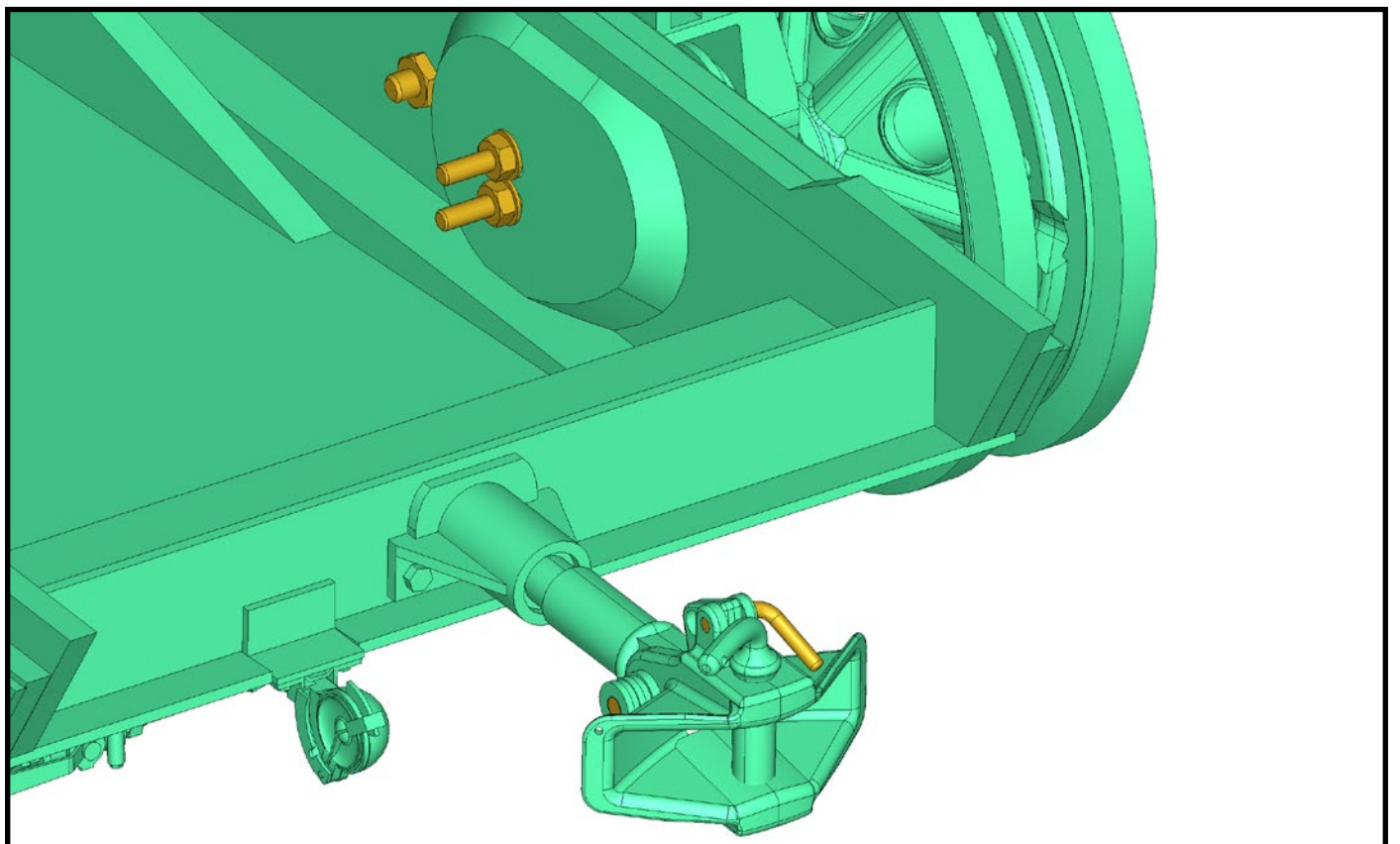
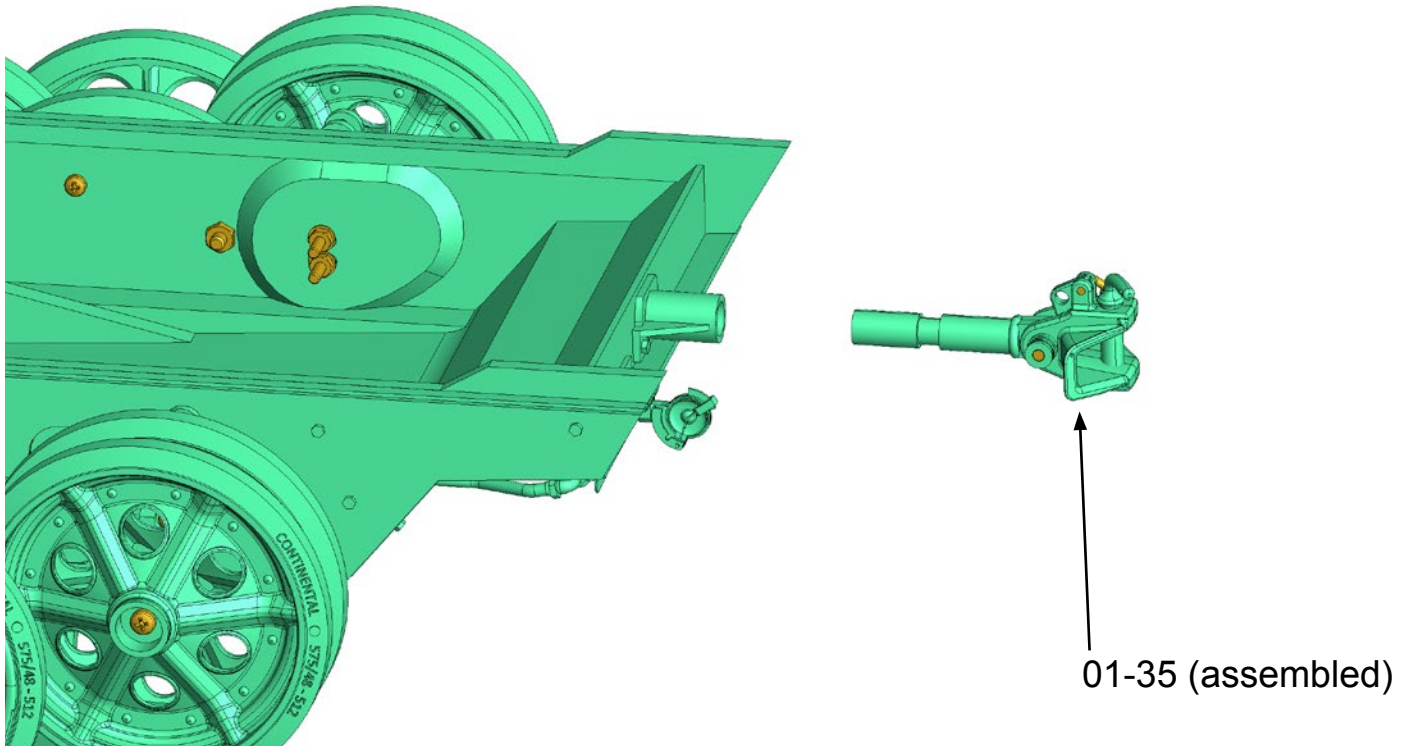
Add part 01-35D. You do not need to glue this part.



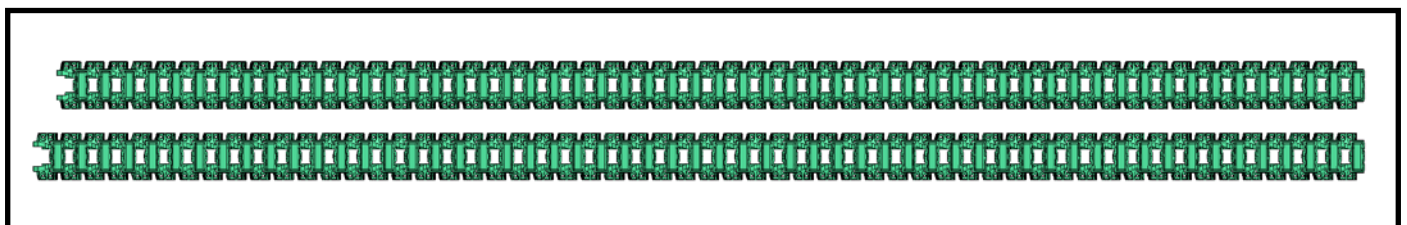
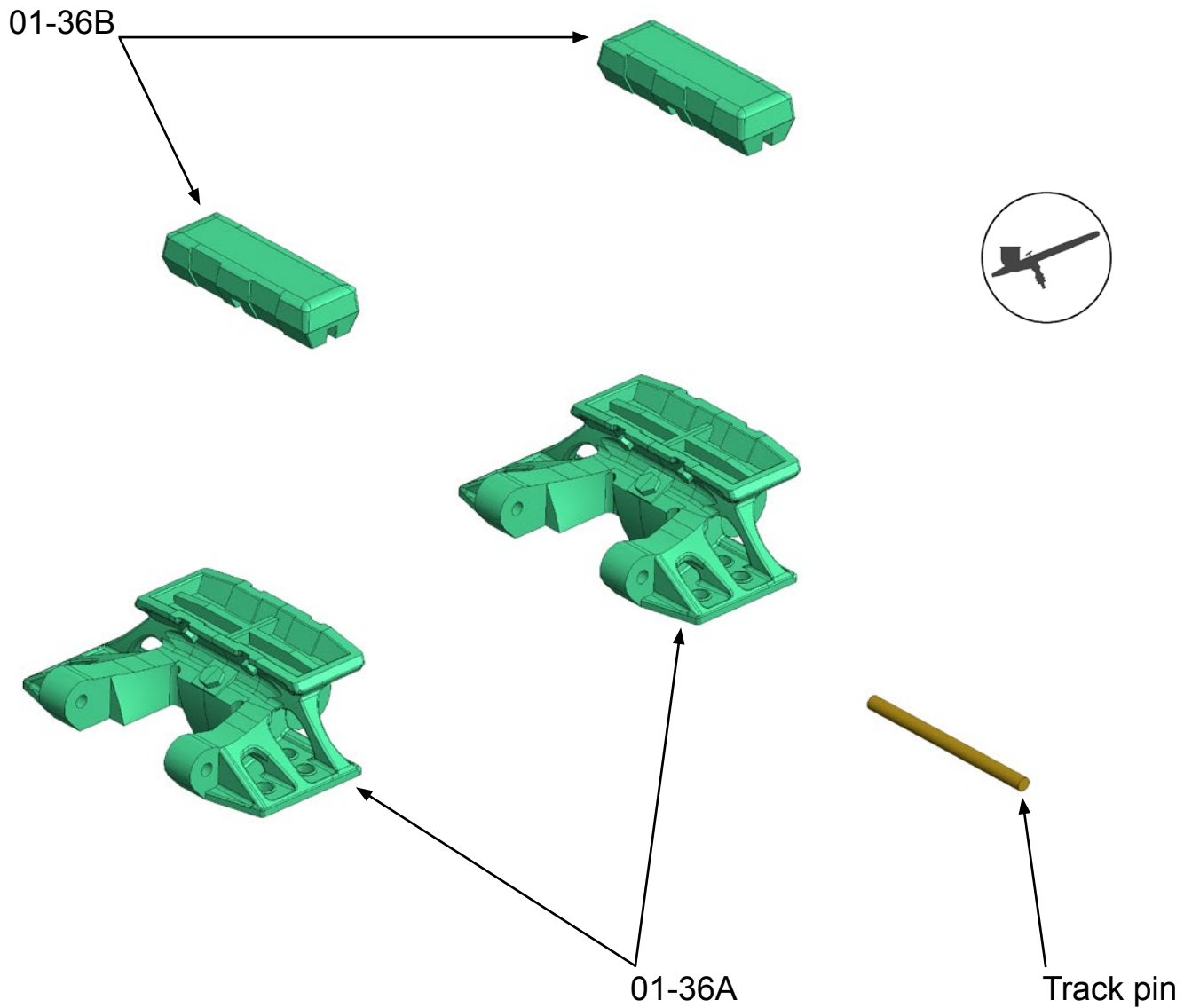
Glue together parts 01-35E and 01-35F.



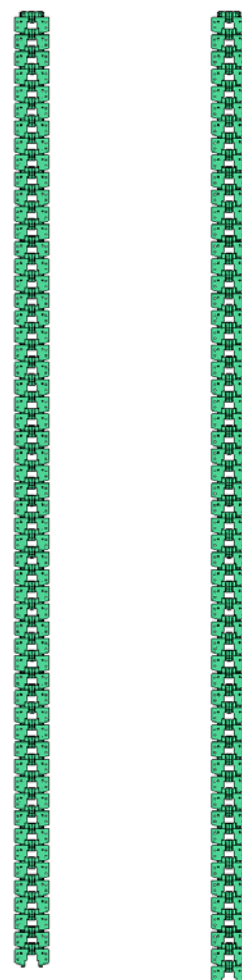
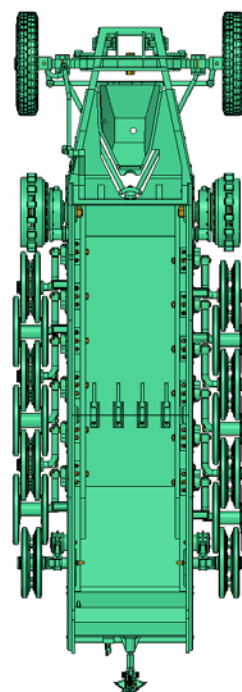
Insert parts 01-35E+F into assembly 01-35.
Do not glue the parts together.



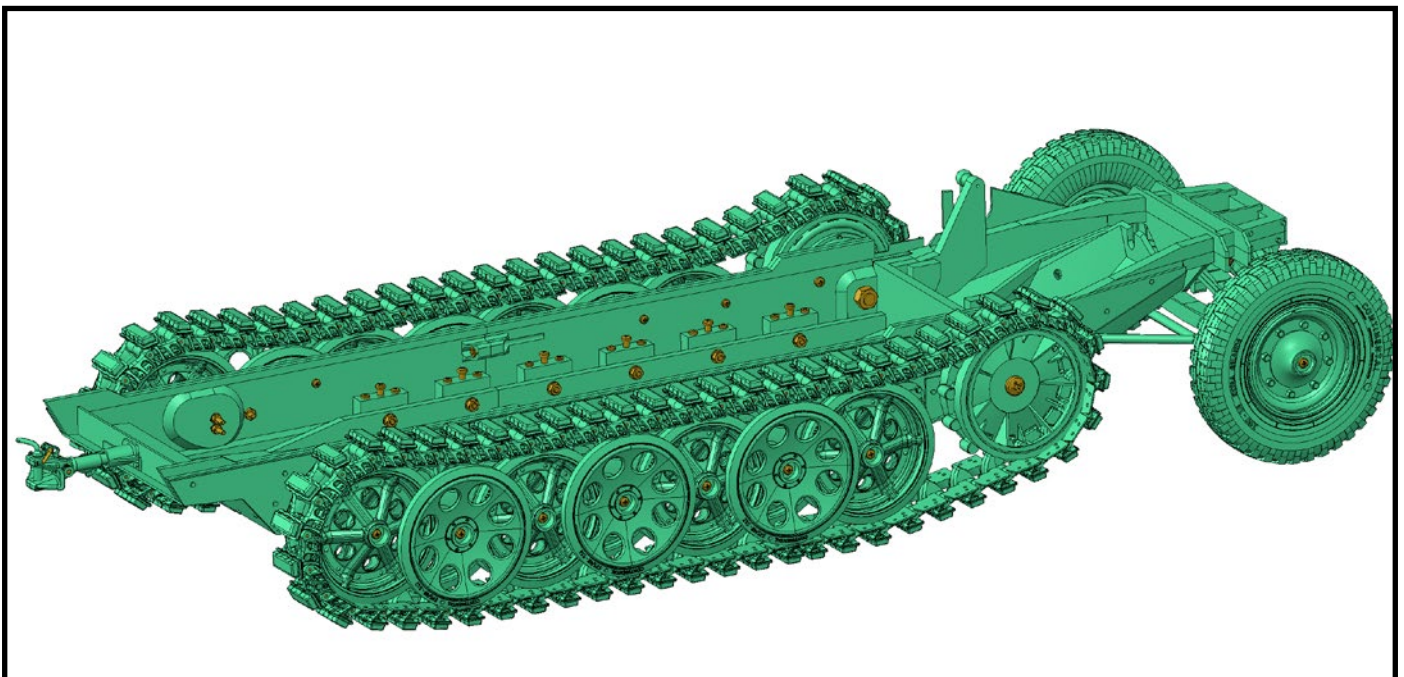
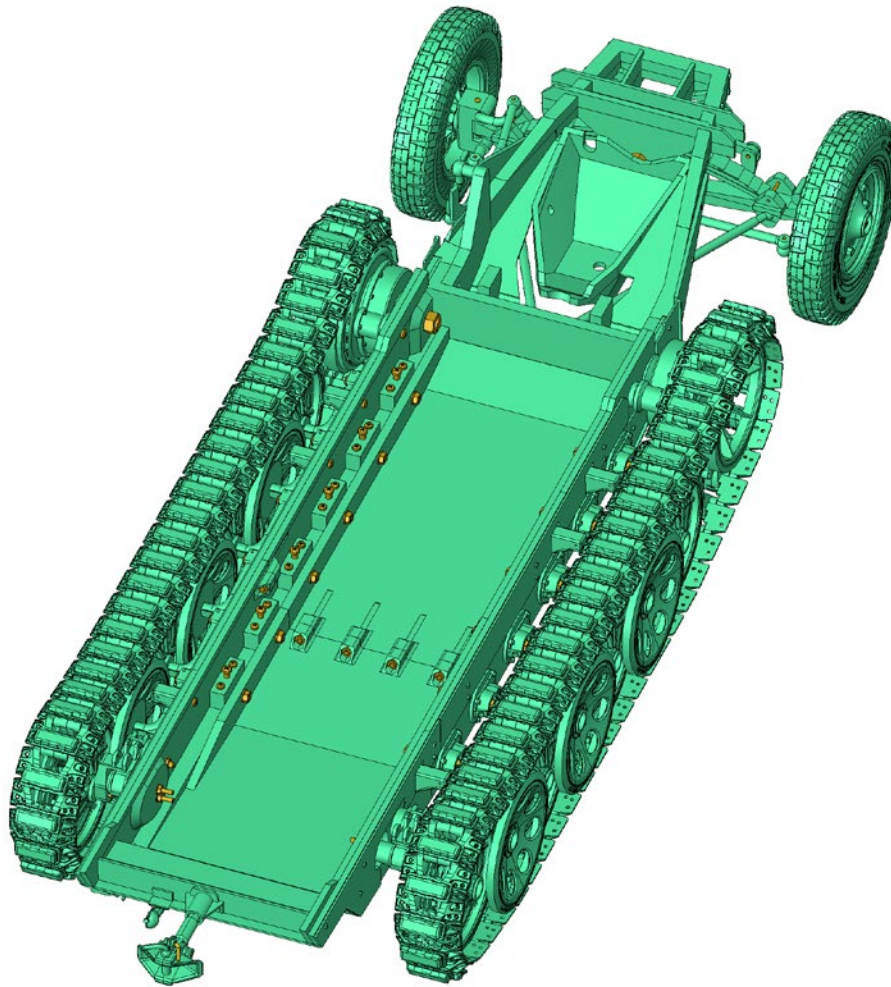
Glue assembly 01-35 into assembly 01-01.
Warning - this step can easily go wrong. Use a slow-drying glue !!!



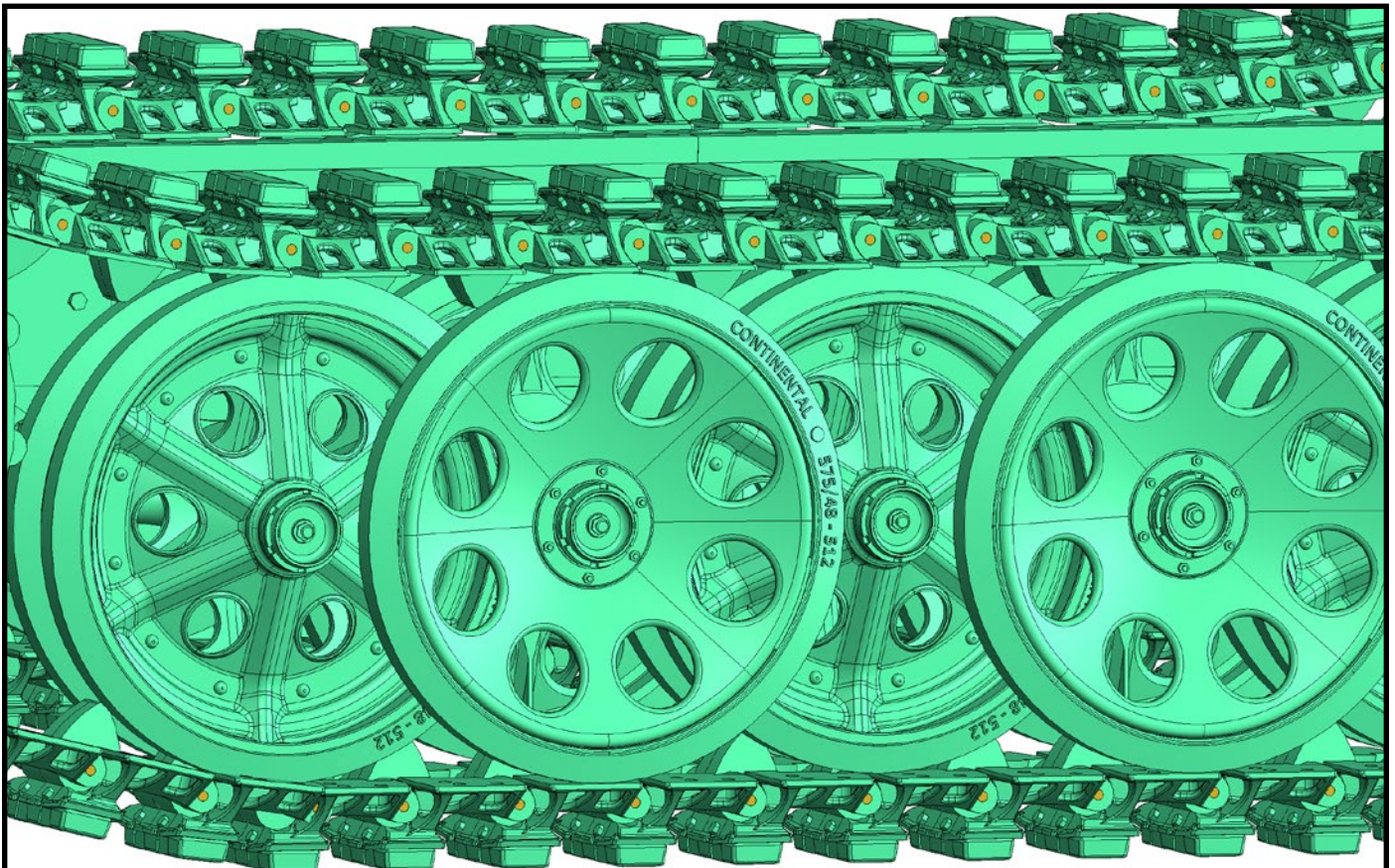
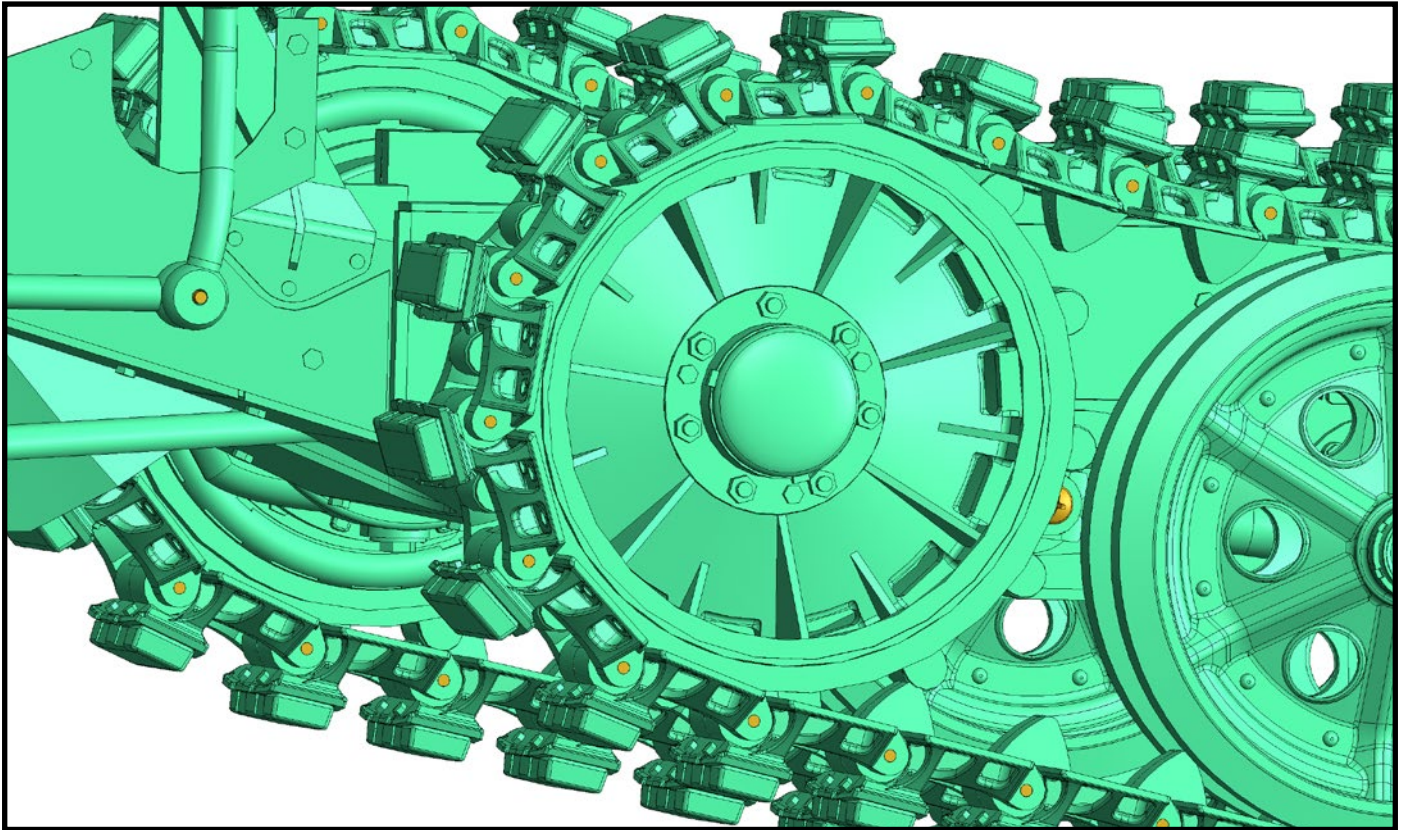
Paint all parts before or after this step.
Glue parts 01-36B to parts 01-36A.
Connect parts 01-36A using track pins. 55 pieces for left side and 56 for right side.



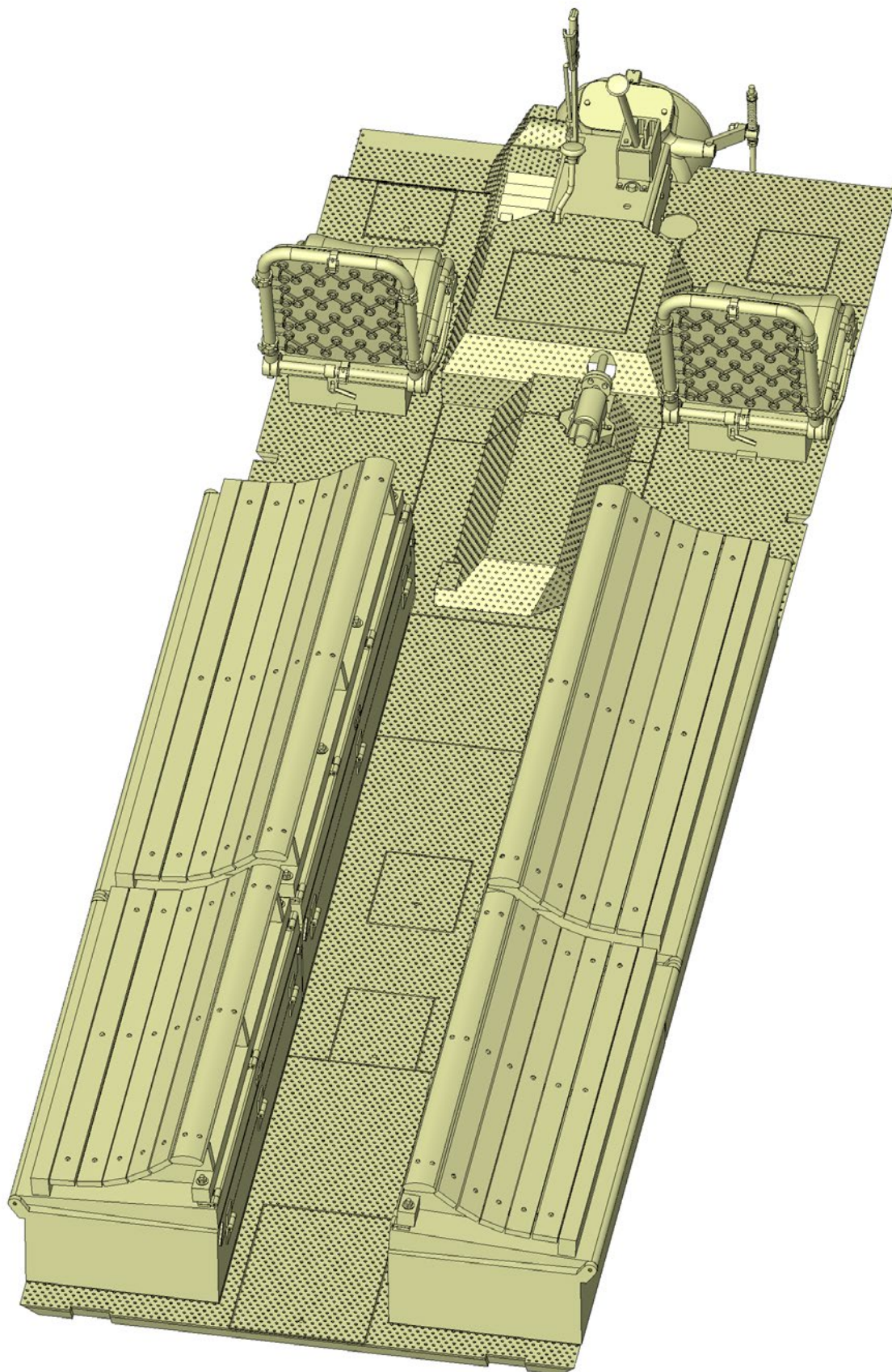
Adjust the suspension so that the ground clearance is the same as in the left picture.
Then install the tracks and adjust the track tension.

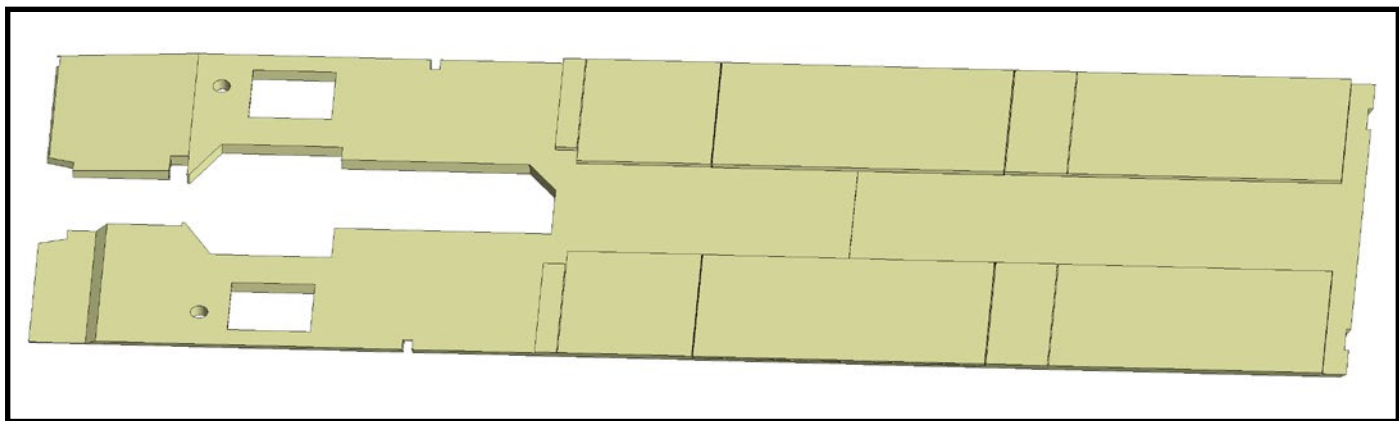
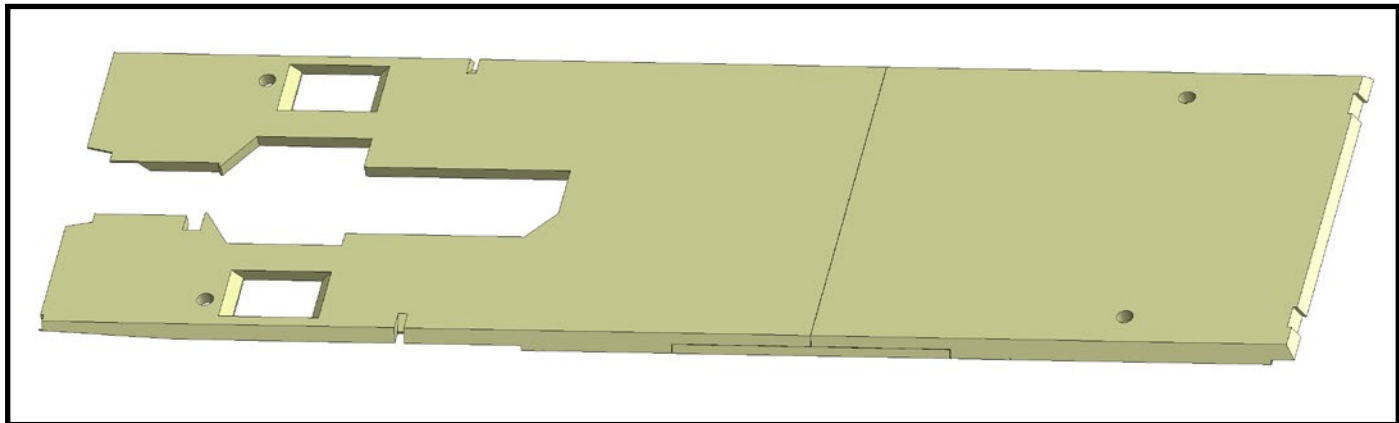
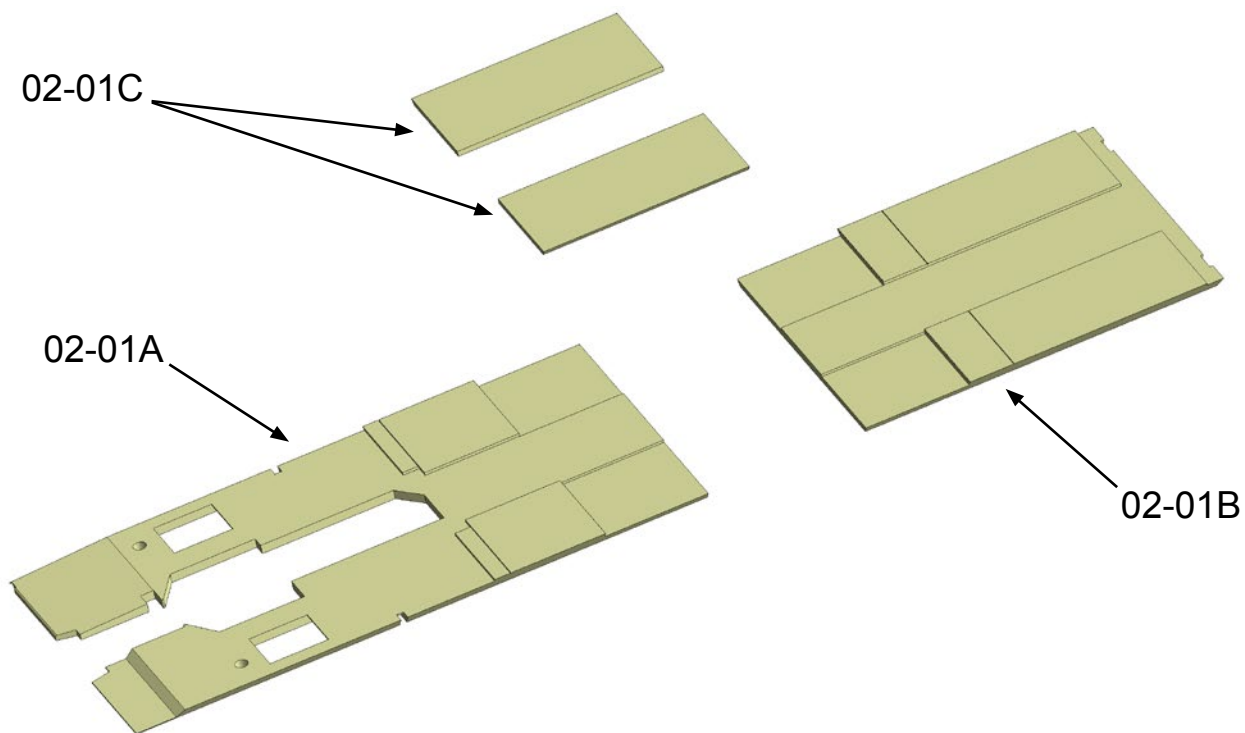


Auxiliary views for installation of the tracks.

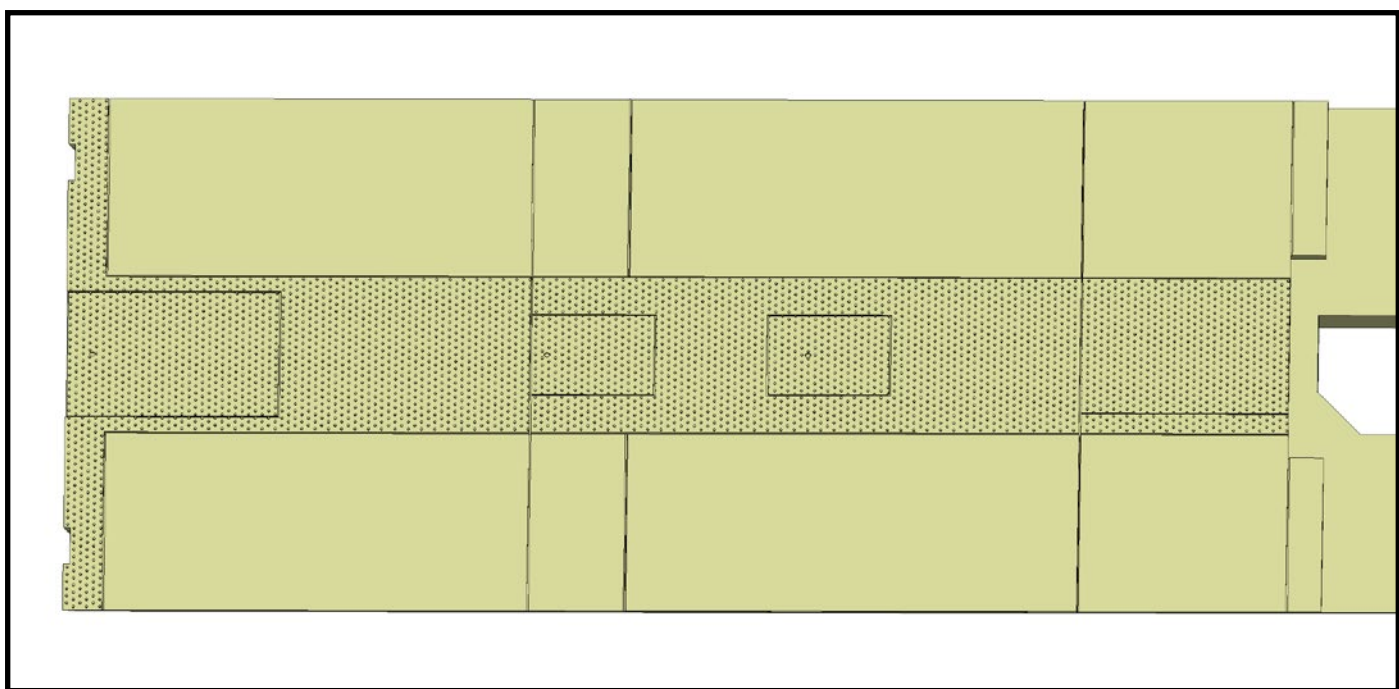
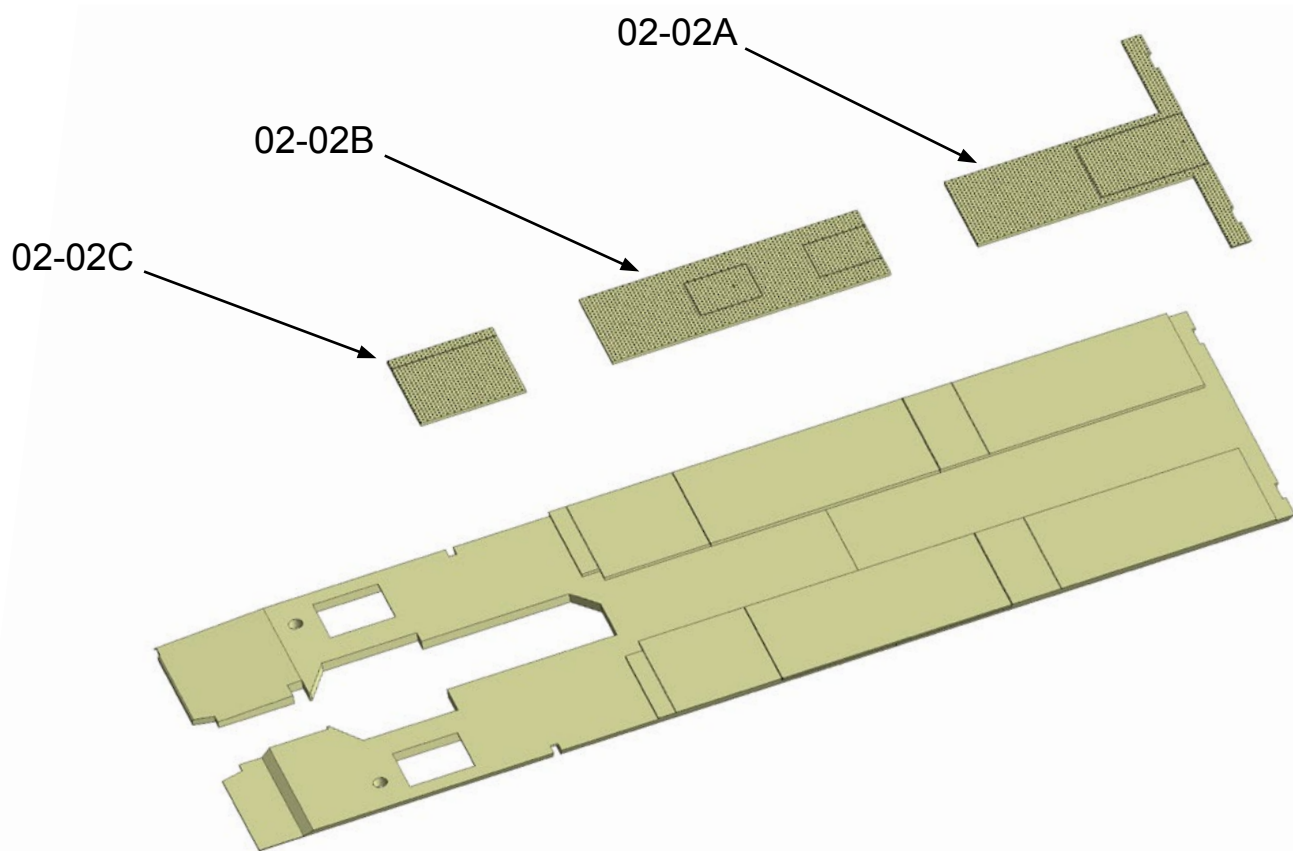


Auxiliary views for installation of parts 01-39 and 01-40 .

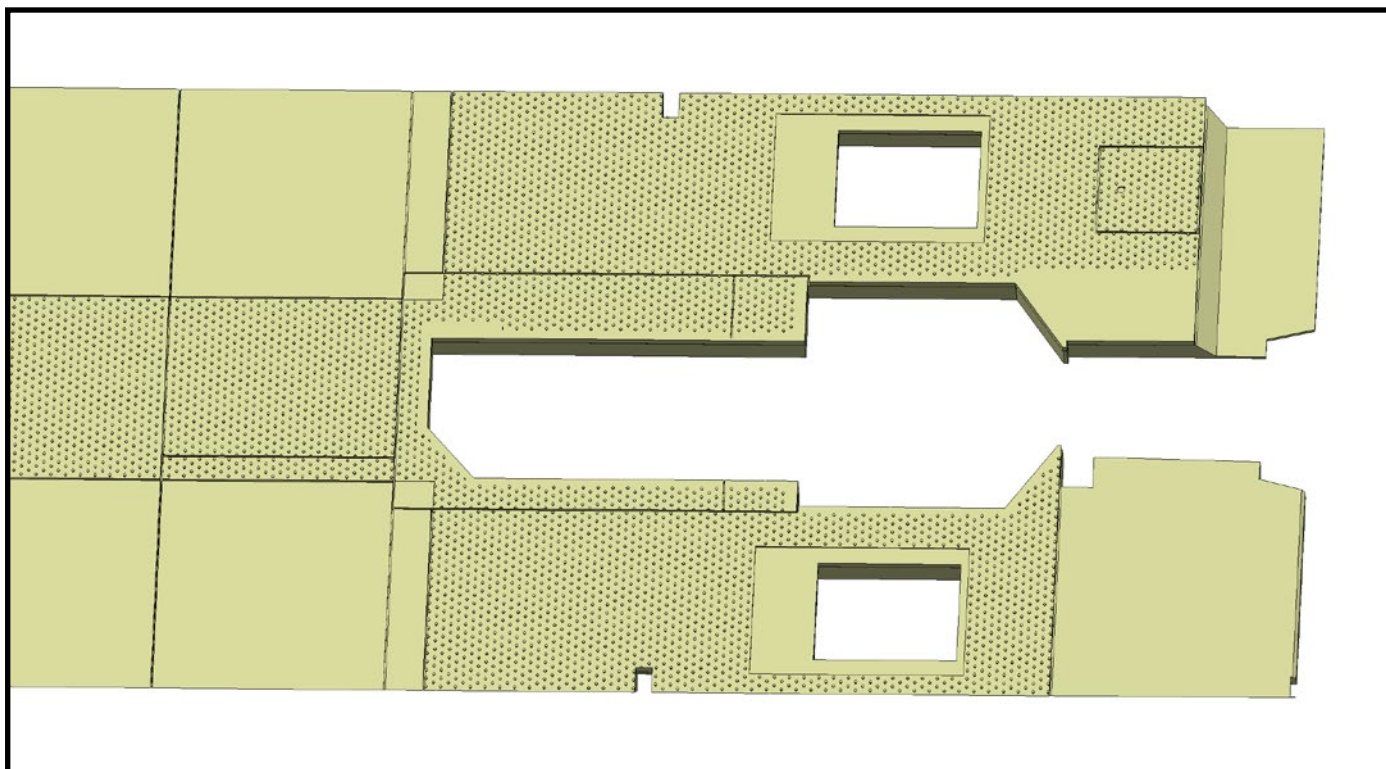
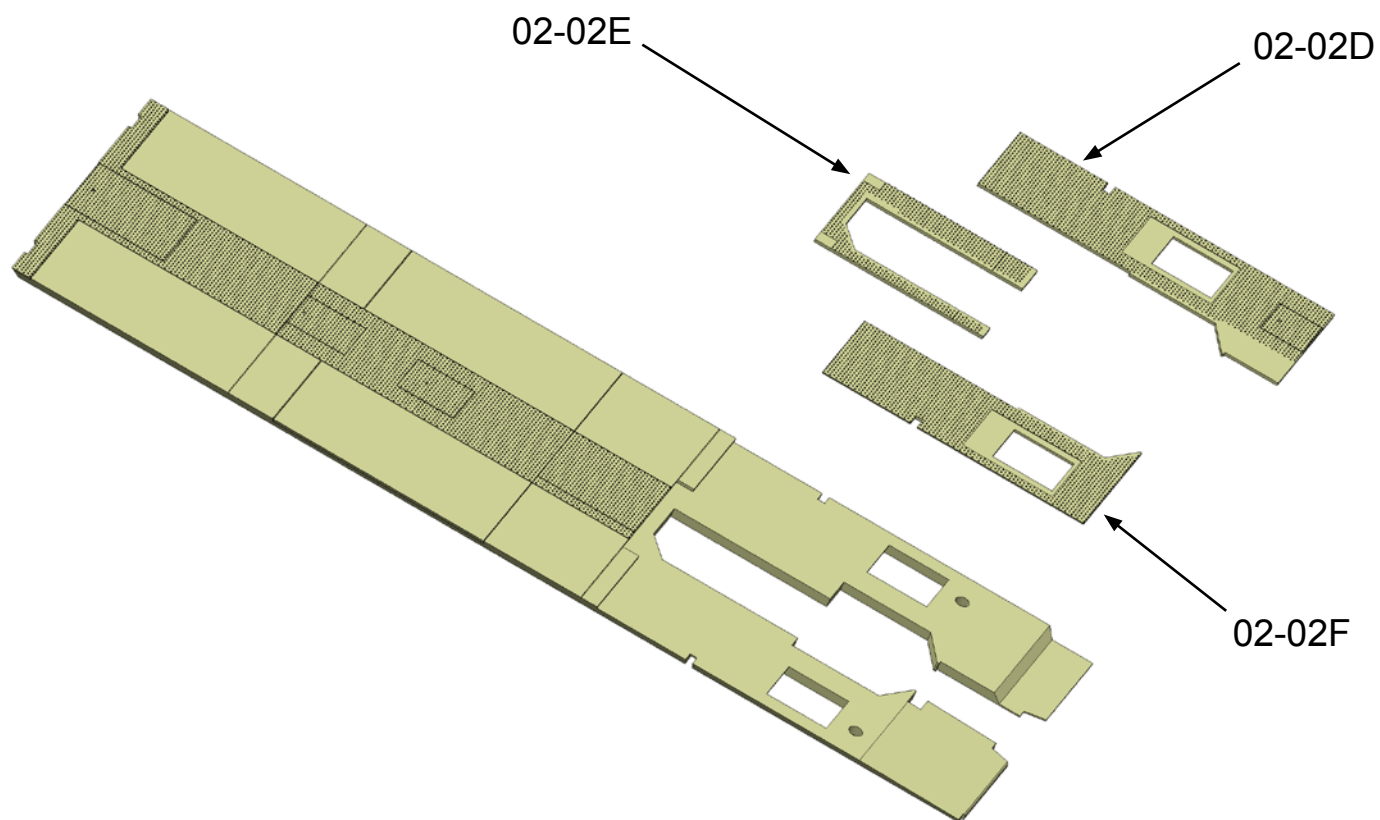




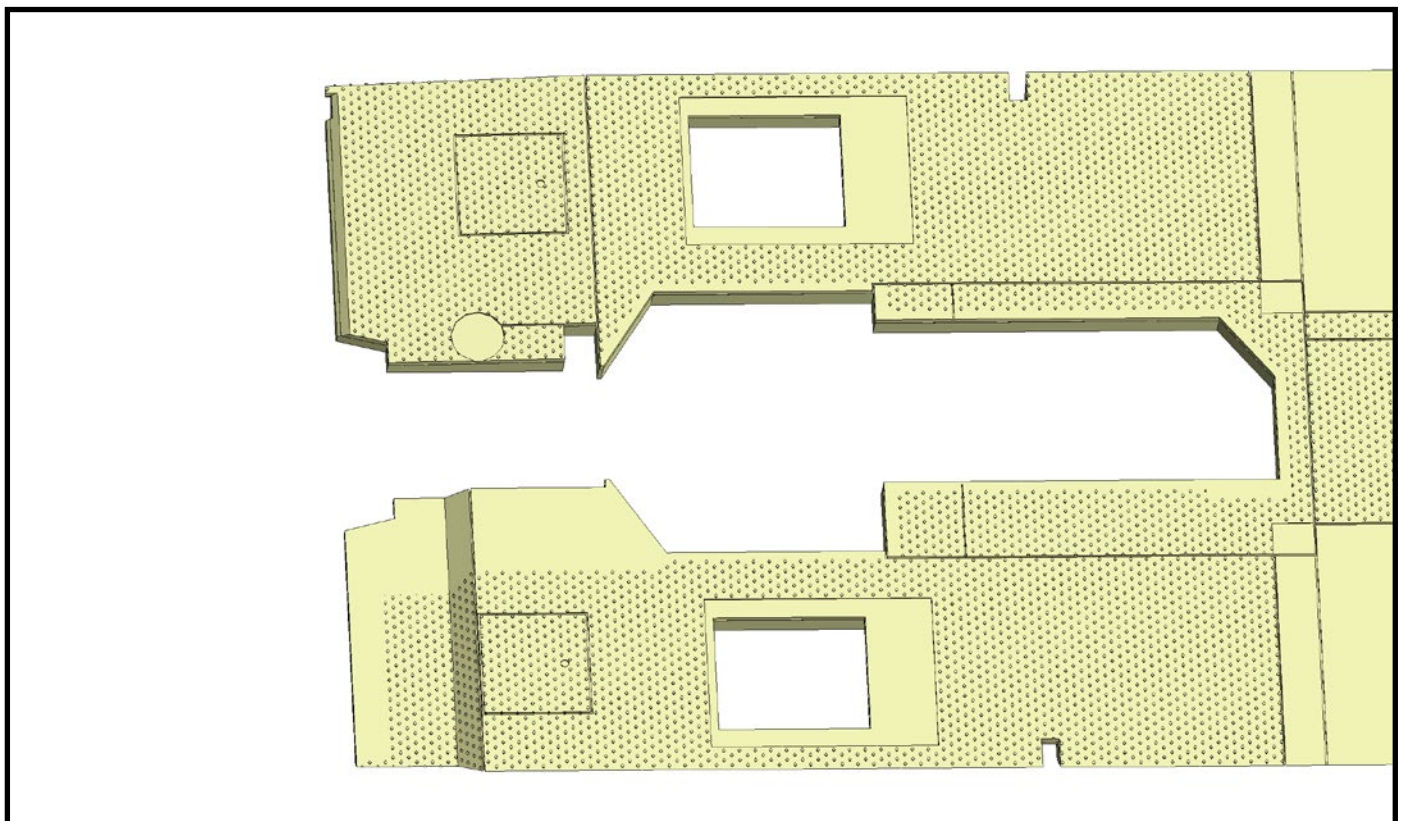
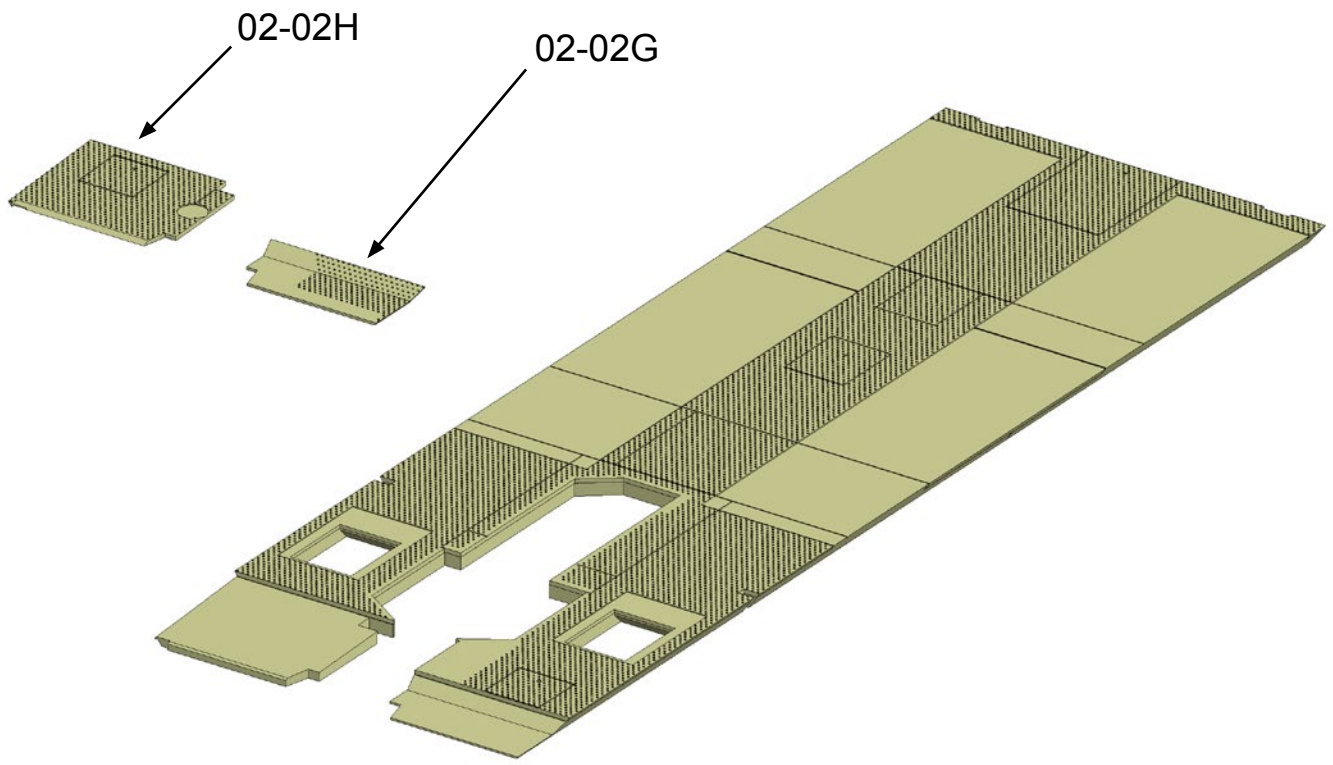
Glue parts 02-01A, 02-01B and 02-01C (2x) together.
Align them carefully.



Glue parts 02-02A, 02-02B and 02-02C to part 02-01.

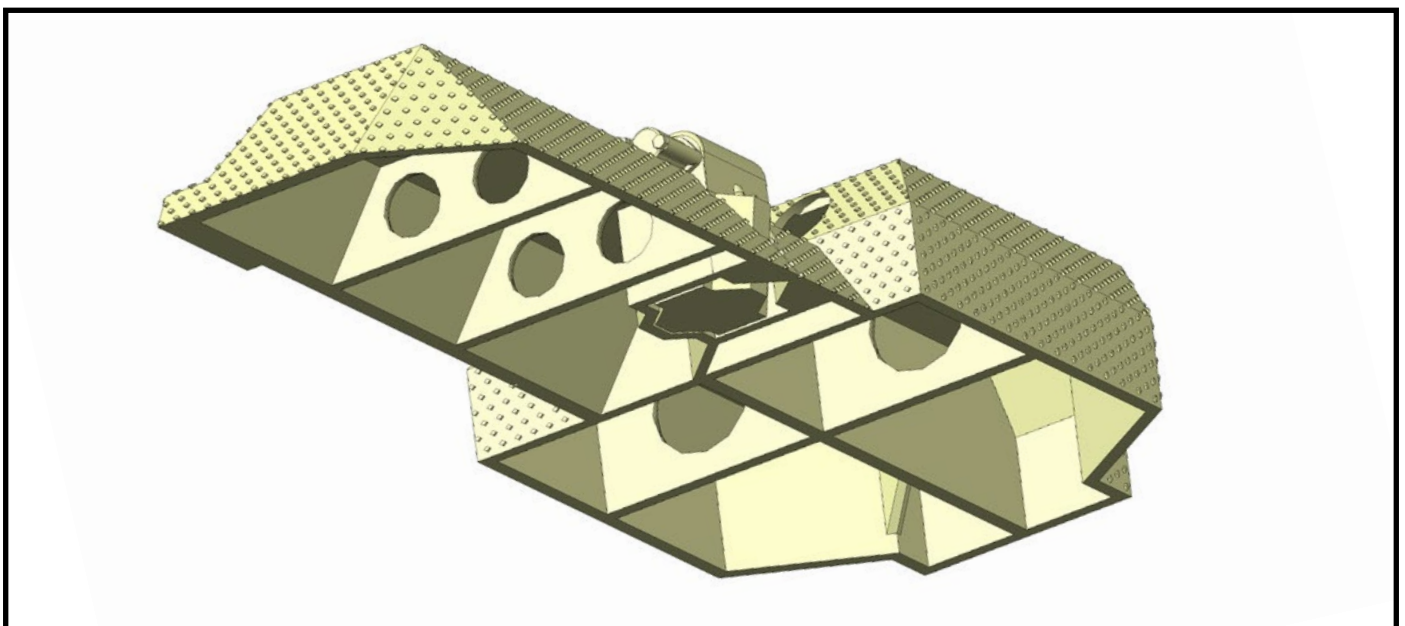
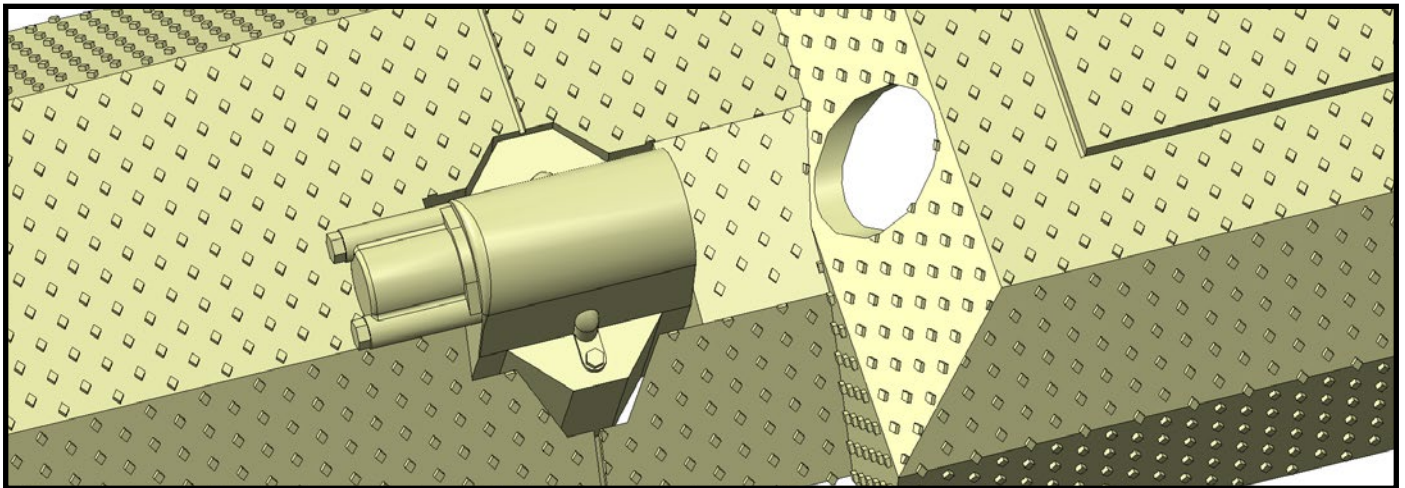
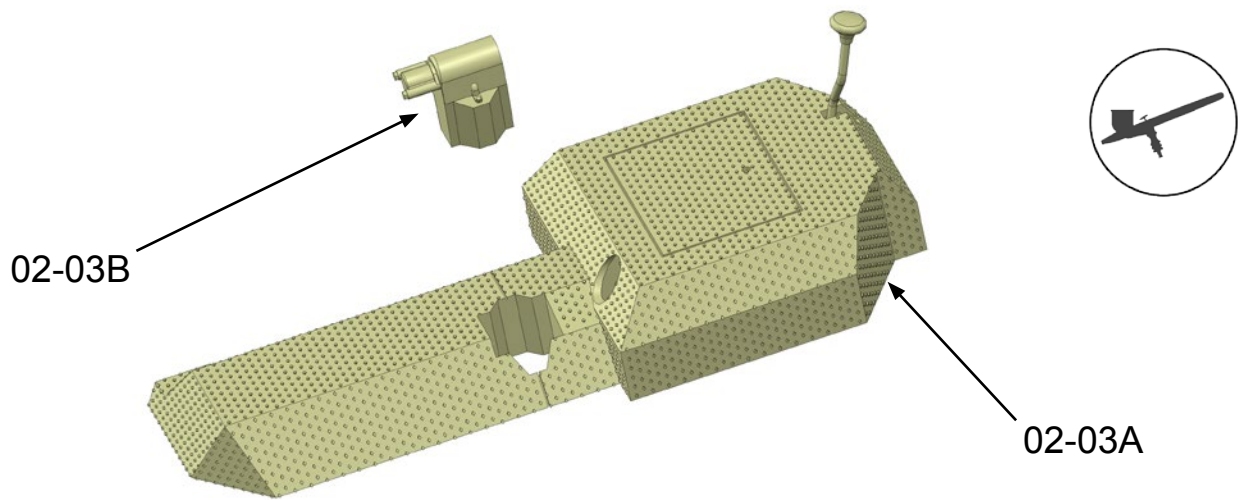


Glue parts 02-02D, 02-02E and 02-02F to part 02-01.

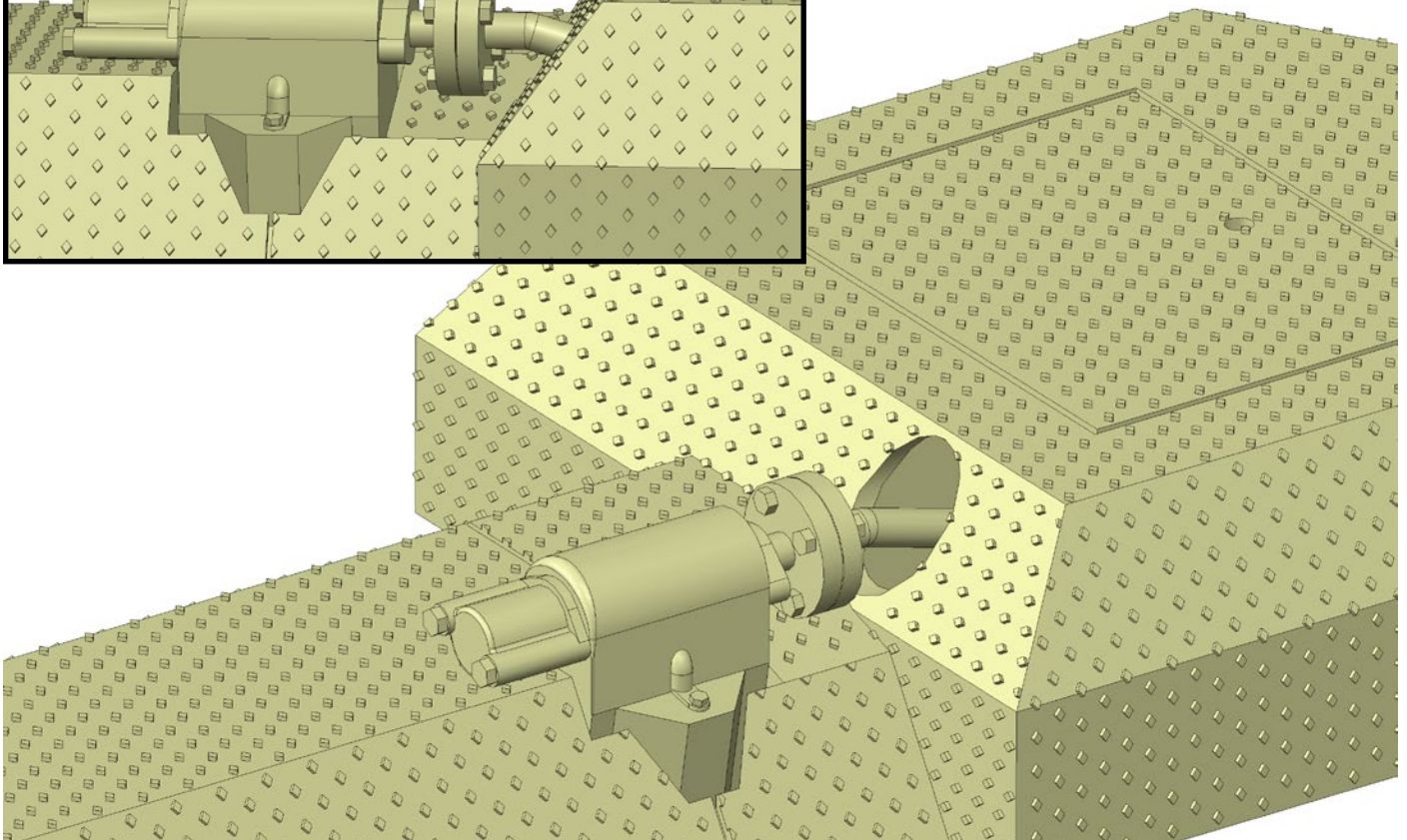
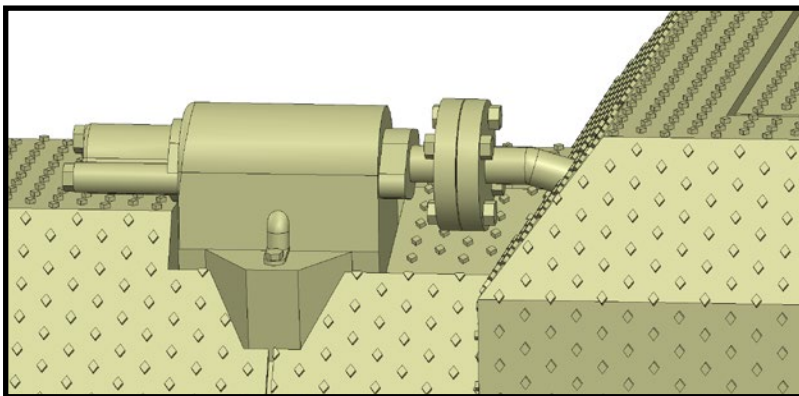
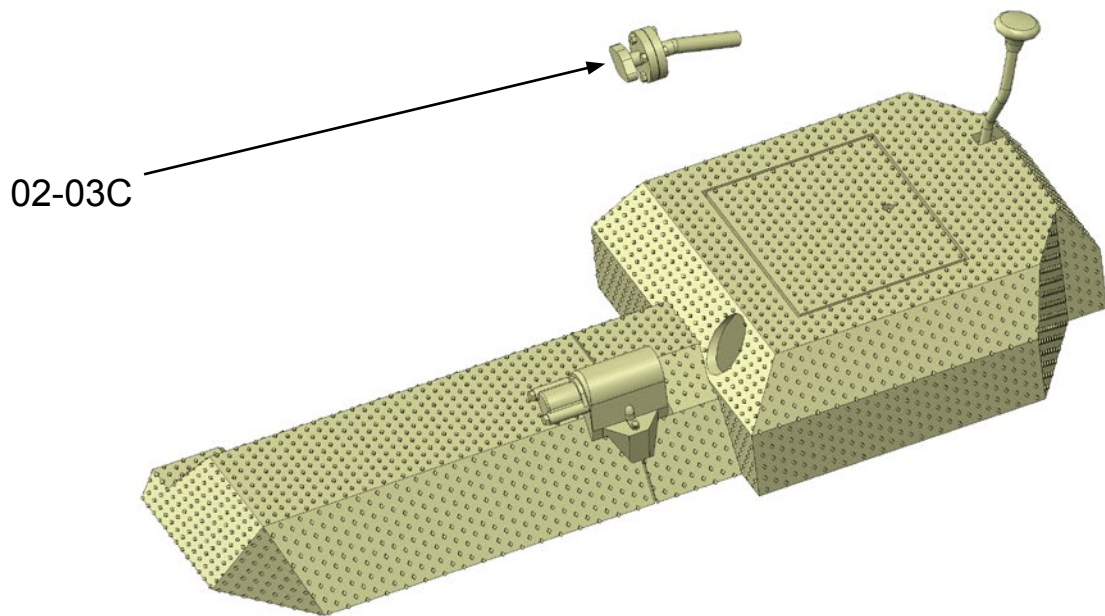


Glue parts 02-02G and 02-02H to part 02-01.

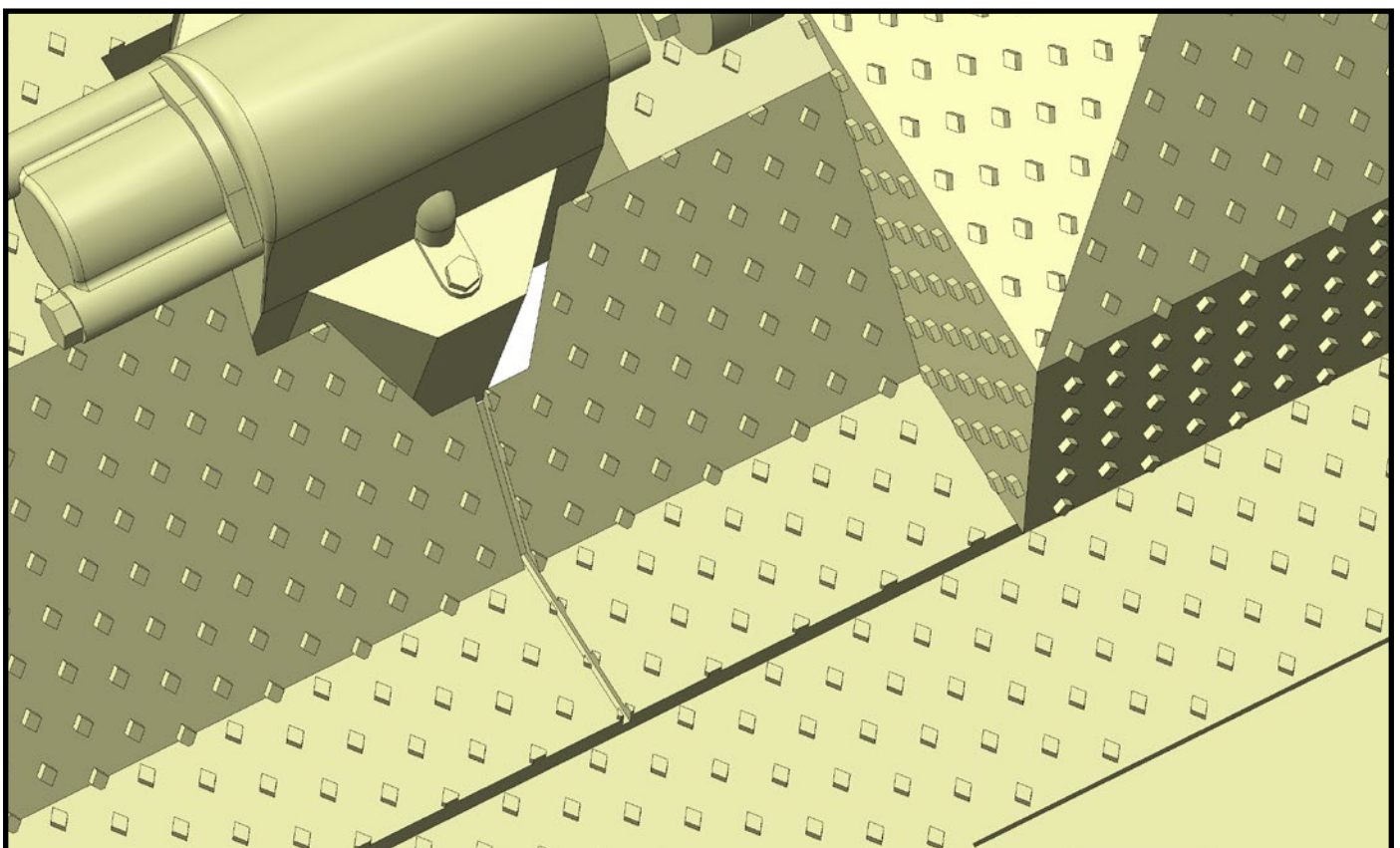
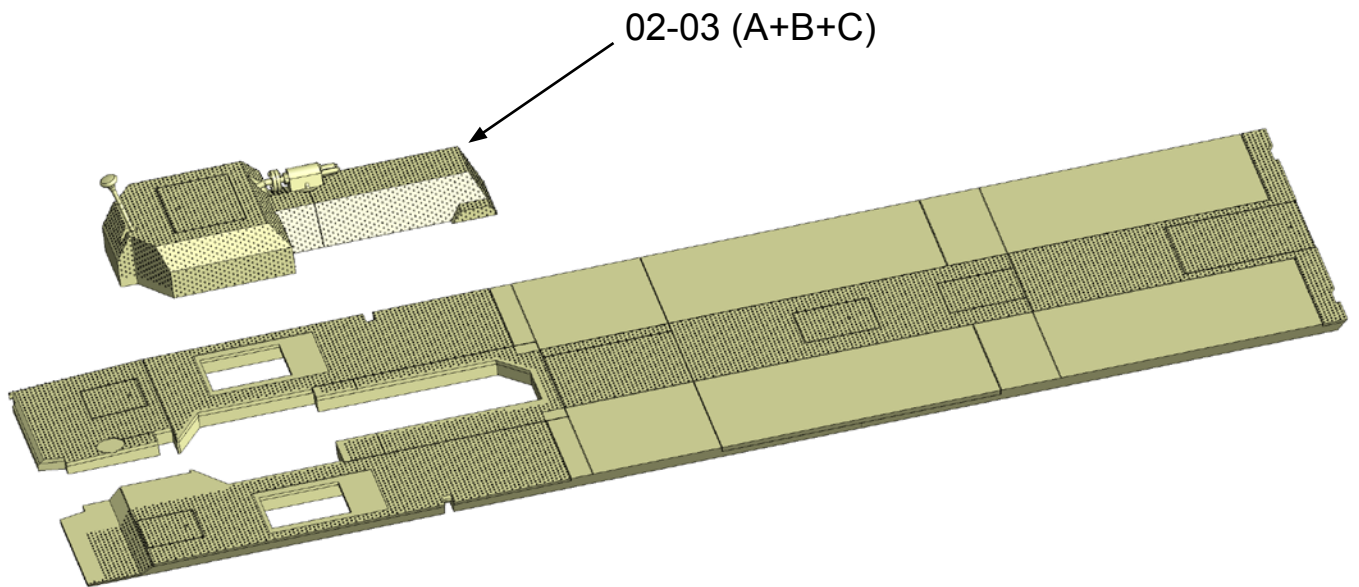
Assembly 02 - Floor



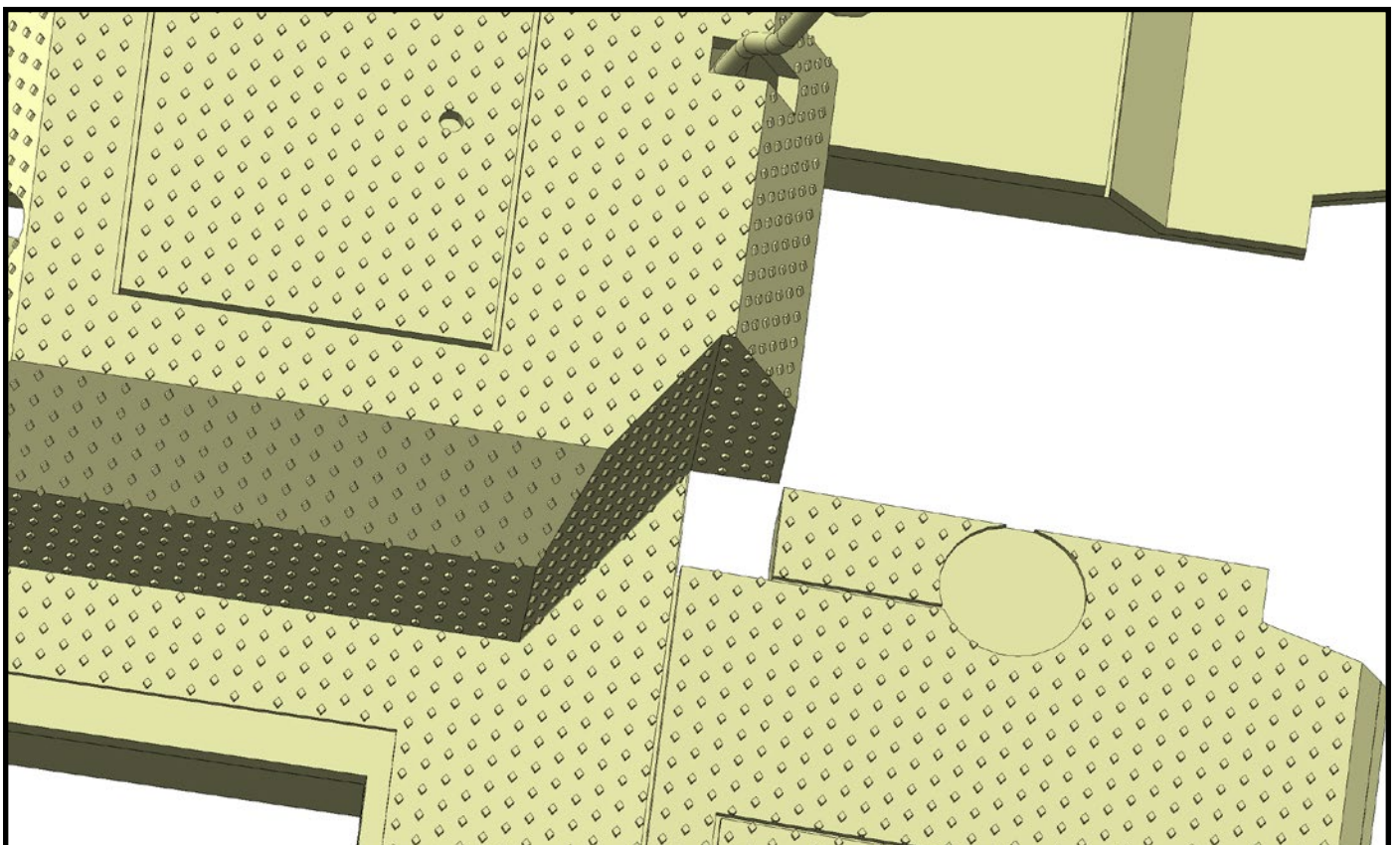
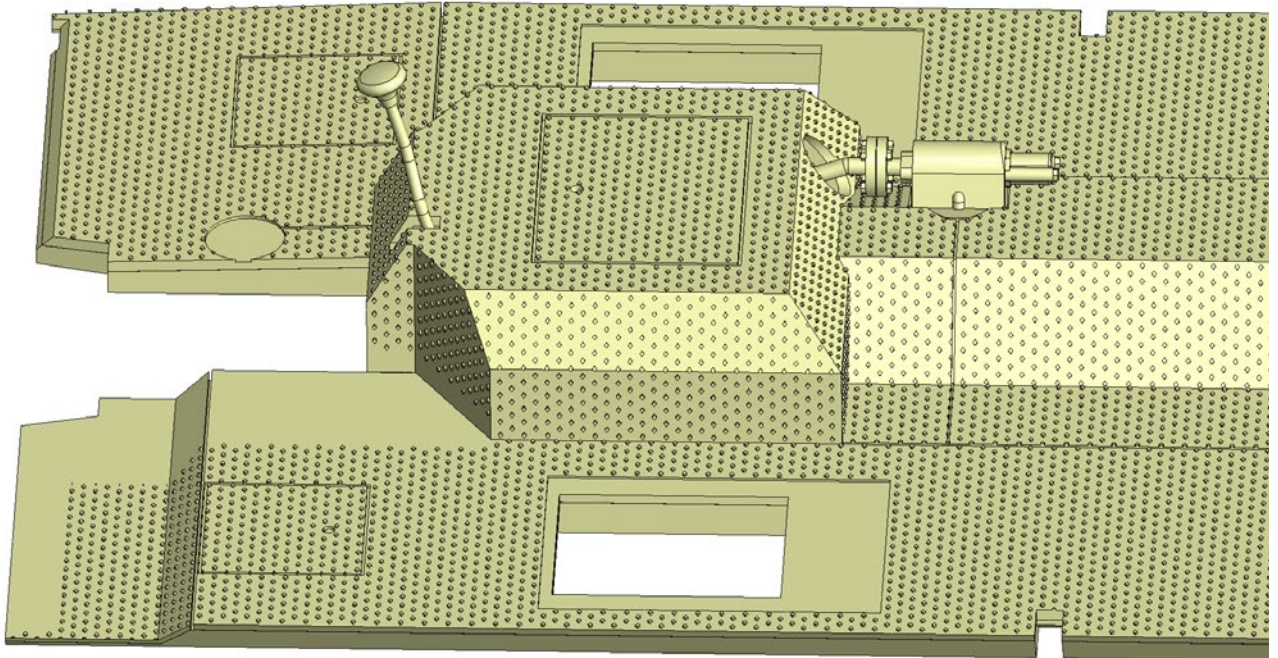
Glue parts 02-03A and 02-03B together. Align the bottom surfaces of the parts. Apply adhesive to the bottom of the parts (we recommend gel superglue).



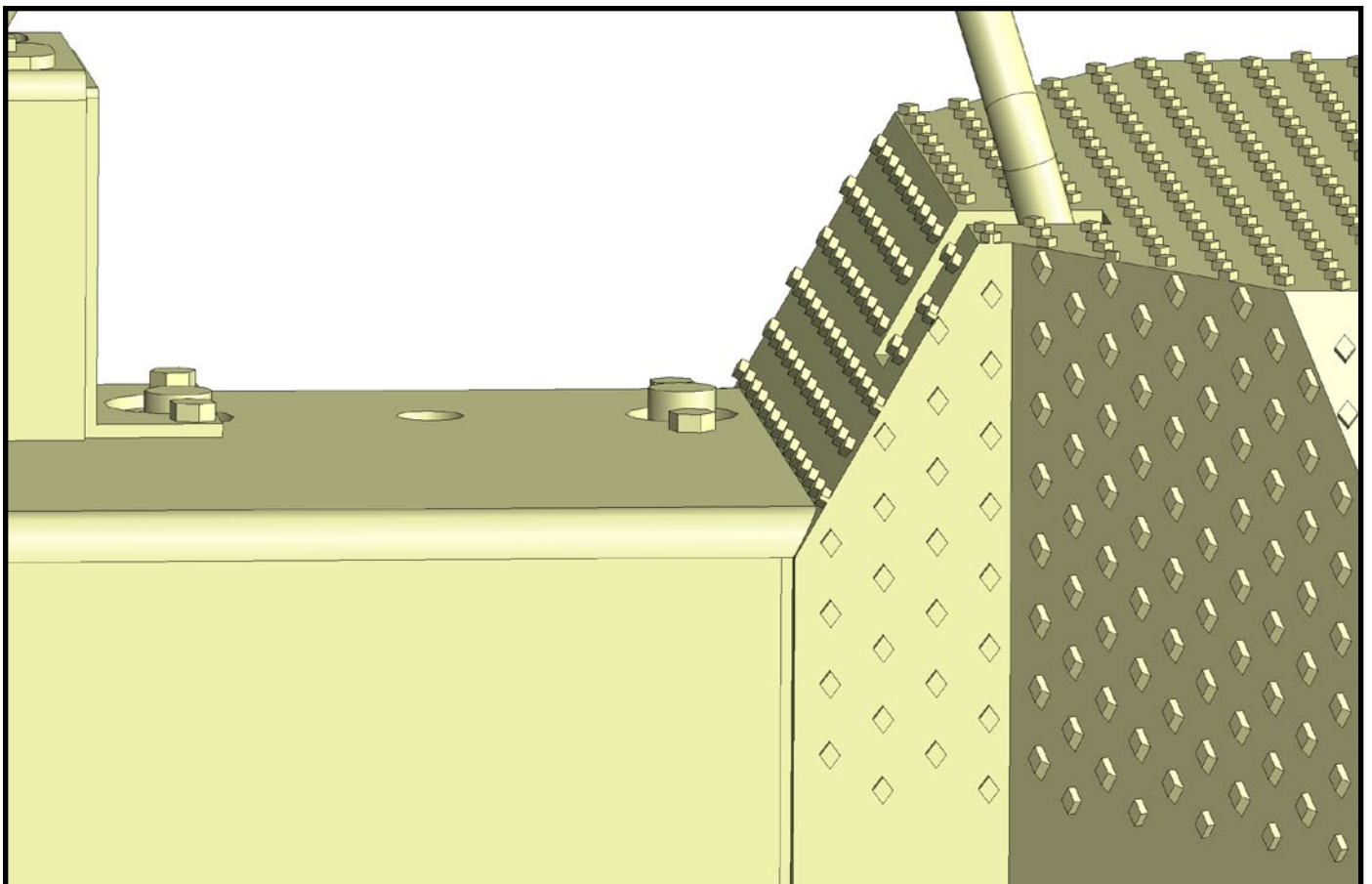
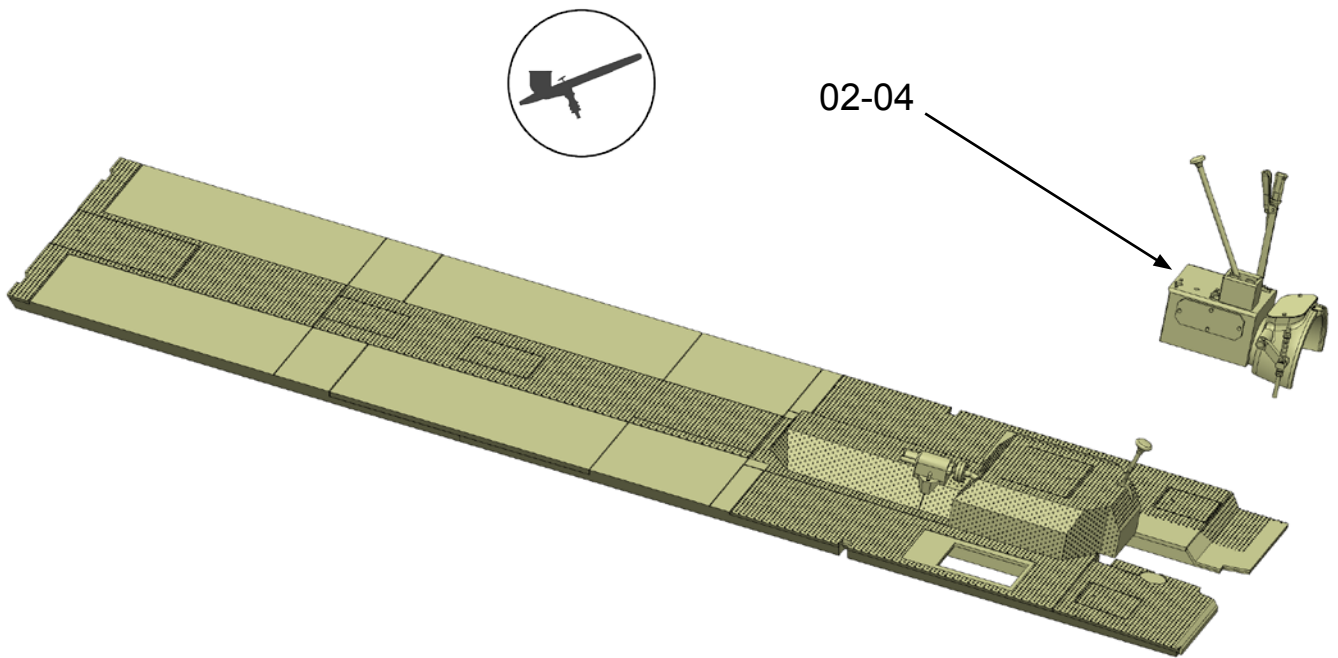
Glue part 02-03C to part 02-03B. Paint the details before gluing.



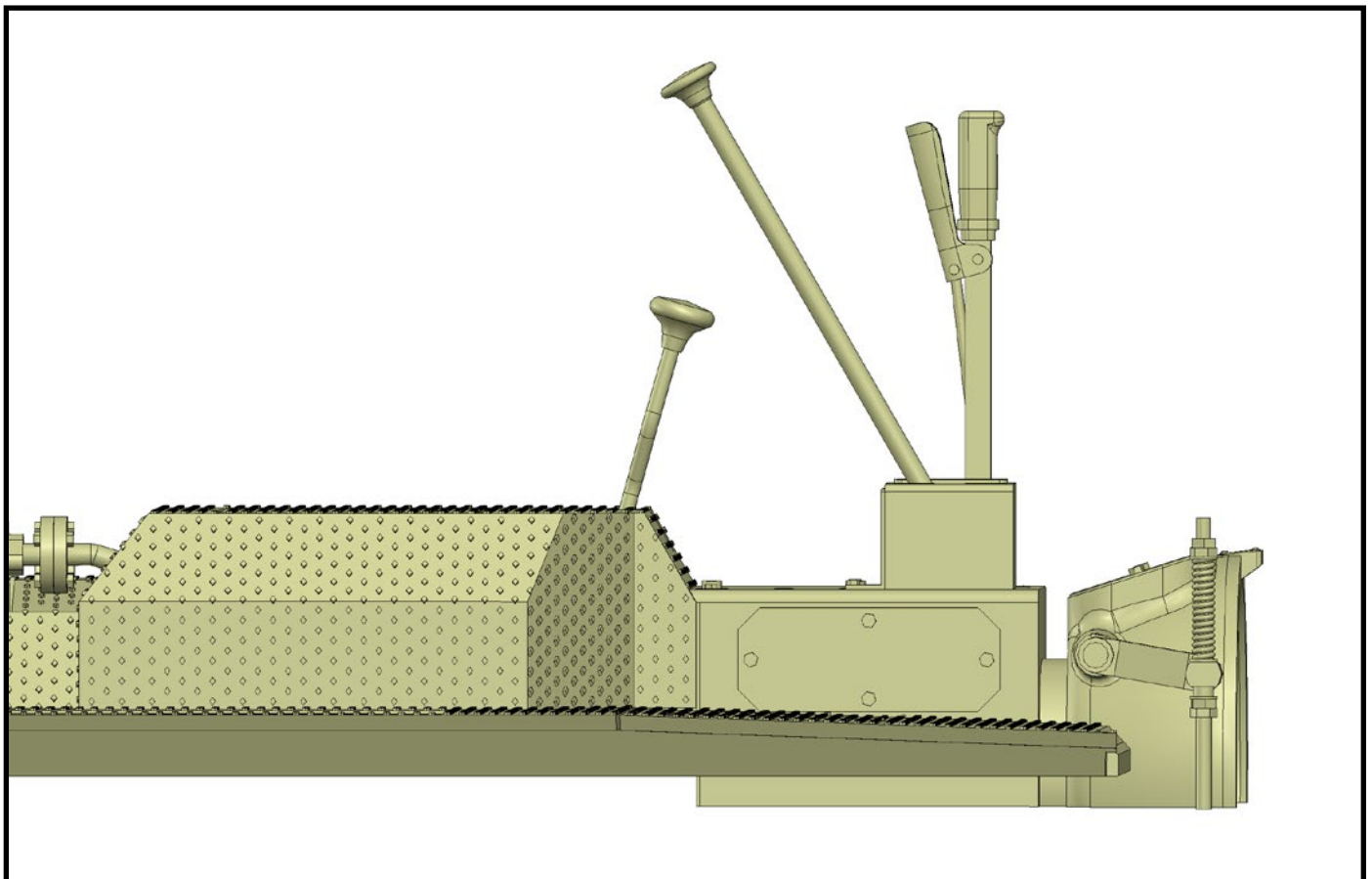
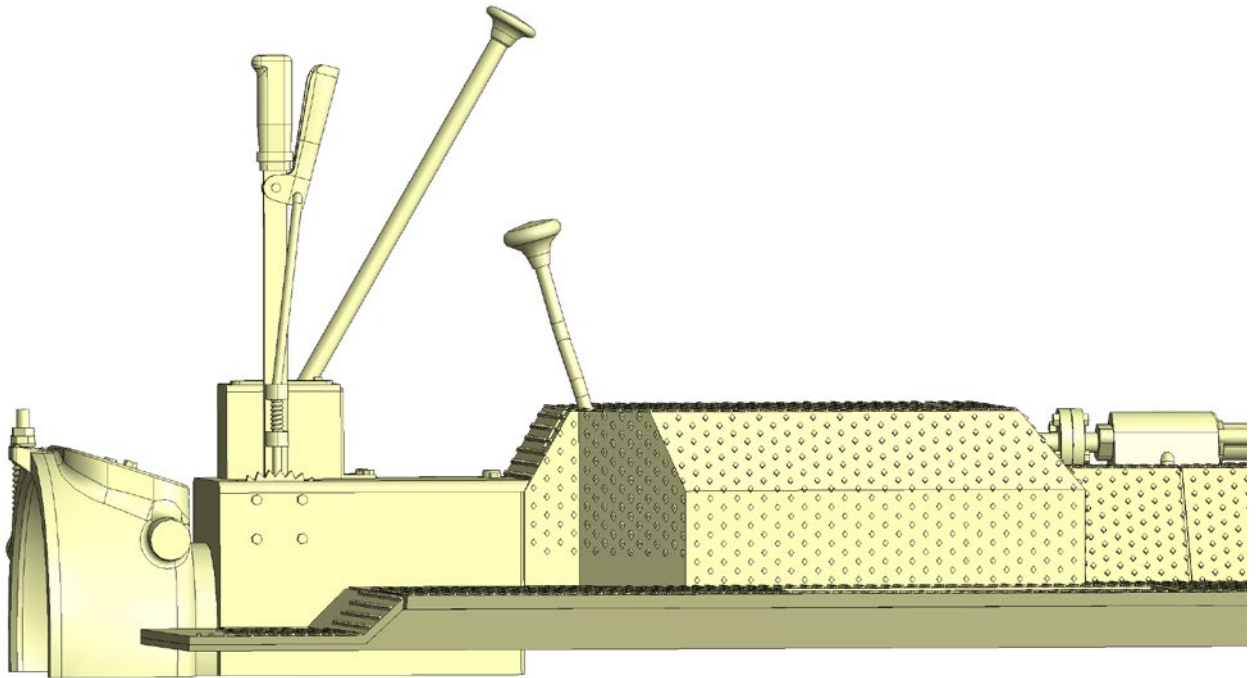
Glue parts 02-03 to the floor.
The bottom image shows a detail of the alignment of the parts.
Note the connection of the gaps.



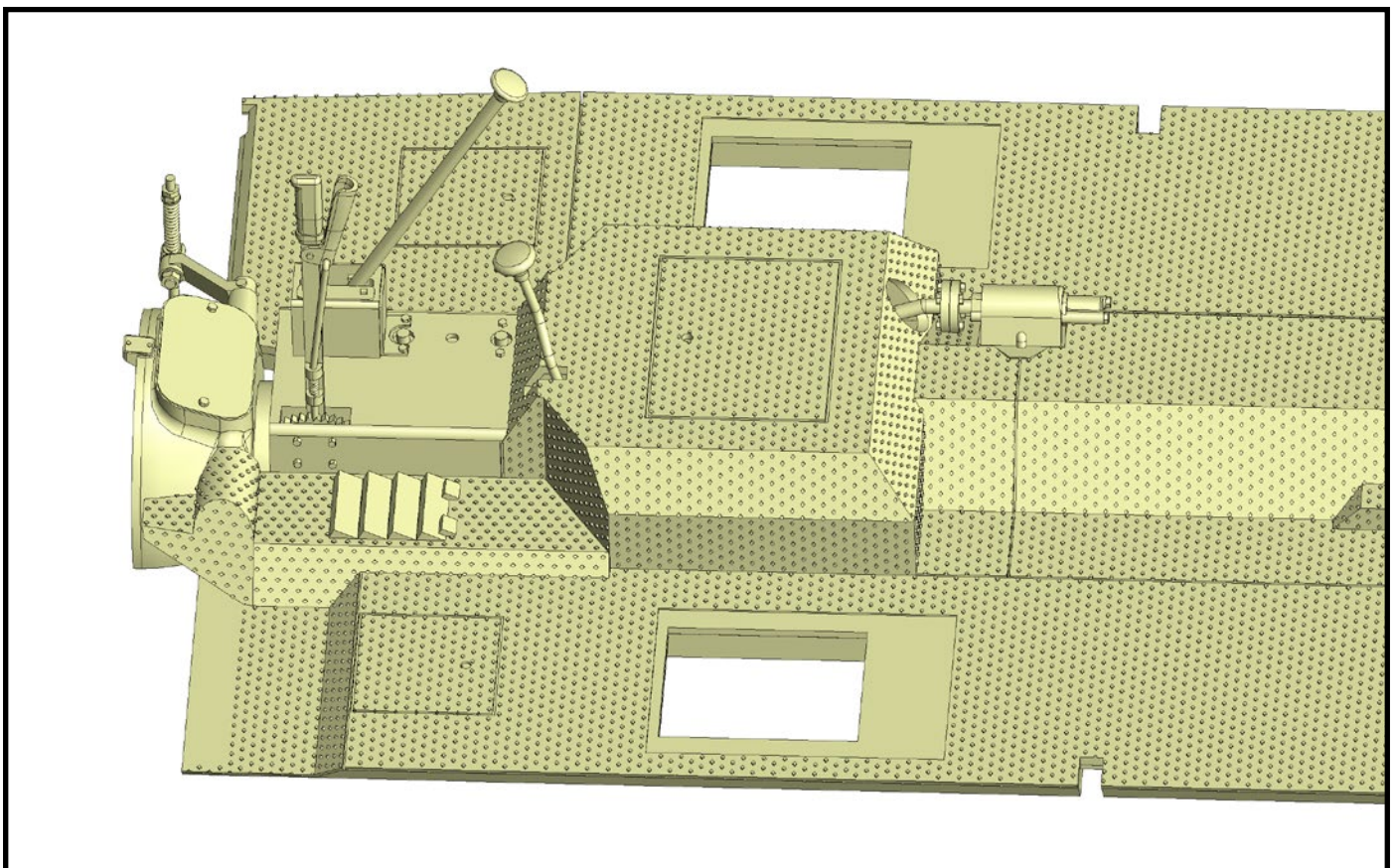
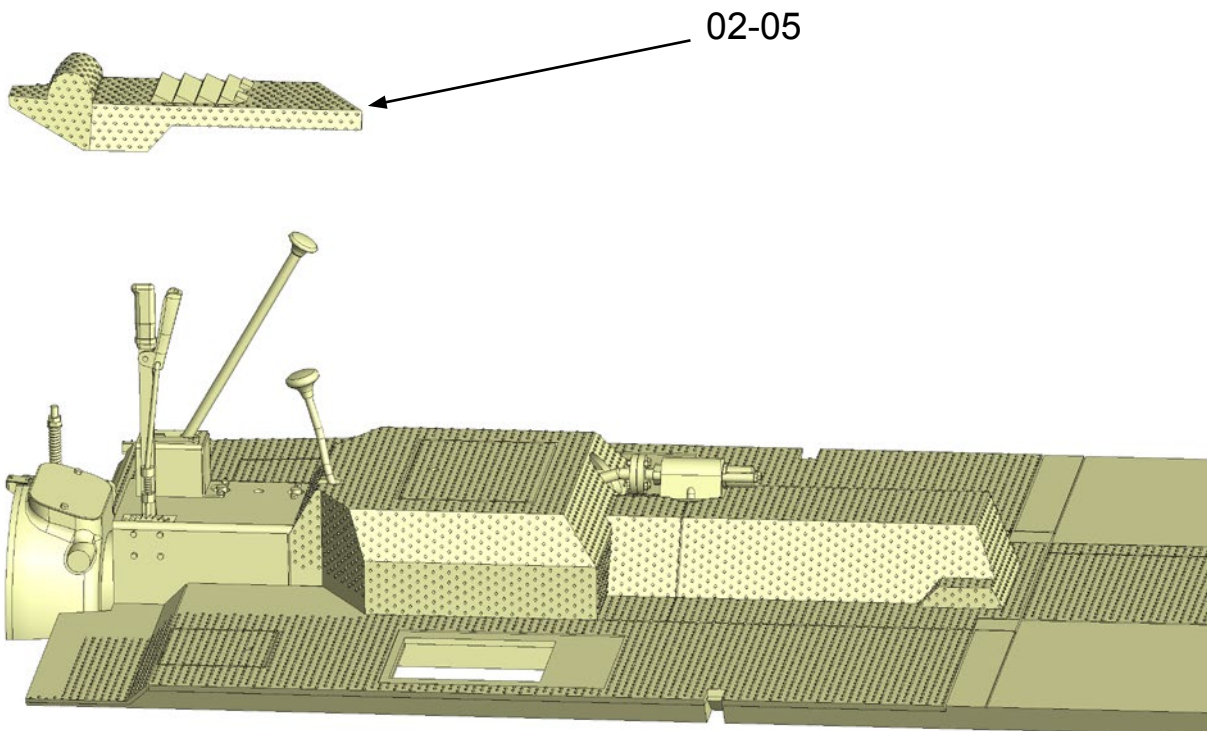
Auxiliary views for installation of parts 02-03 (A+B+C).



Glue part 02-04 to part 02-01. Paint the details before gluing.



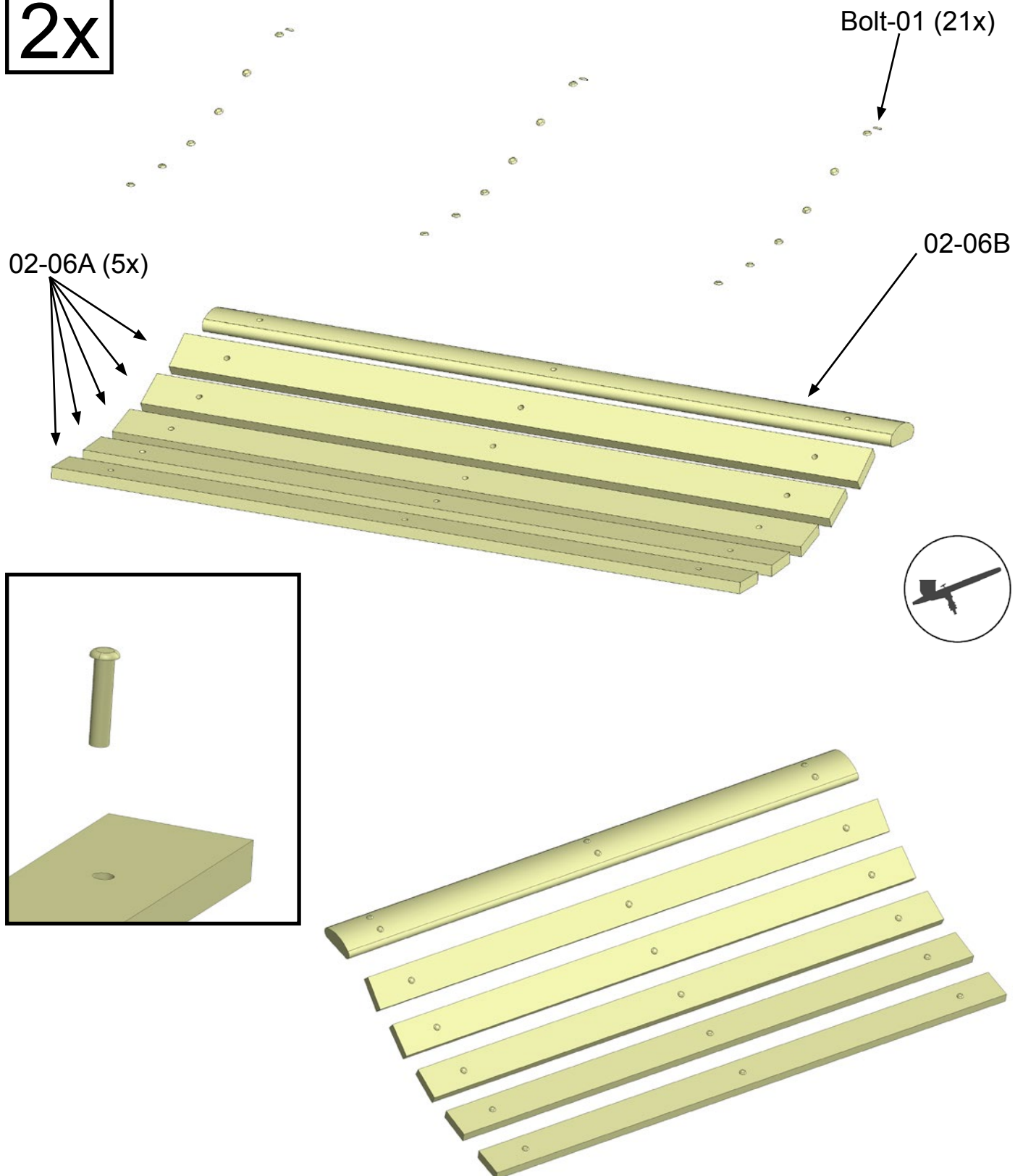
Auxiliary views for installation of part 02-04.



Glue part 02-05 to the floor.

86

Assembly 02 - Floor - Short Seat

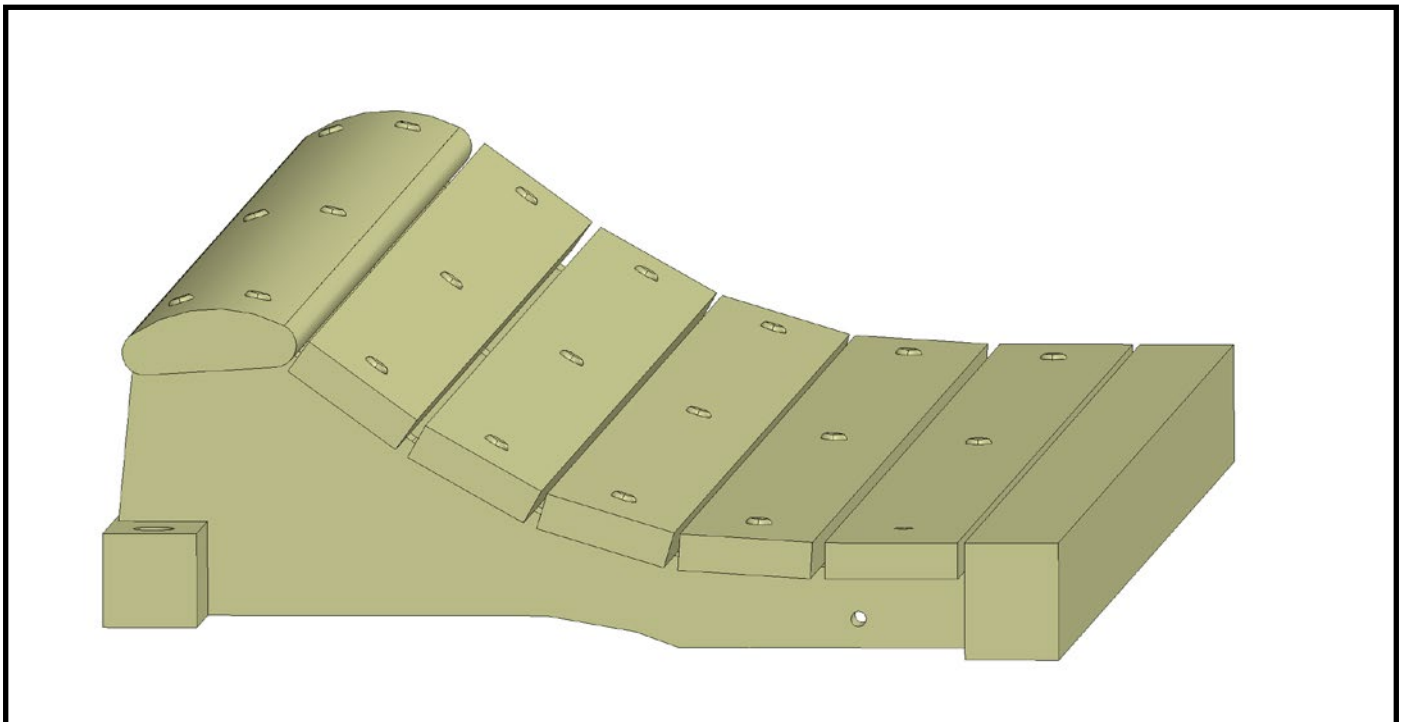
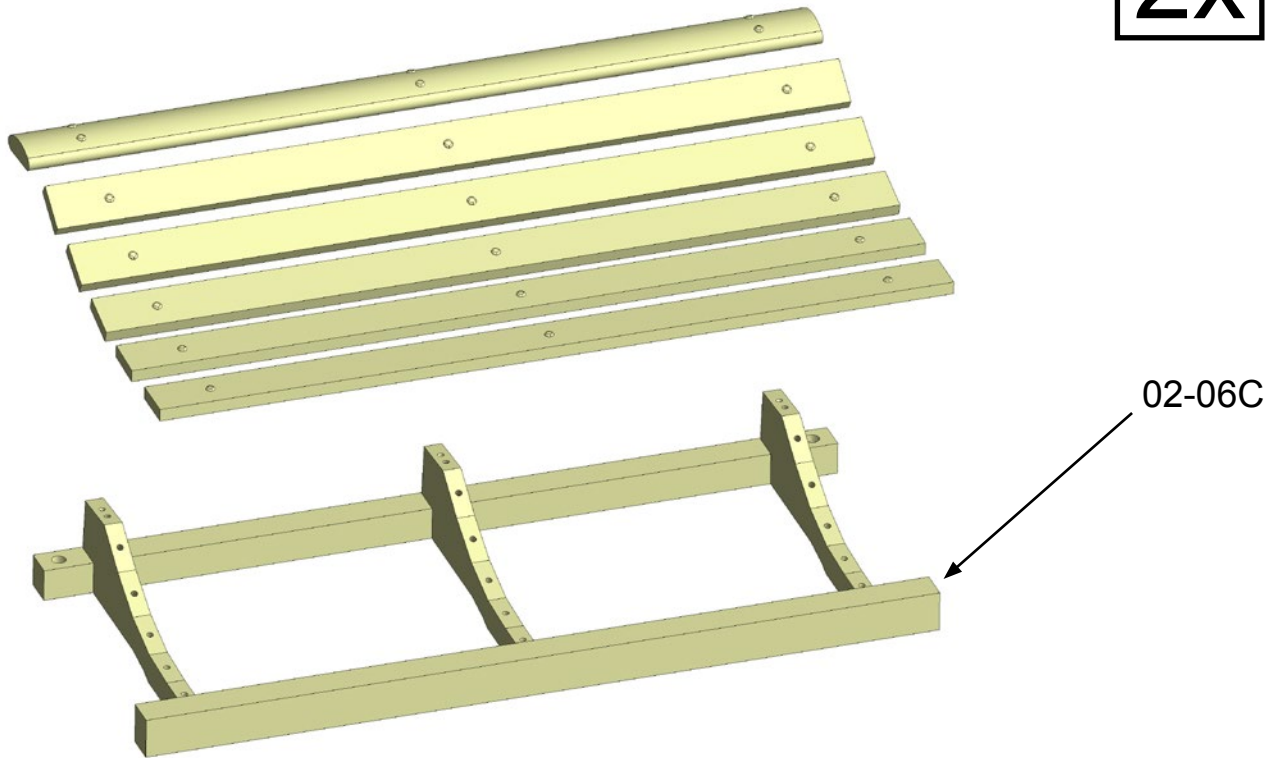
2x

Glue parts bolt-01 into parts 02-06A and 02-06B. **Paint all parts before gluing.**

You can paint the wooden parts with wood varnish or leave them unpainted.

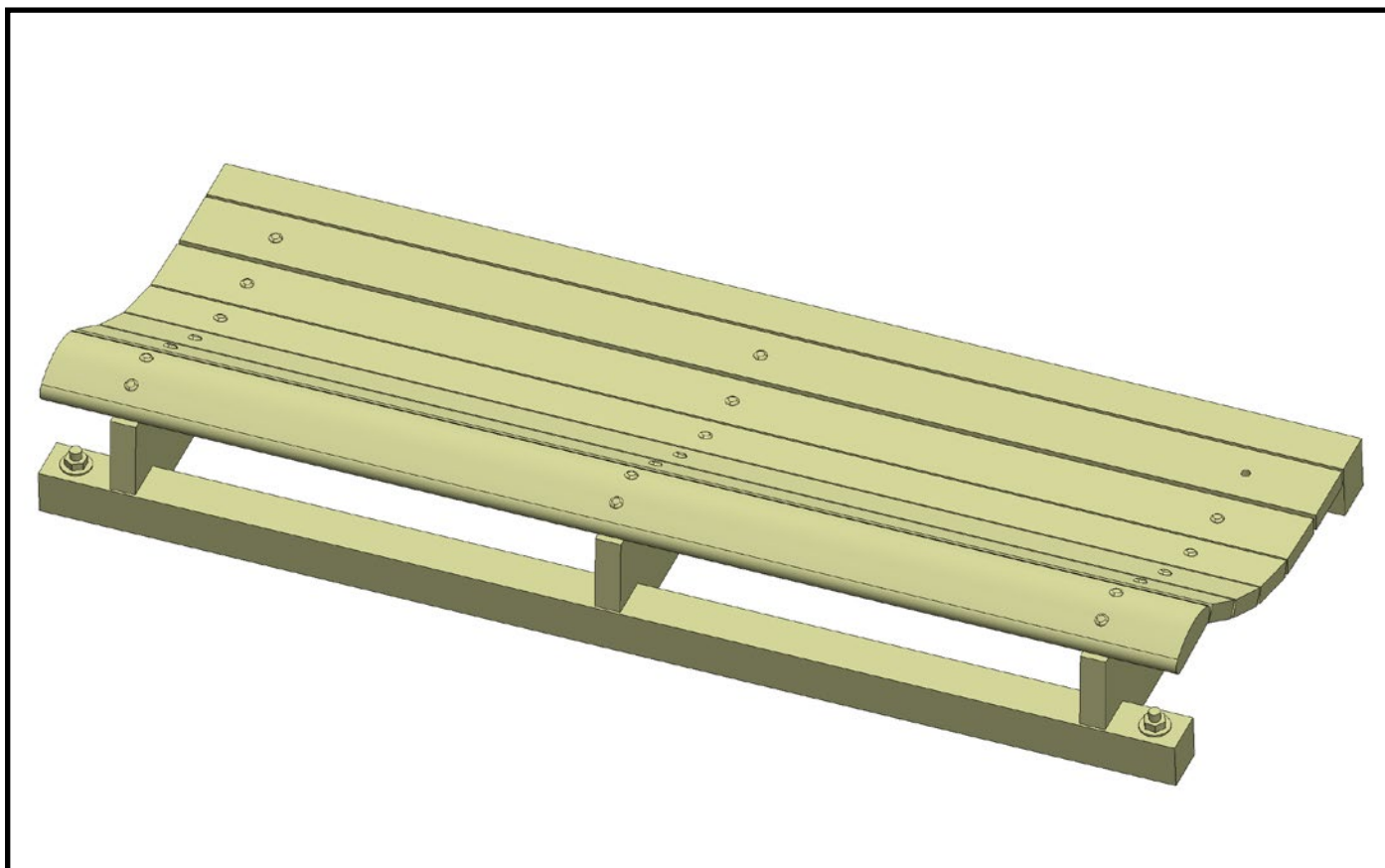
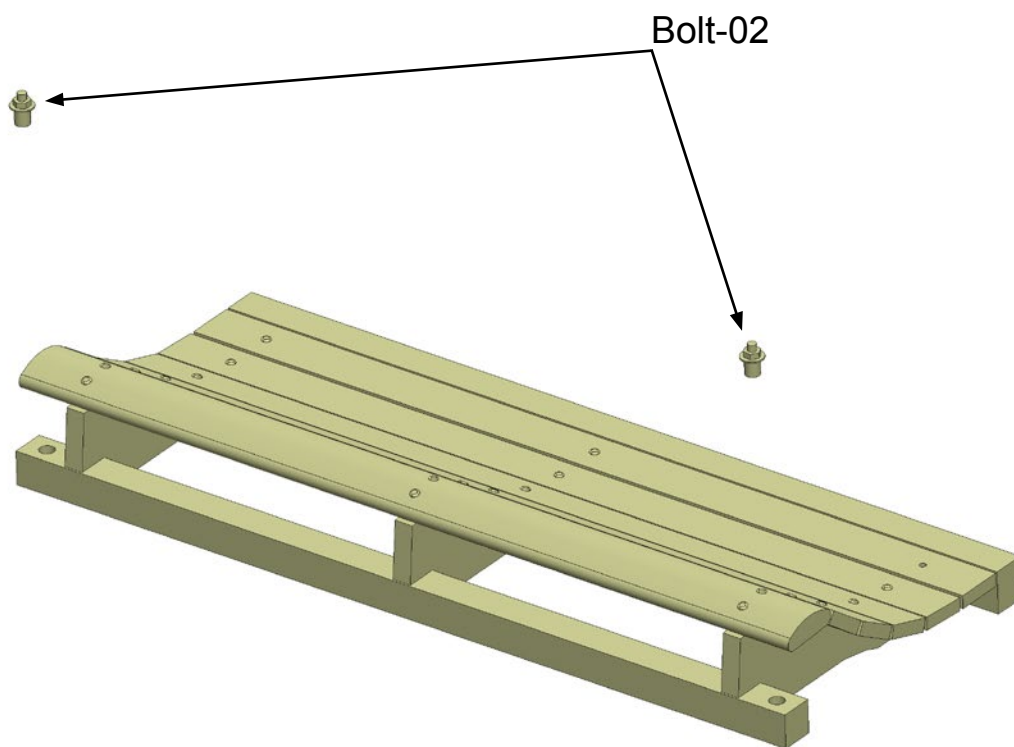
Use bolt-01 as shown in the detail on the left. Do not separate the thin part.

2x



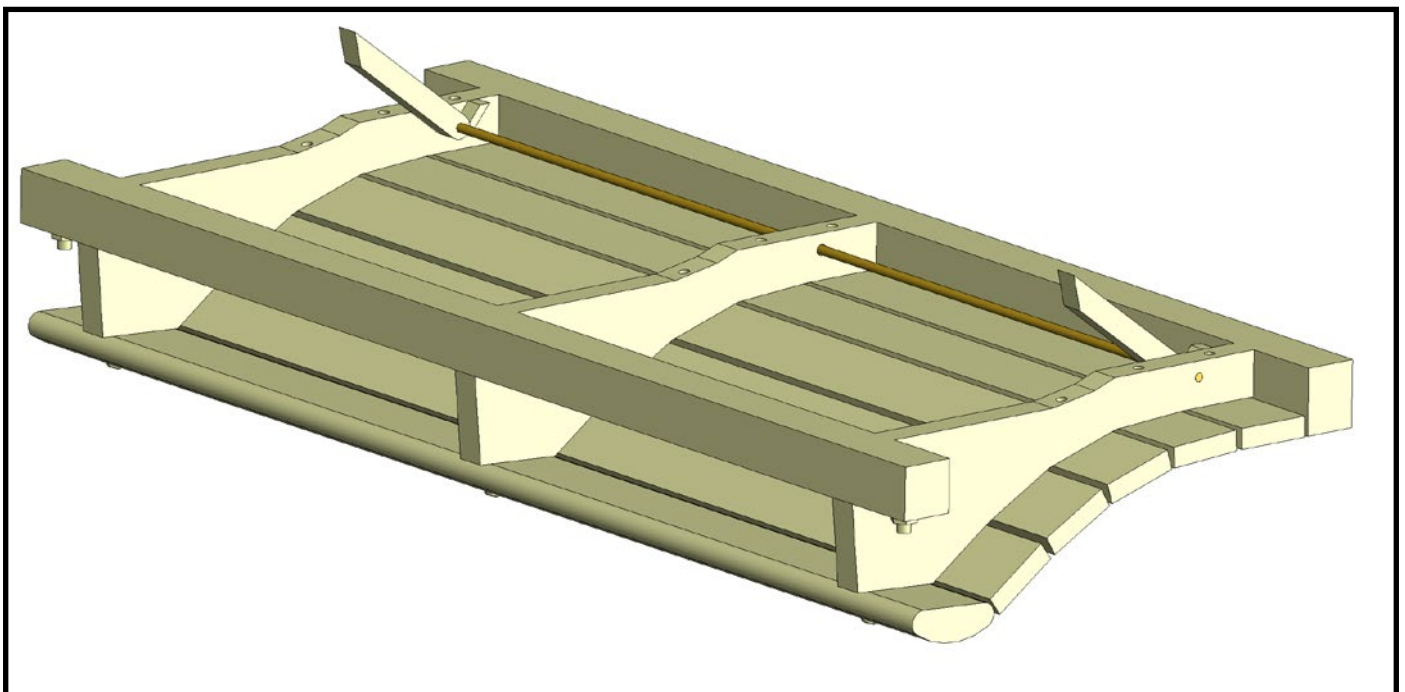
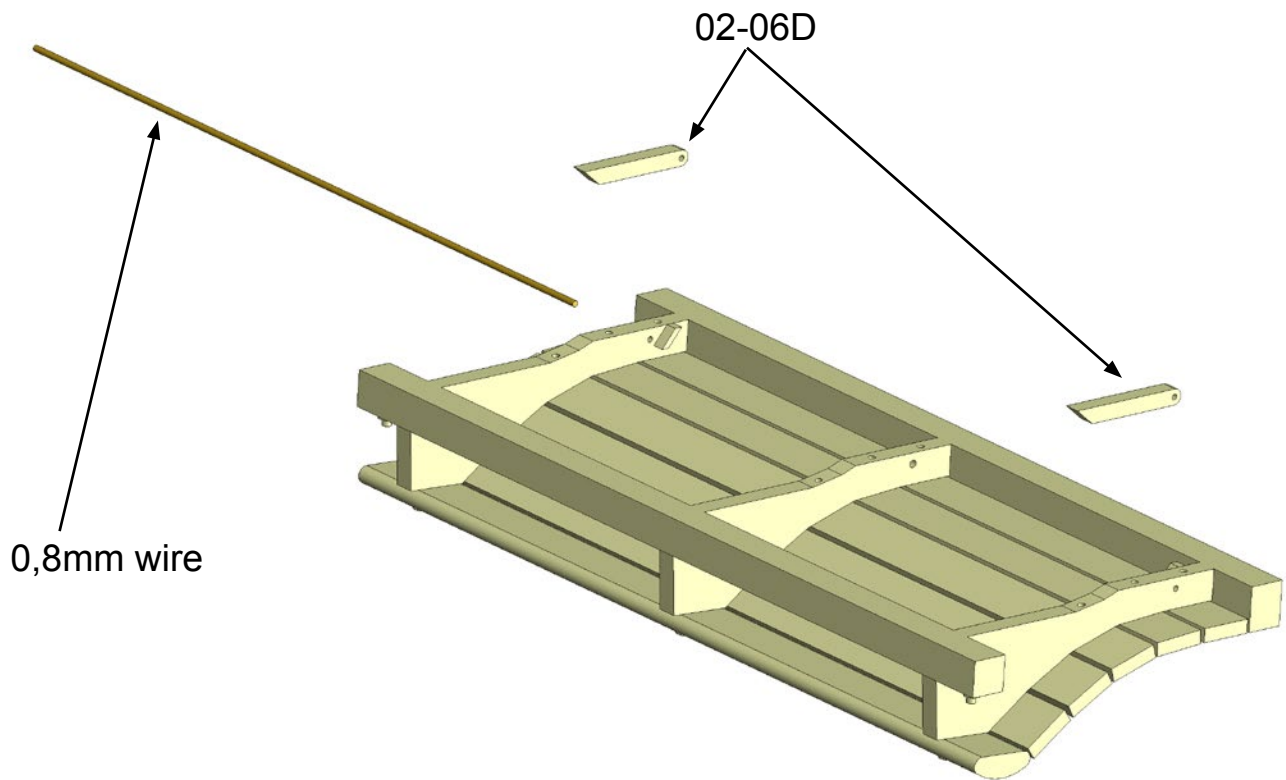
Glue part 02-06C to parts 02-06A and 02-06B.
Parts bolt-01 fit into the holes in part 02-06C.

2x



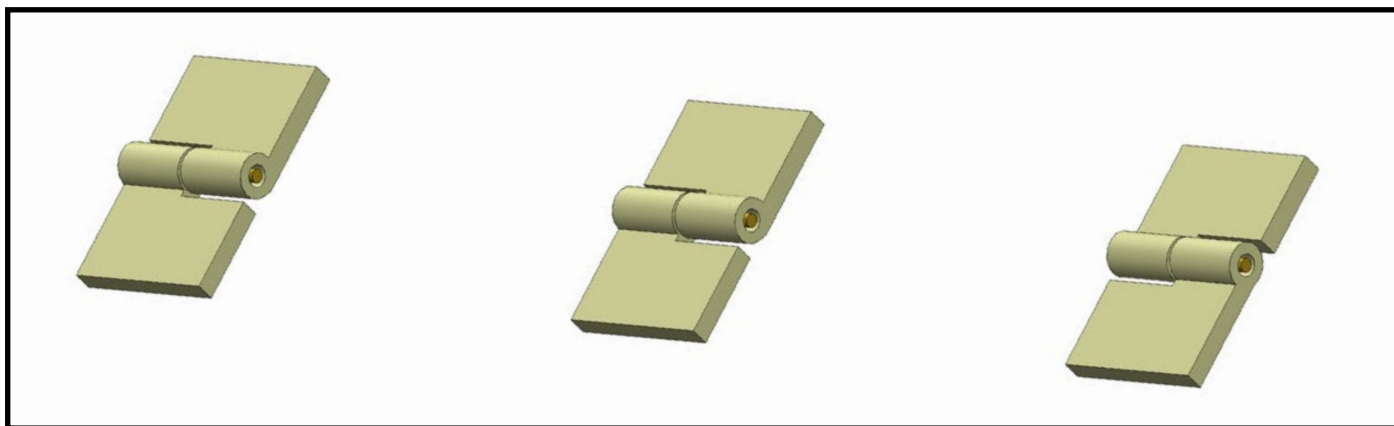
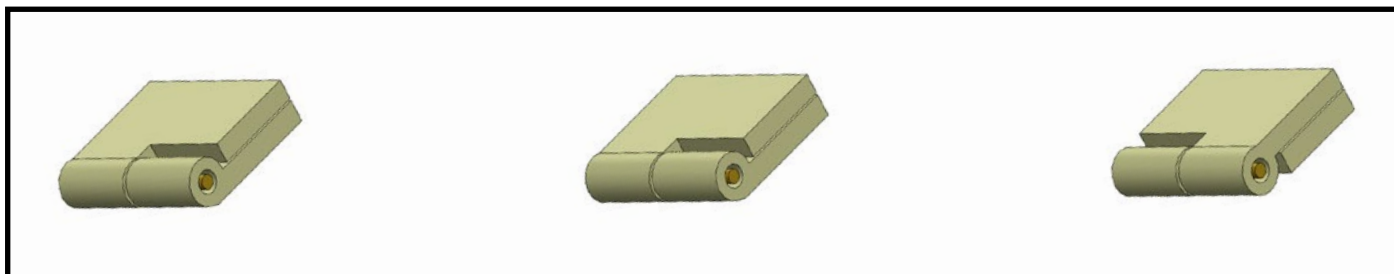
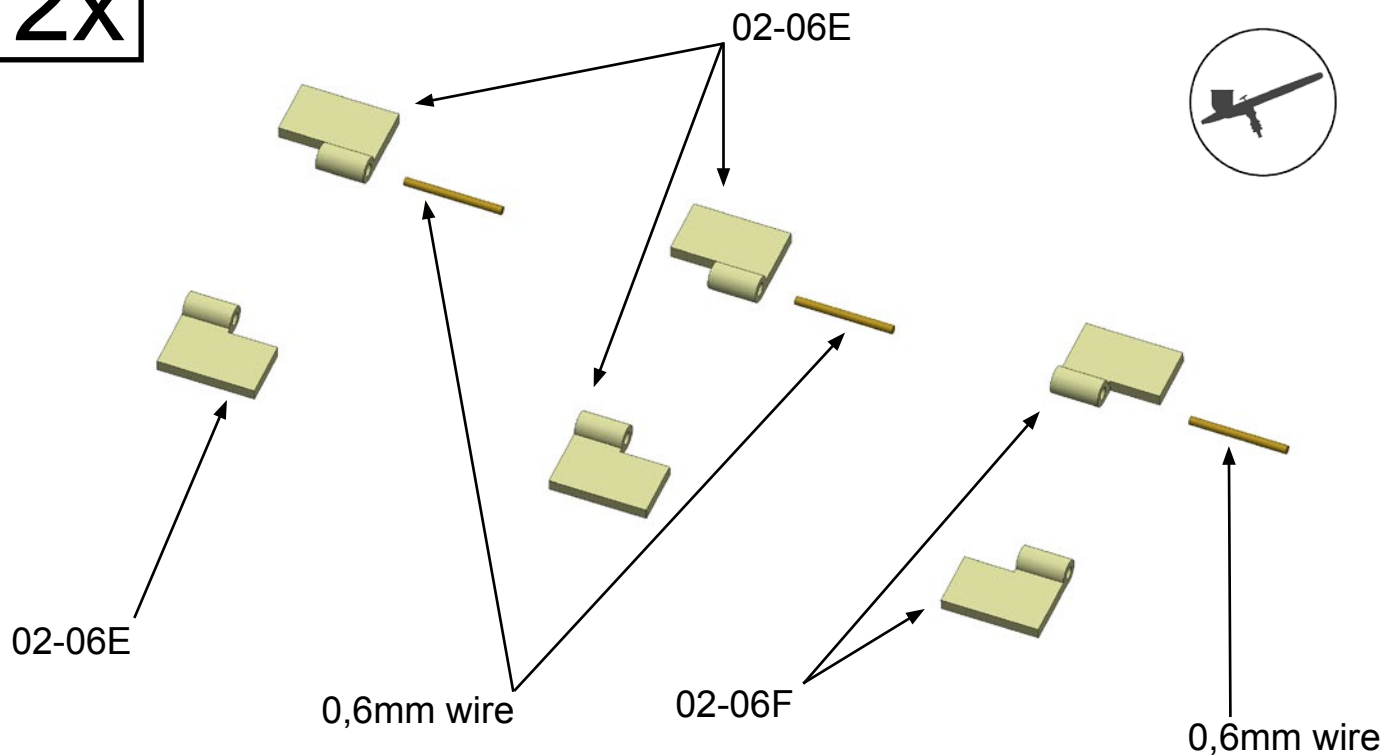
Glue parts bolt-02 to part 02-06C. **Paint the parts before gluing.**

2x



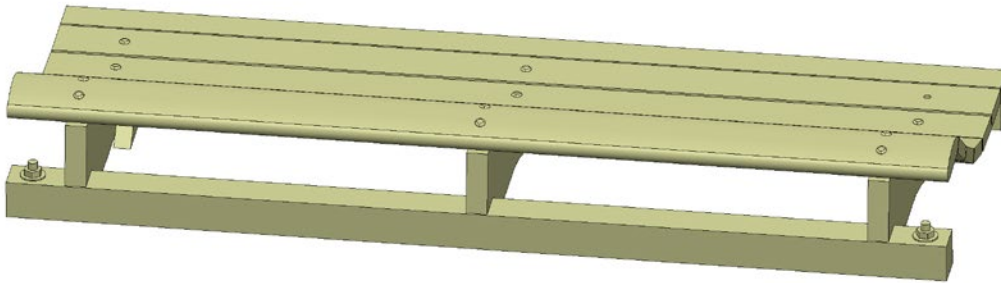
Install two parts 02-06D using a wire with a diameter of 0.8 mm.
GLUE PARTS 02-06D TO THE WIRE
DO NOT GLUE ANYTHING TO PART 02-06C !!!

2x

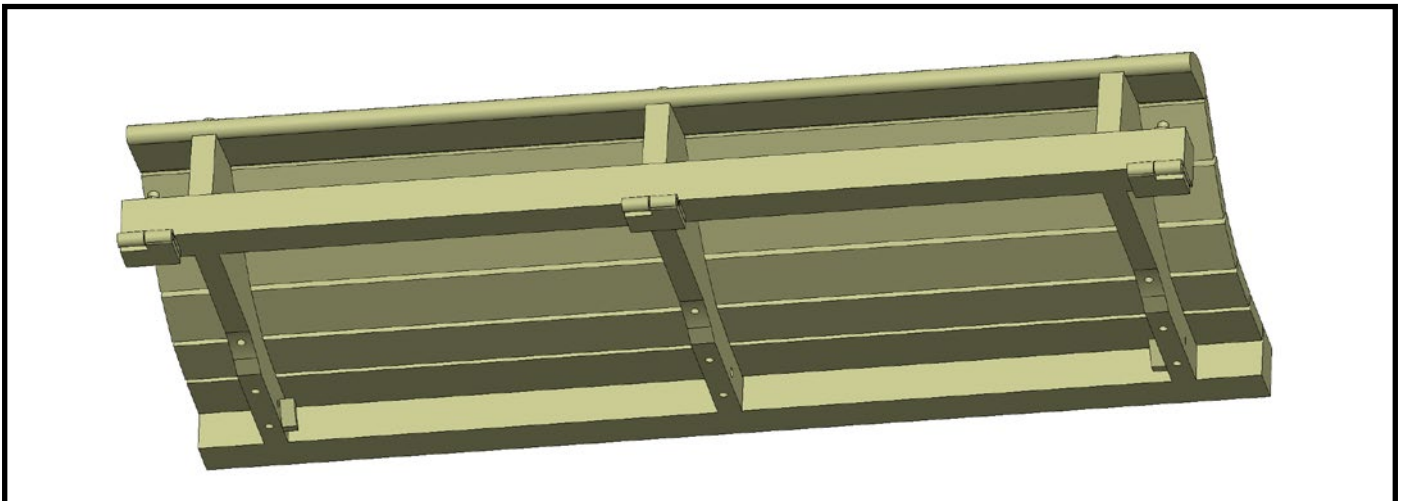
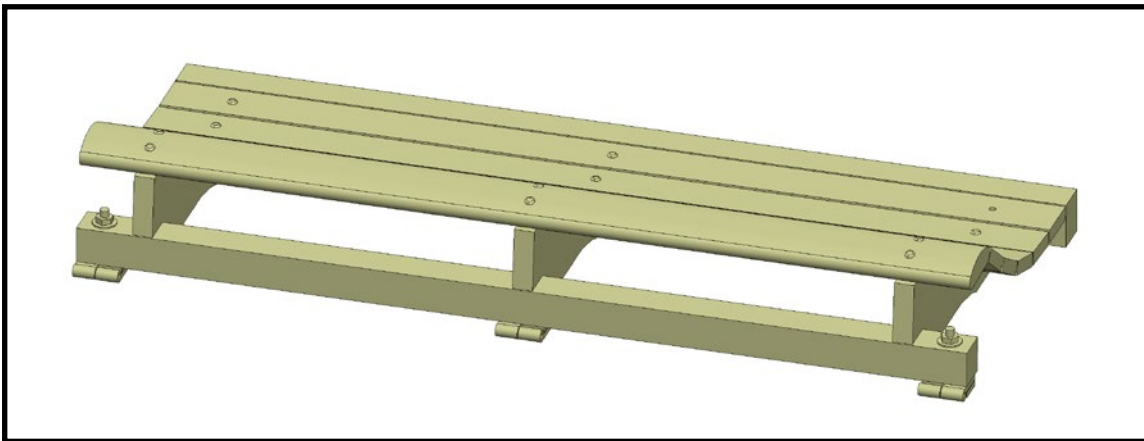


Create hinges using parts 02-06E, 02-06F and 0,6mm wire.
Always glue the wire to only one part of the hinge. **Paint the parts.**

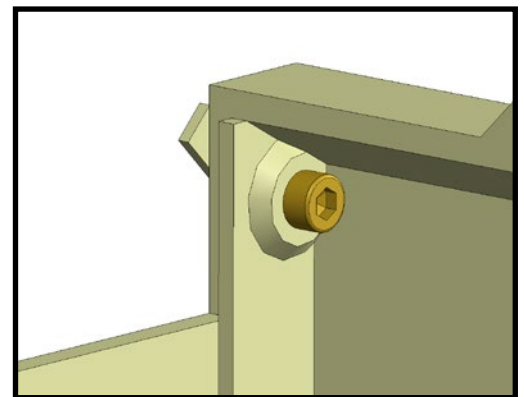
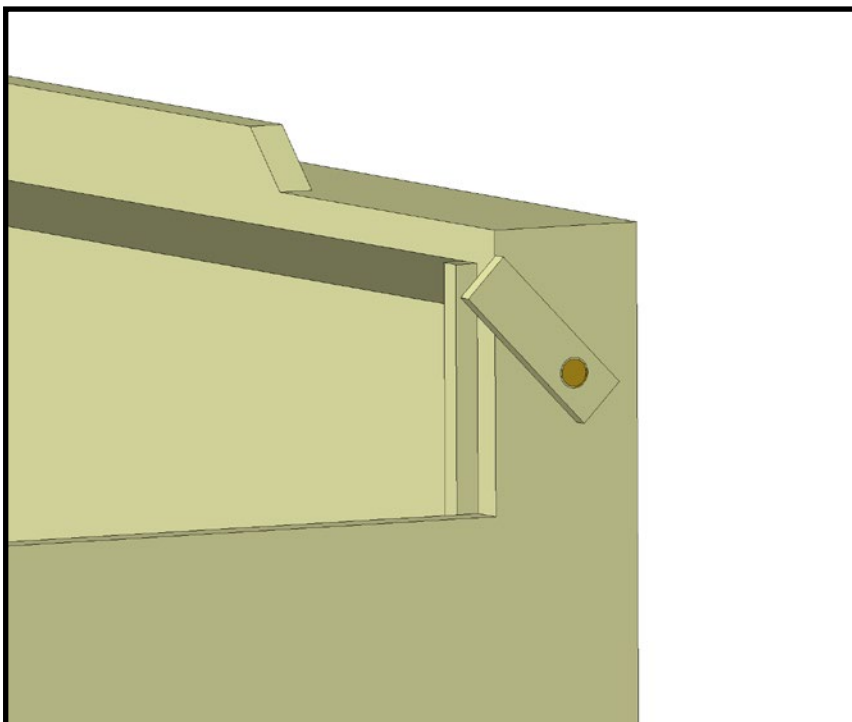
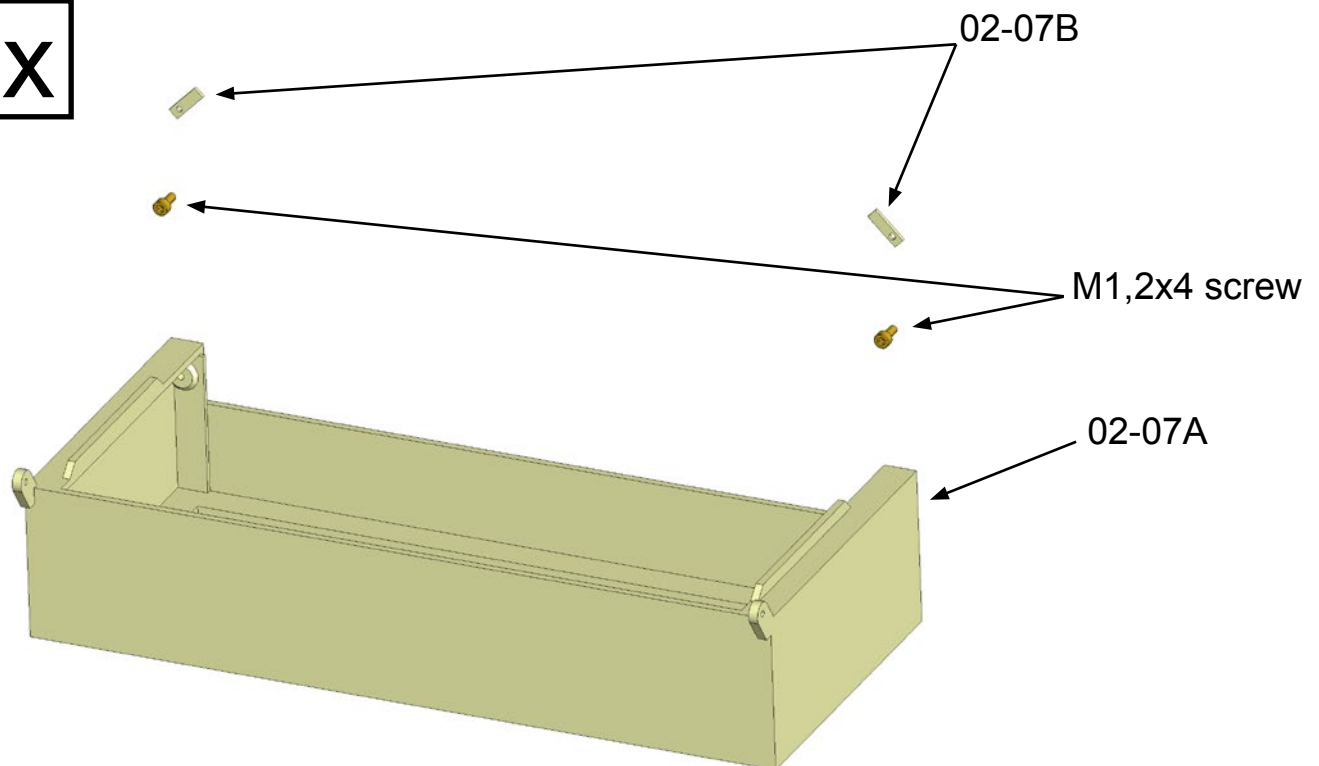
2x



02-06E+F (3x)

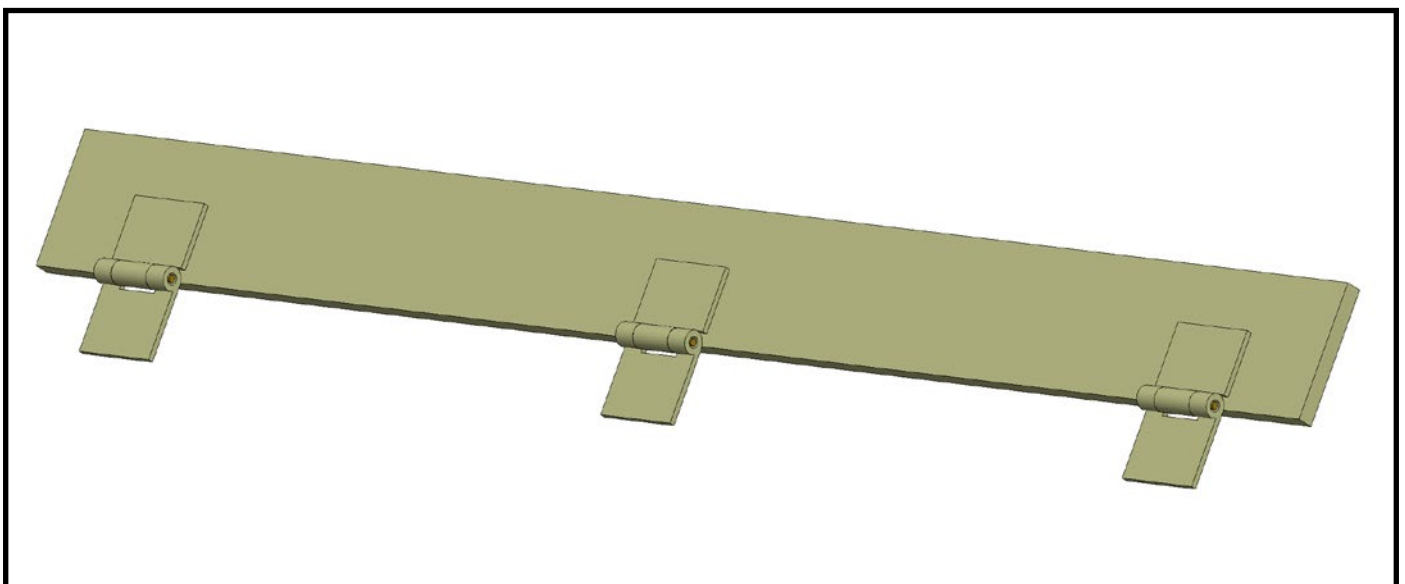
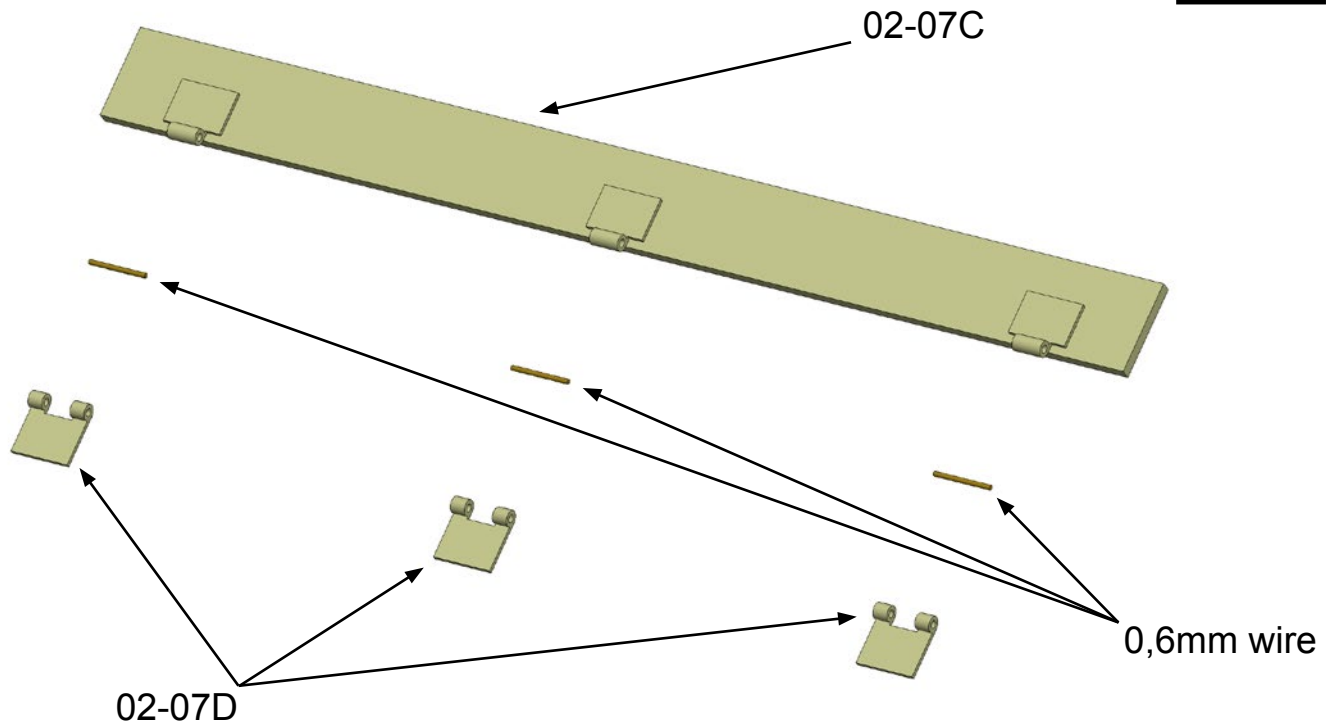


Glue parts 02-06E/F to part 02-06C.

2x

Install parts 02-07B to part 02-07A using M1.2x4 screws.
The screw must be firmly held in part 02-07B.
At the same time, part 02-07B must be rotatable.
You can secure the bolt with superglue from the front side of part 02-07B.

2x

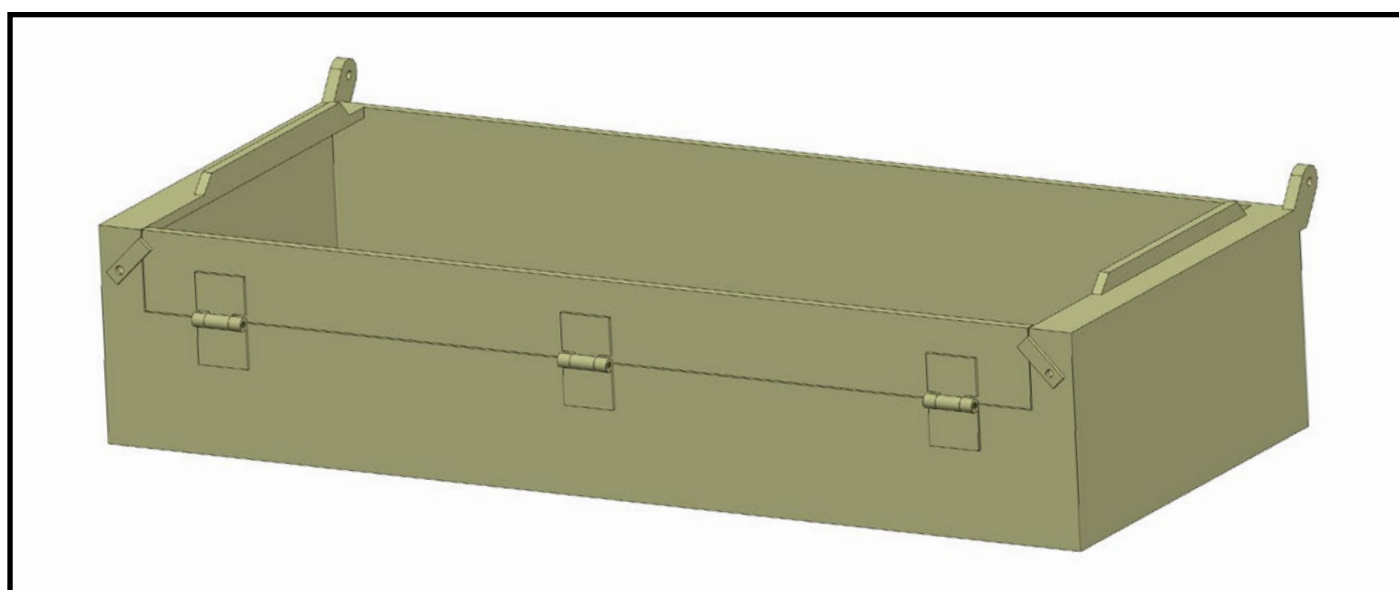
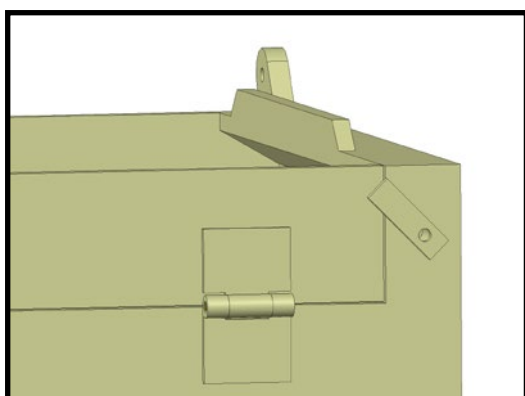
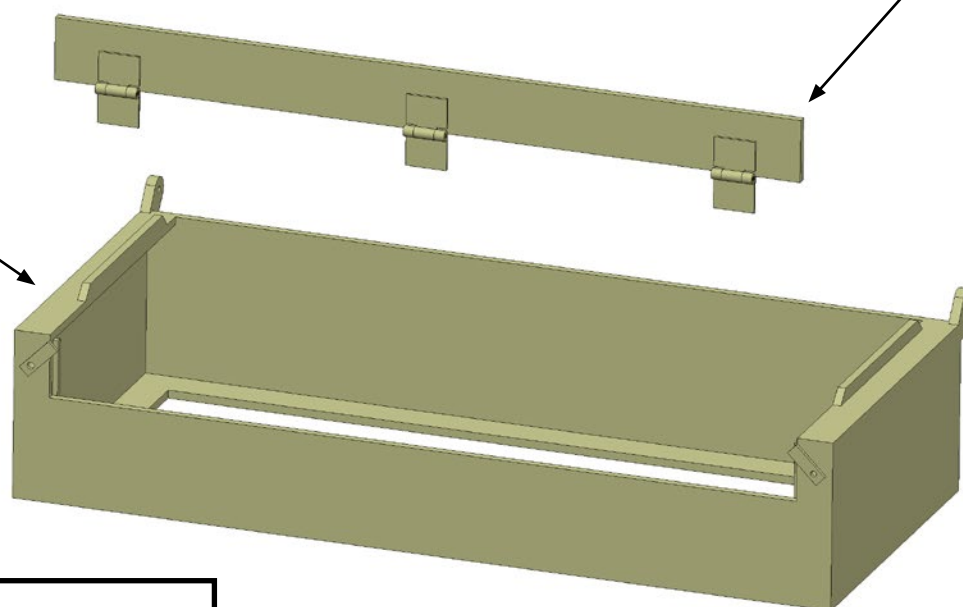


Create a door with hinges from parts 02-07C and 02-07D.
You can glue the wire to part 02-07D to prevent it from falling out.

2x

02-07A

02-07C

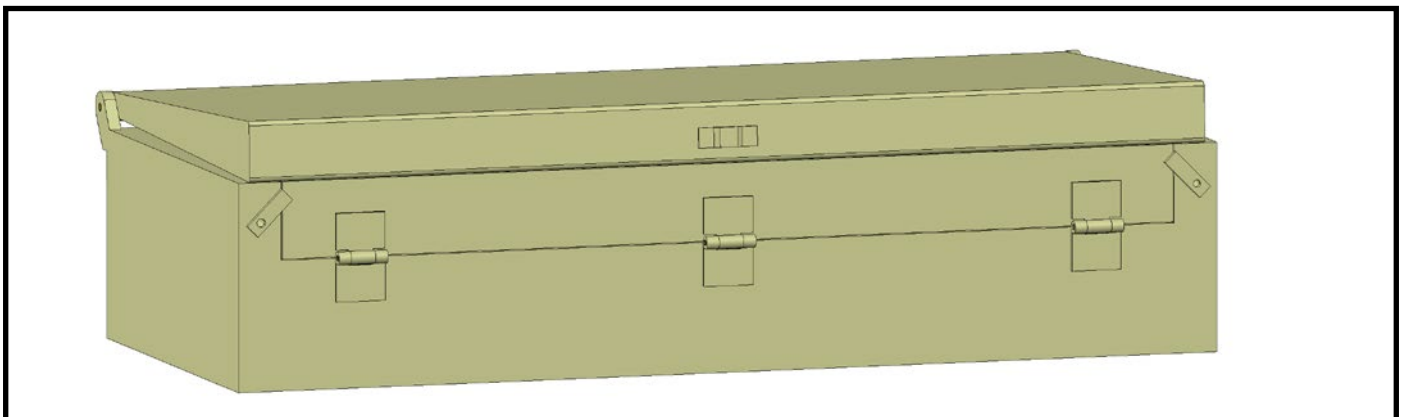
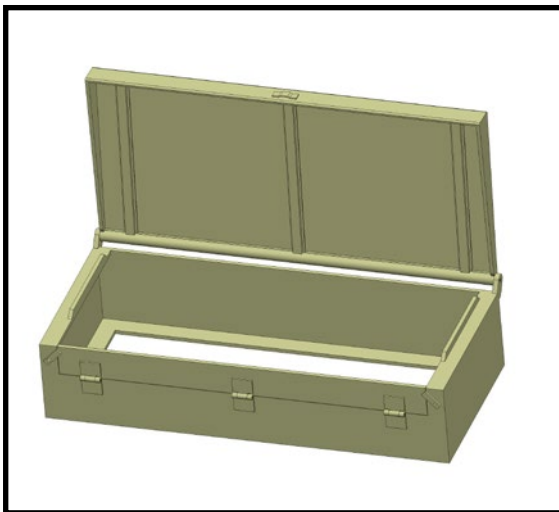
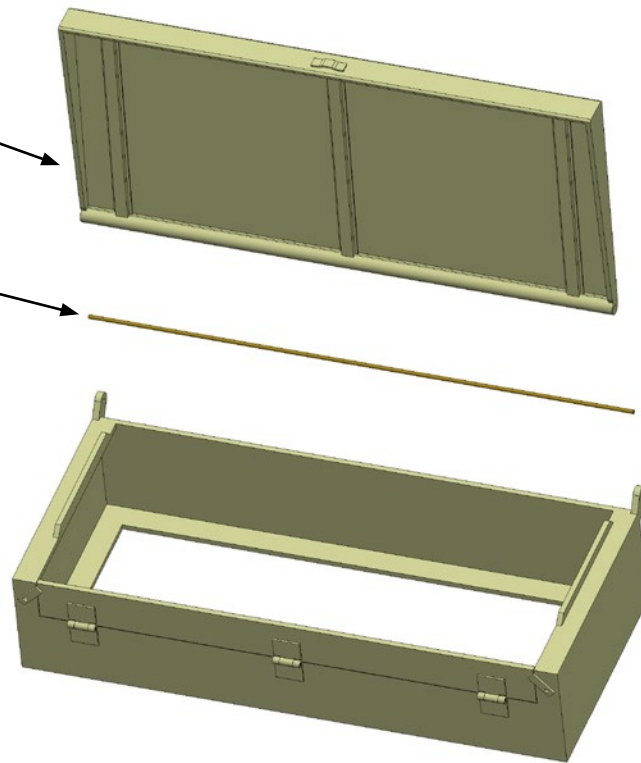


Glue part 02-07C to part 02-07A.

2x

02-07E

0,8mm wire

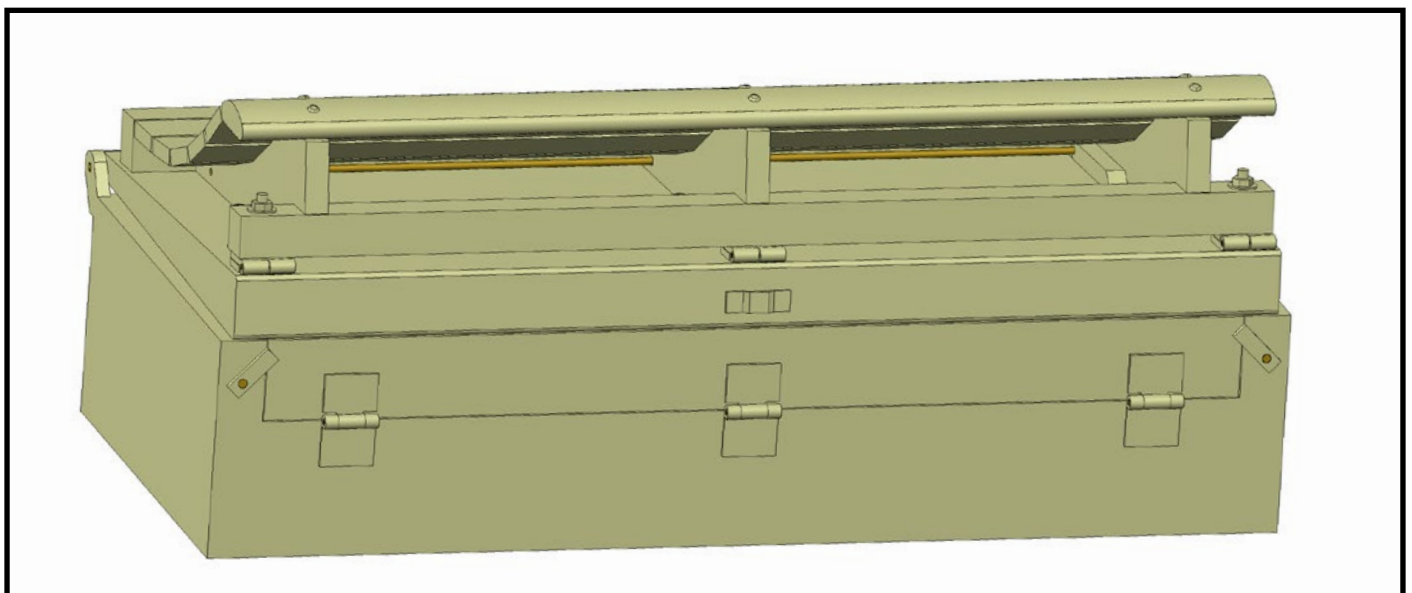
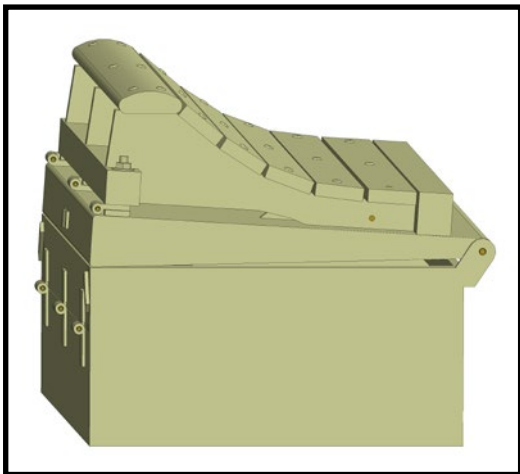
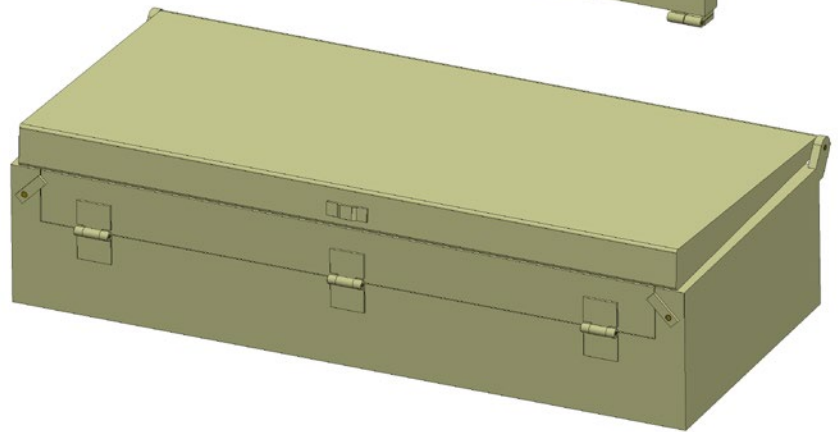
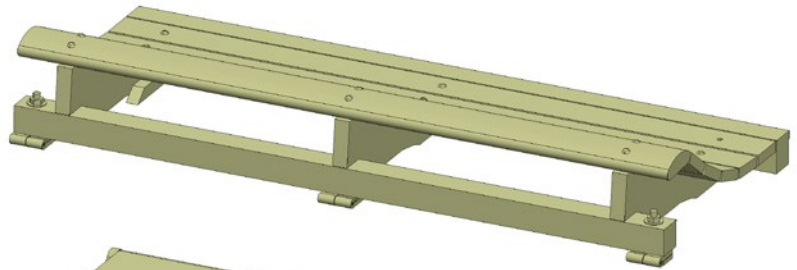


Install part 02-07E using a wire with a diameter of 0,8 mm.
Glue part 02-07A to the wire. **Paint the parts.**

2x

02-06 (assembled)

02-07 (assembled)



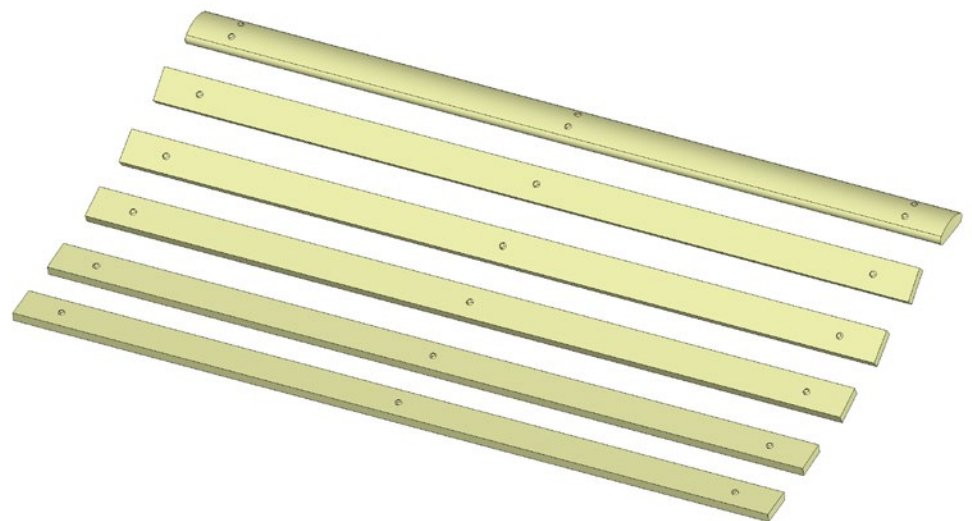
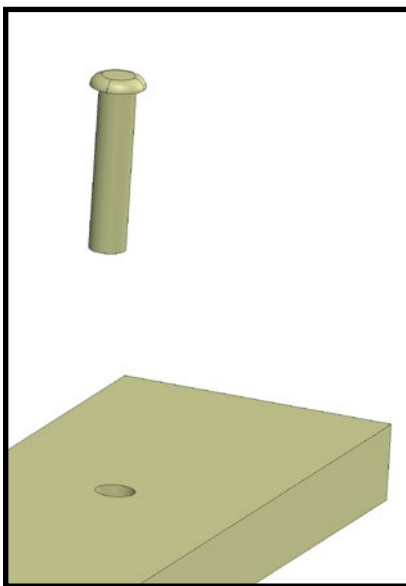
Glue both parts together. Part 02-06E/F should be glued to part 02-07E.

bolt-01 (21x)

2x

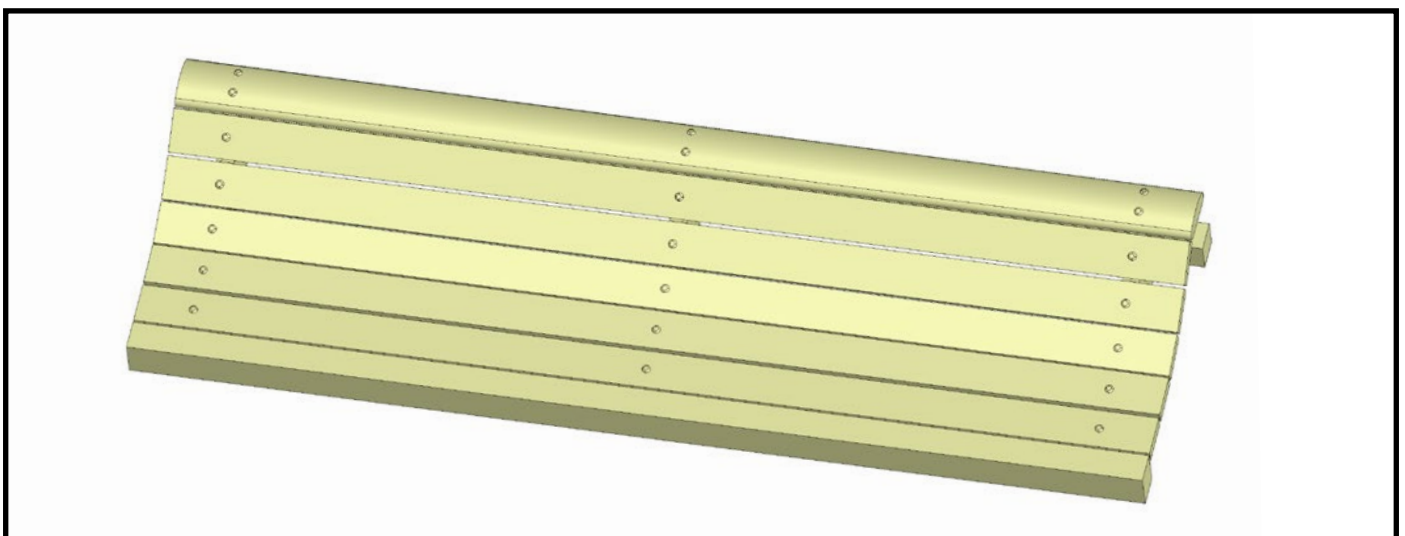
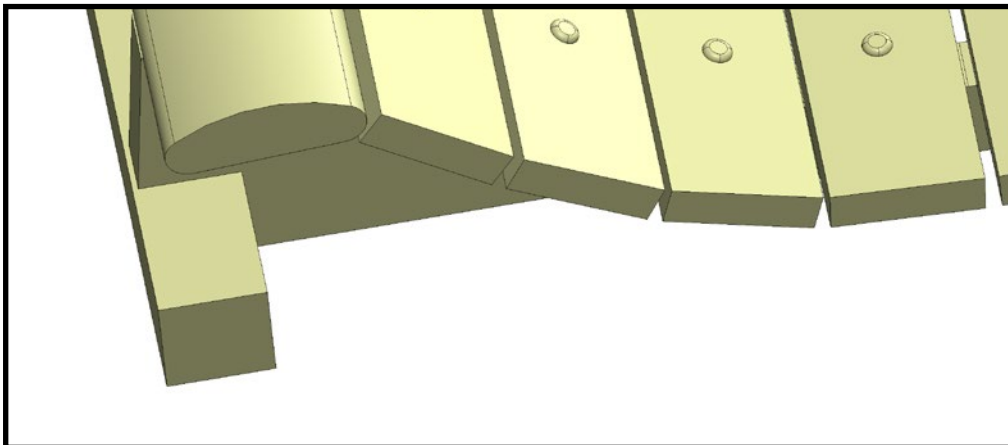
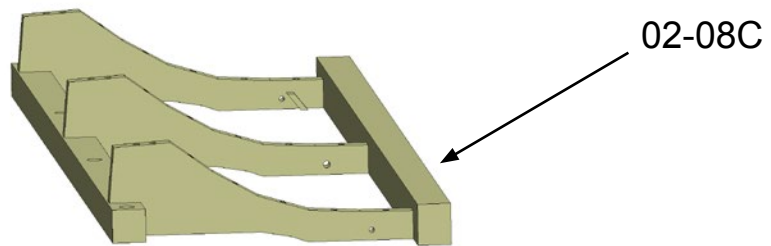
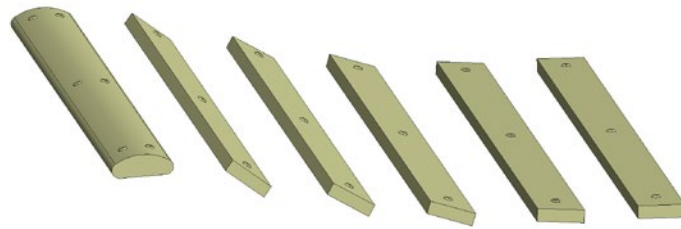
02-08A (5x)

02-08B



Glue parts bolt-01 into parts 02-08A and 02-08B. **Paint all parts before gluing.**
You can paint the wooden parts with wood varnish or leave them unpainted.
Use bolt-01 as shown in the detail on the left. Do not separate the thin part.

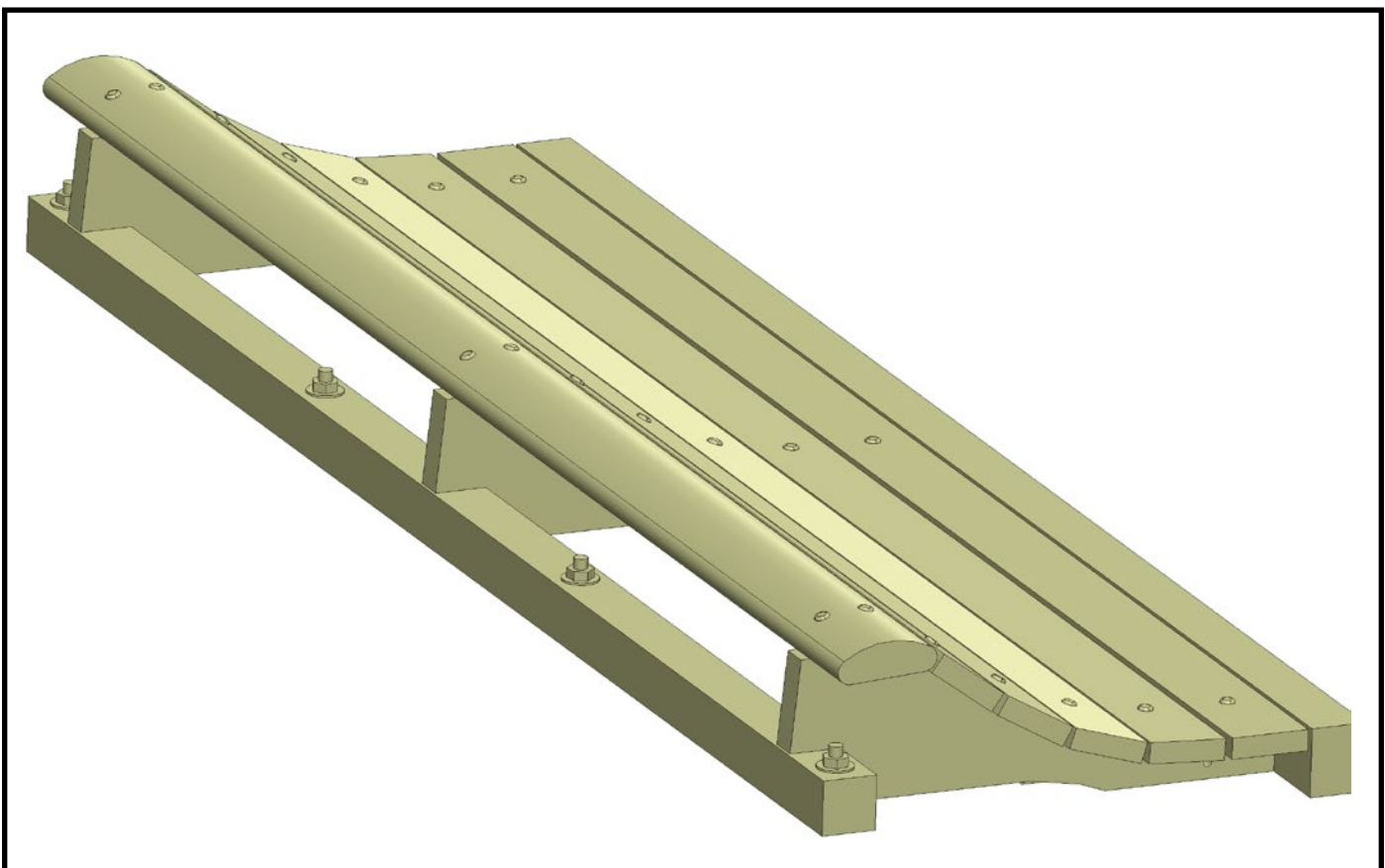
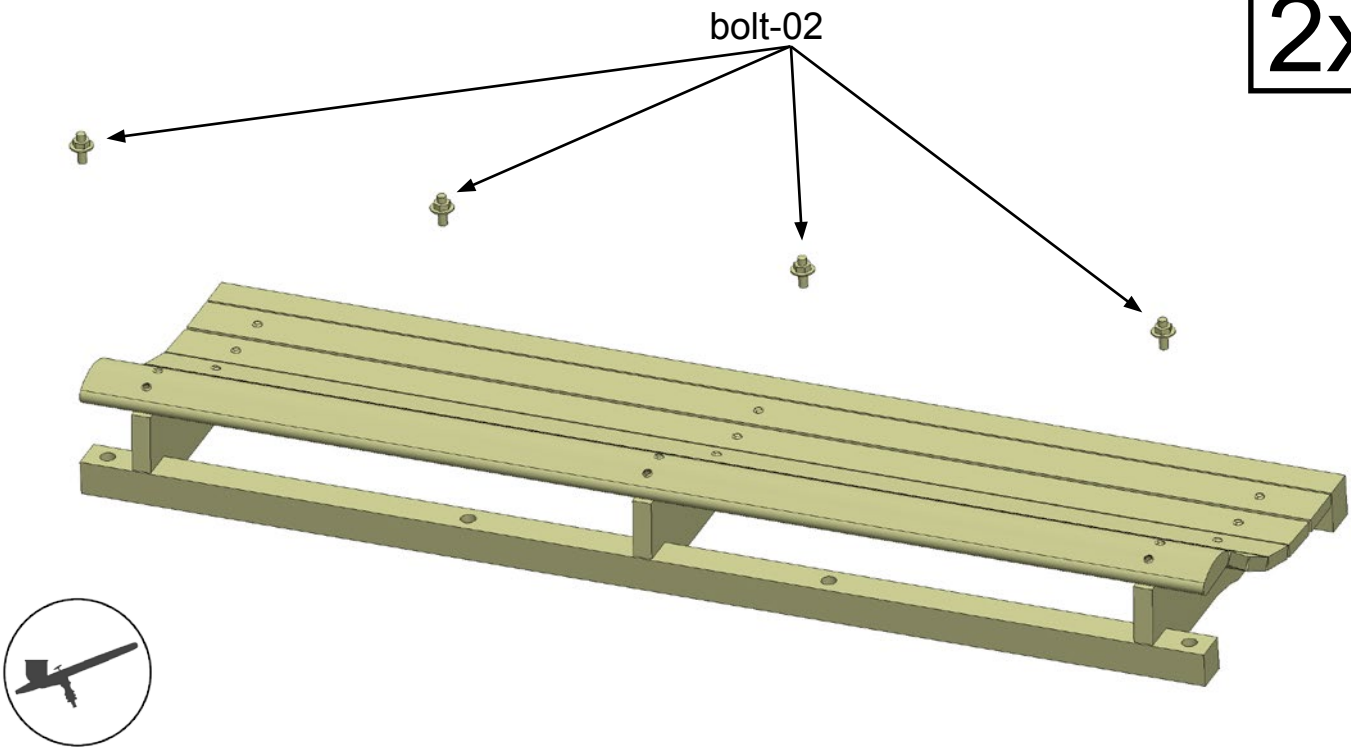
2x



Glue part 02-06C to parts 02-06A and 02-06B.
Parts bolt-01 fit into the holes in part 02-06C.

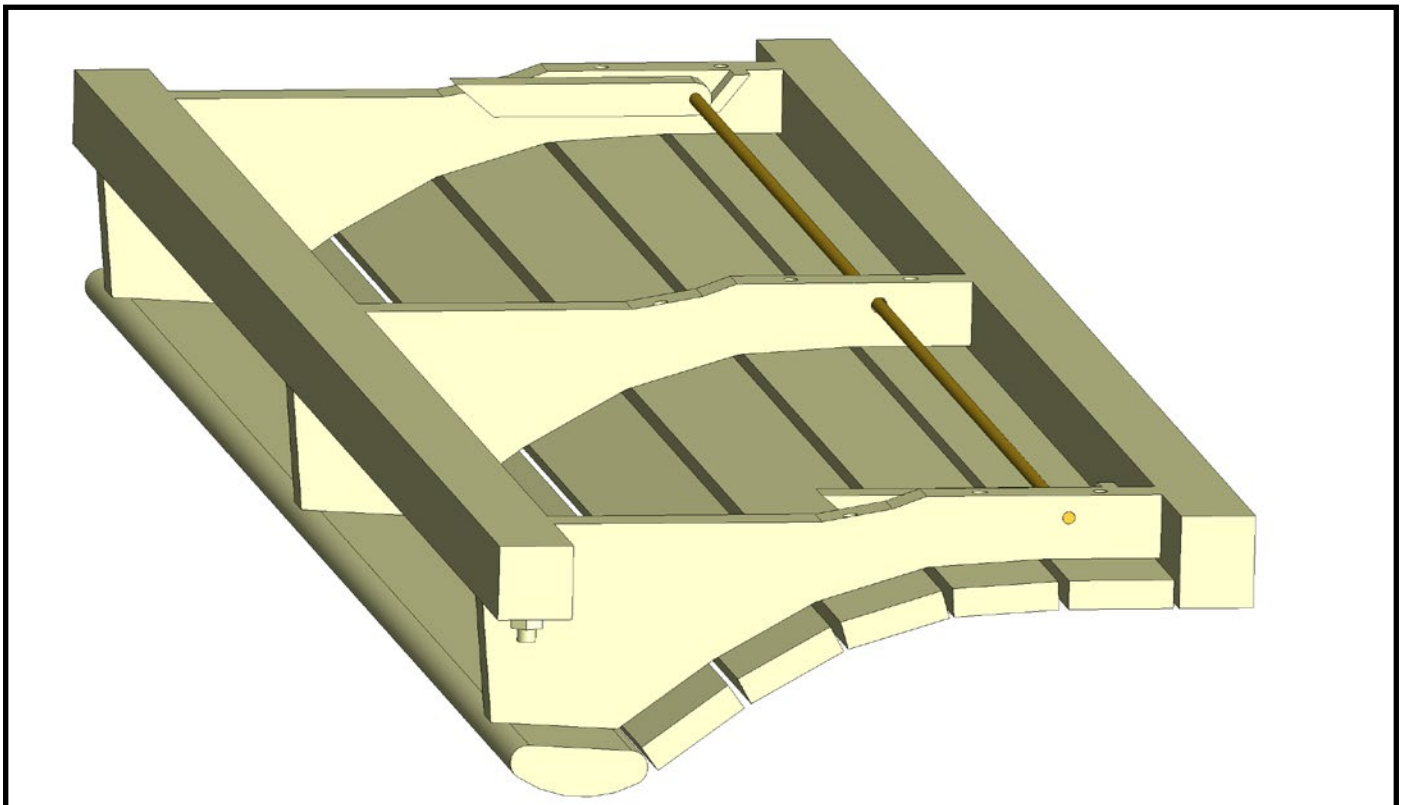
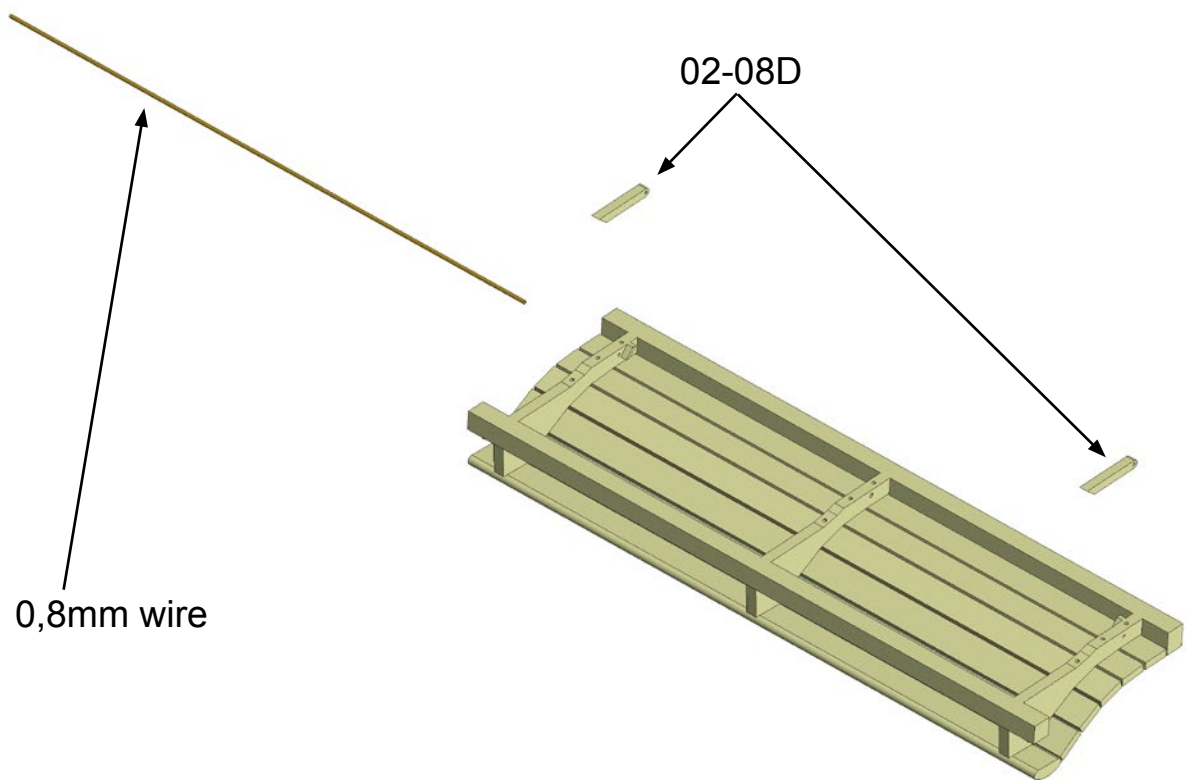
2x

bolt-02

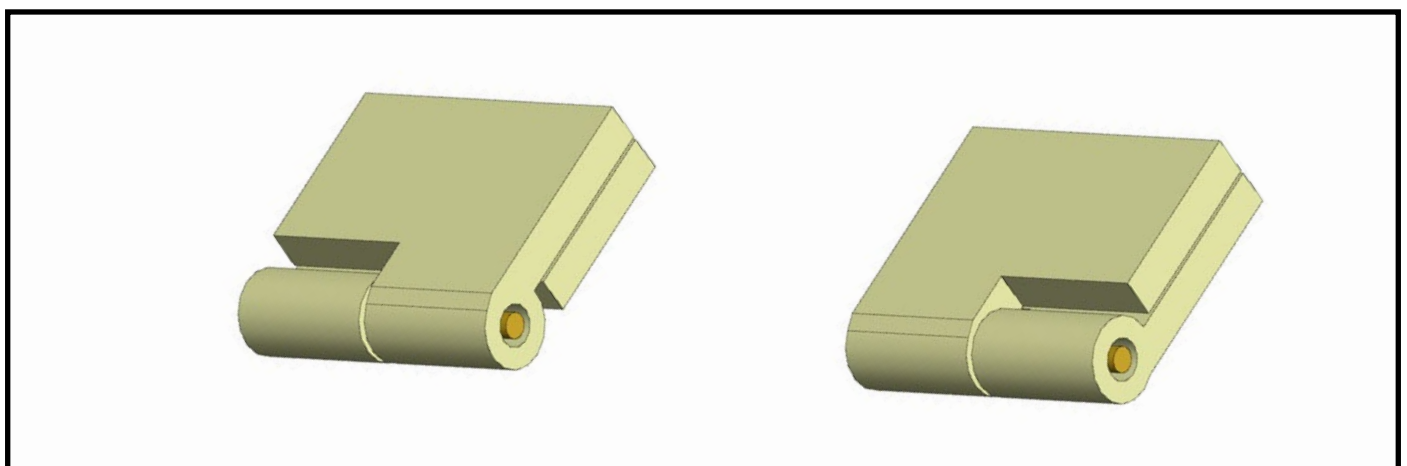
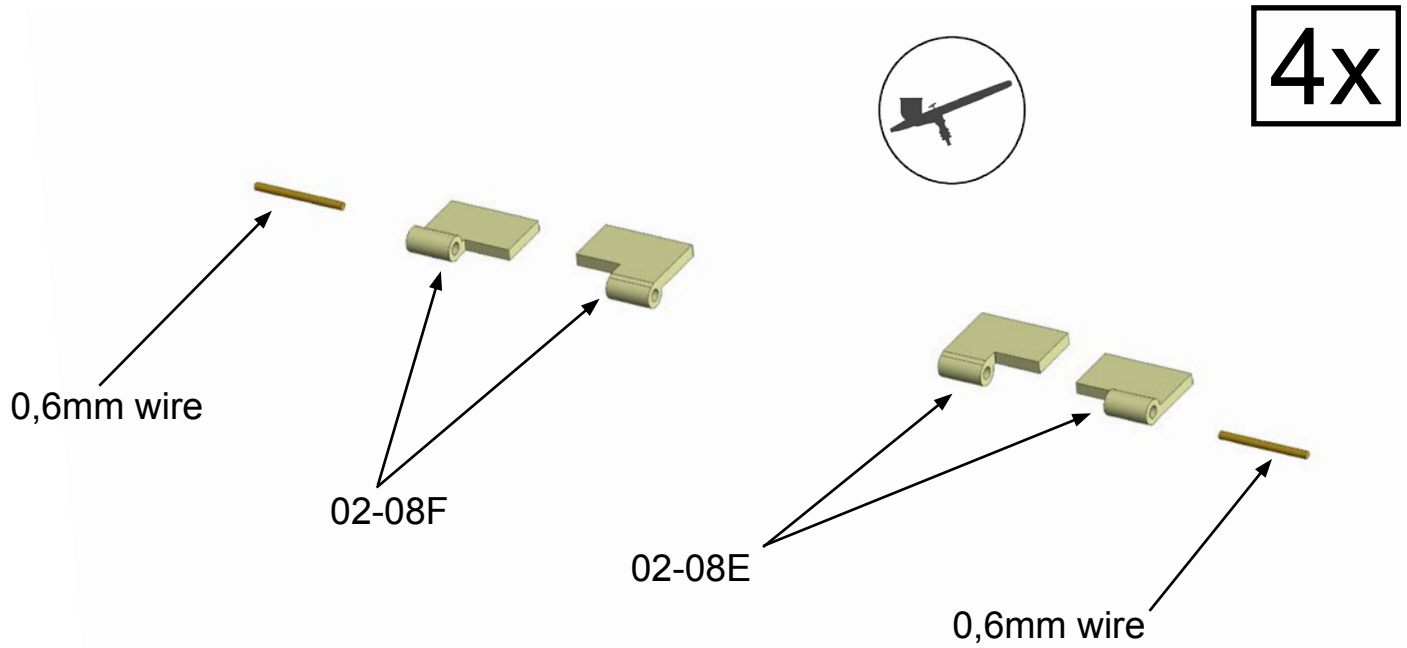


Glue parts bolt-02 to part 02-08C. **Paint the parts before gluing.**

2x

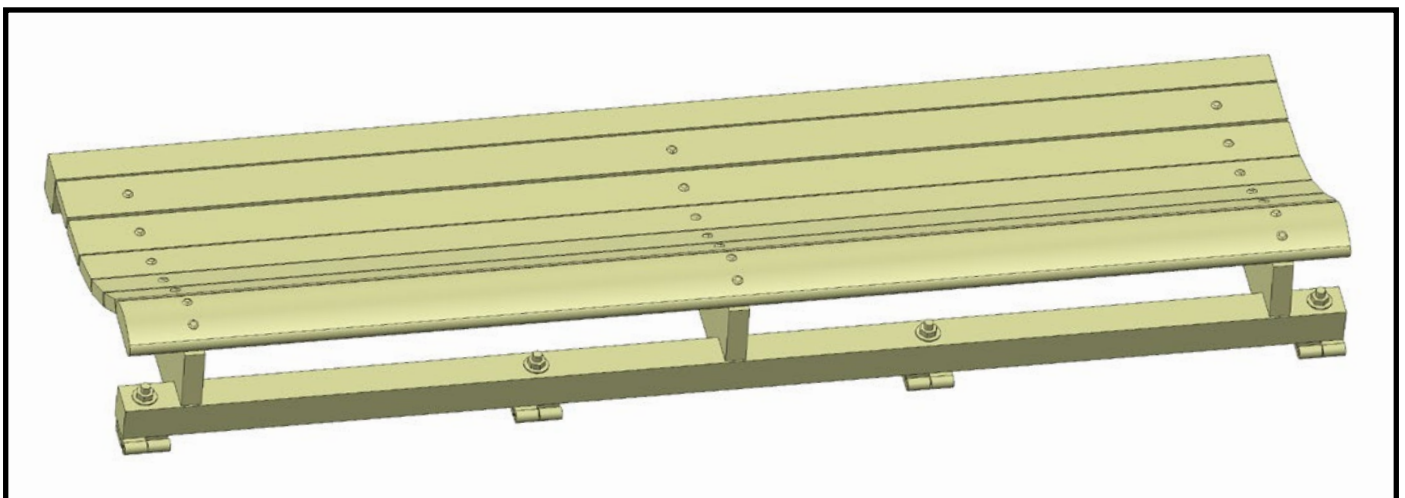
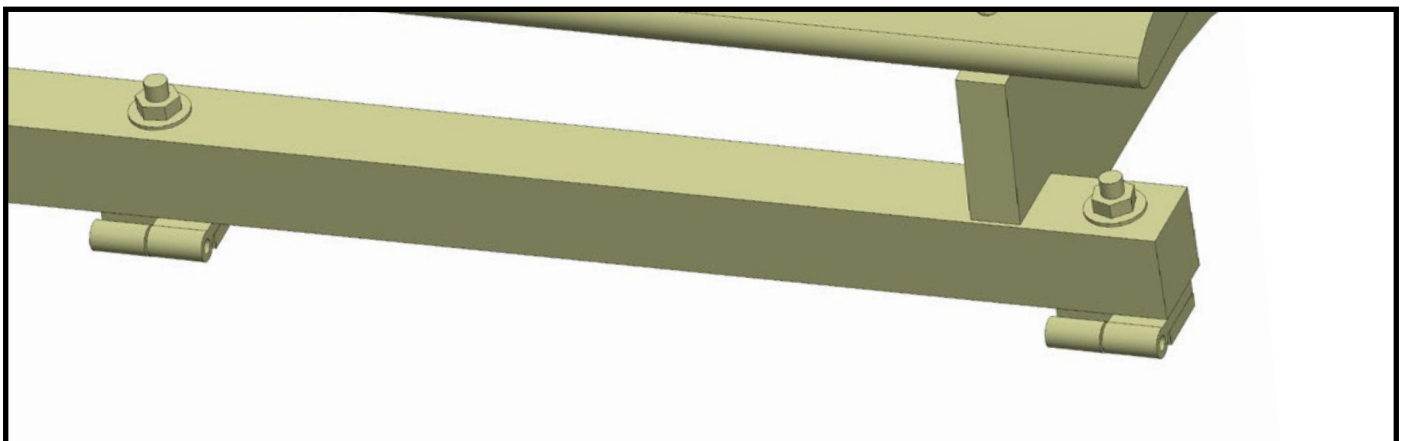
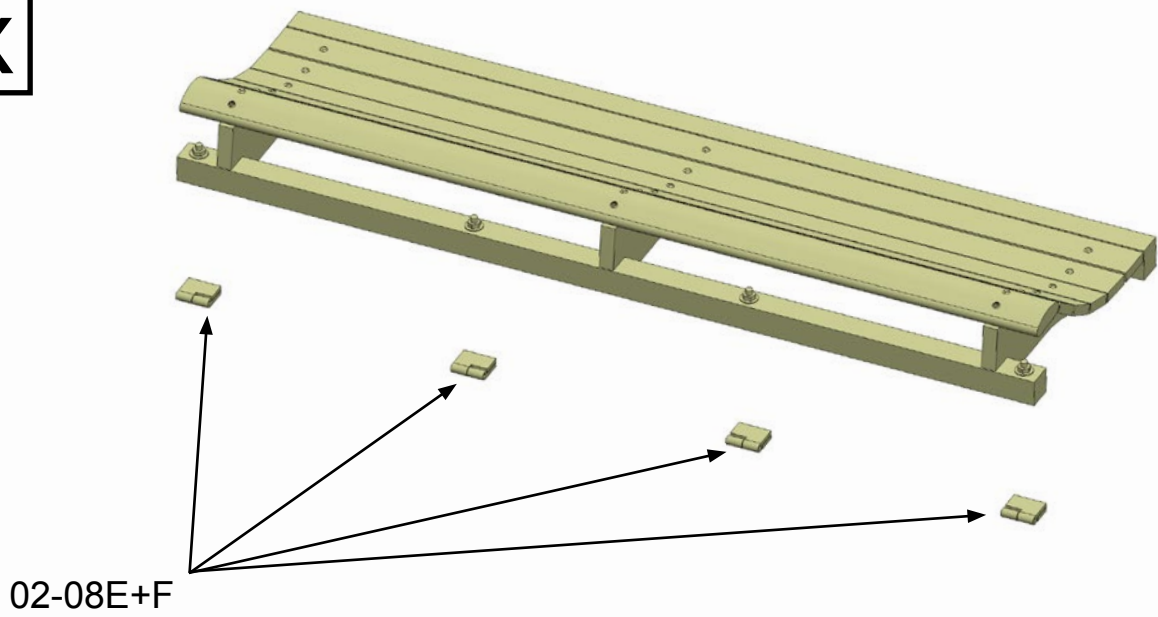


Install two parts 02-08D using a wire with a diameter of 0.8 mm.
GLUE PARTS 02-08D TO THE WIRE
DO NOT GLUE ANYTHING TO PART 02-08C !!!

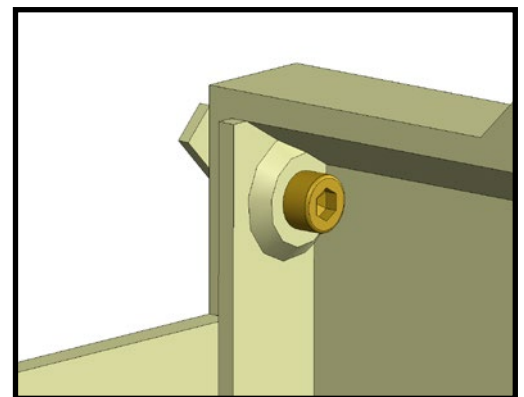
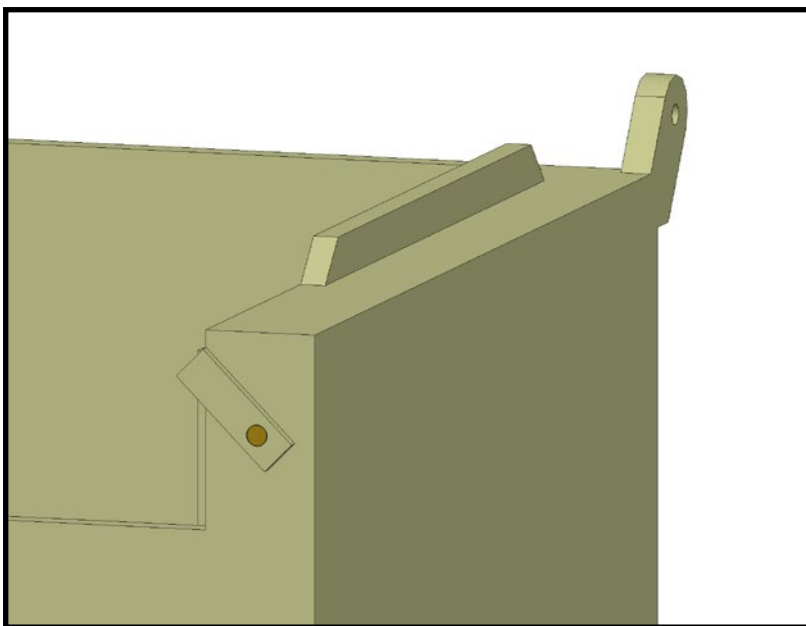
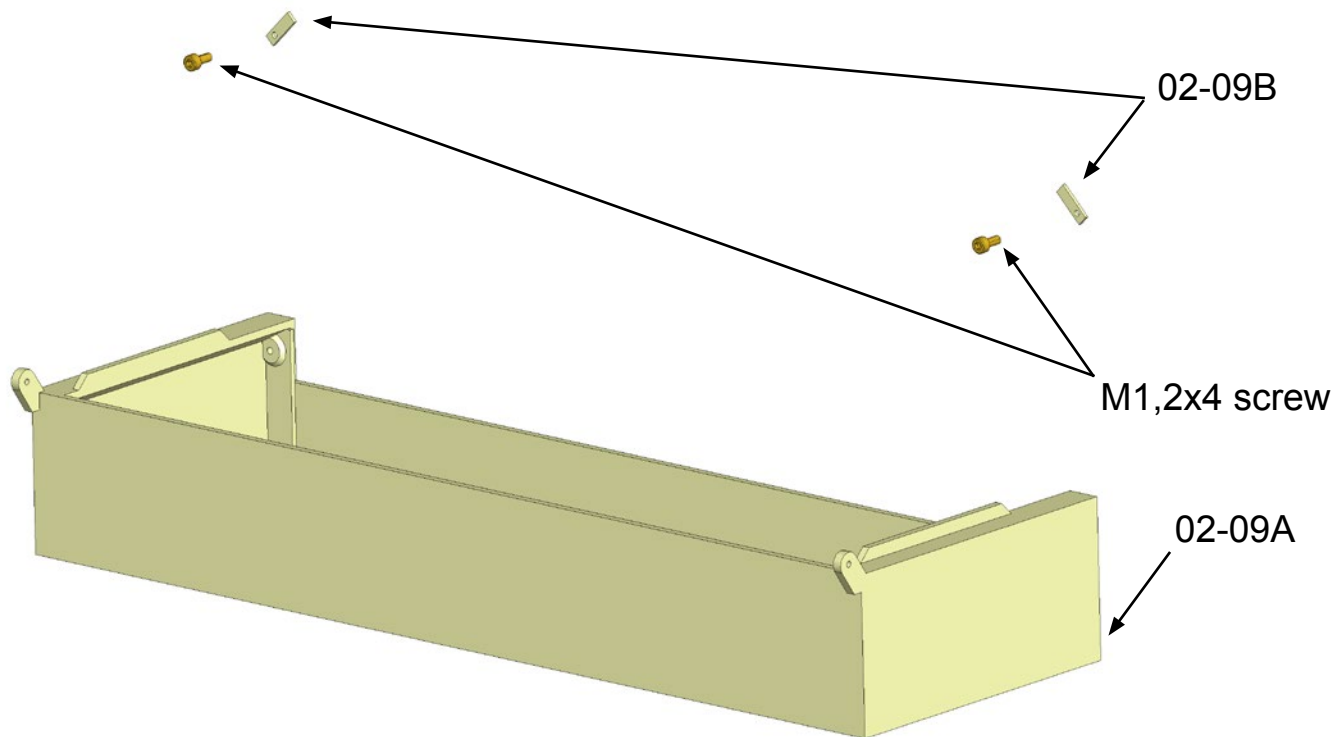


Create hinges using parts 02-08E, 02-08F and 0,6mm wire.
Always glue the wire to only one part of the hinge. **Paint the parts.**

2x

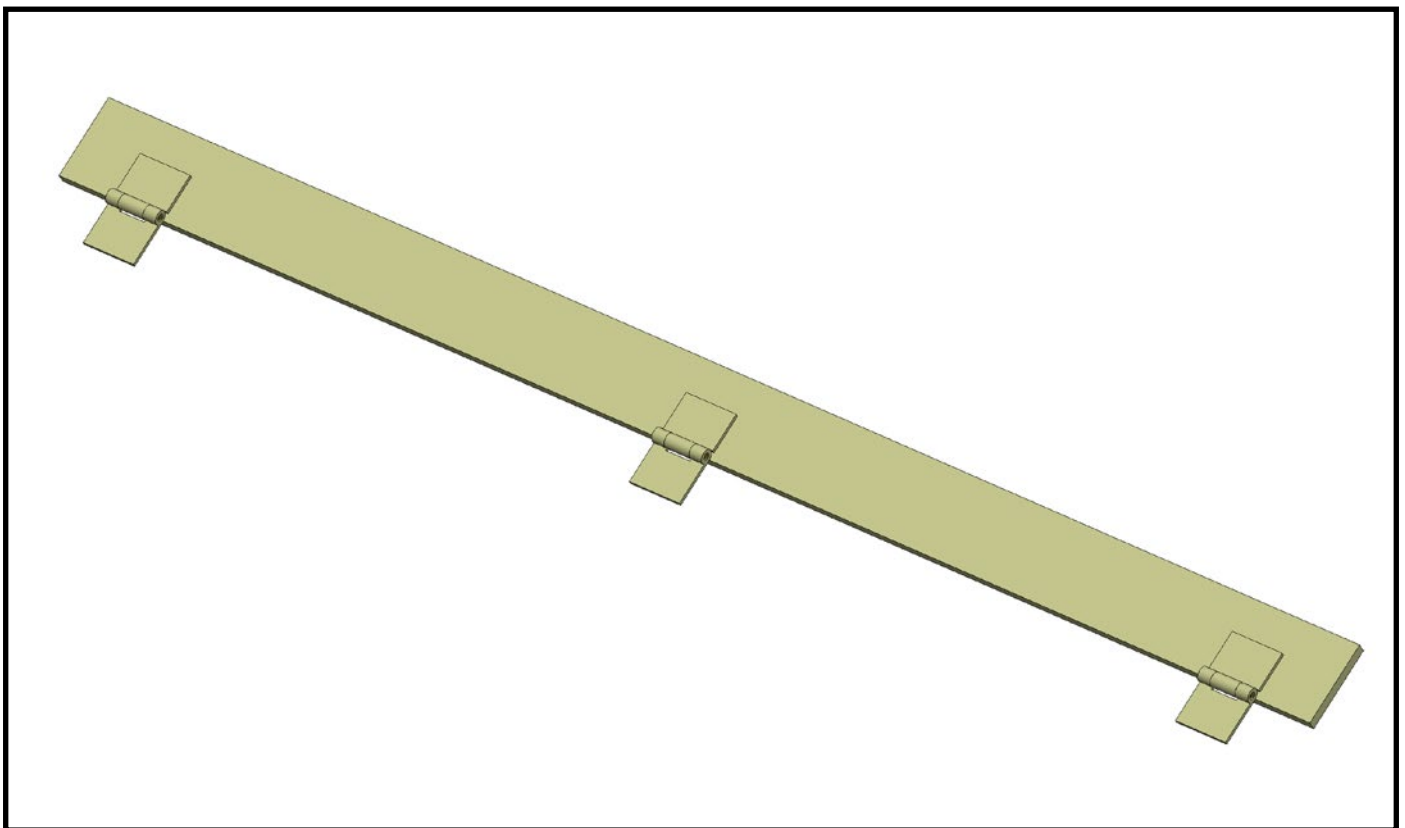
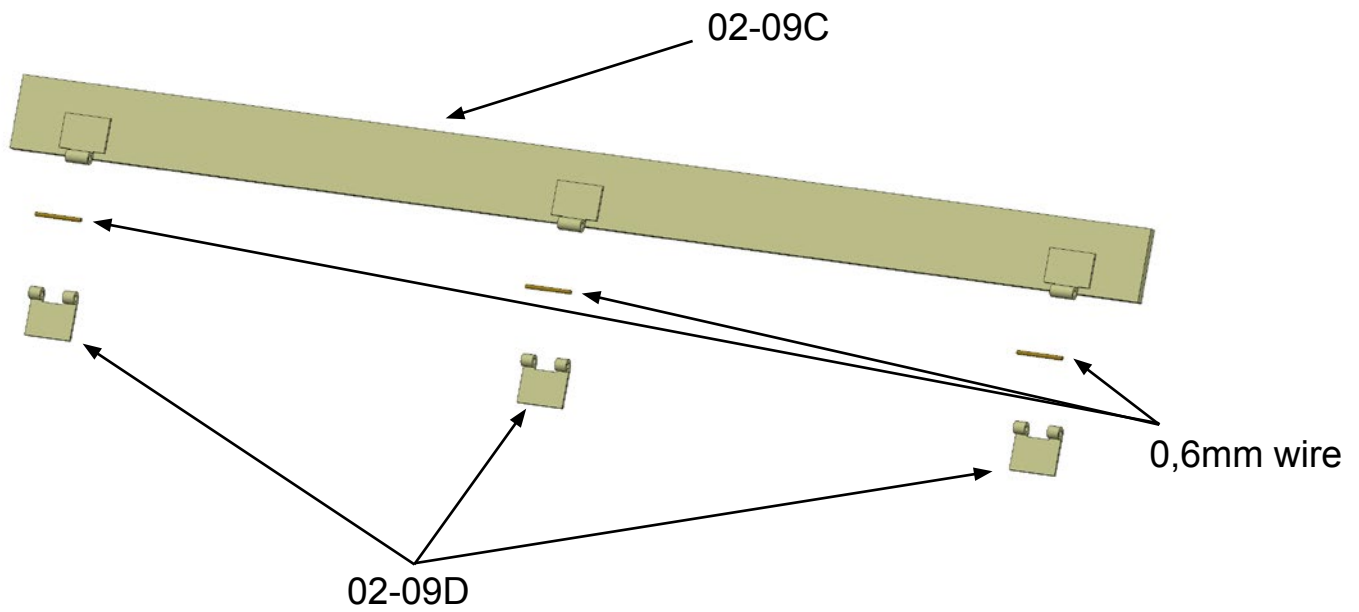


Glue parts 02-08E/F to part 02-08C.

2x

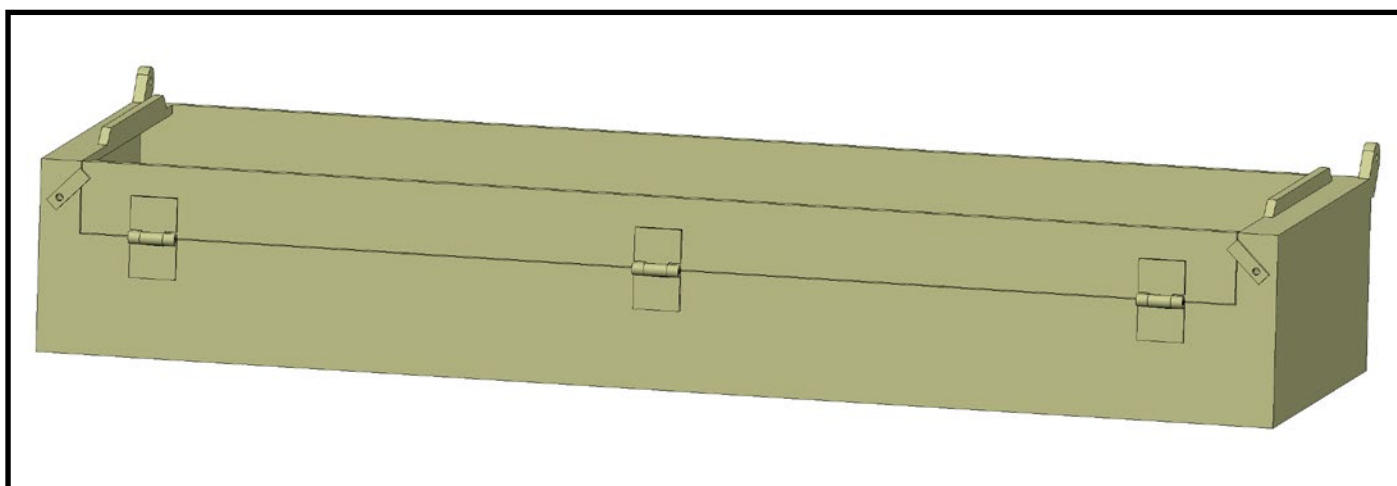
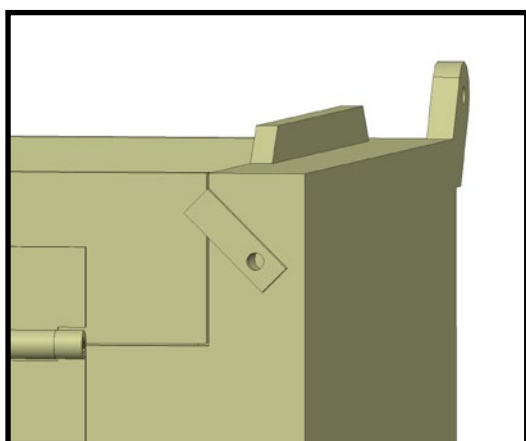
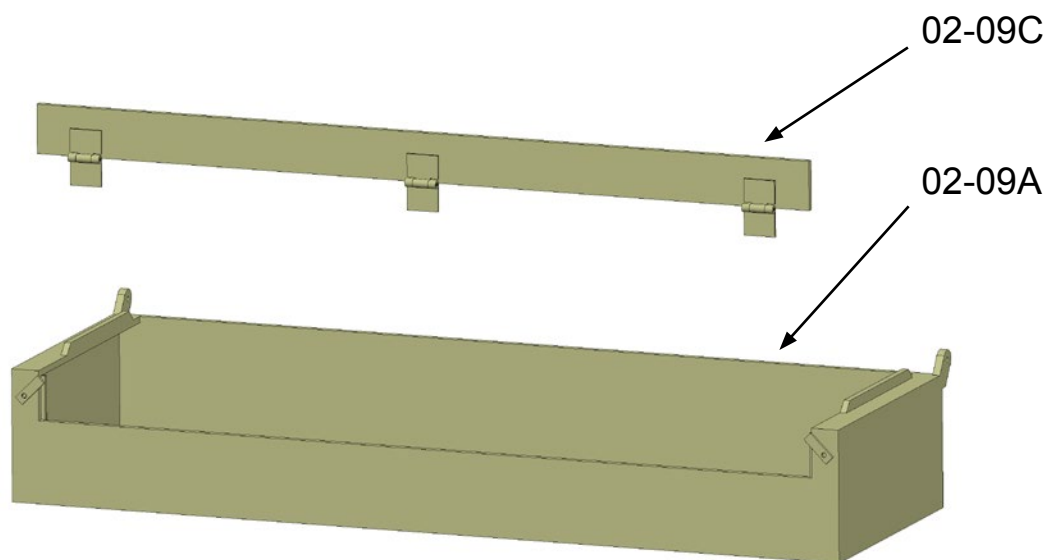
Install parts 02-09B to part 02-09A using M1.2x4 screws.
The screw must be firmly held in part 02-09B.
At the same time, part 02-09B must be rotatable.
You can secure the bolt with superglue from the front side of part 02-09B.

2x



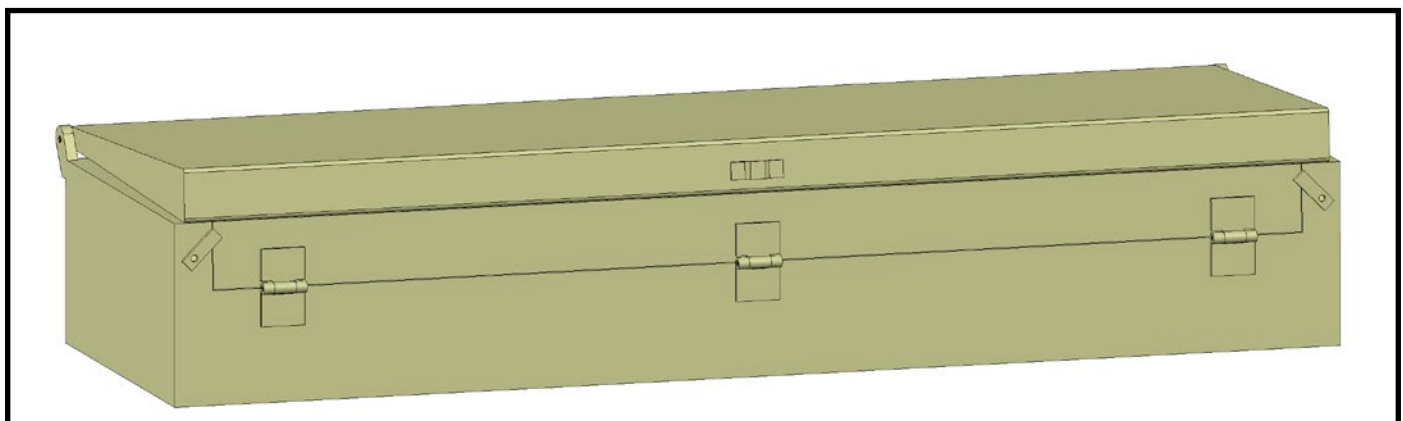
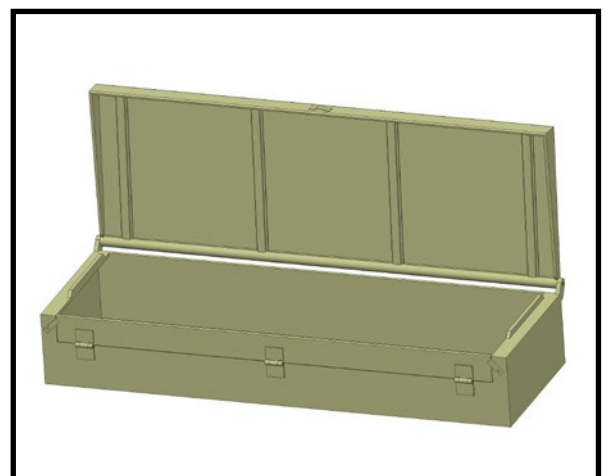
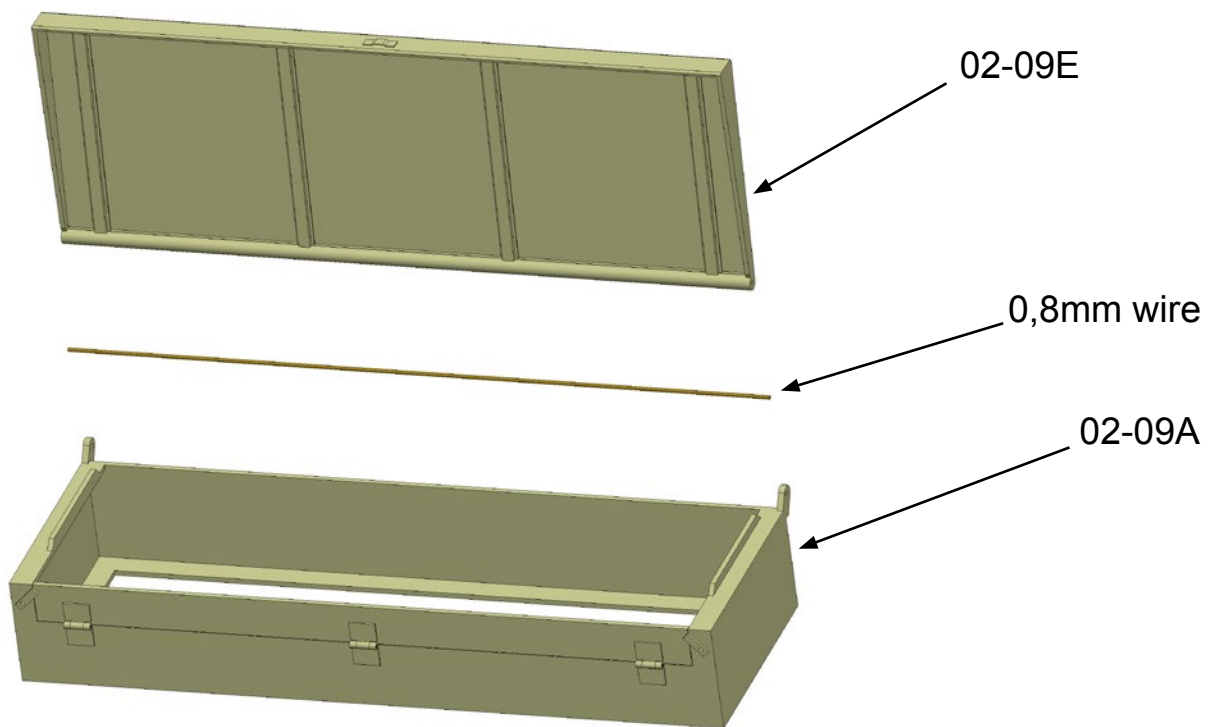
Create a door with hinges from parts 02-09C and 02-09D.
You can glue the wire to part 02-09D to prevent it from falling out.

2x



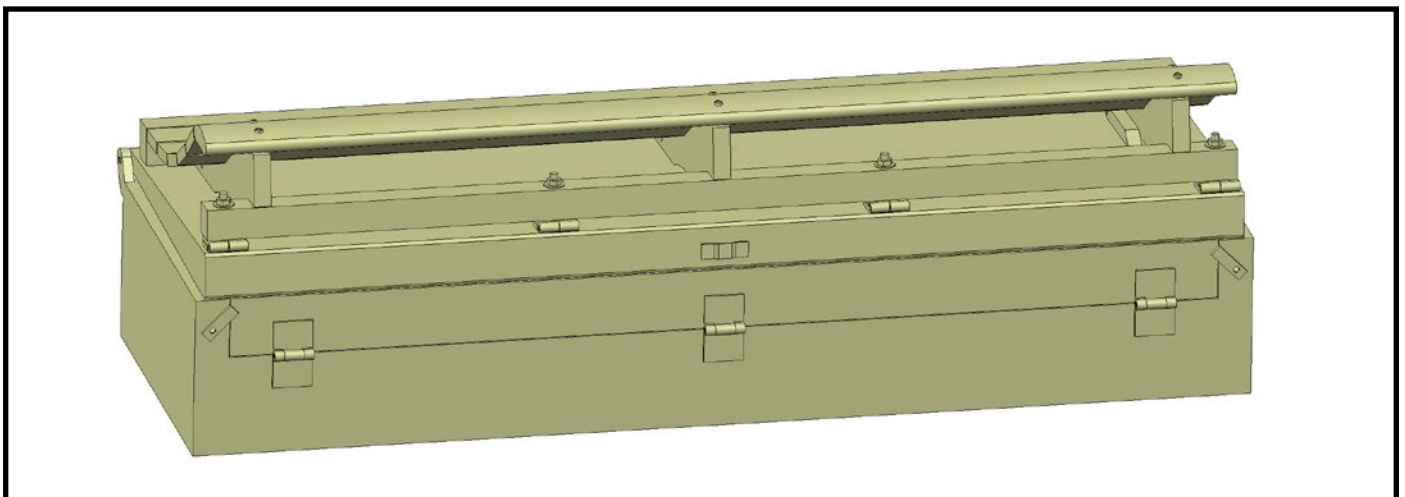
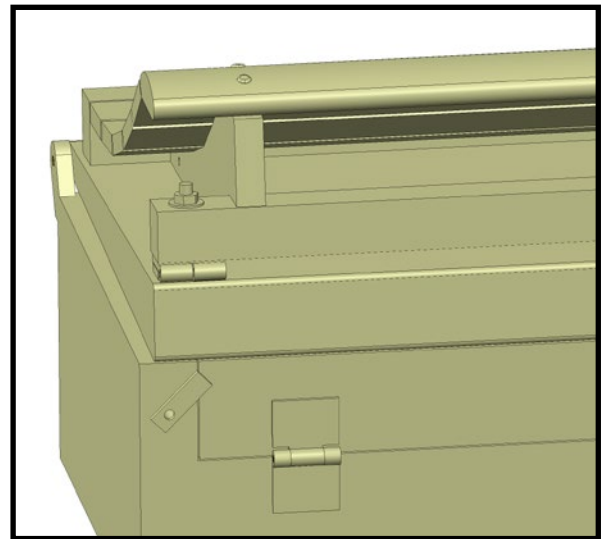
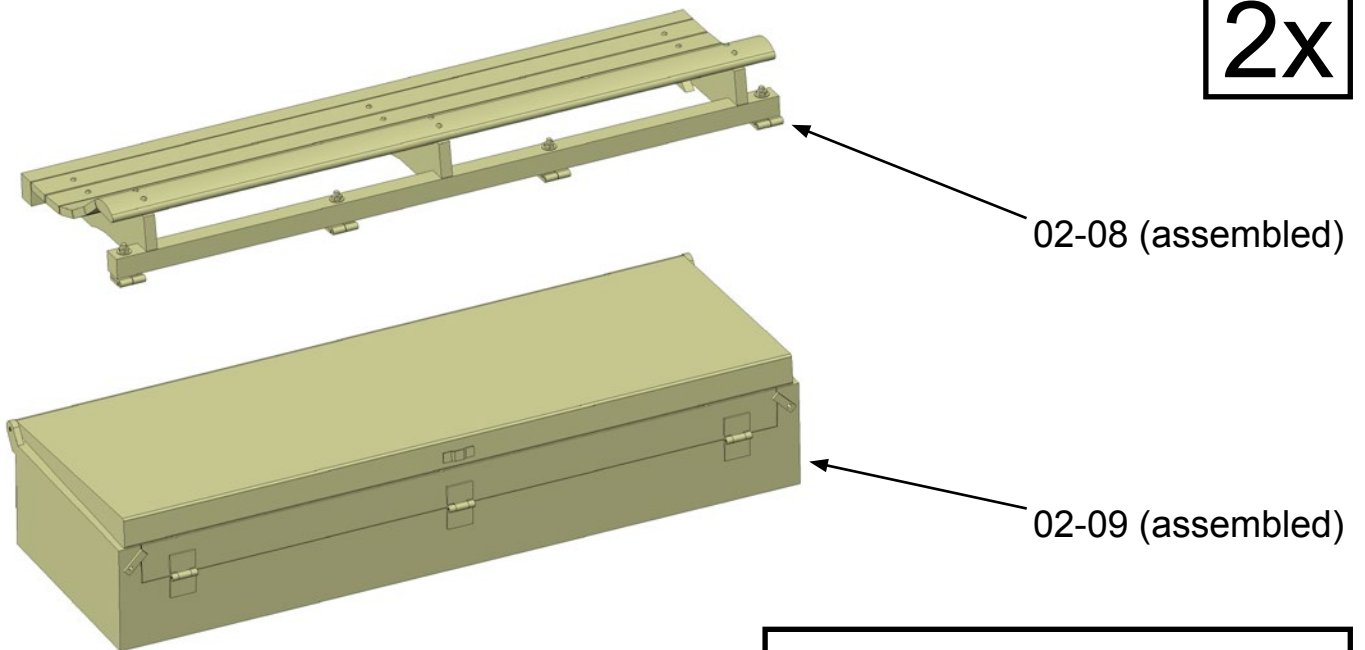
Glue part 02-09C to part 02-09A.

2x

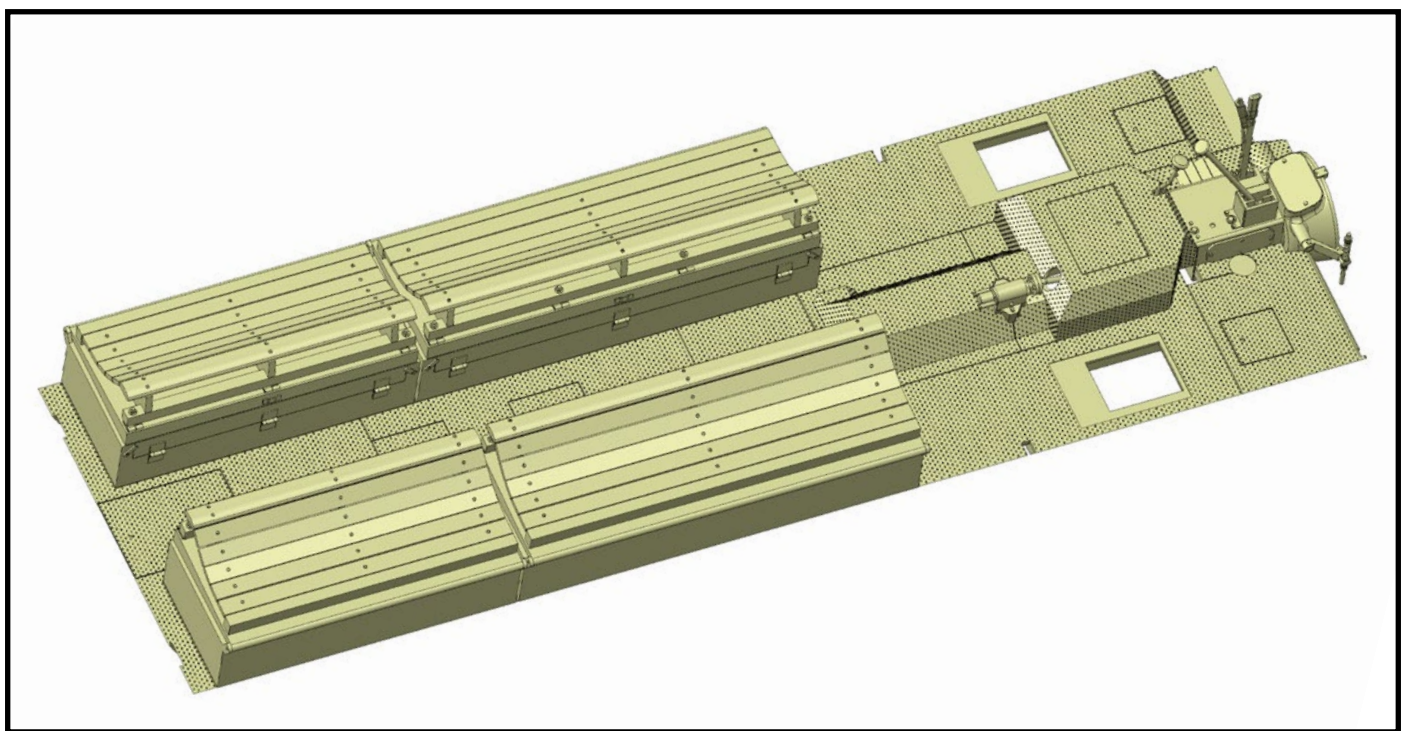
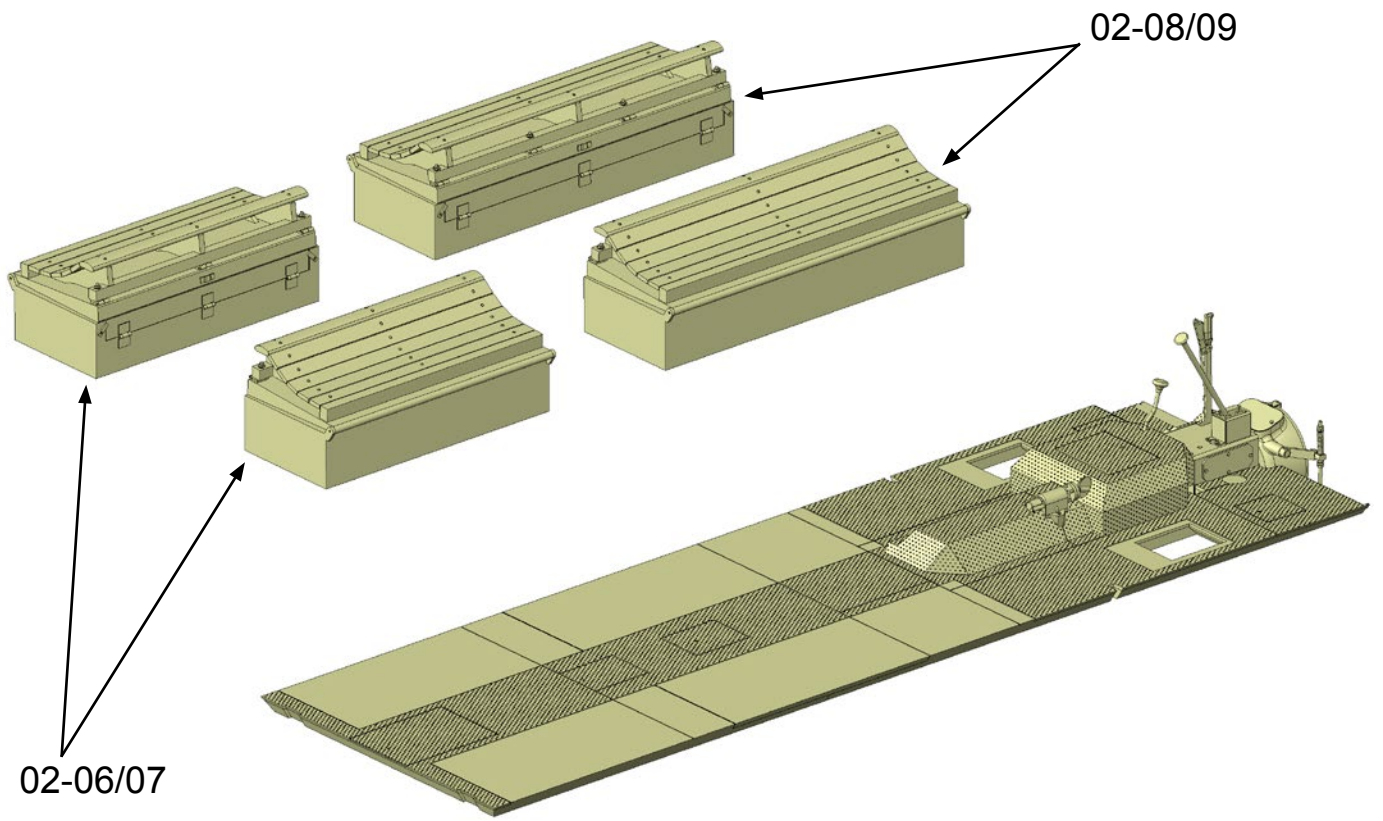


Install part 02-09E using a wire with a diameter of 0.8 mm.
Glue part 02-09A to the wire. **Paint the parts.**

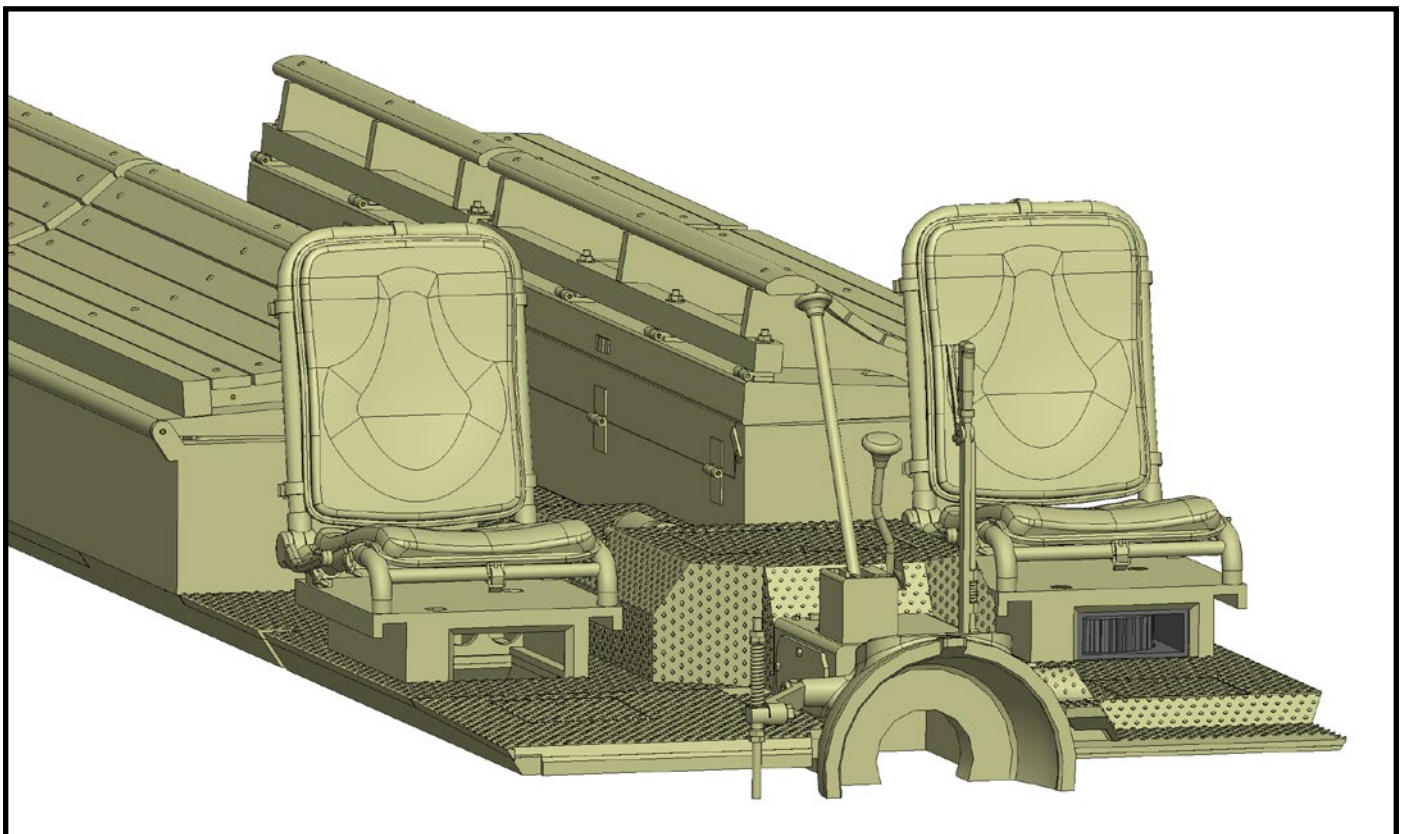
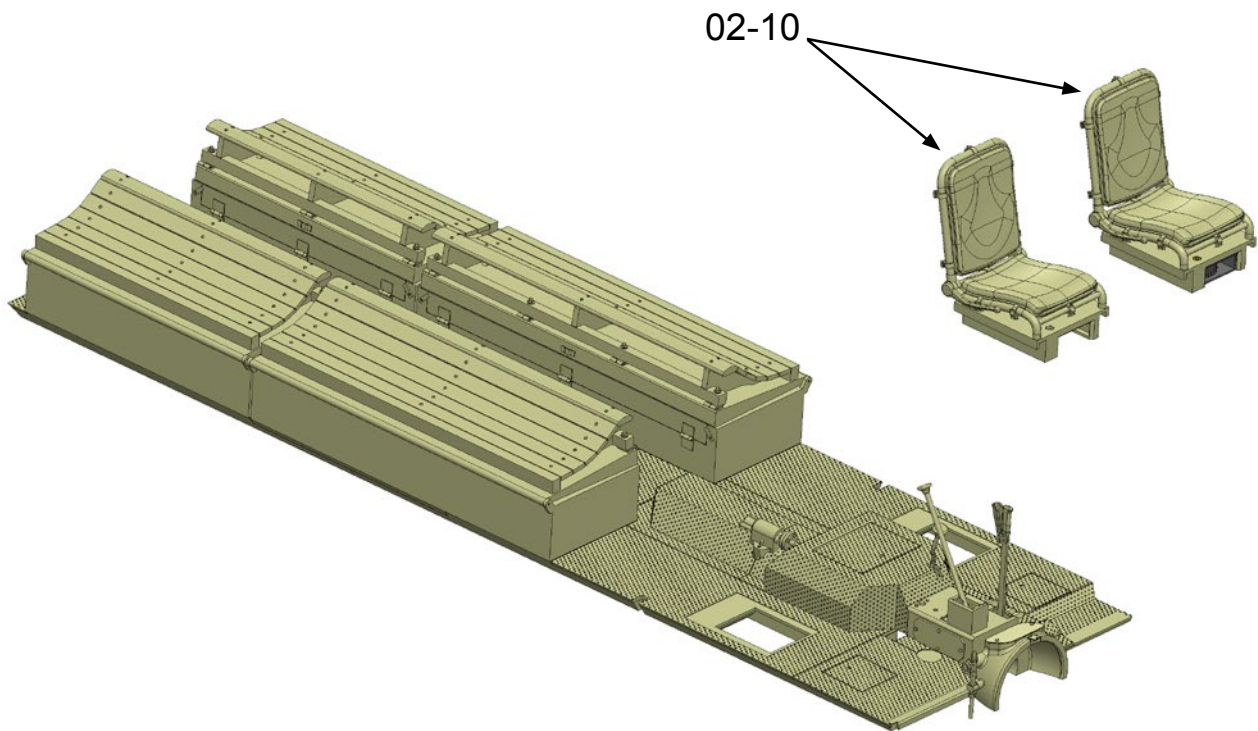
2x



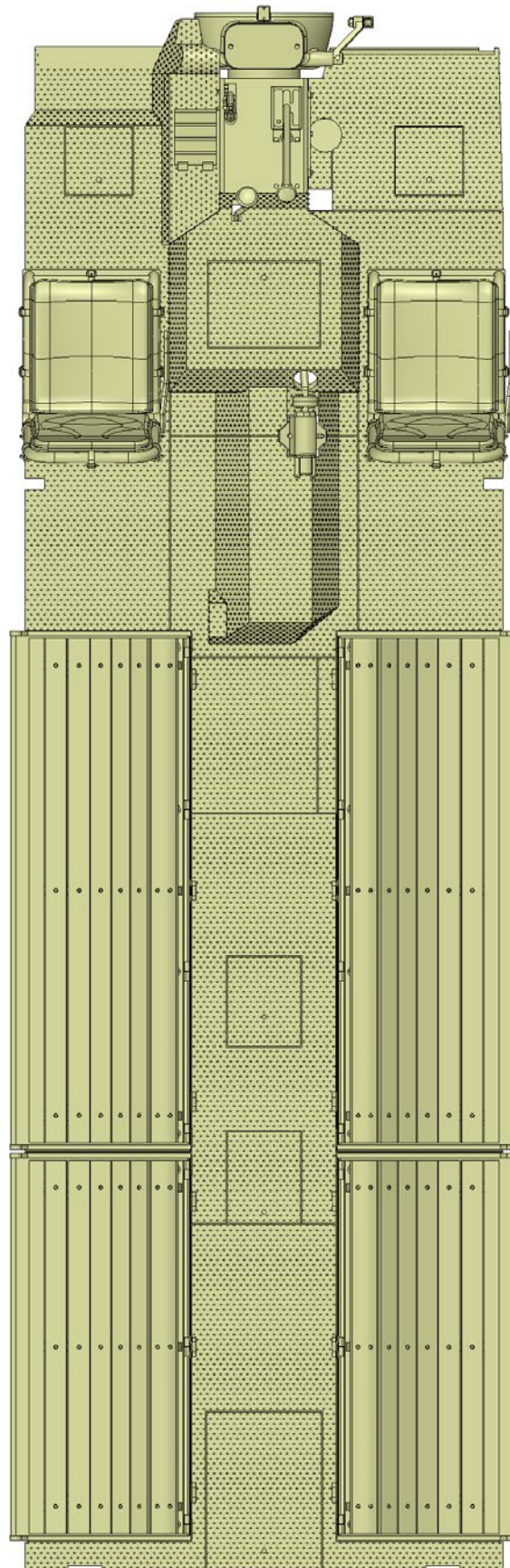
Glue both parts together. Part 02-06G/H should be glued to part 02-07E.



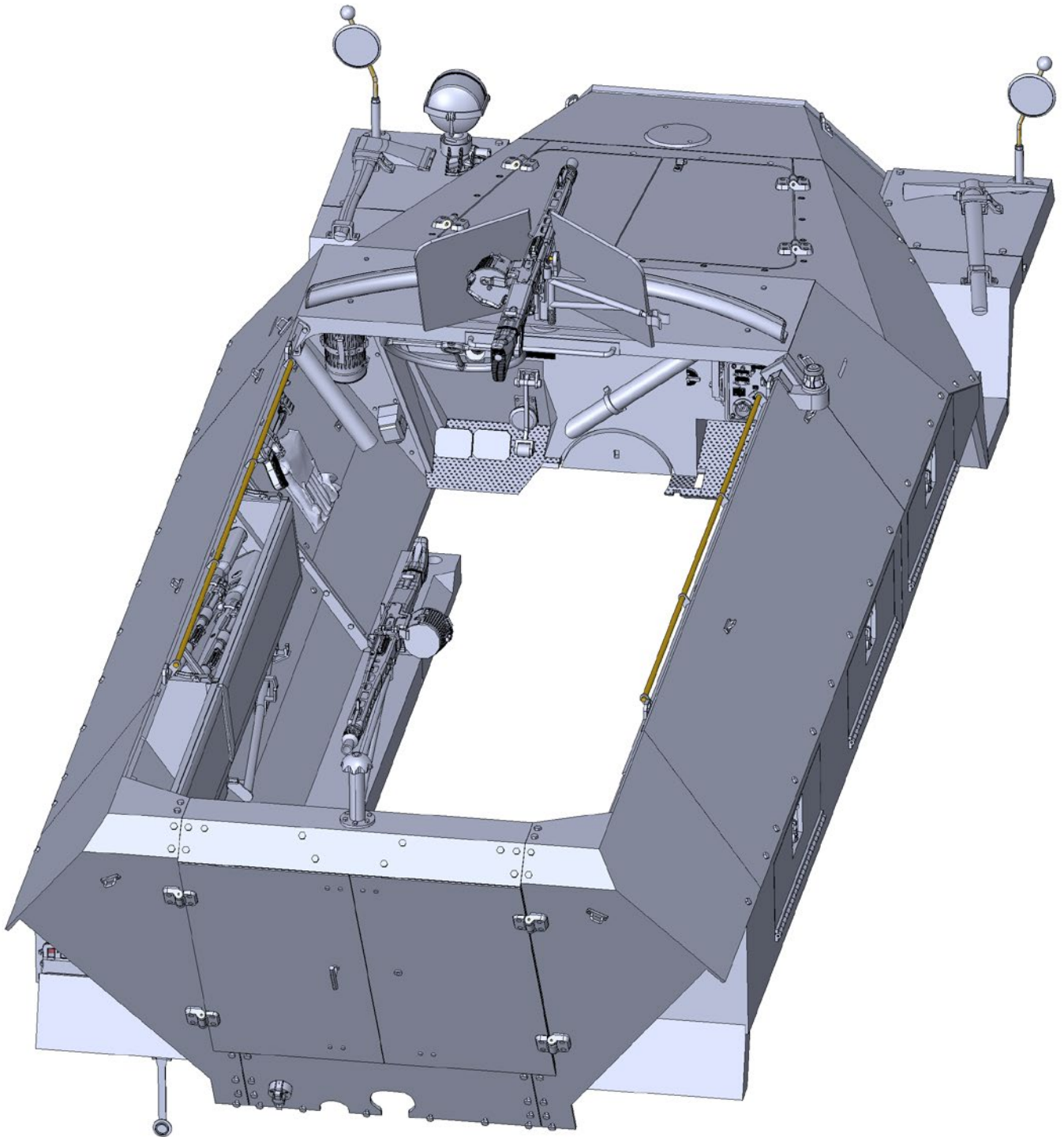
Glue parts 02-07 and 02-09 to parts 02-01.

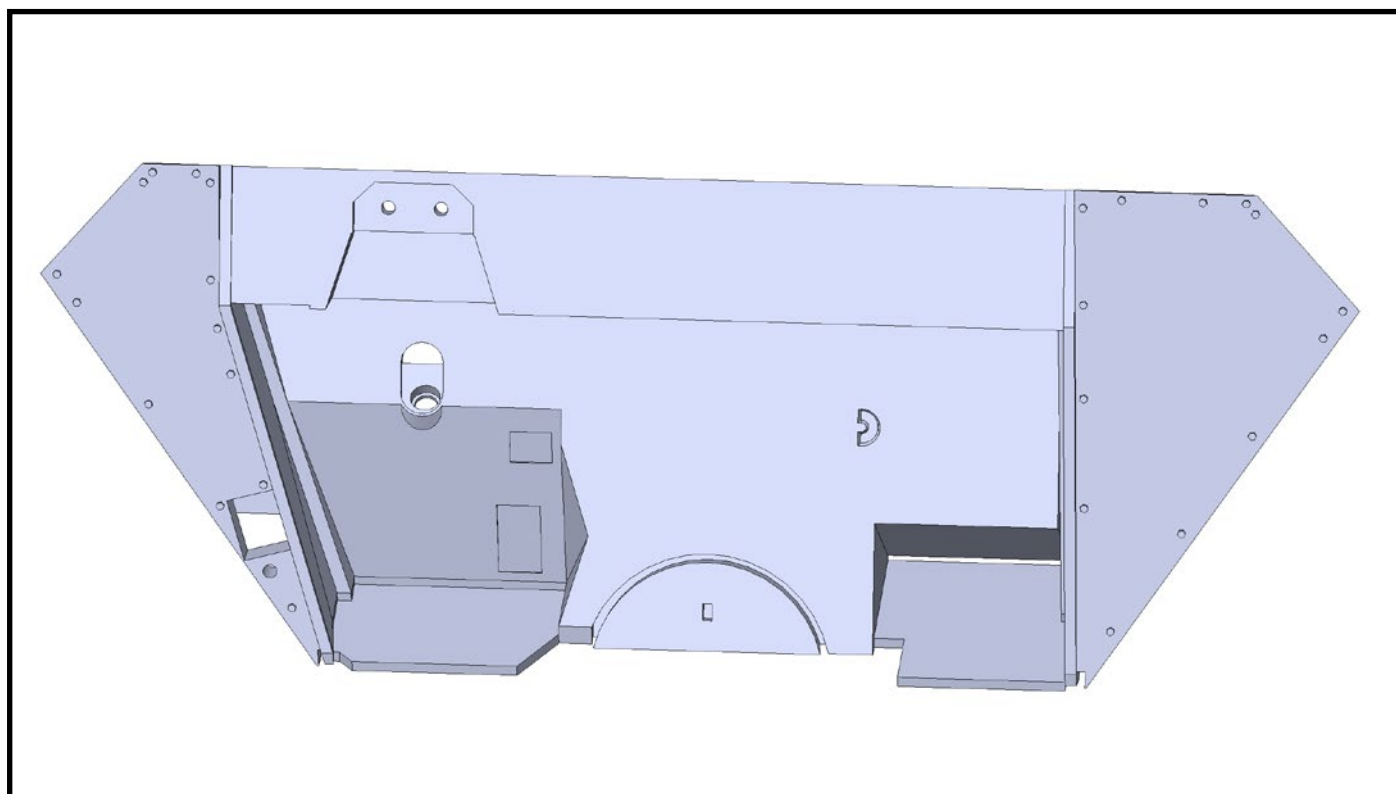
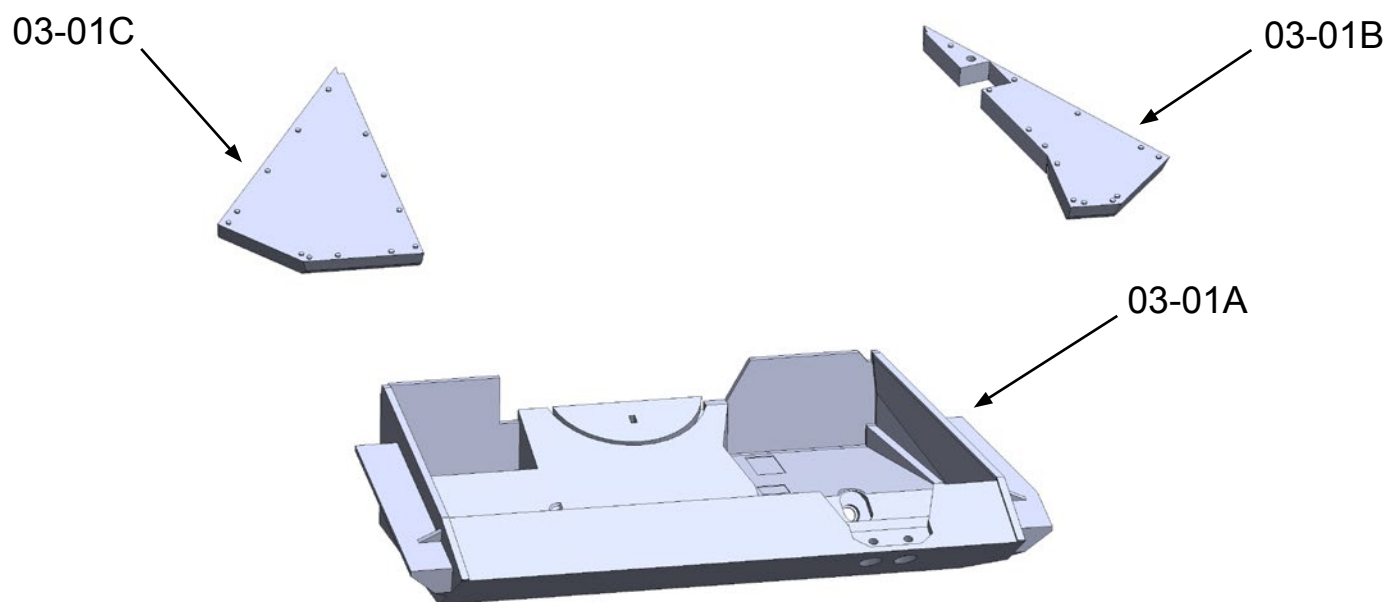


Glue parts 02-10 to parts 02-02.

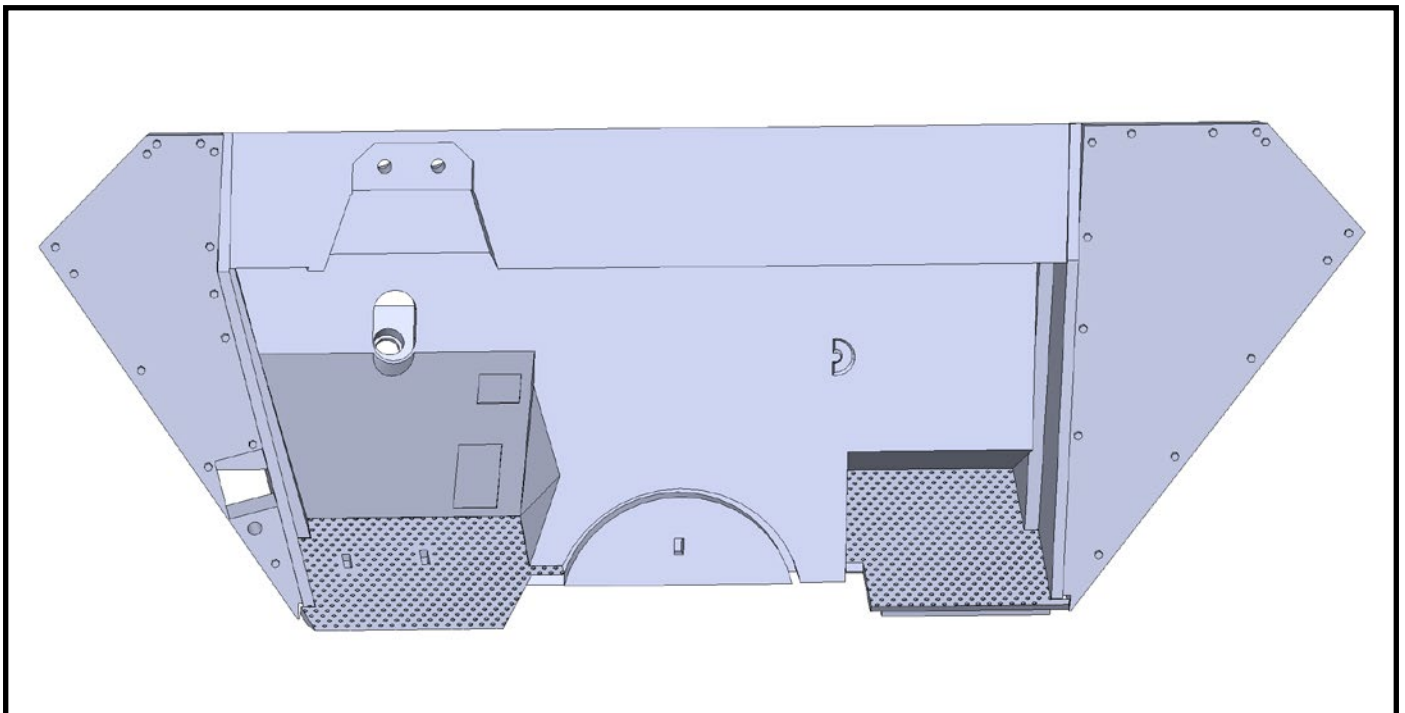
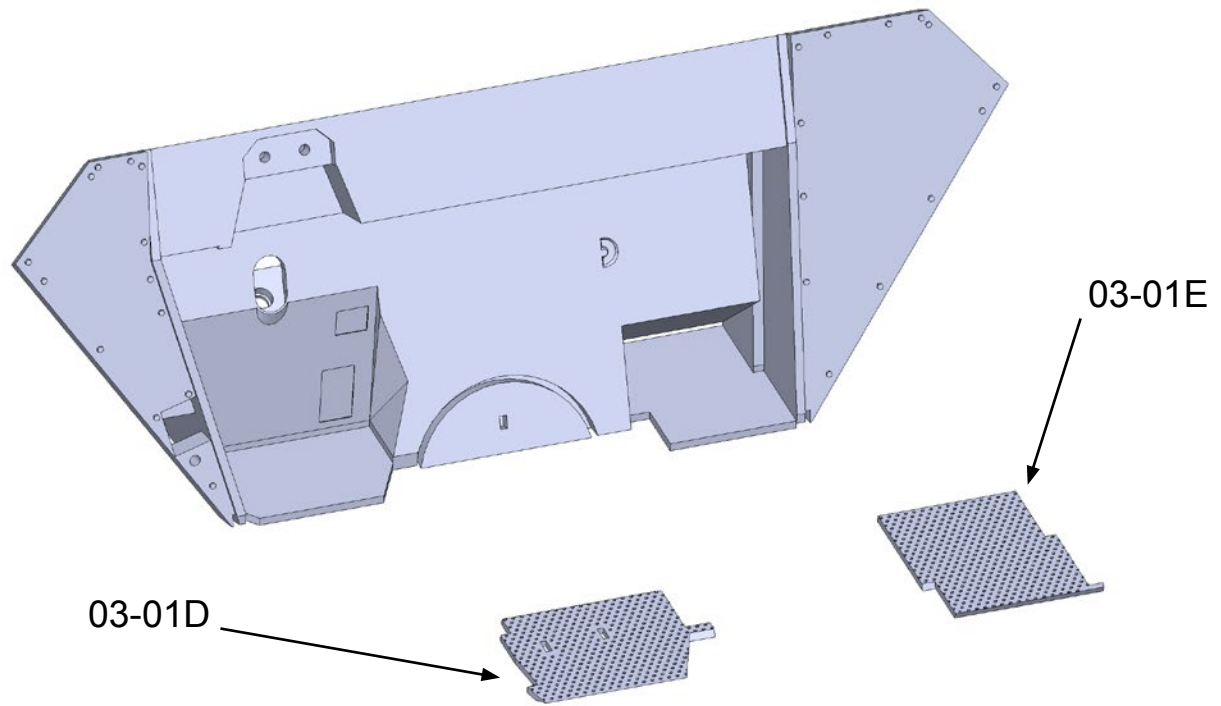


Auxiliary view for installation of parts.

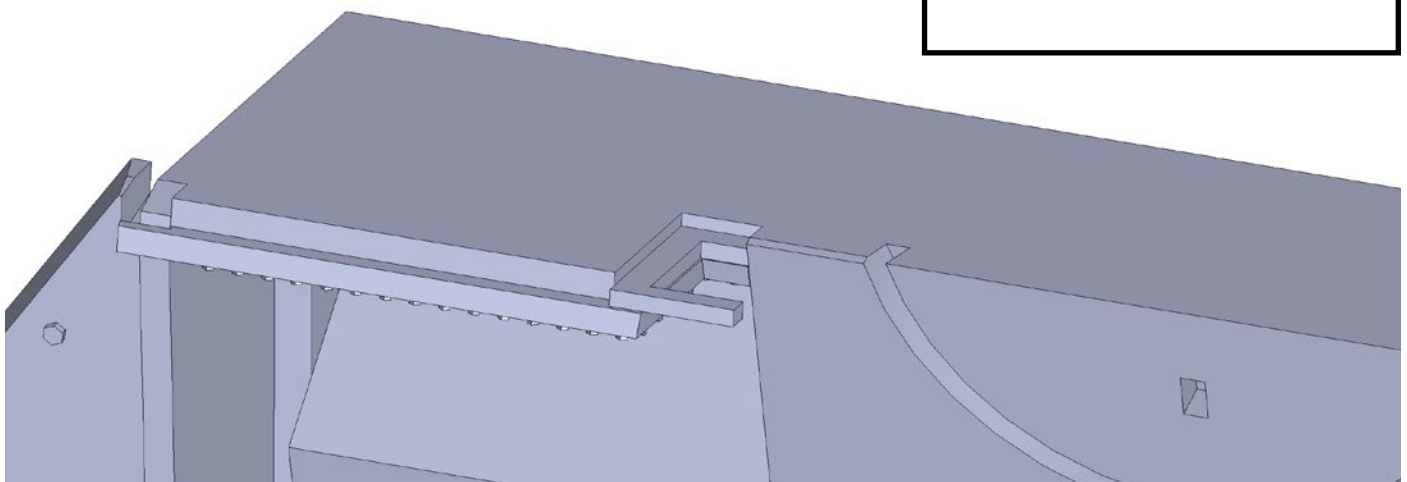
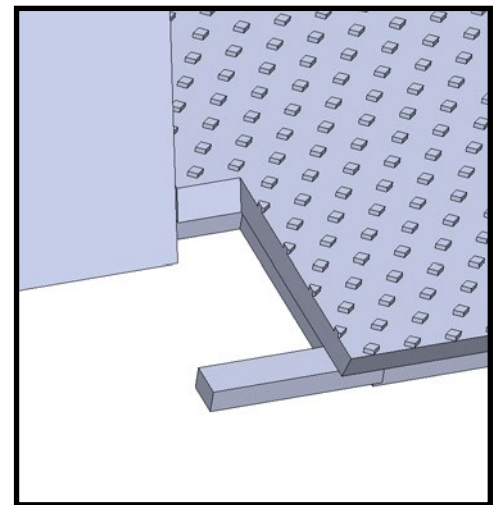
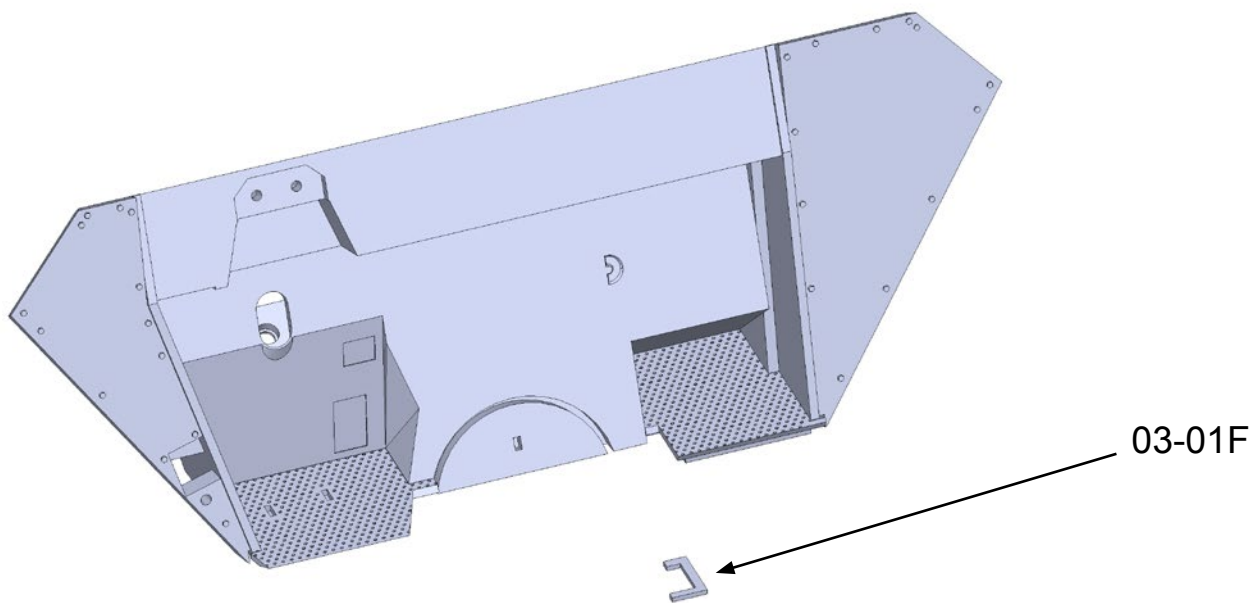




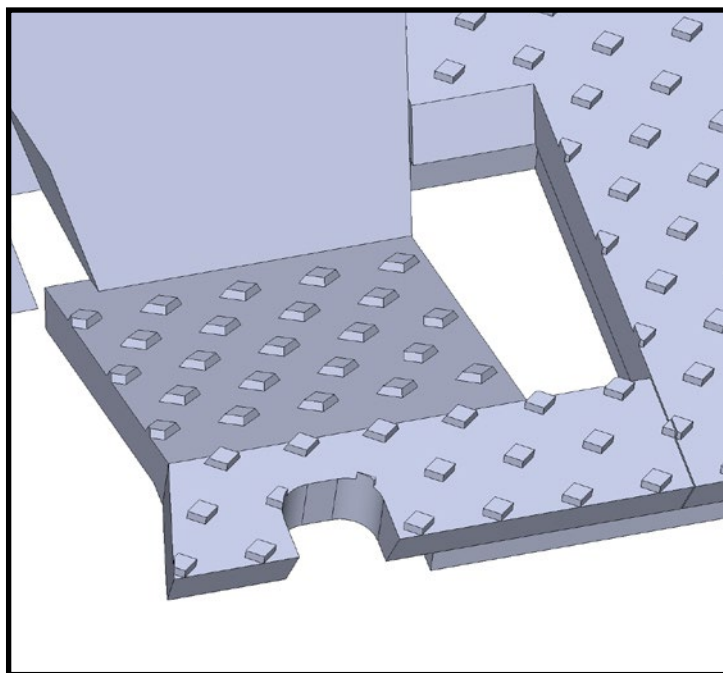
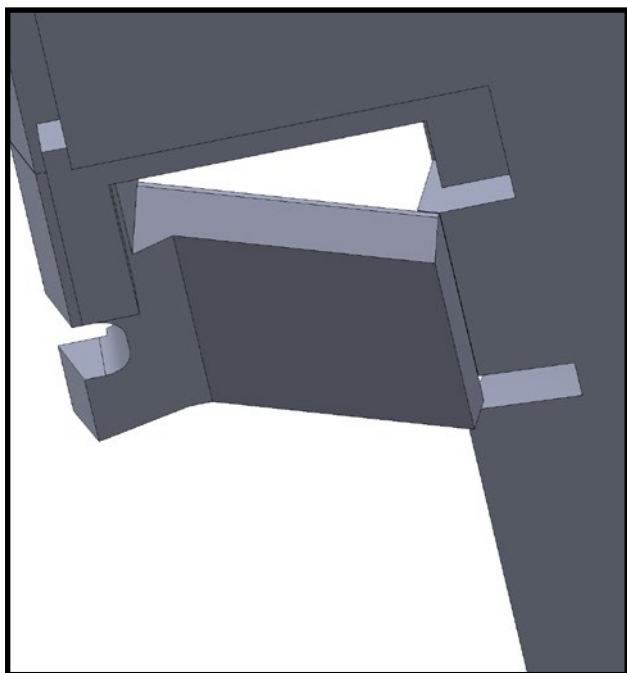
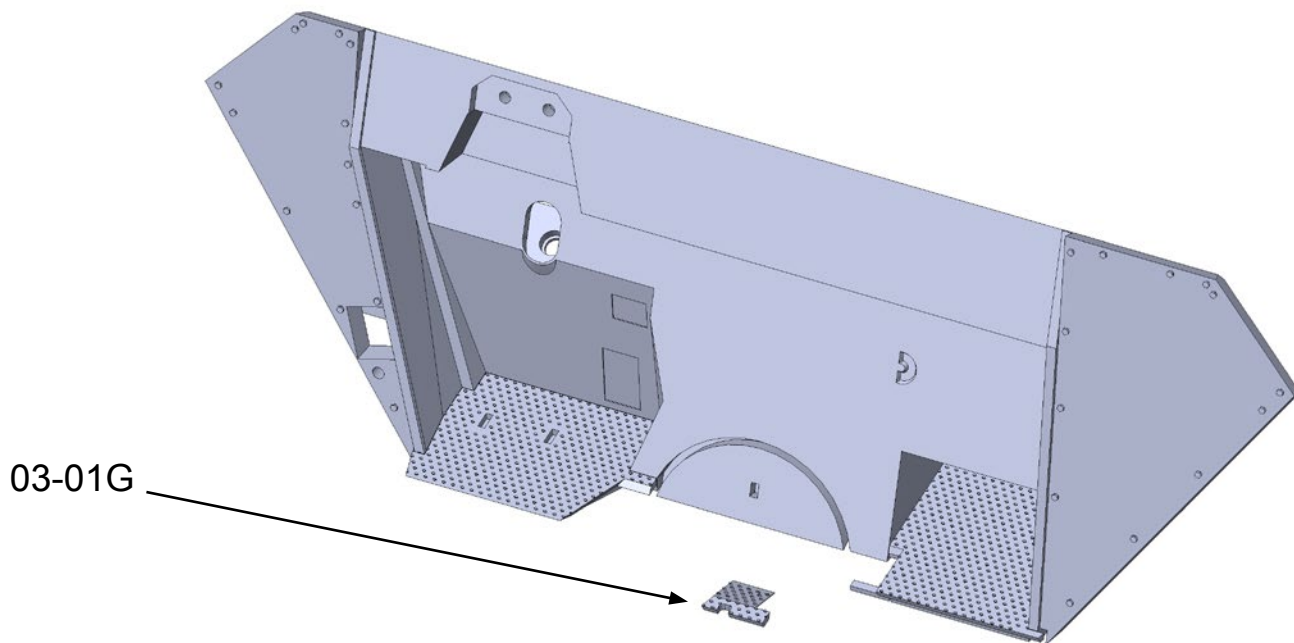
Glue parts 03-01B and 03-01C to part 03-01A.



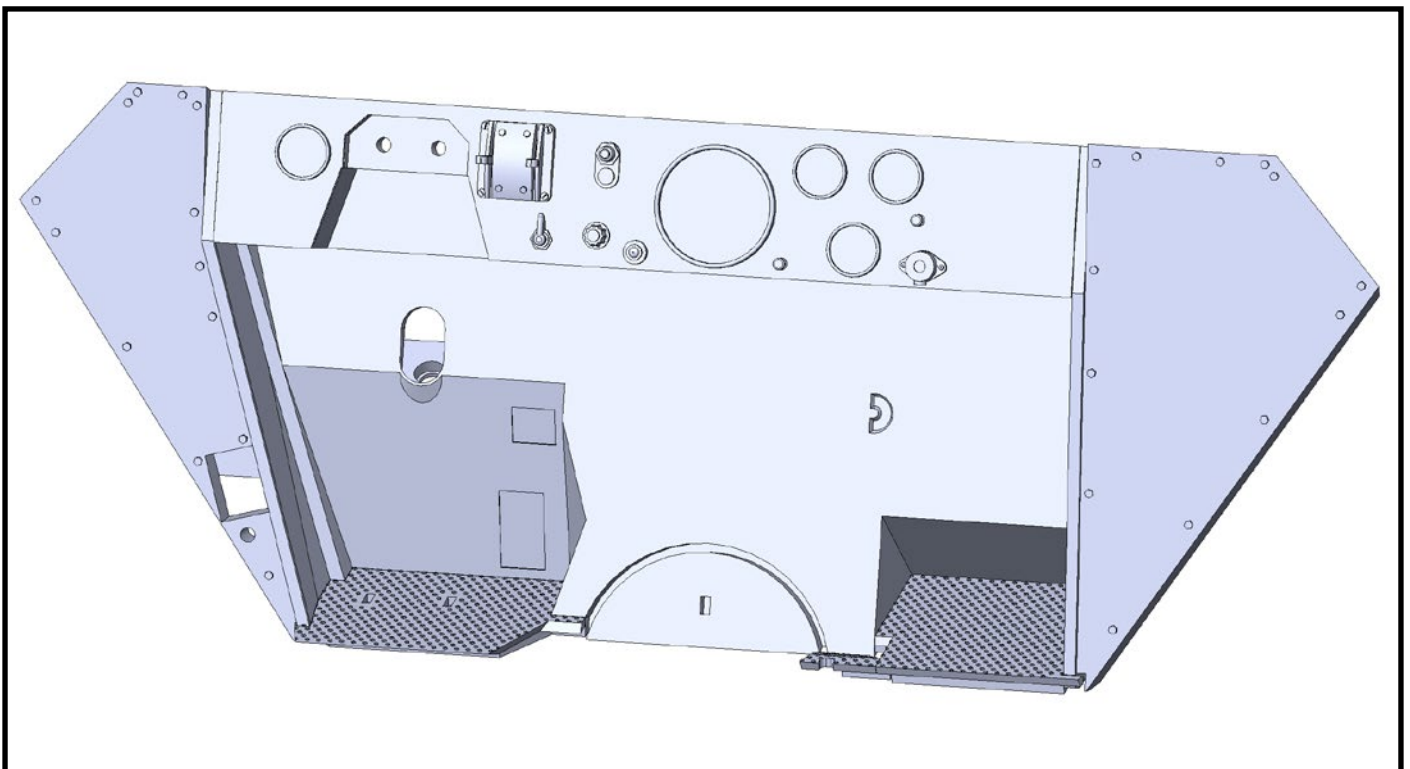
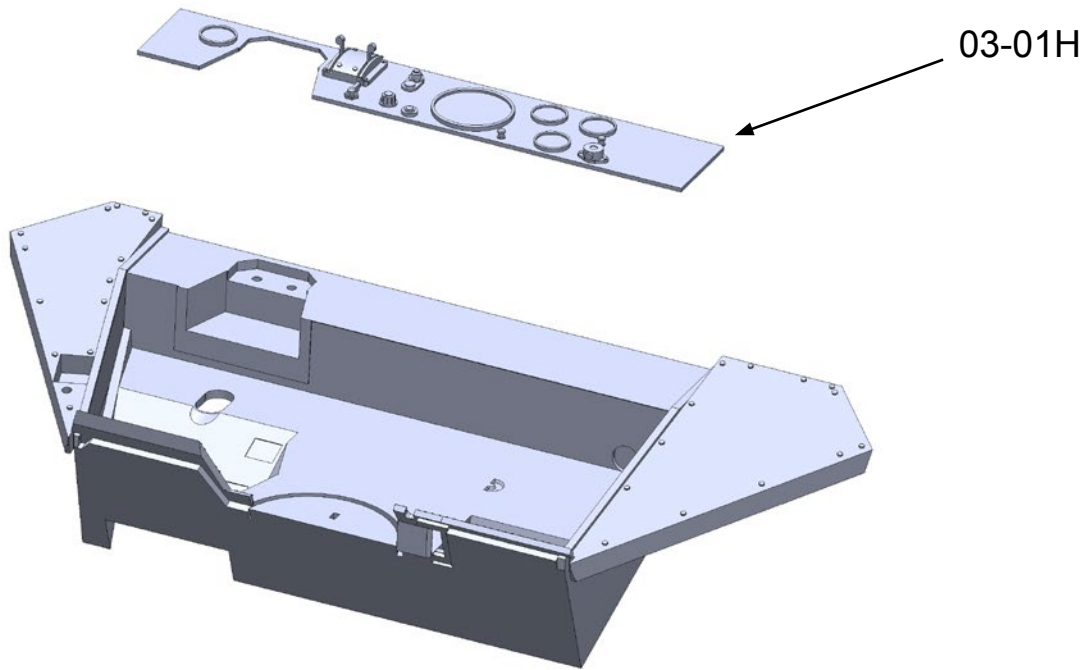
Glue parts 03-01D and 03-01E to part 03-01A.



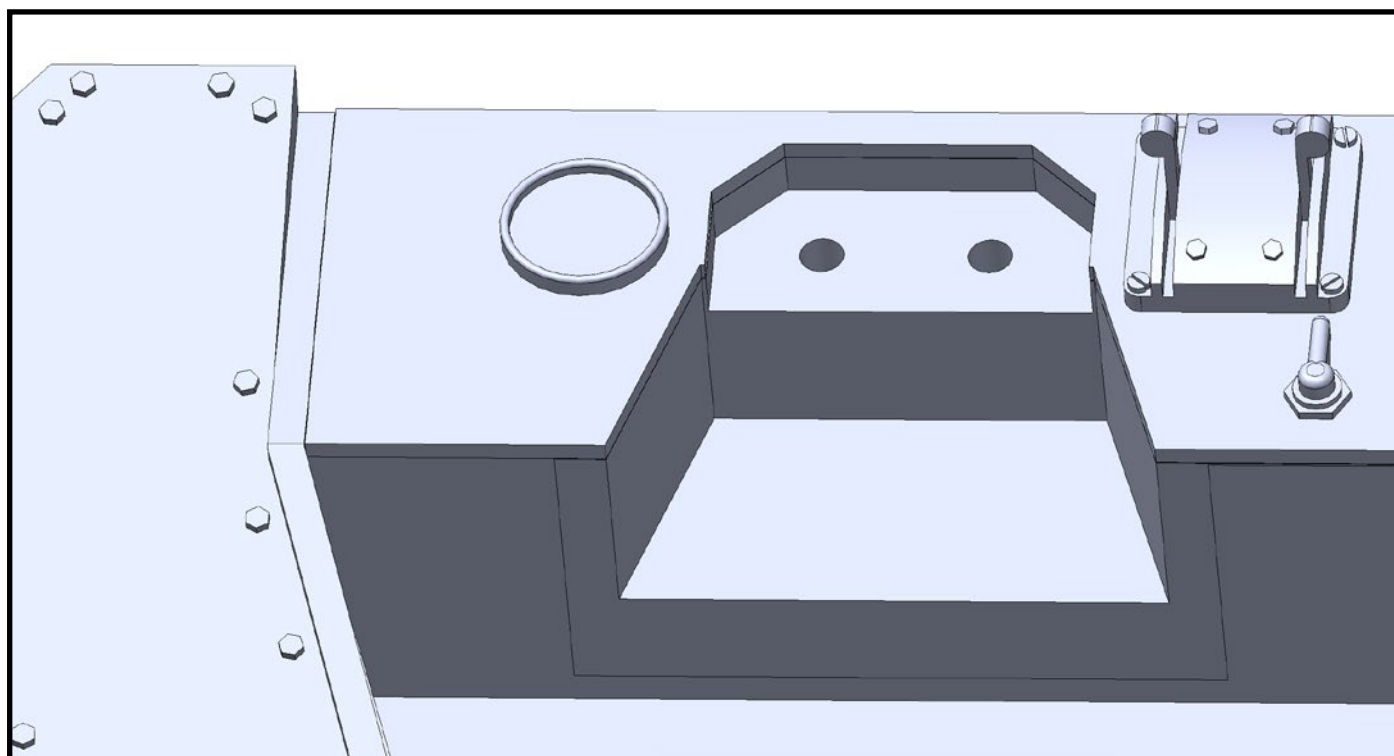
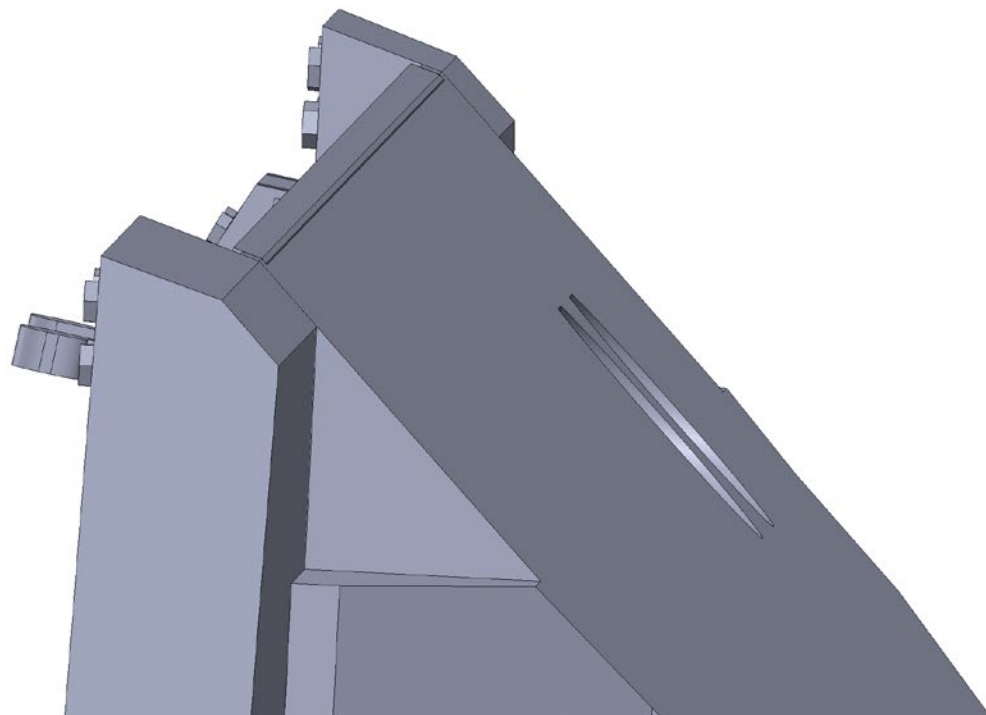
Glue the small part 03-01F to the bottom of part 03-01E.
Ensure correct orientation.



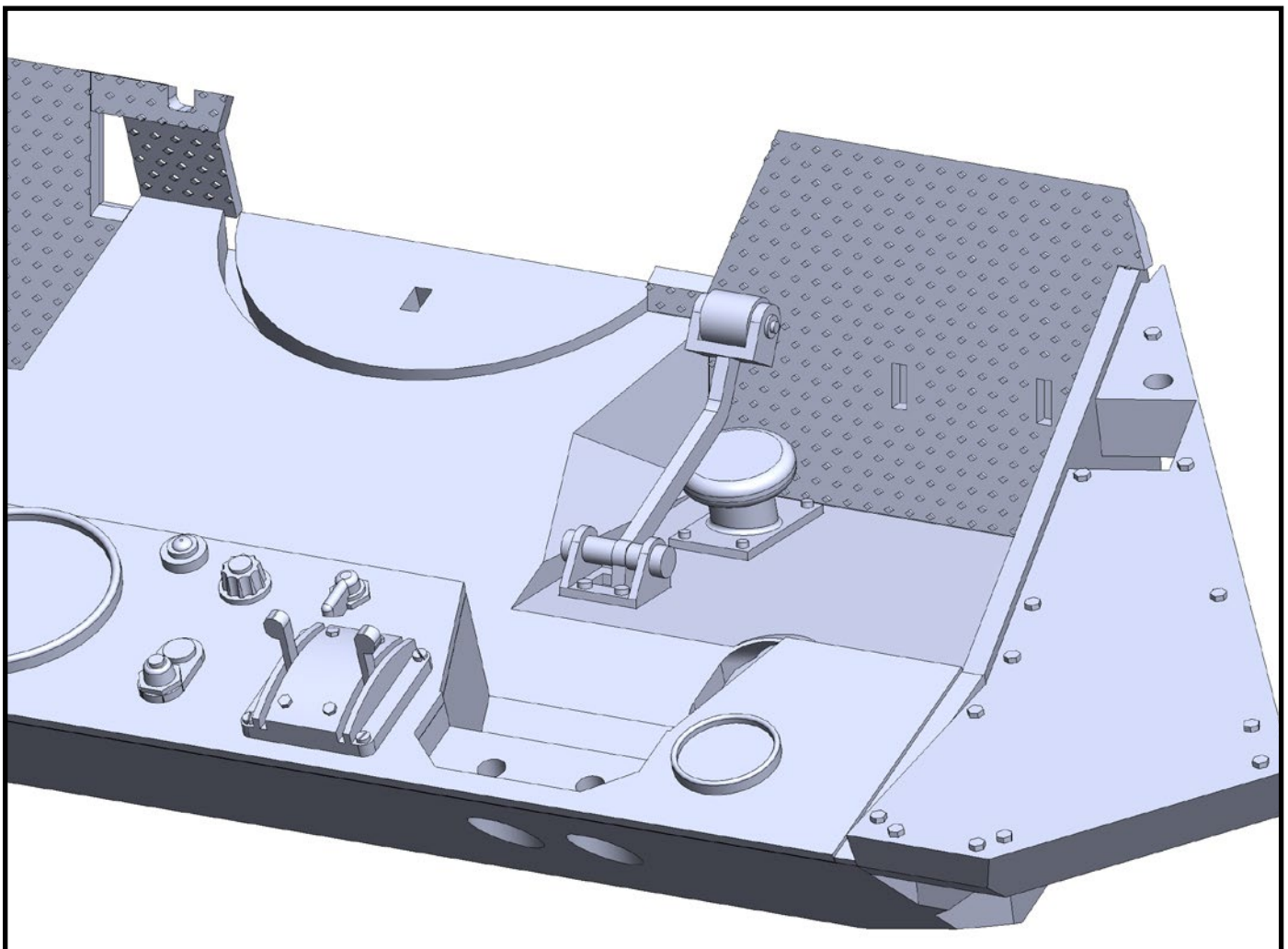
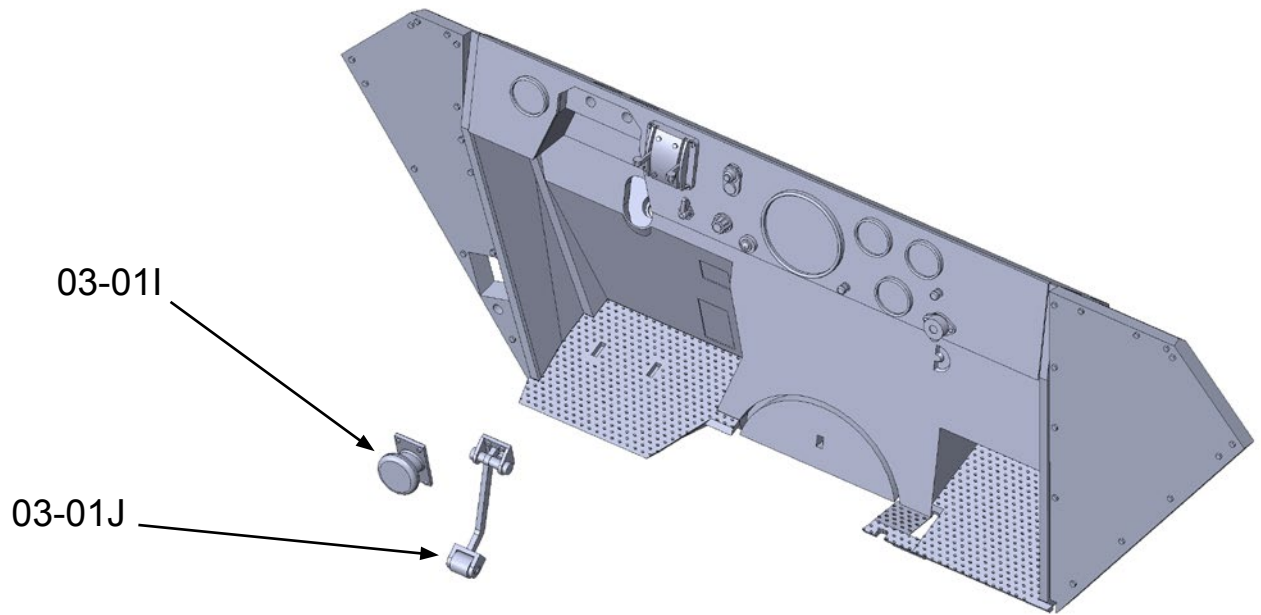
Glue part 03-01G to parts 03-01A and 03-01F.
Ensure correct orientation.



Glue part 03-01H to part 03-01A.

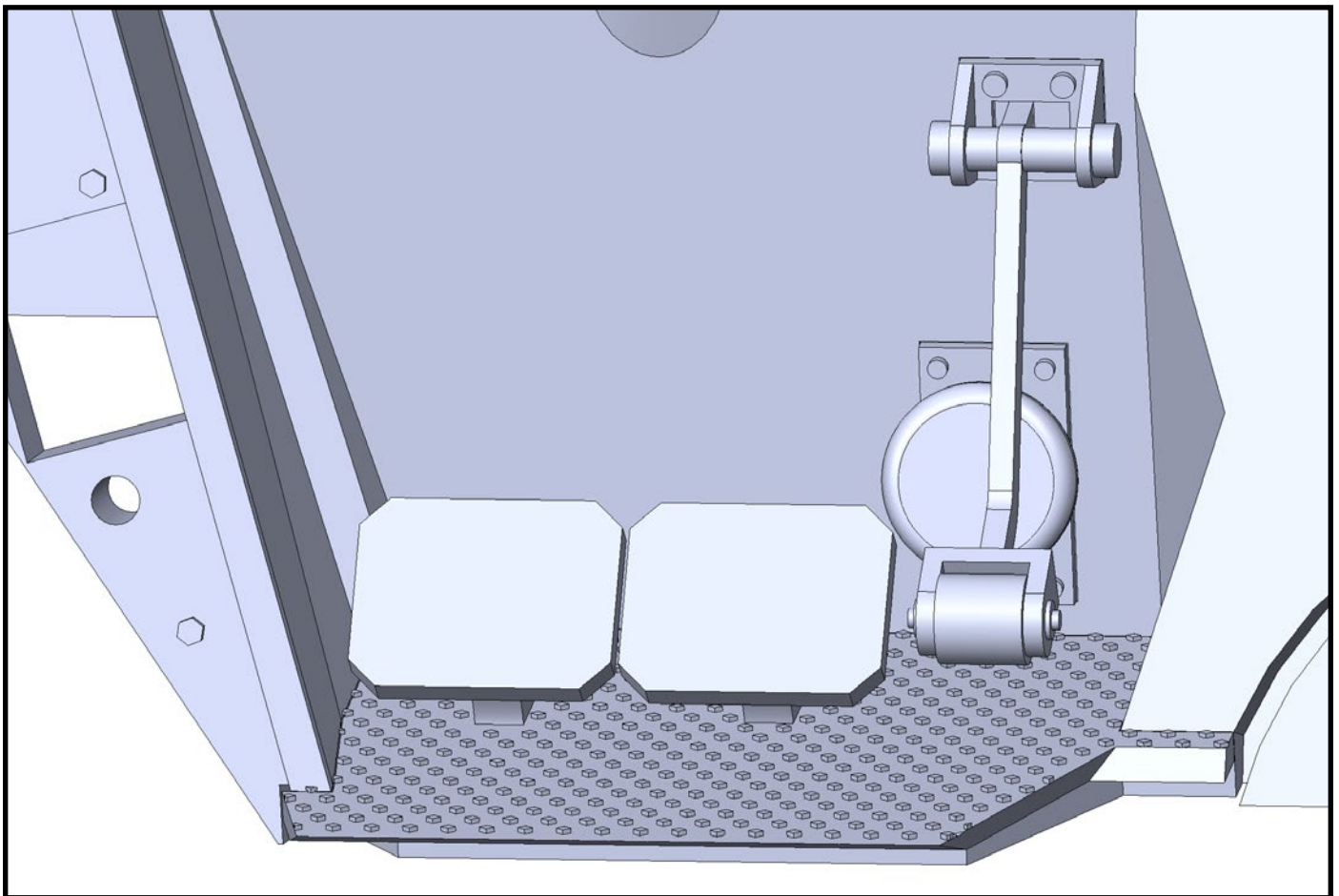
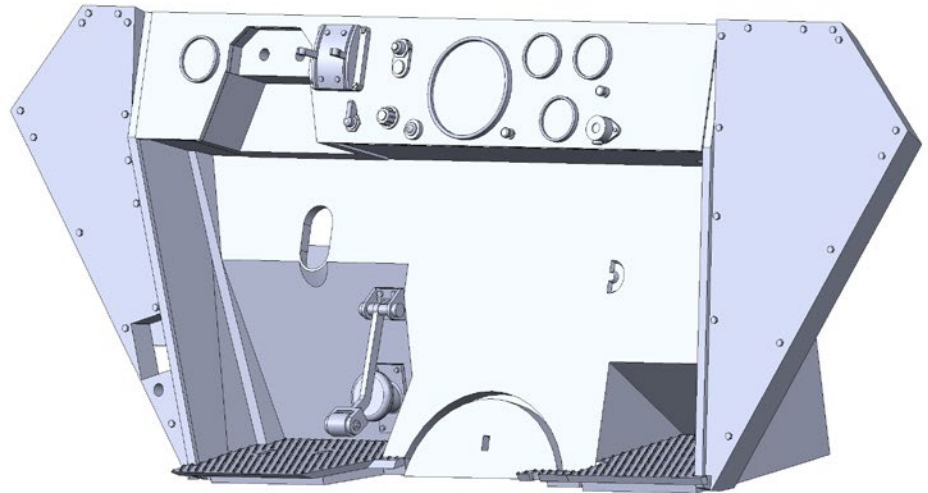
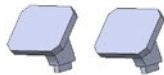


Auxiliary views for installation of part 03-01H.
If the edge on the back does not look like the one in the picture above,
sand the edges.

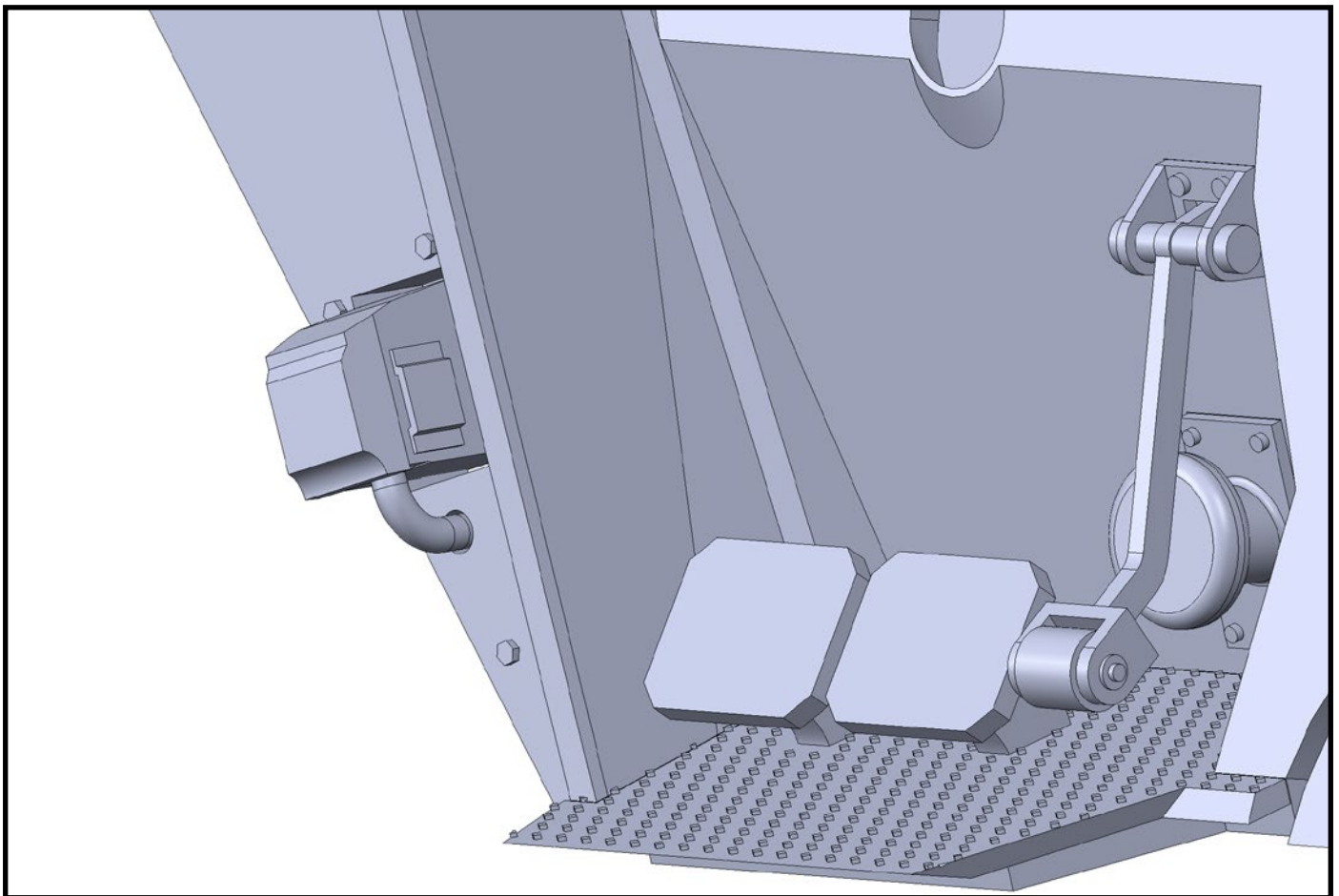
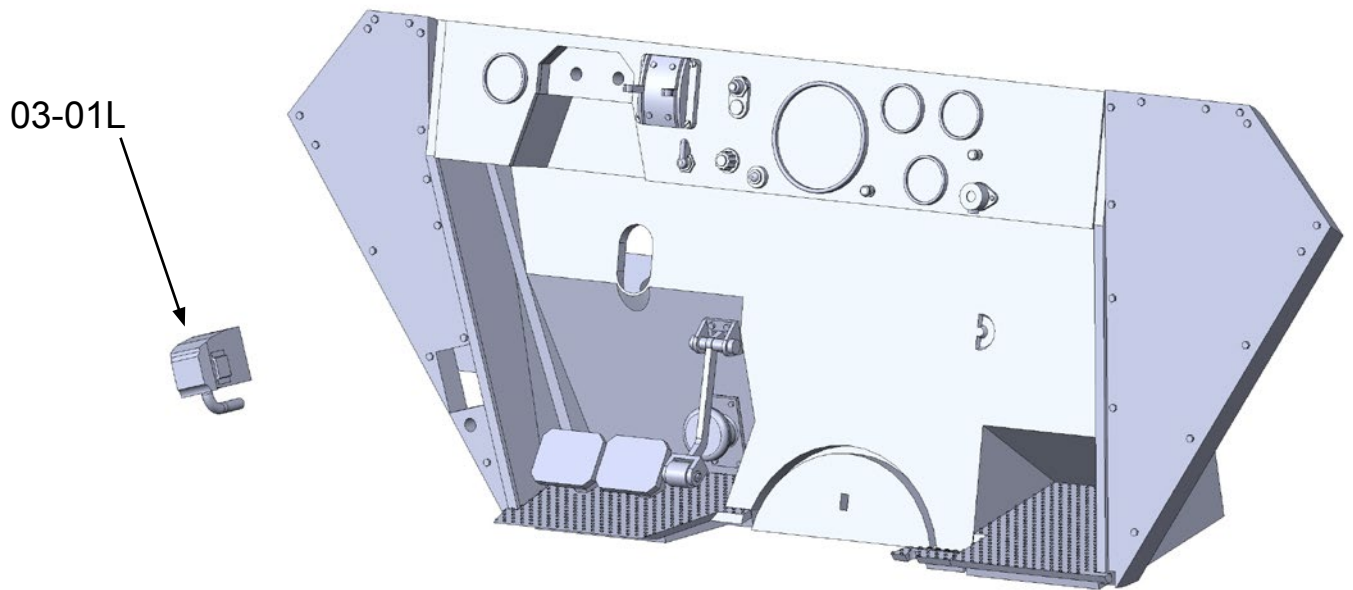


Glue parts 03-01I and 03-01J to part 03-01A.

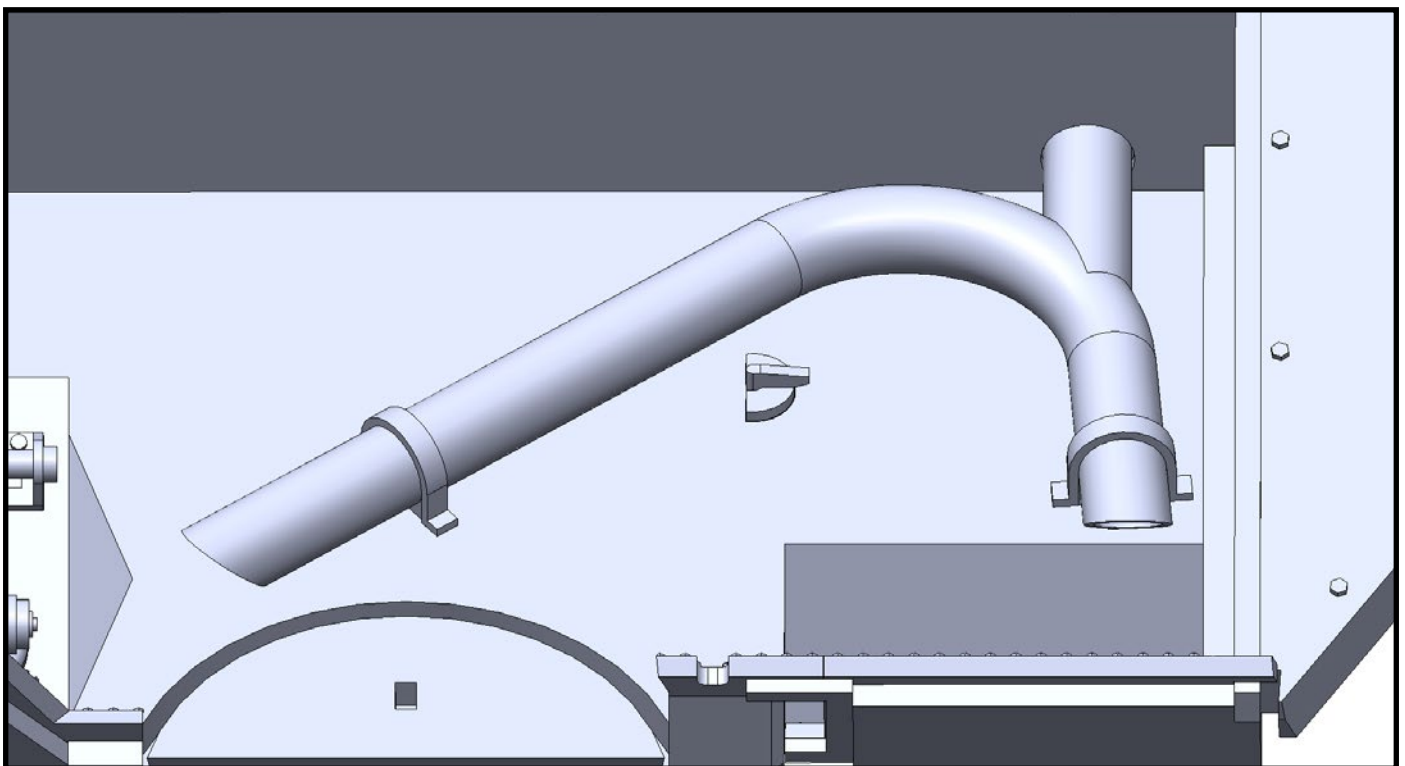
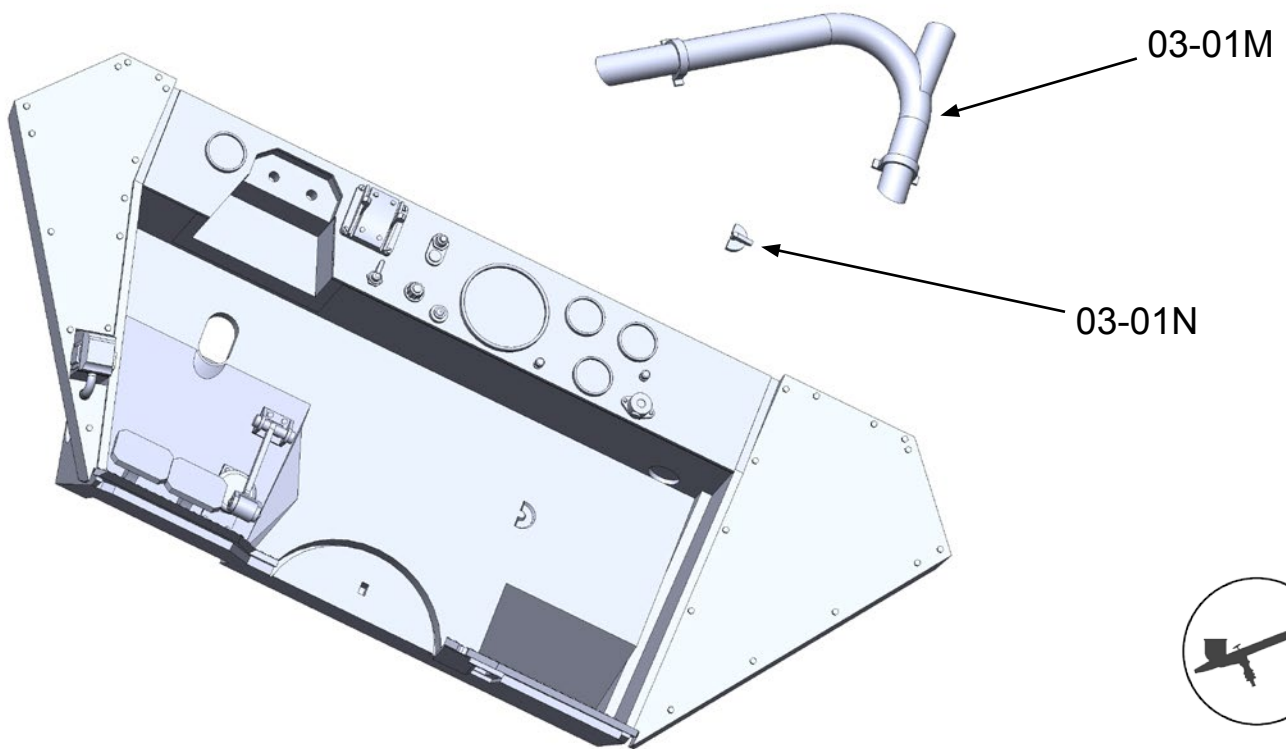
03-01K



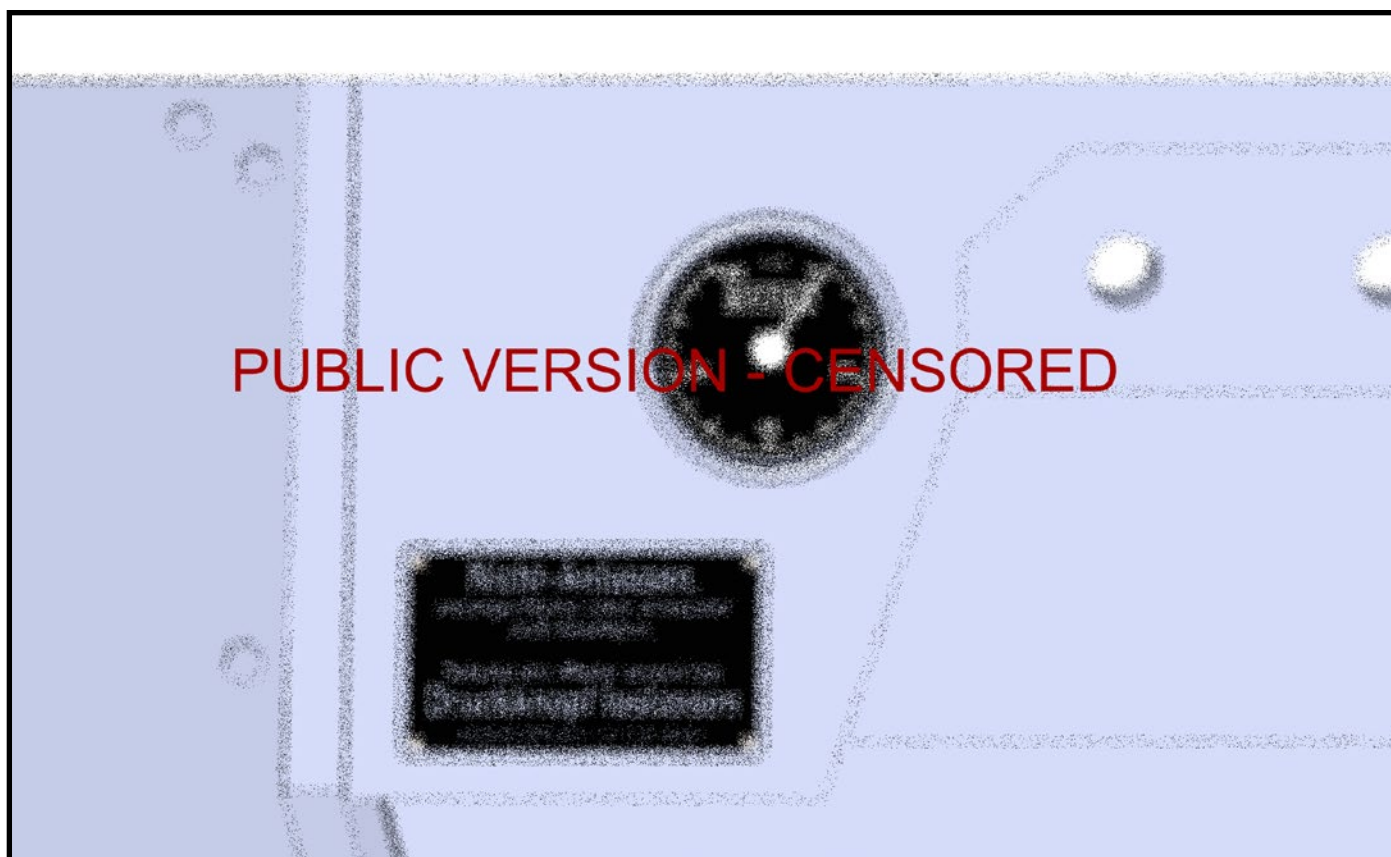
Glue parts 03-01K to part 03-01D.



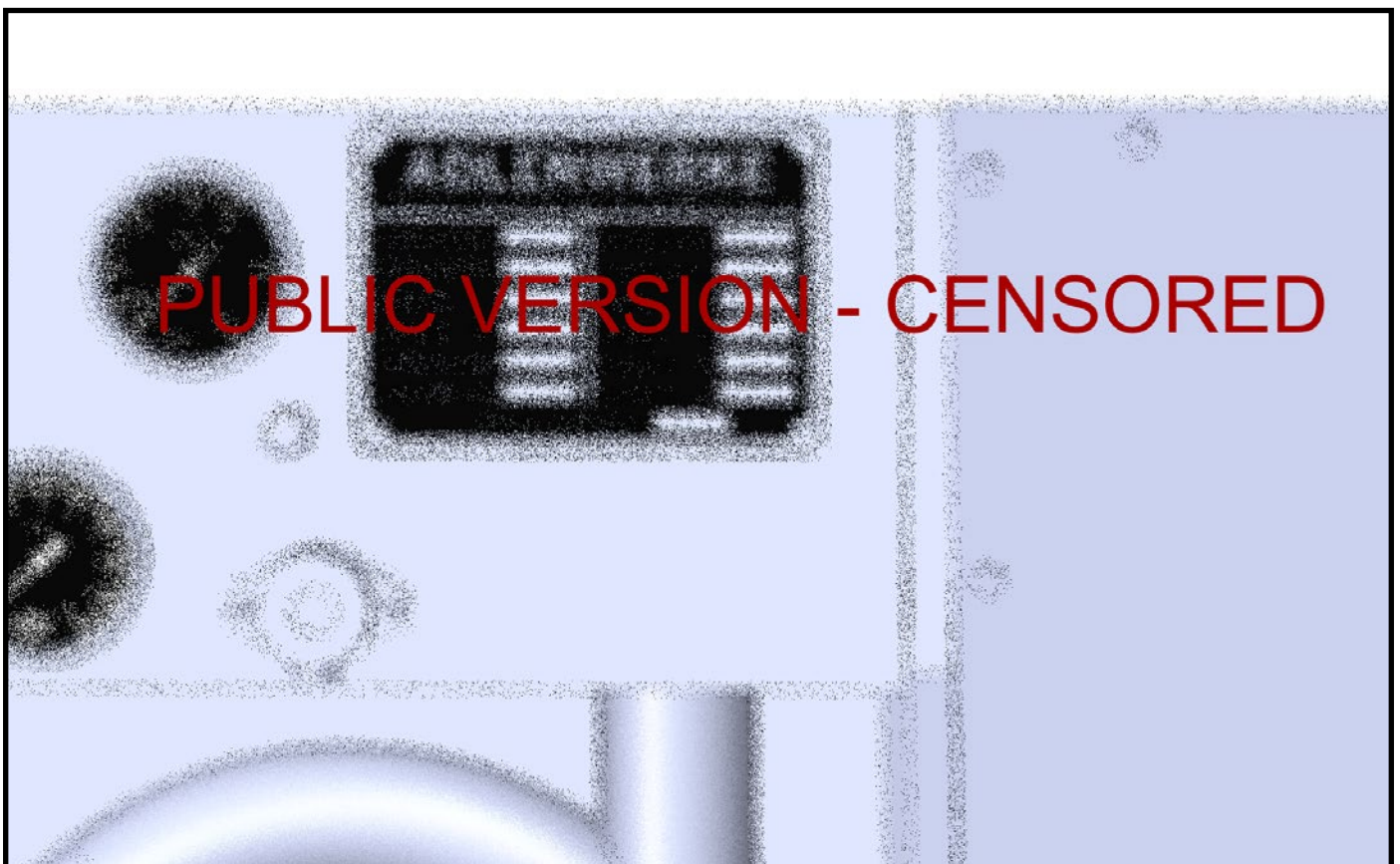
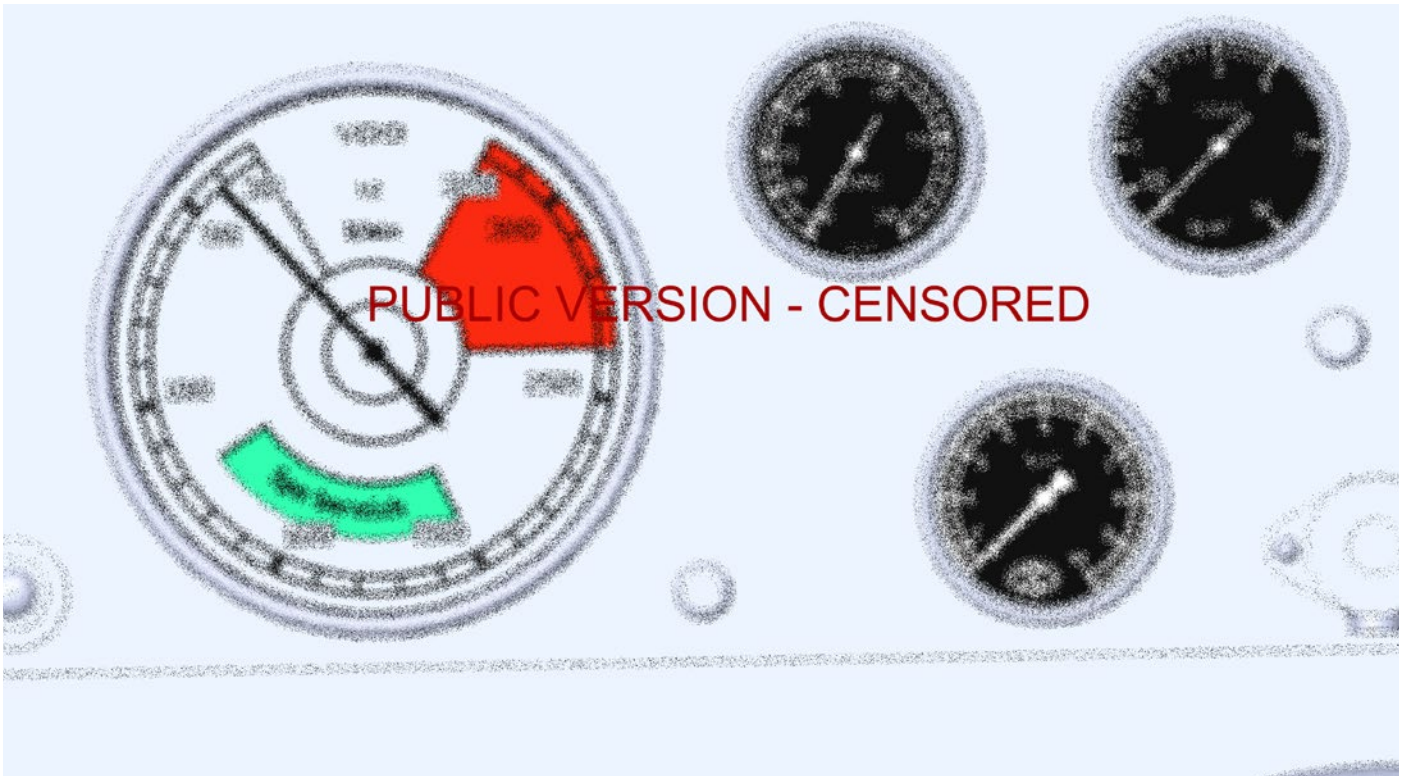
Glue part 03-01L to part 03-01A.



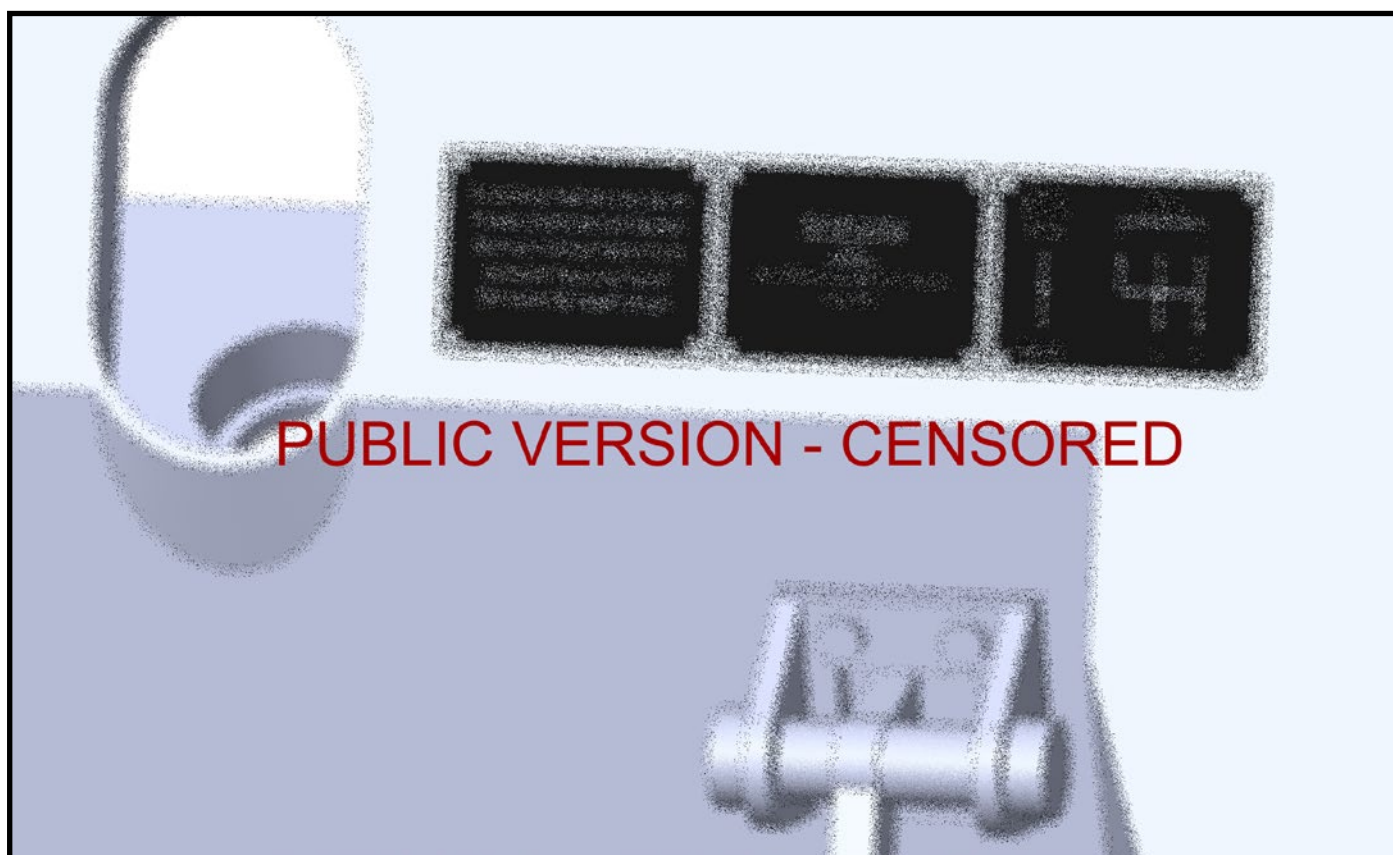
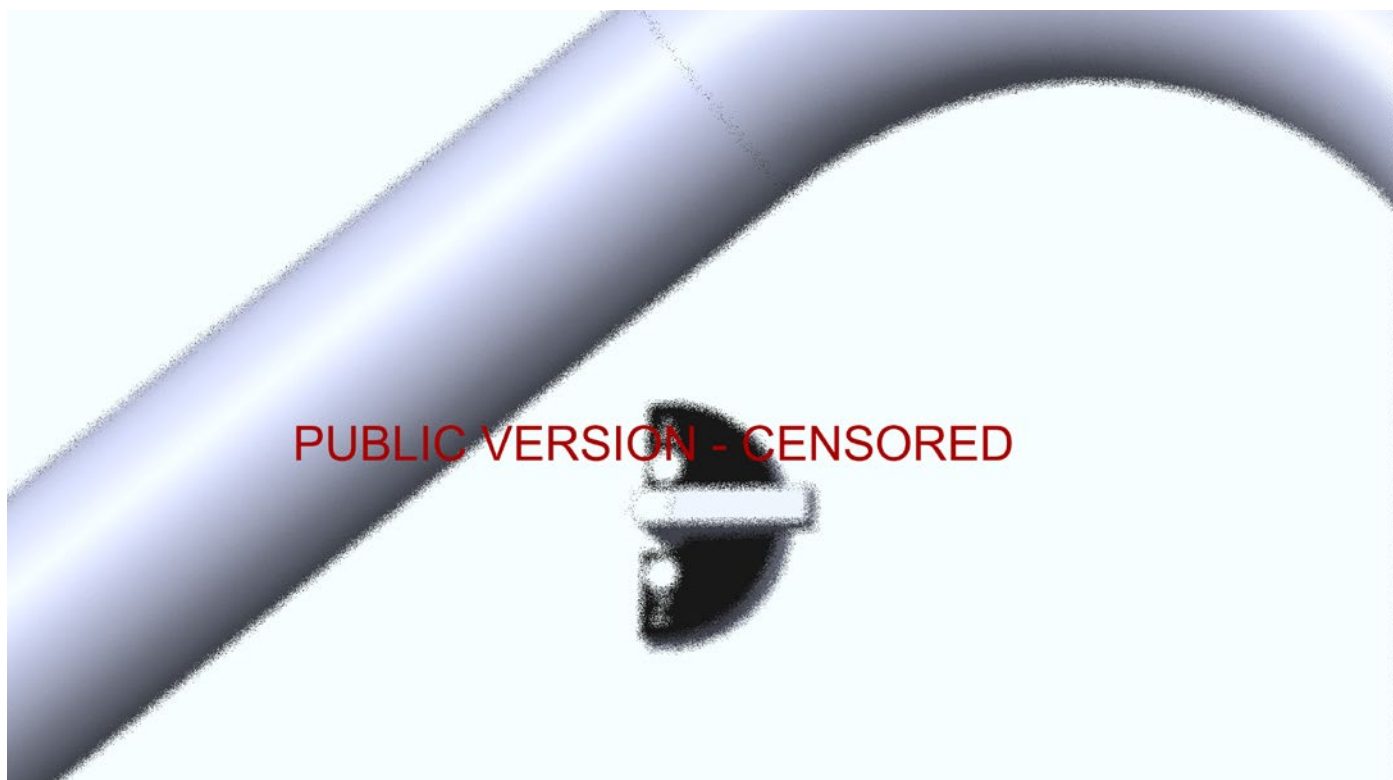
Glue parts 03-01M and 03-01N to part 03-01A.
After that, paint the assembly.



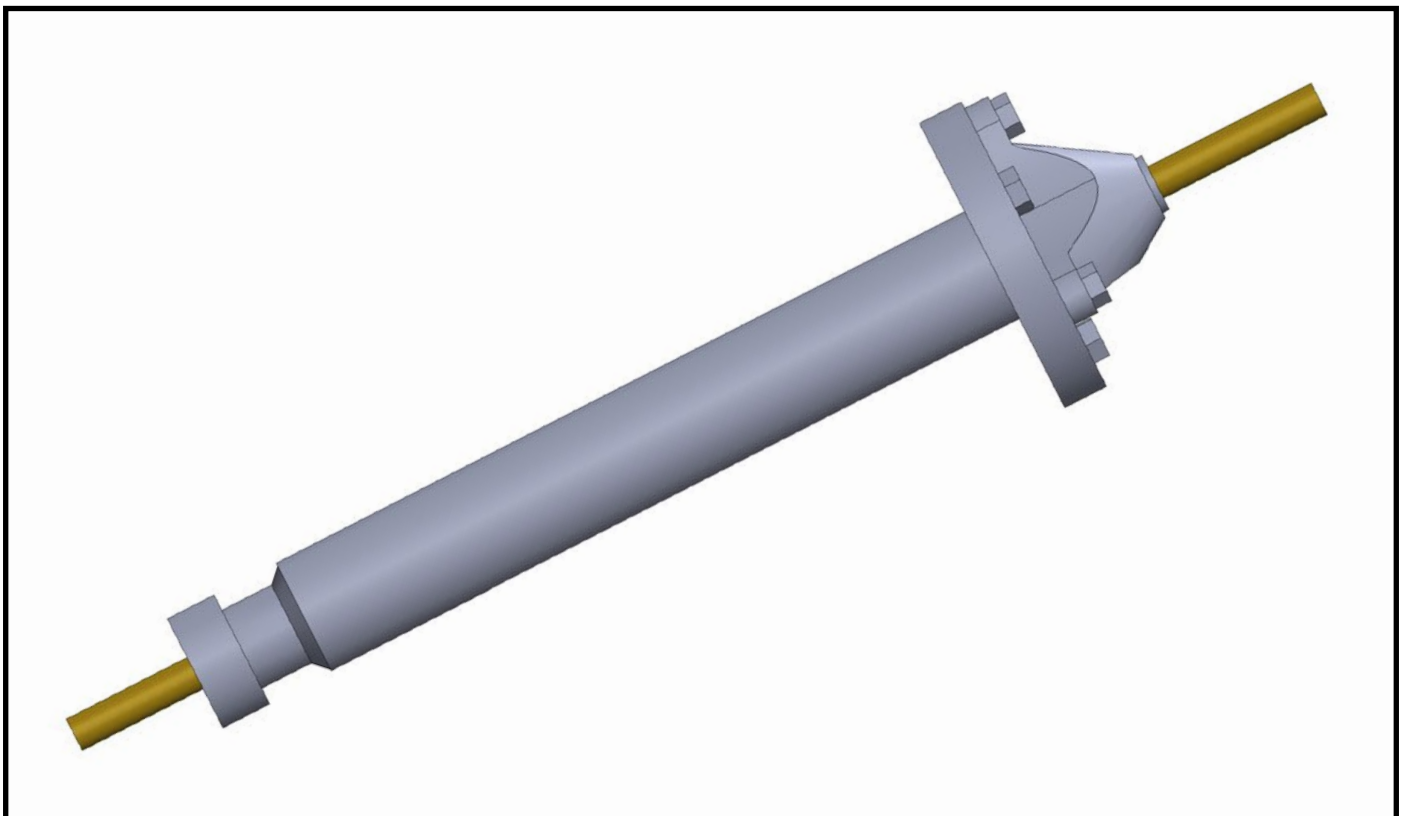
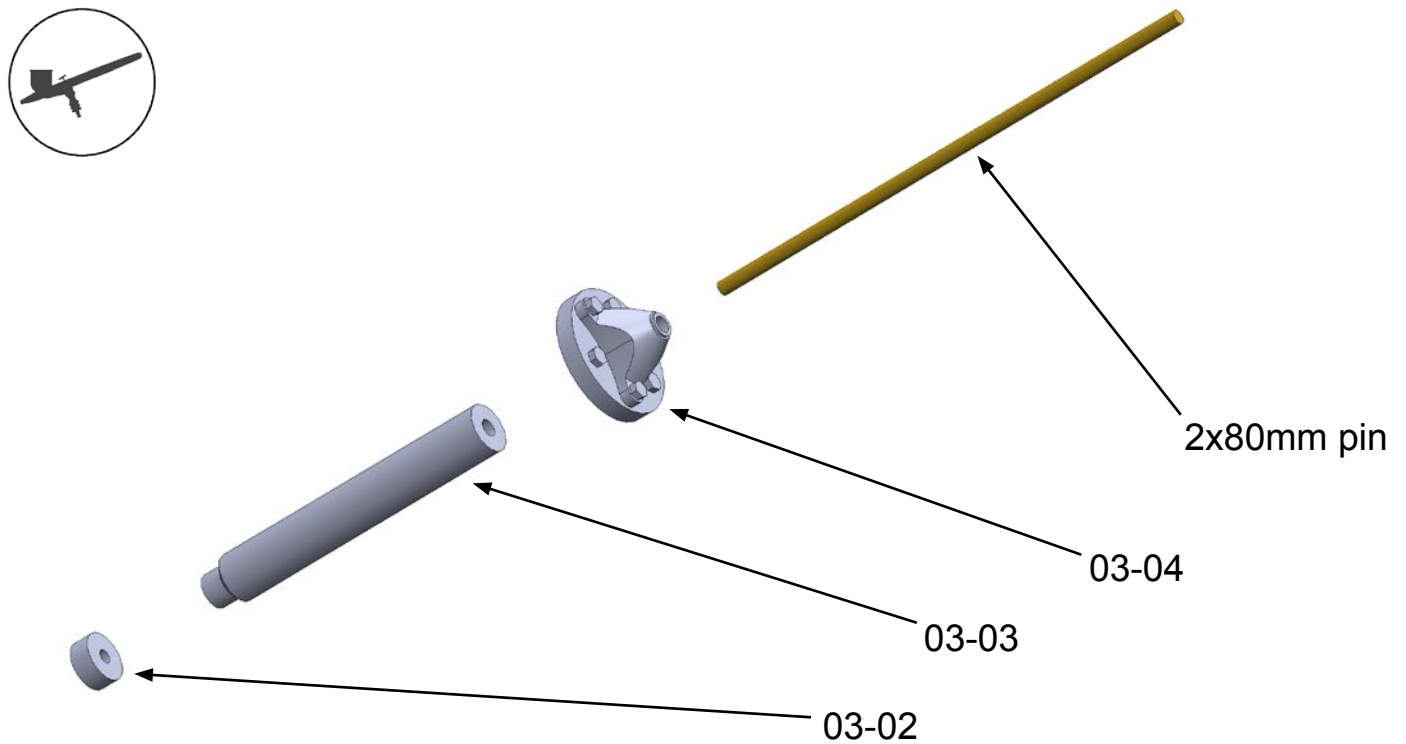
Apply the waterslide decals as shown in the picture.



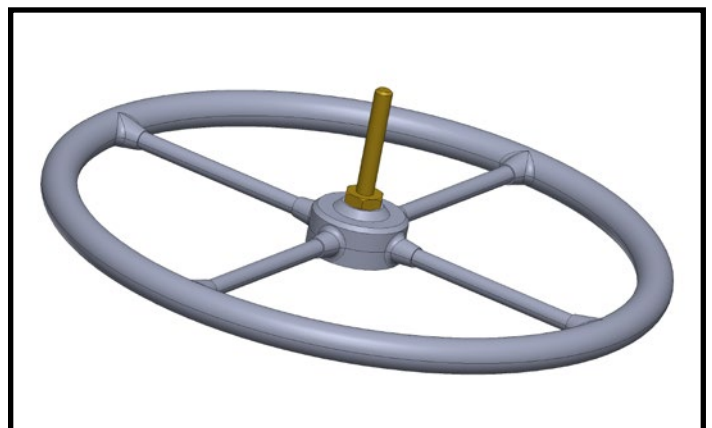
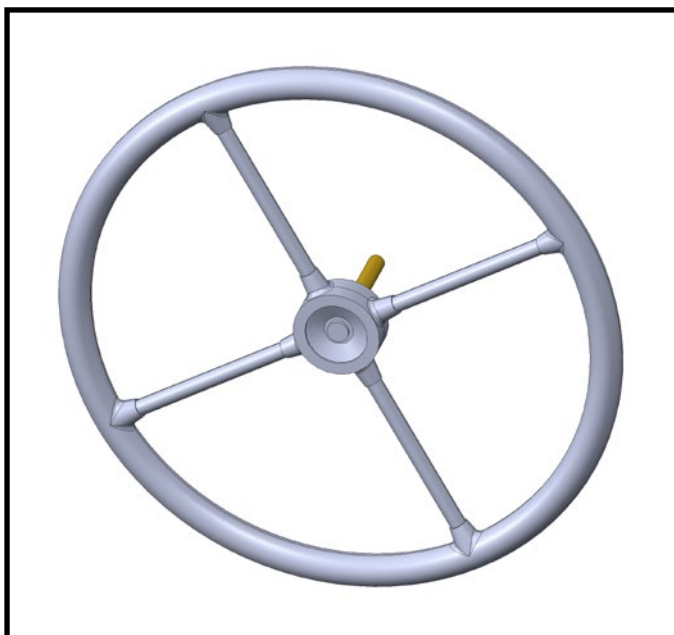
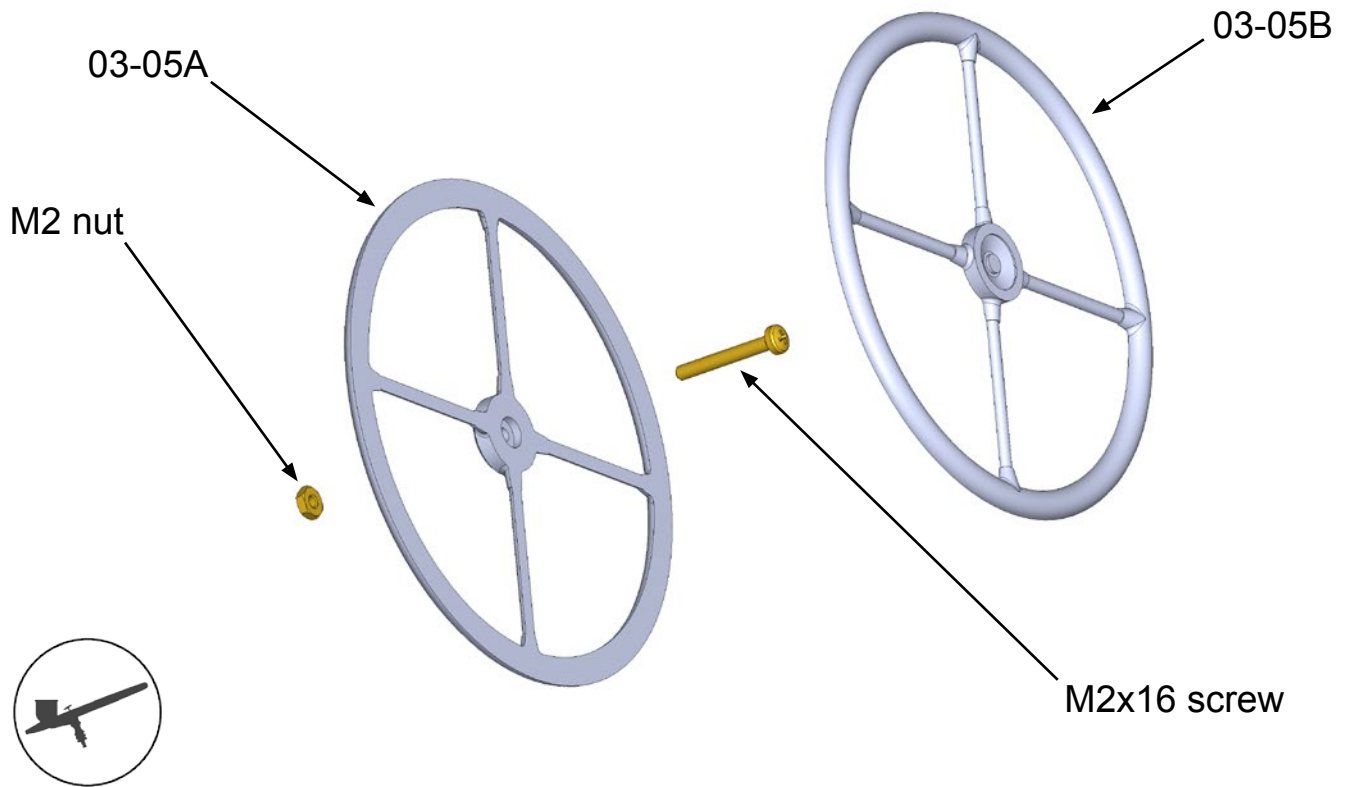
Apply the waterslide decals as shown in the picture.



Apply the waterslide decals as shown in the picture.

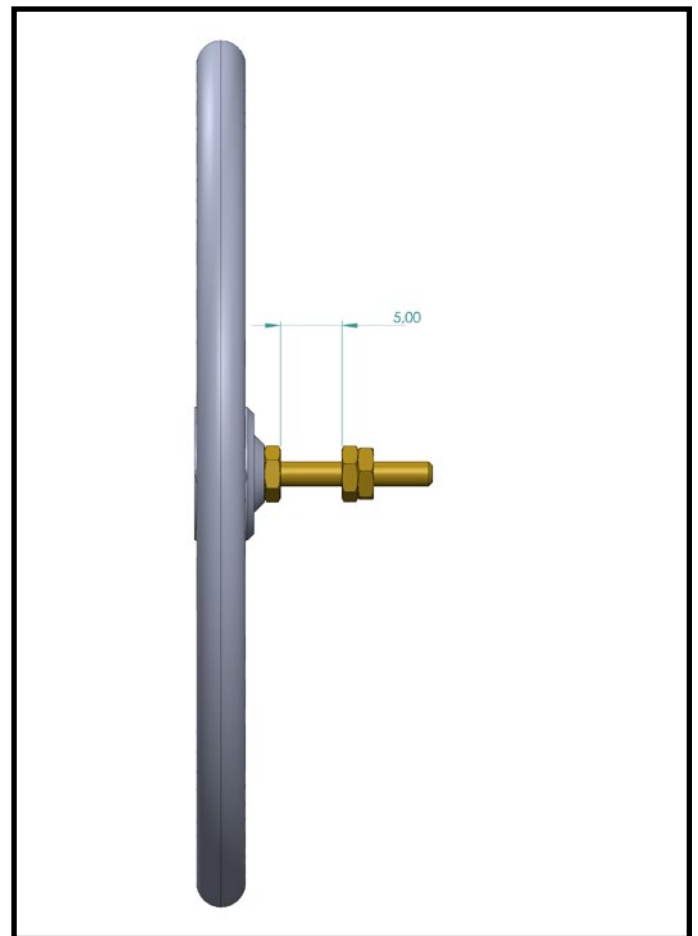
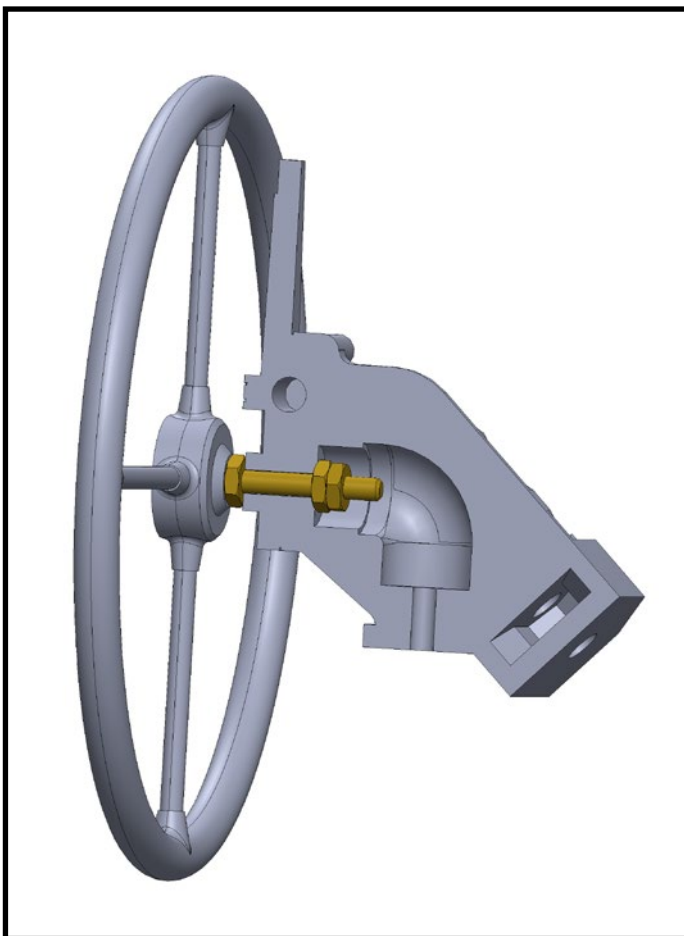
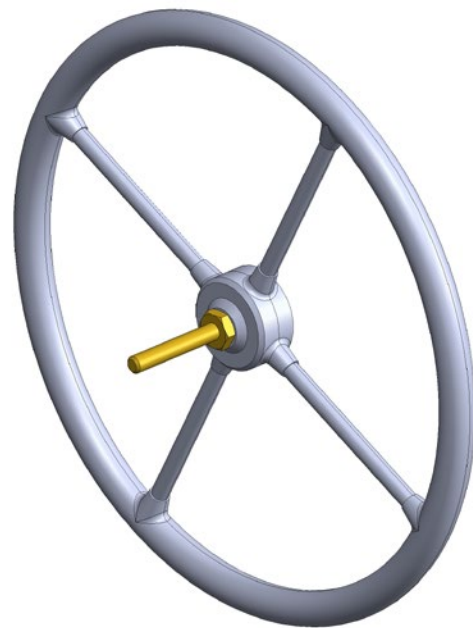
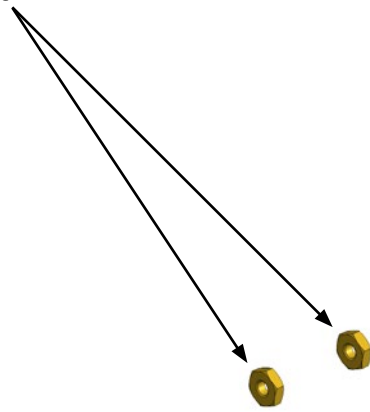


Connect parts 03-02, 03-03, and 03-04 using a 2x80mm pin.
The bottom image shows the correct pin position.



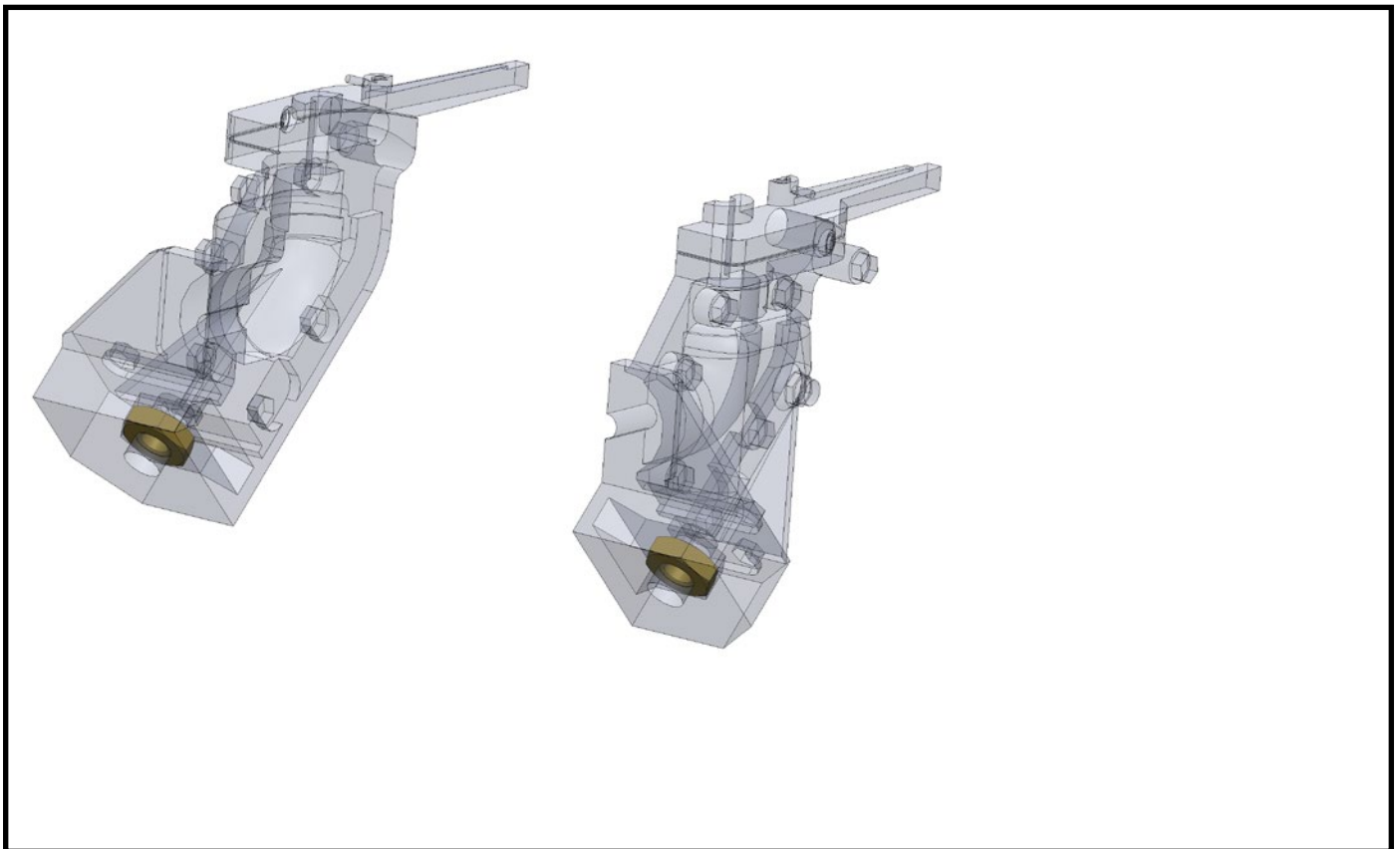
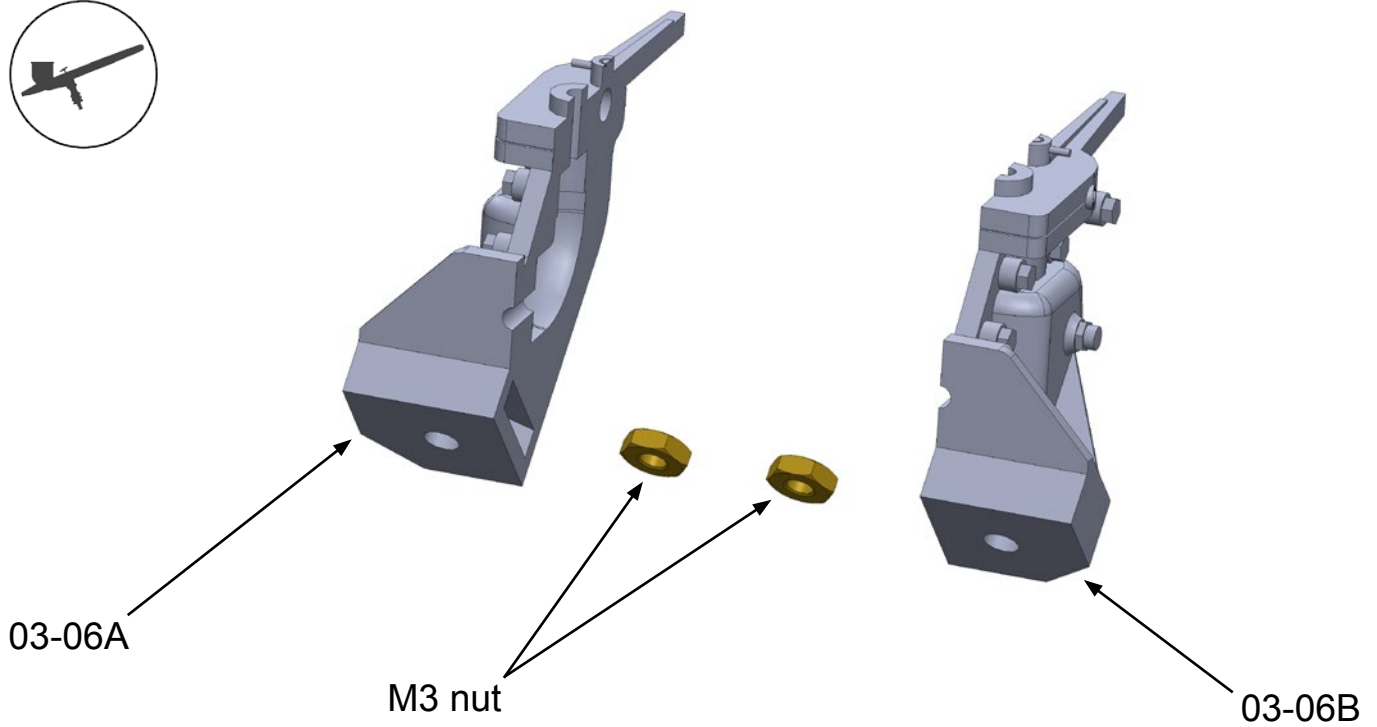
Insert the M2x16 screw into part 03-05A.
Secure it from the other side with an M2 nut. Then glue part 03-05B.

M2 nut

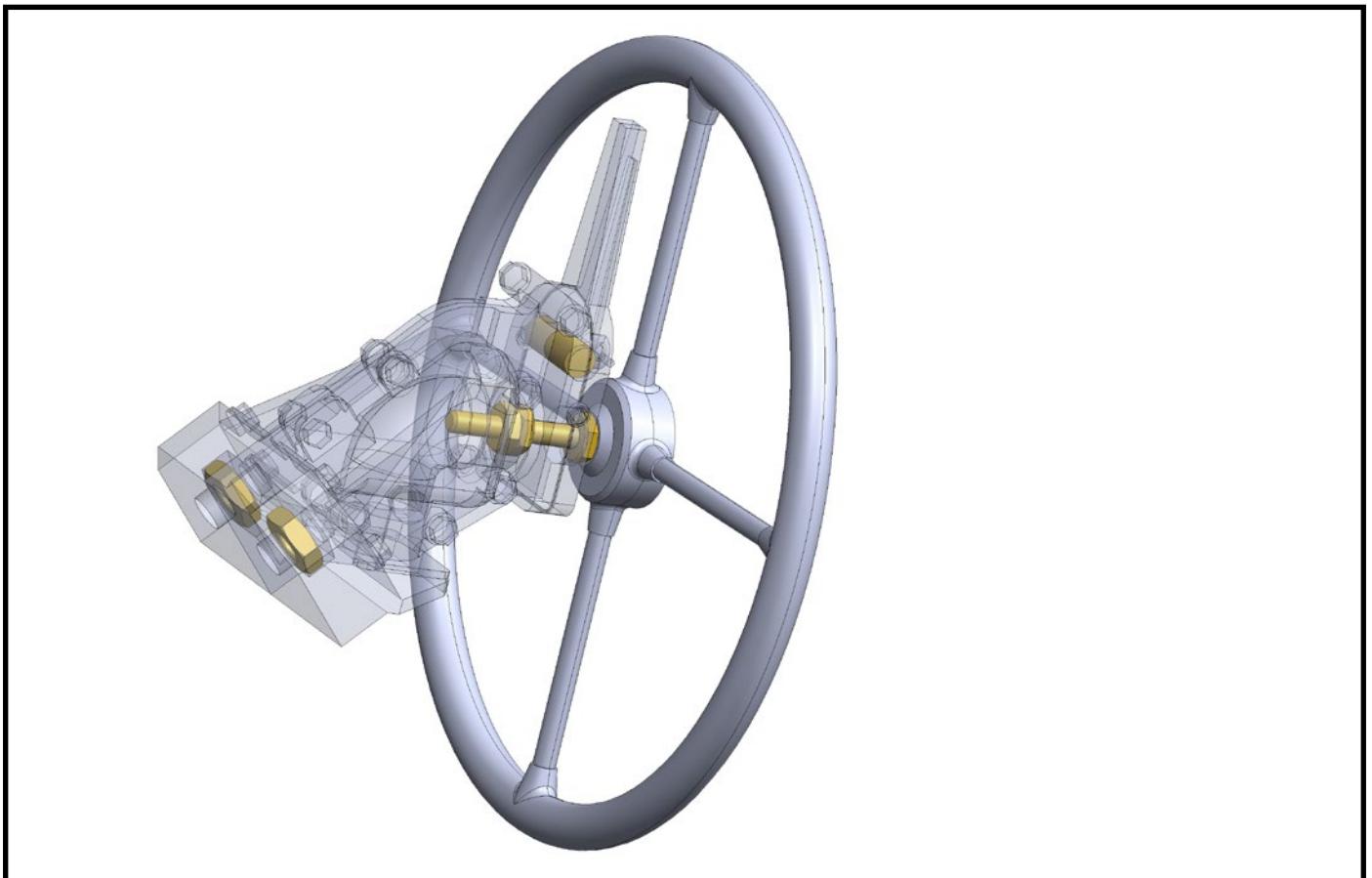
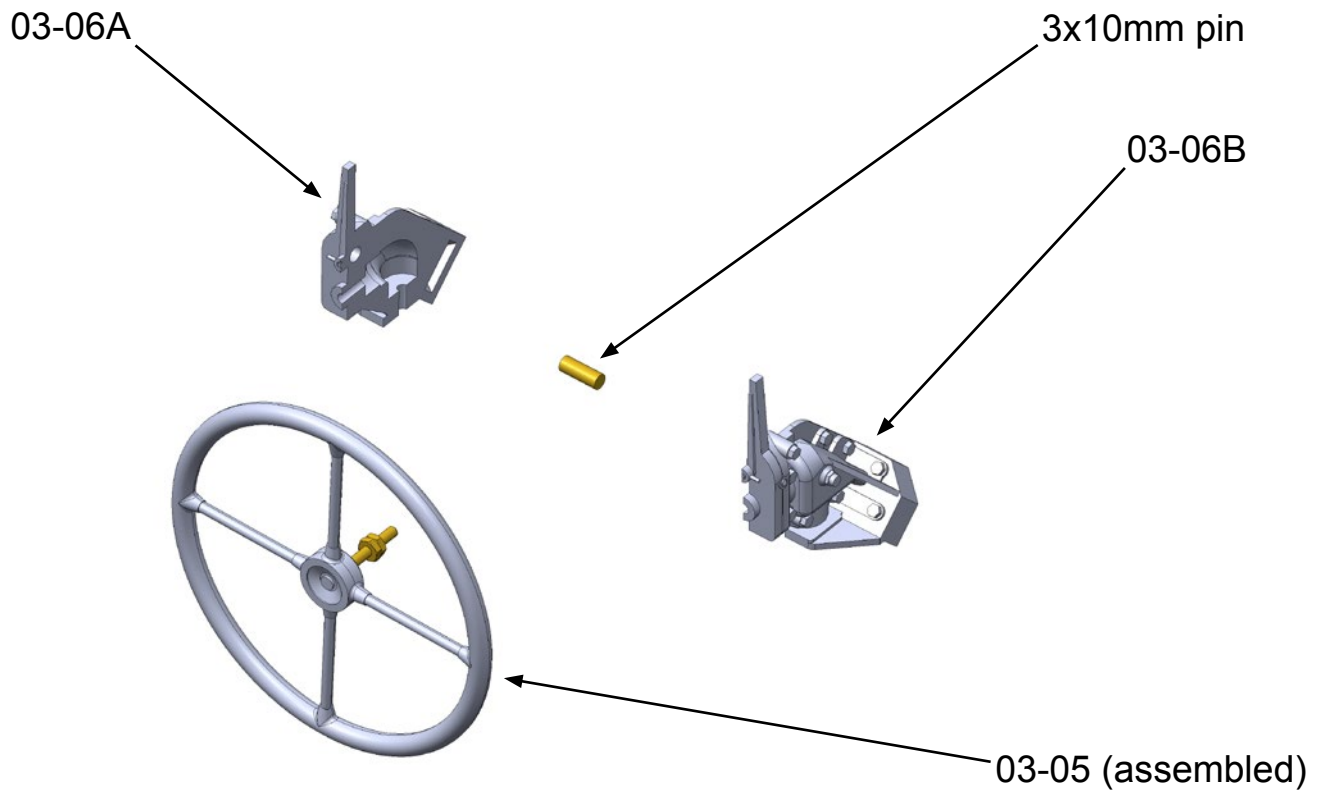


Add two M2 nuts.

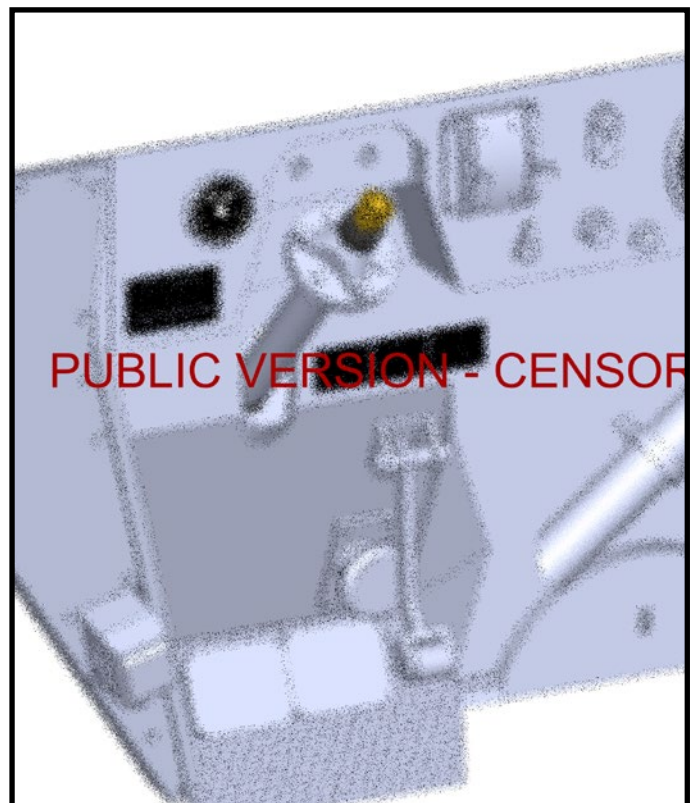
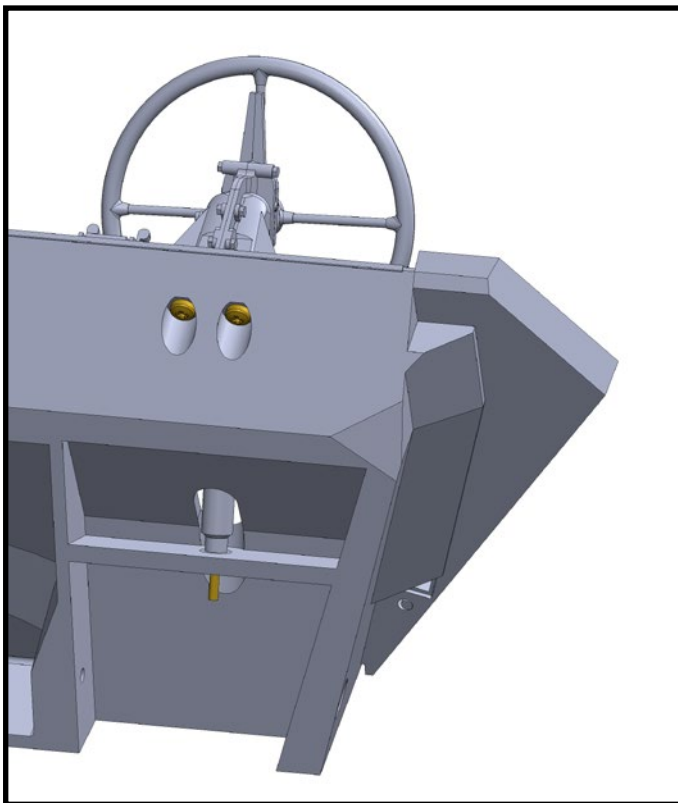
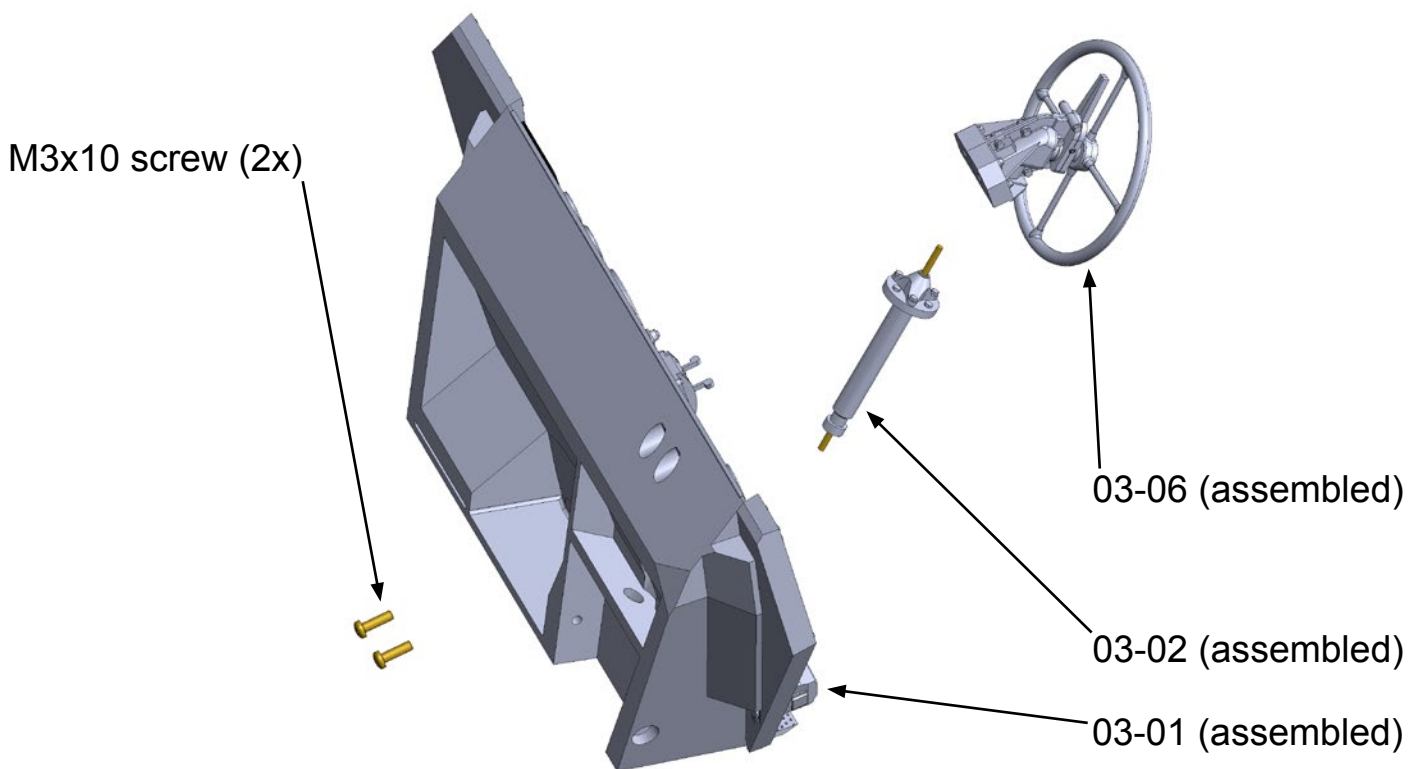
Tighten the nuts against each other at a distance of 5 mm from the first nut. You can use part 03-06A or 03-06B to help you measure the distance easily.



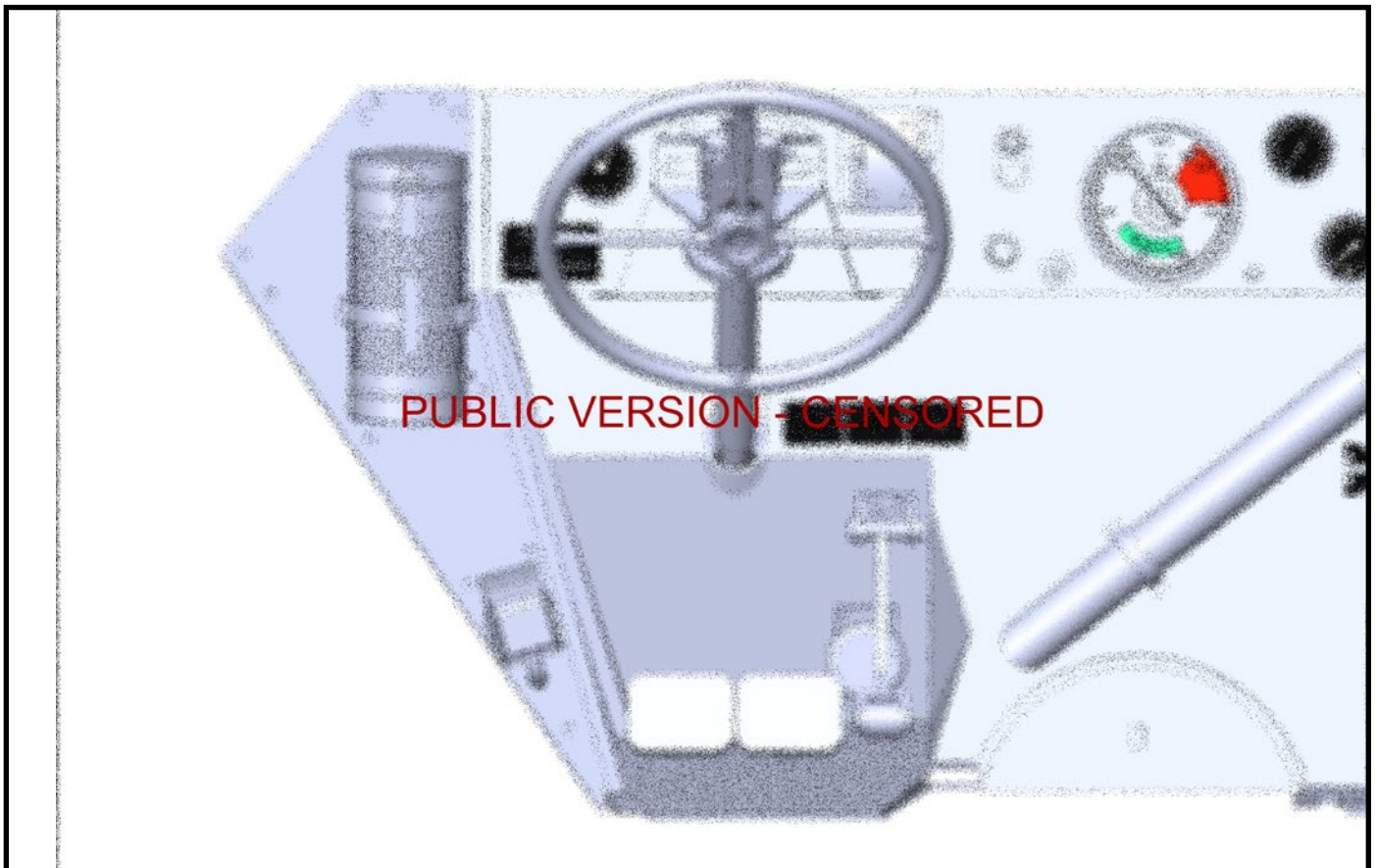
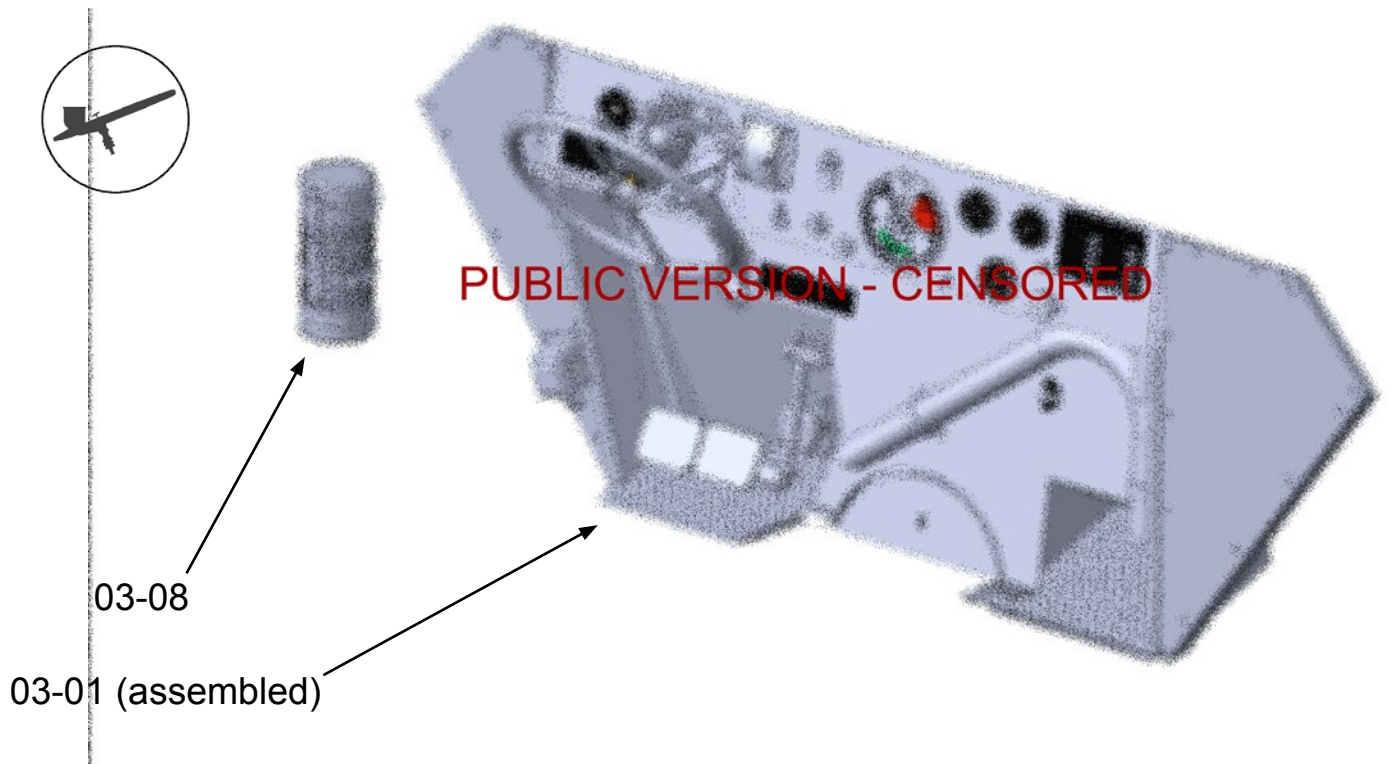
Insert the M3 nuts into parts 03-06A and 03-06B.
Do not glue the parts together.



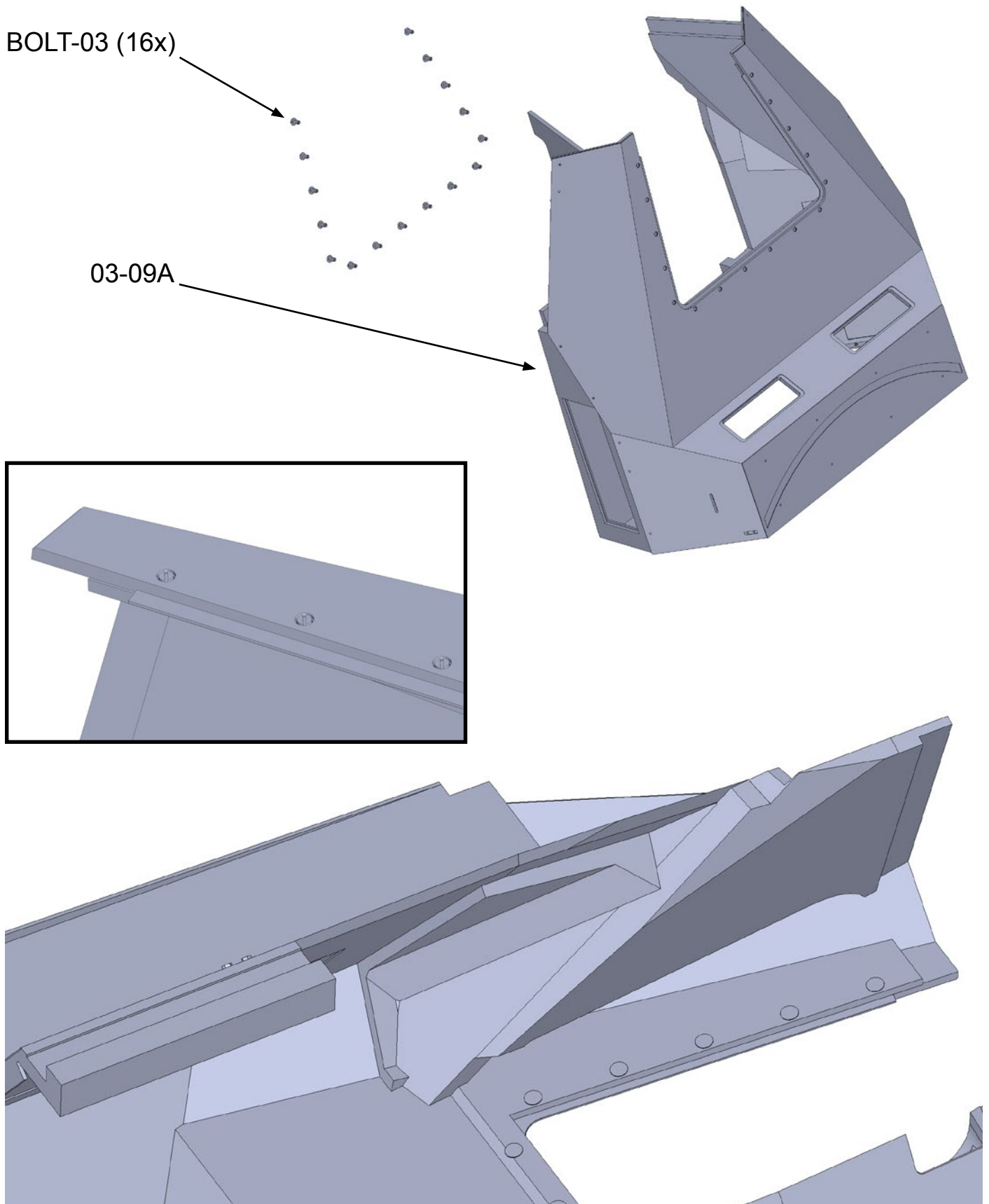
Insert the 3x8mm pin and assembly 03-05 into part 03-06A. Then add part 03-06B.



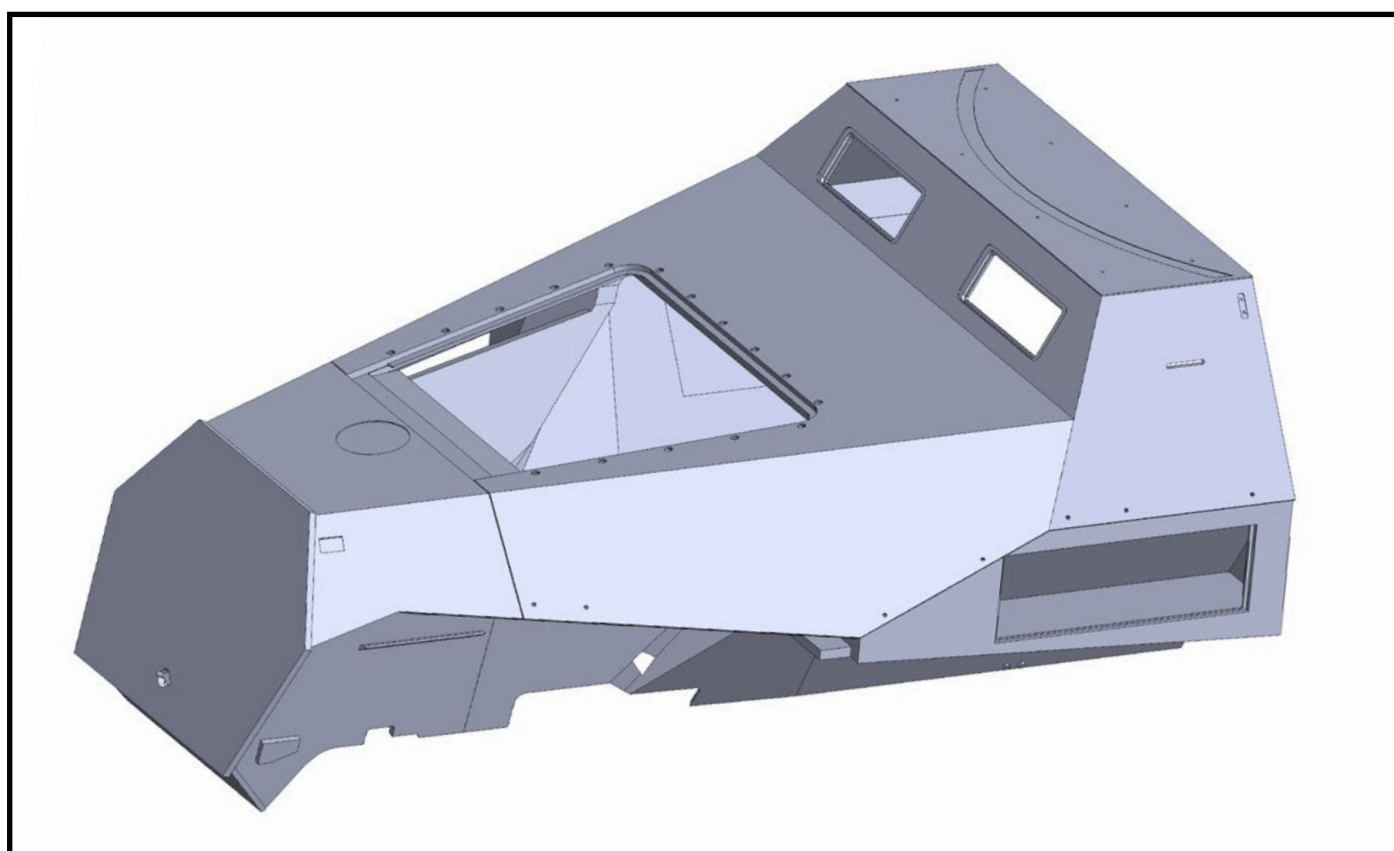
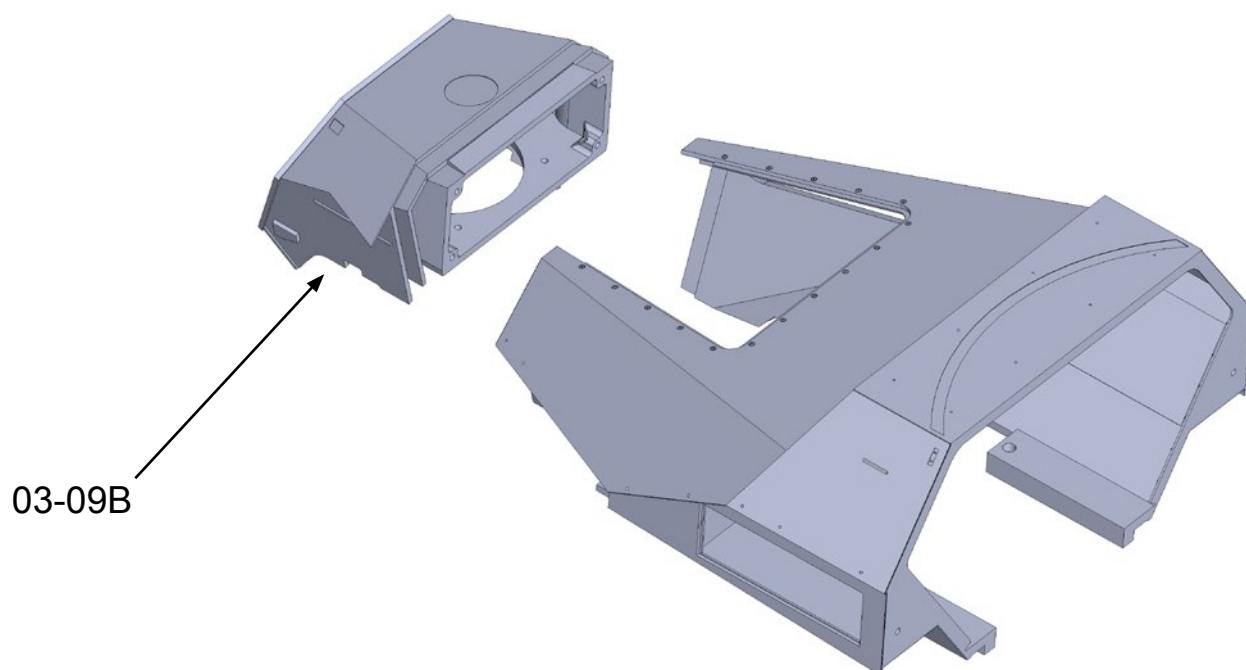
Insert assembly 03-02 into assembly 03-06.
Then insert the other end of assembly 03-02 into assembly 03-01.
Secure with two M3x10 screws.



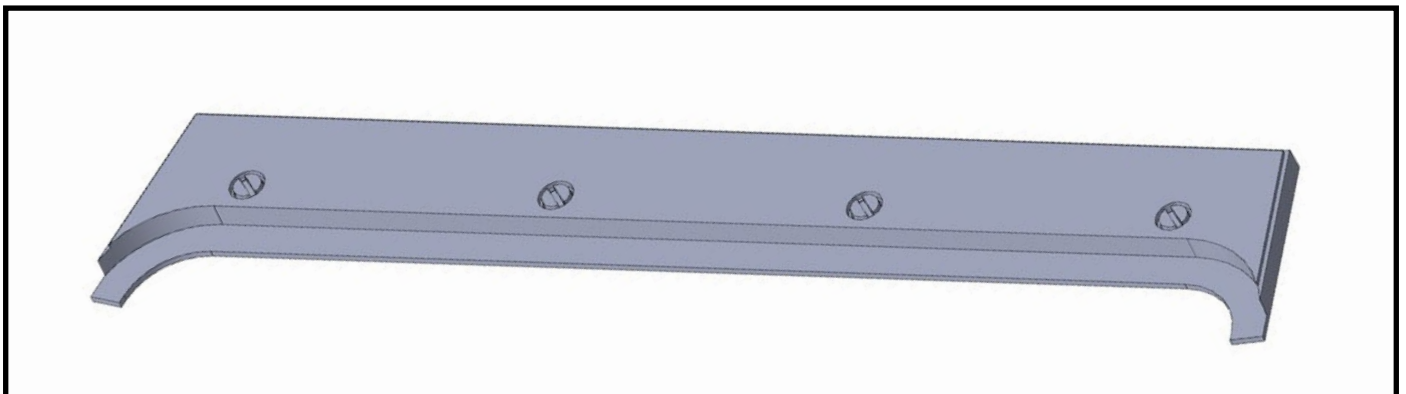
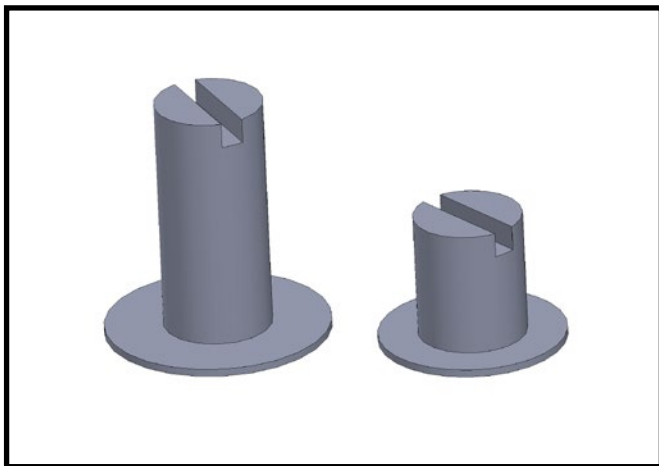
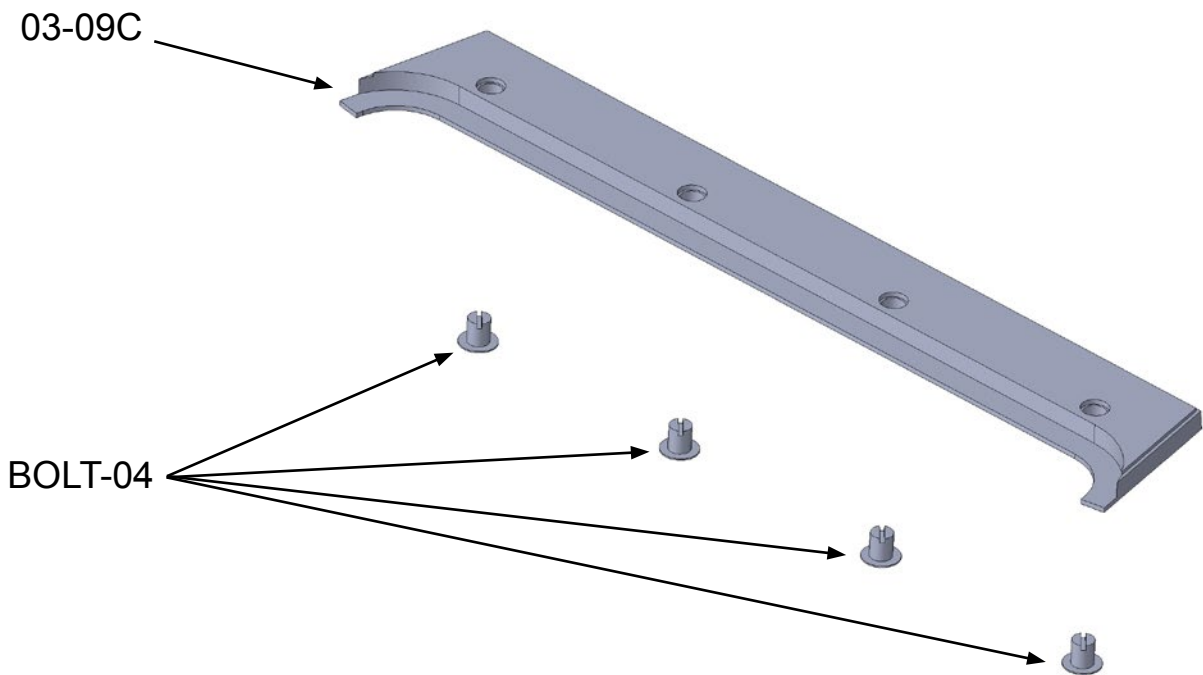
Paint part 03-08.
Then glue it onto part 03-01.



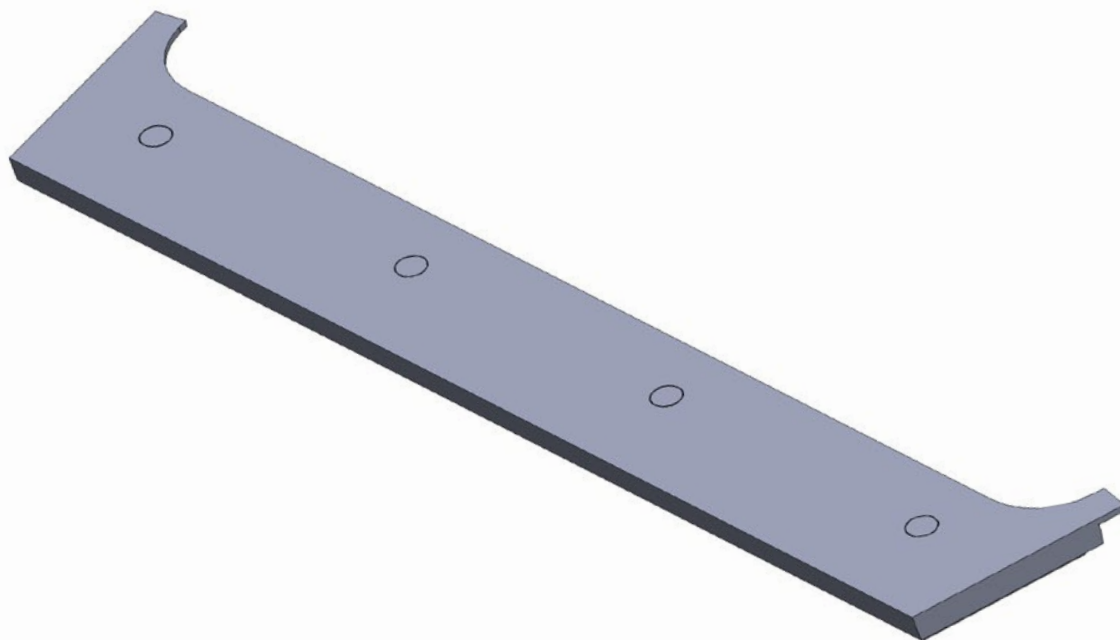
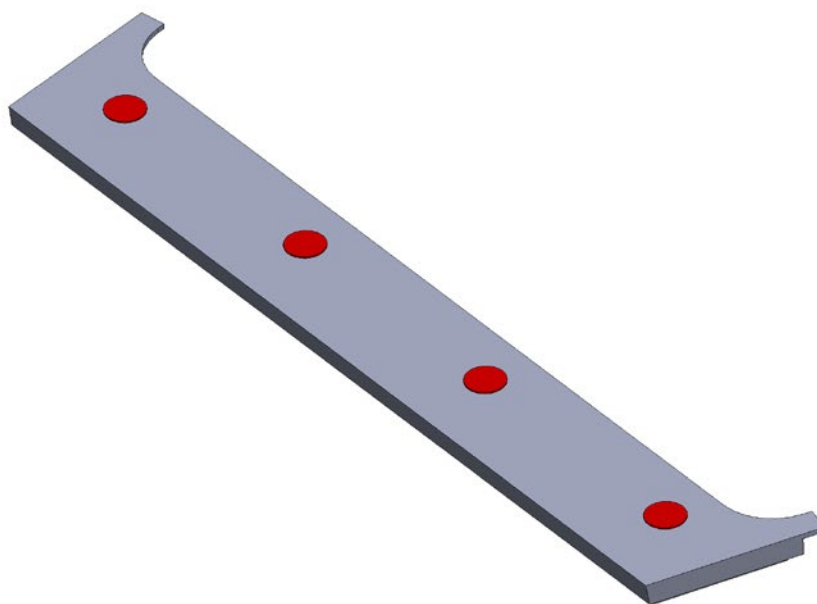
Glue the plastic bolts BOLT-03 (16 pieces) onto part 03-09A.



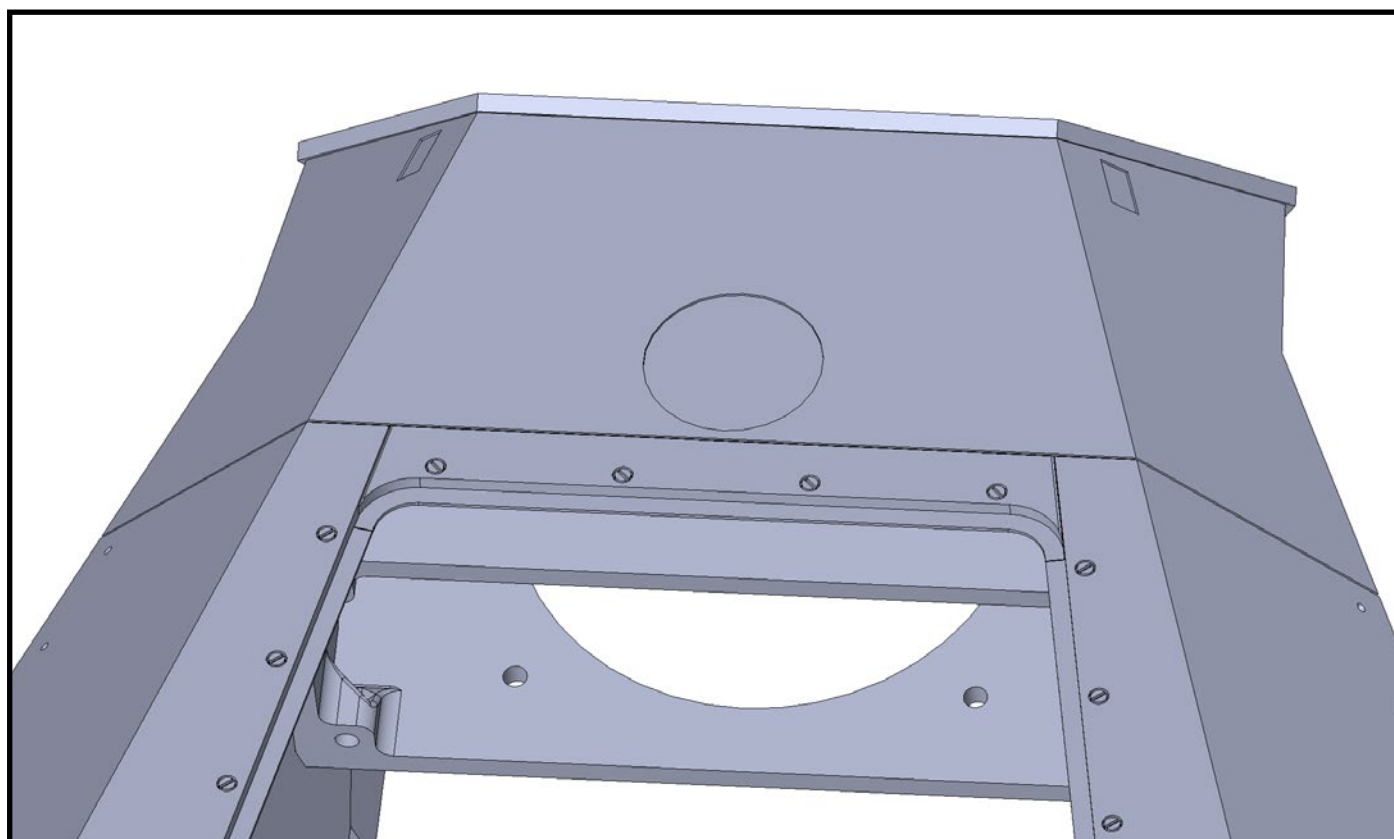
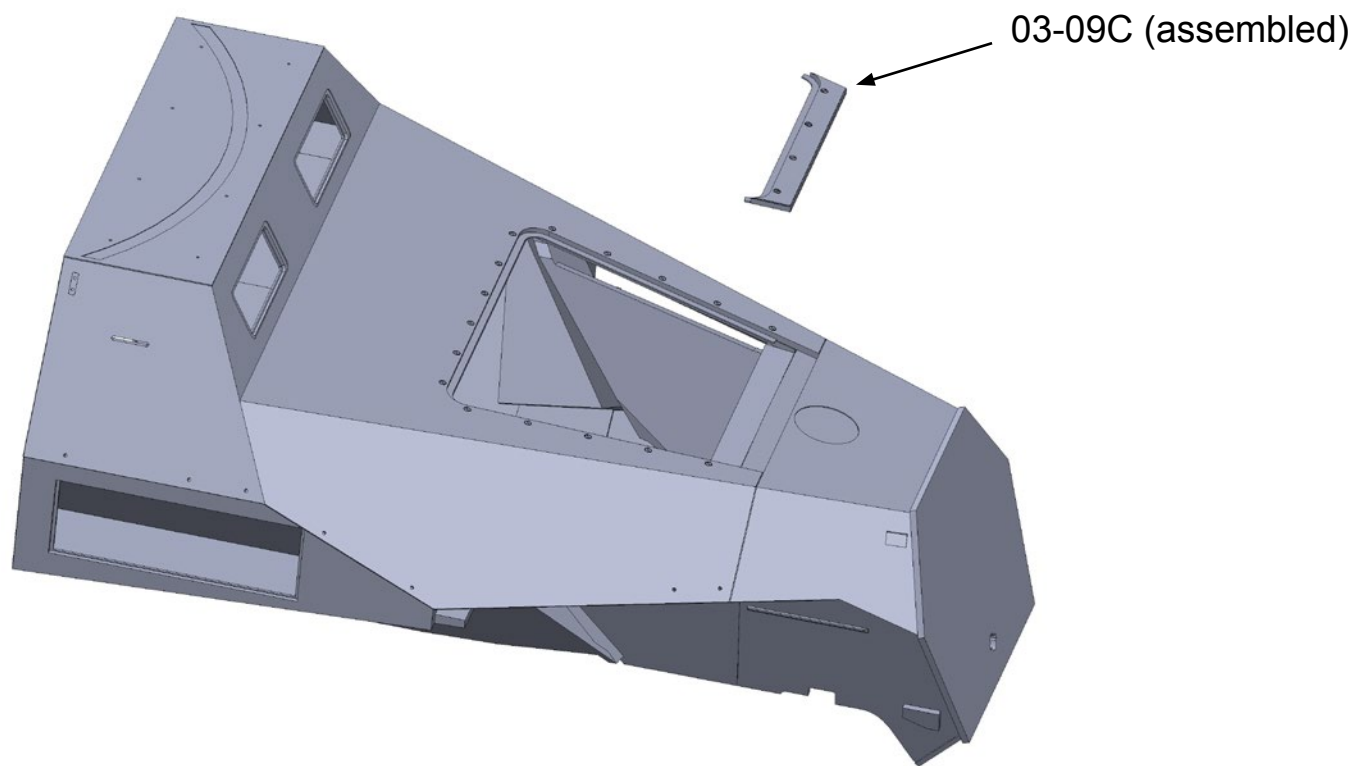
Glue parts 03-09A and 03-09B together.
Do not fill the gap between the parts with putty.
When gluing, make sure that the surfaces are aligned.



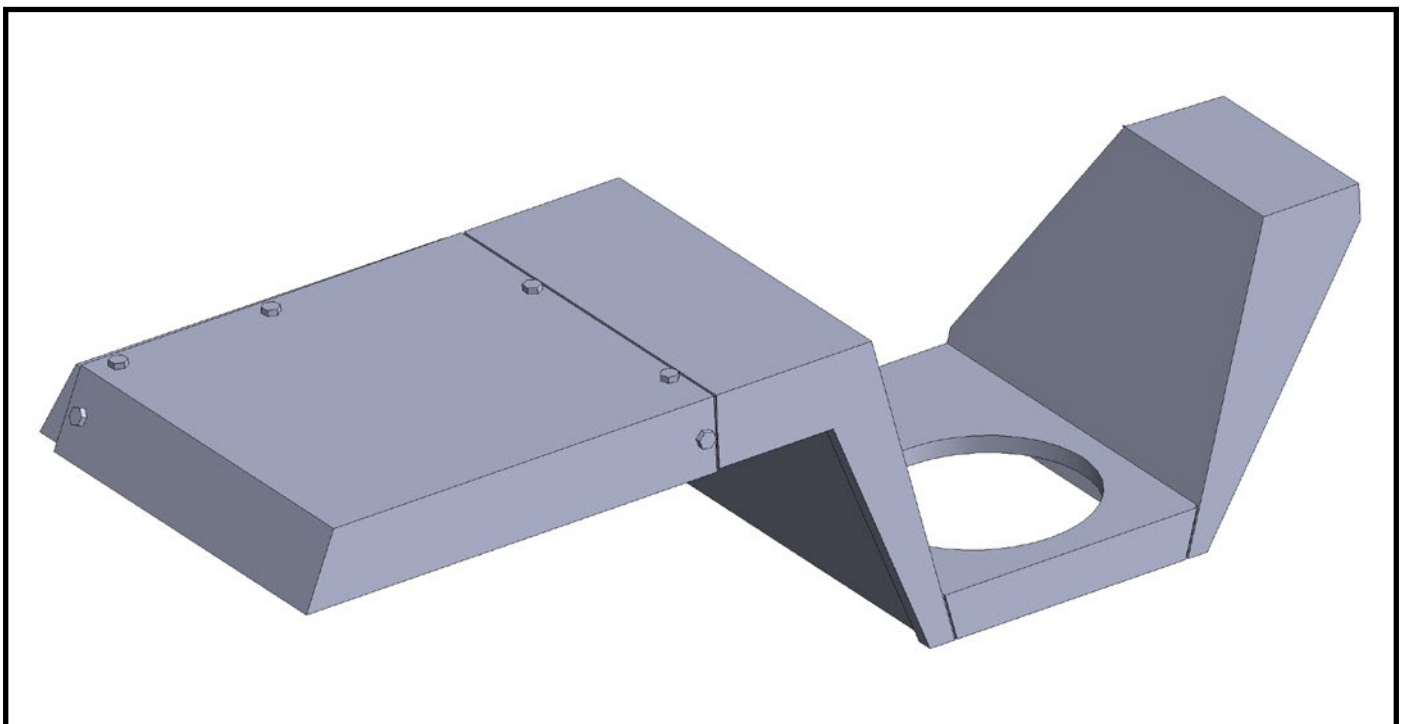
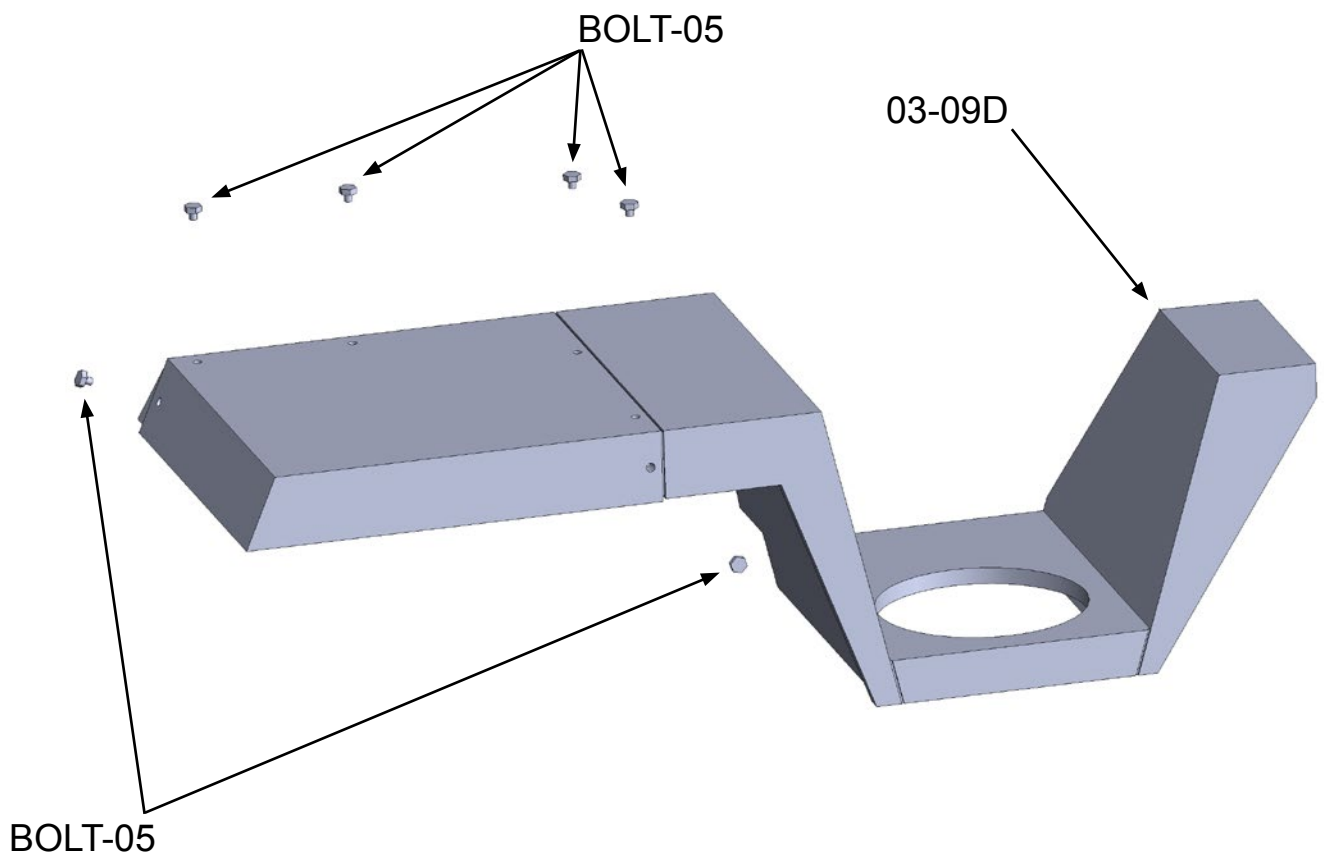
Glue the plastic bolts BOLT-04 (4 pieces) onto part 03-09C.



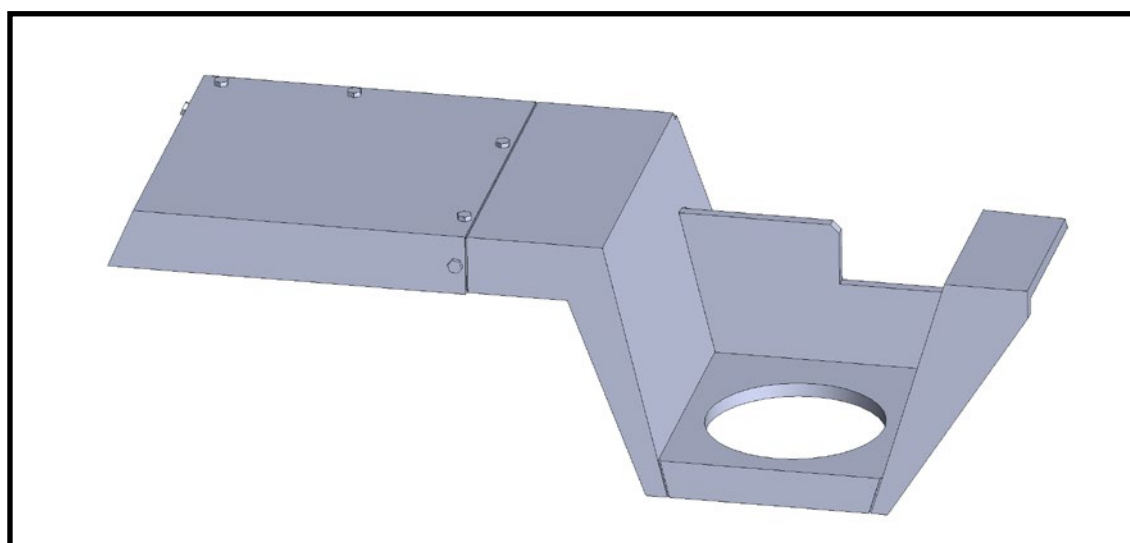
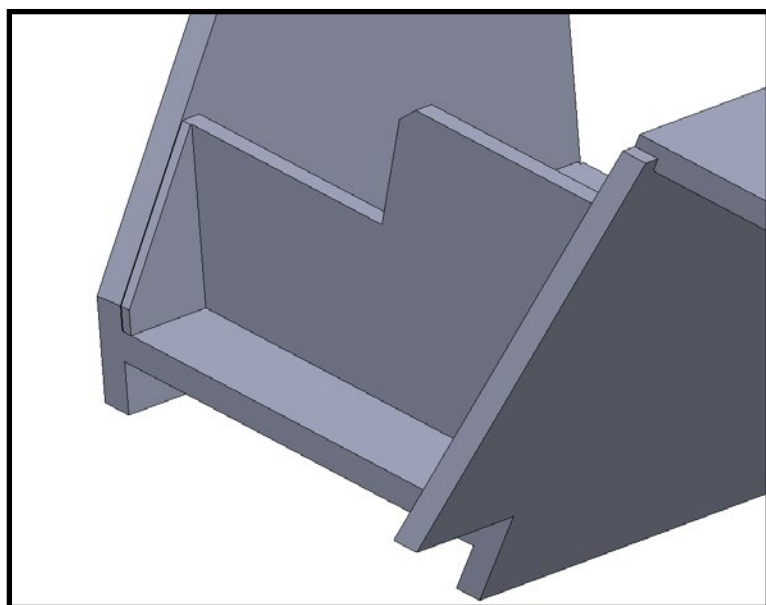
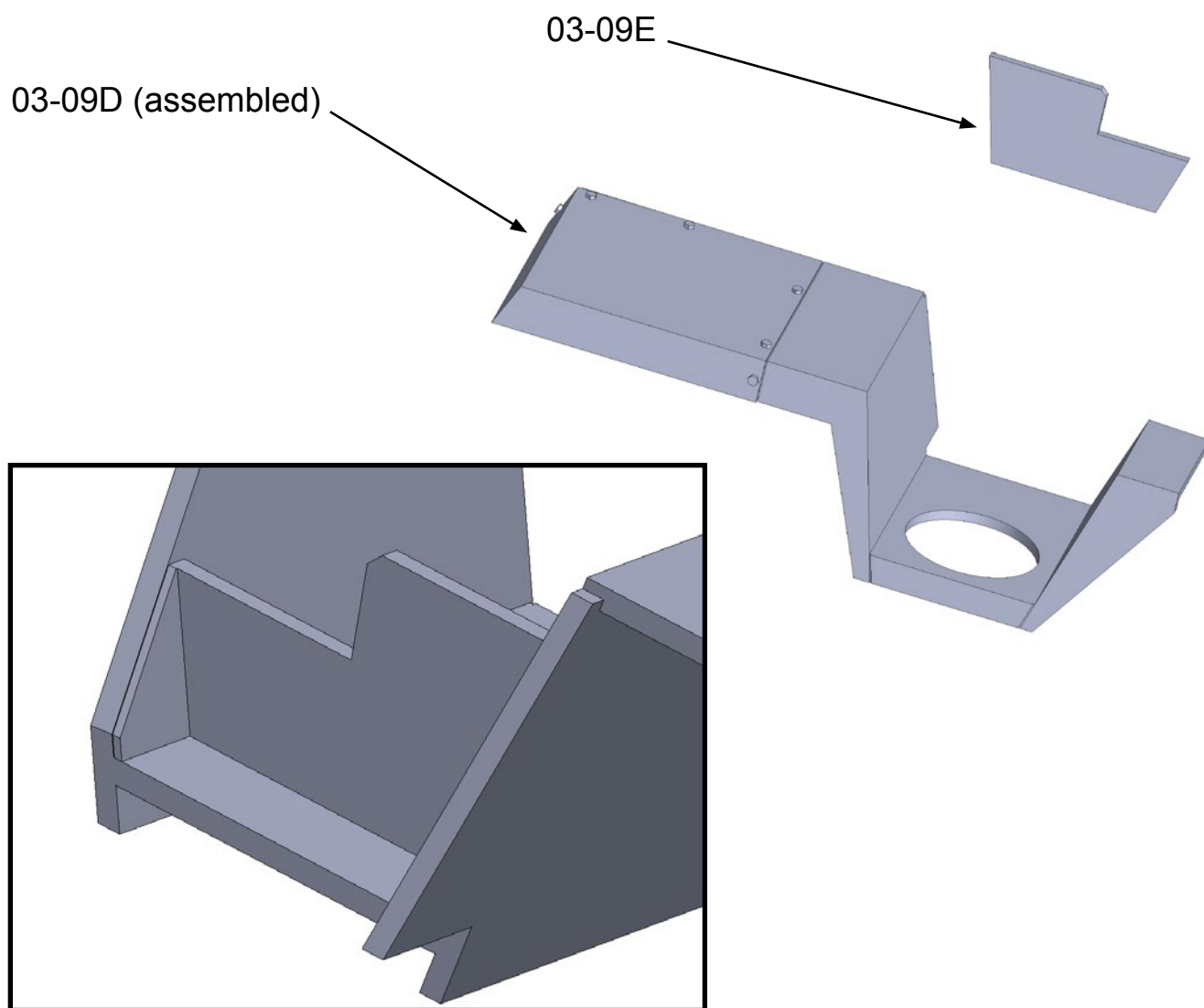
Wait until the glue dries.
Sand the areas marked in red on the bottom side.
The bottom surface of part 03-09C must be flat.



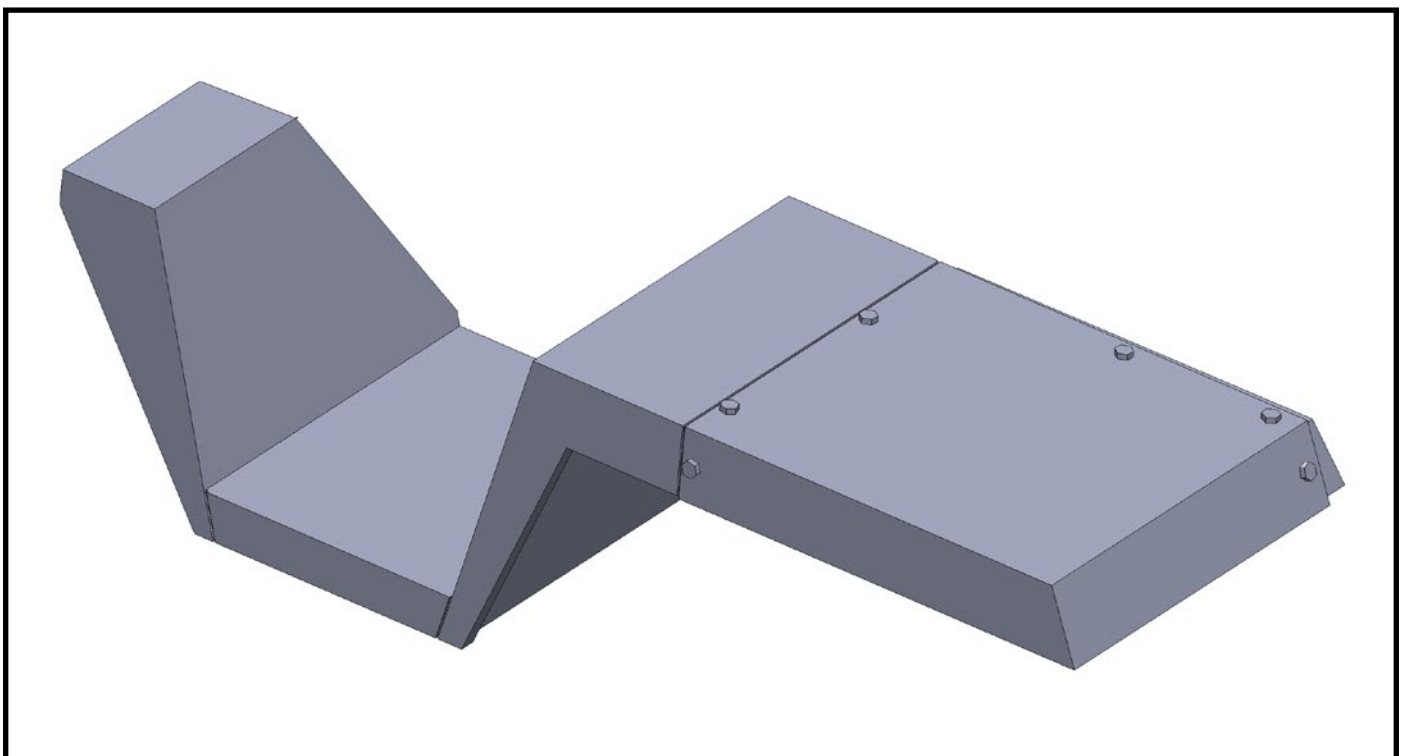
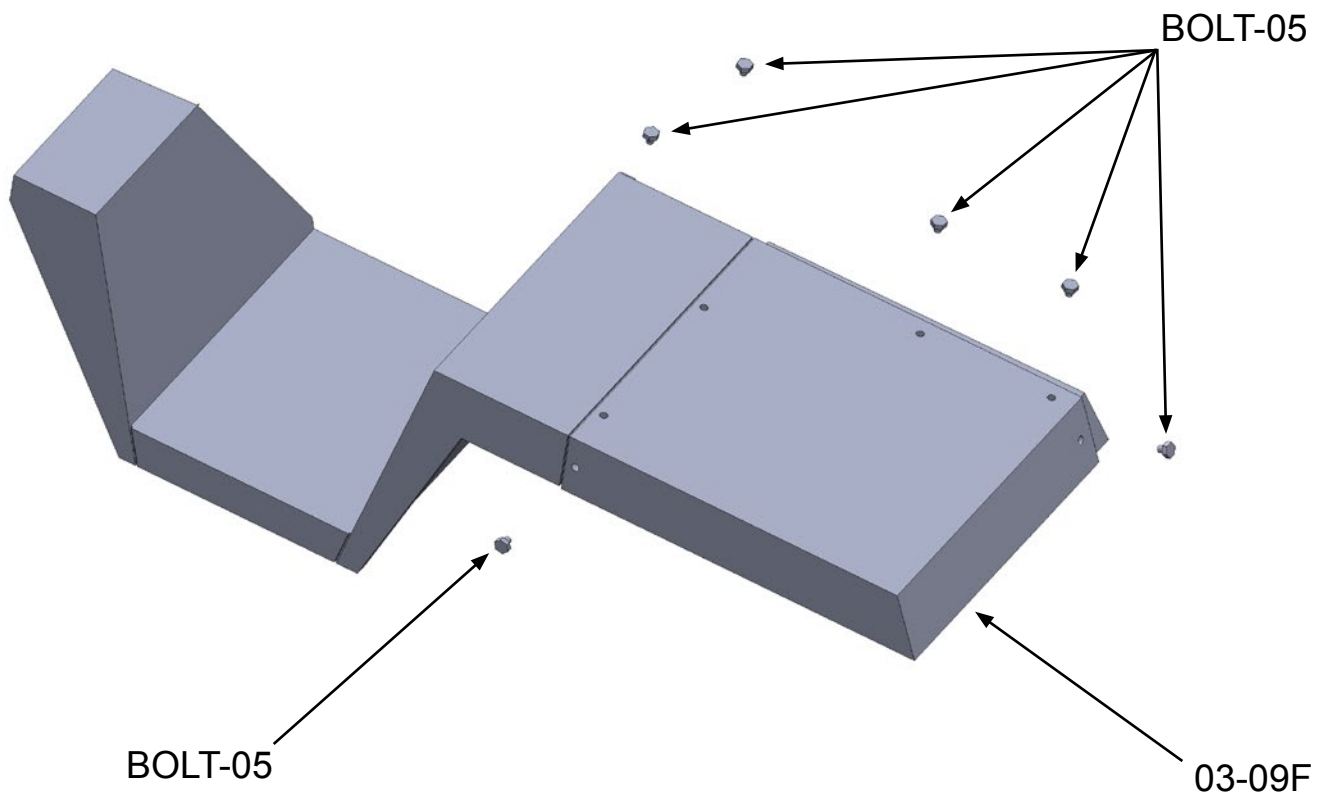
Glue part 03-09C to part 03-09B.



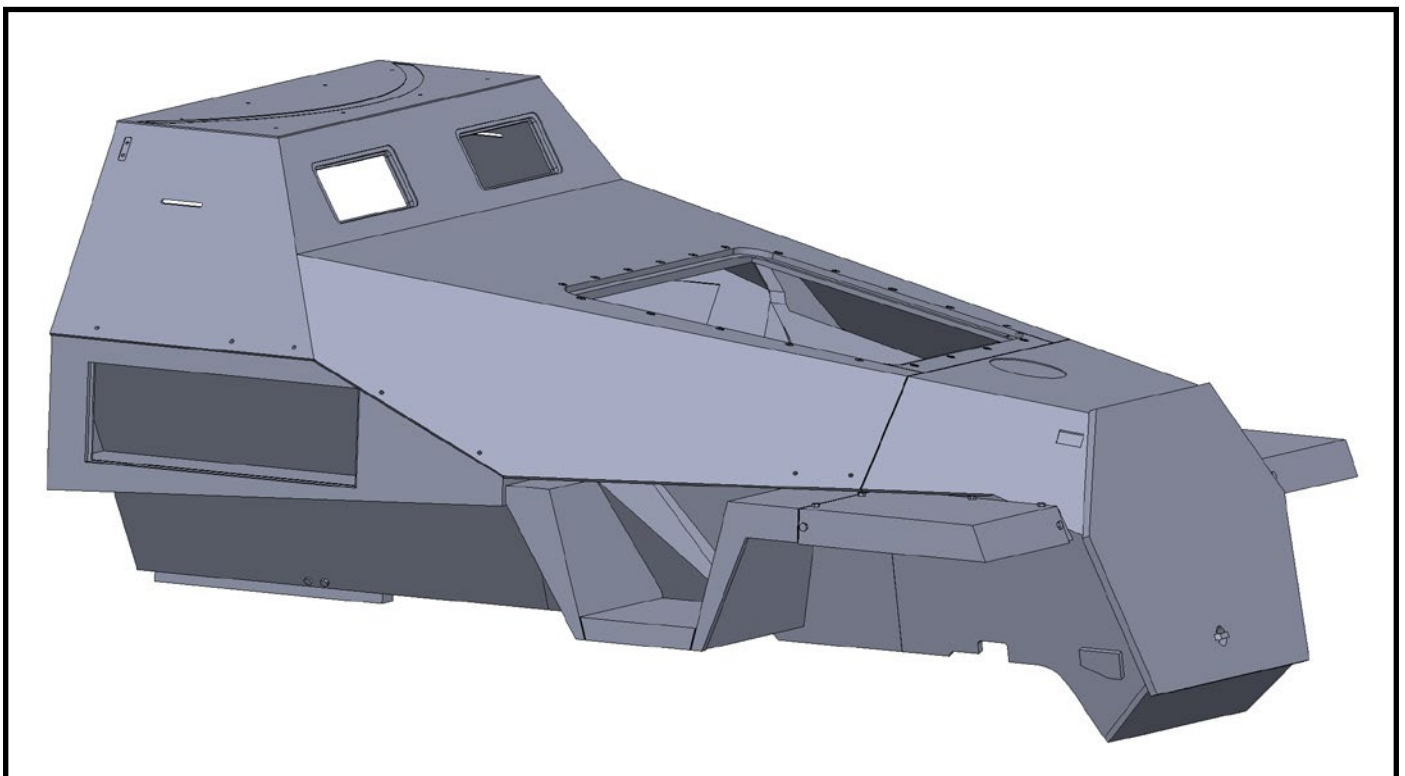
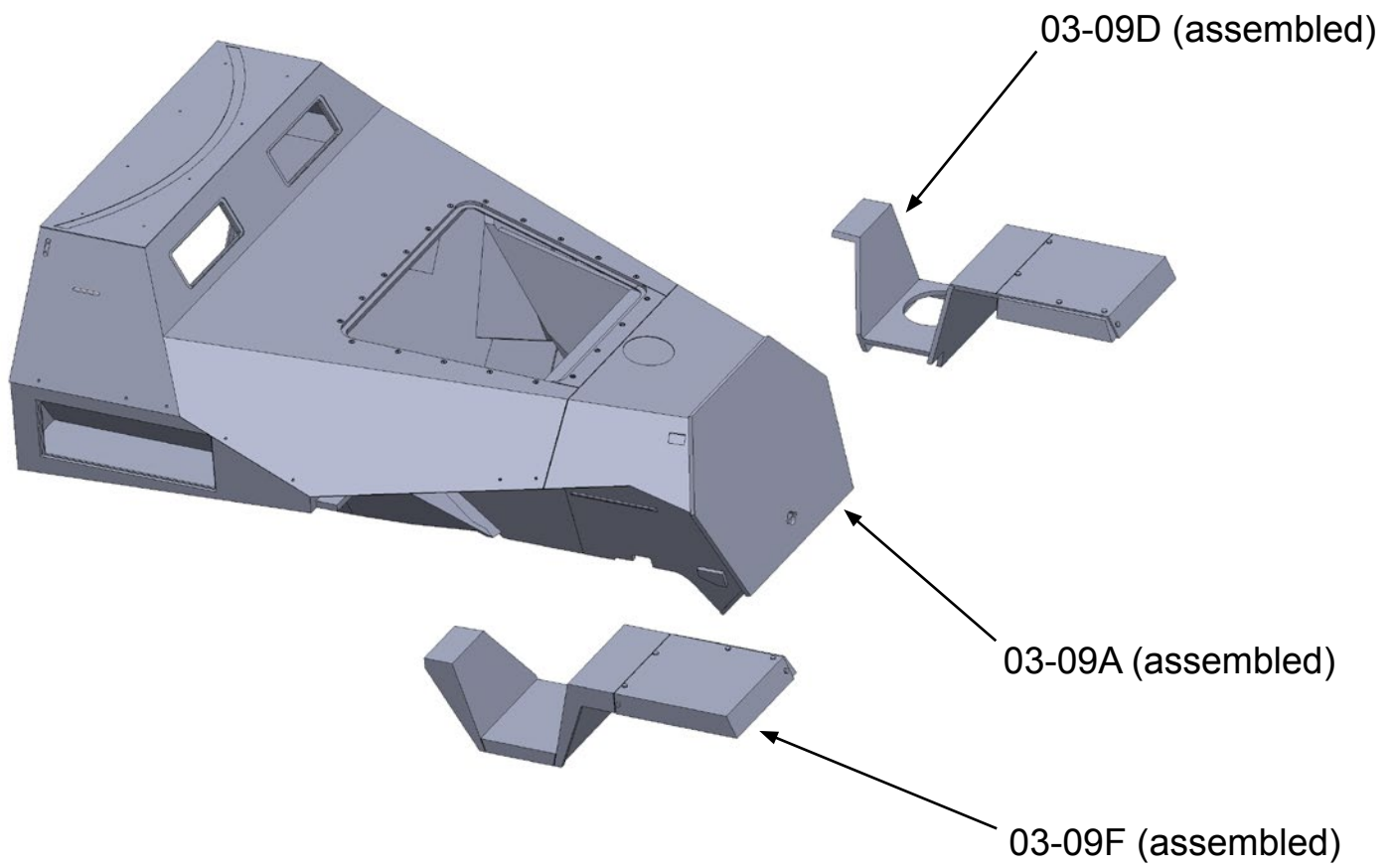
Glue the plastic bolts BOLT-05 (6 pieces) onto part 03-09D.



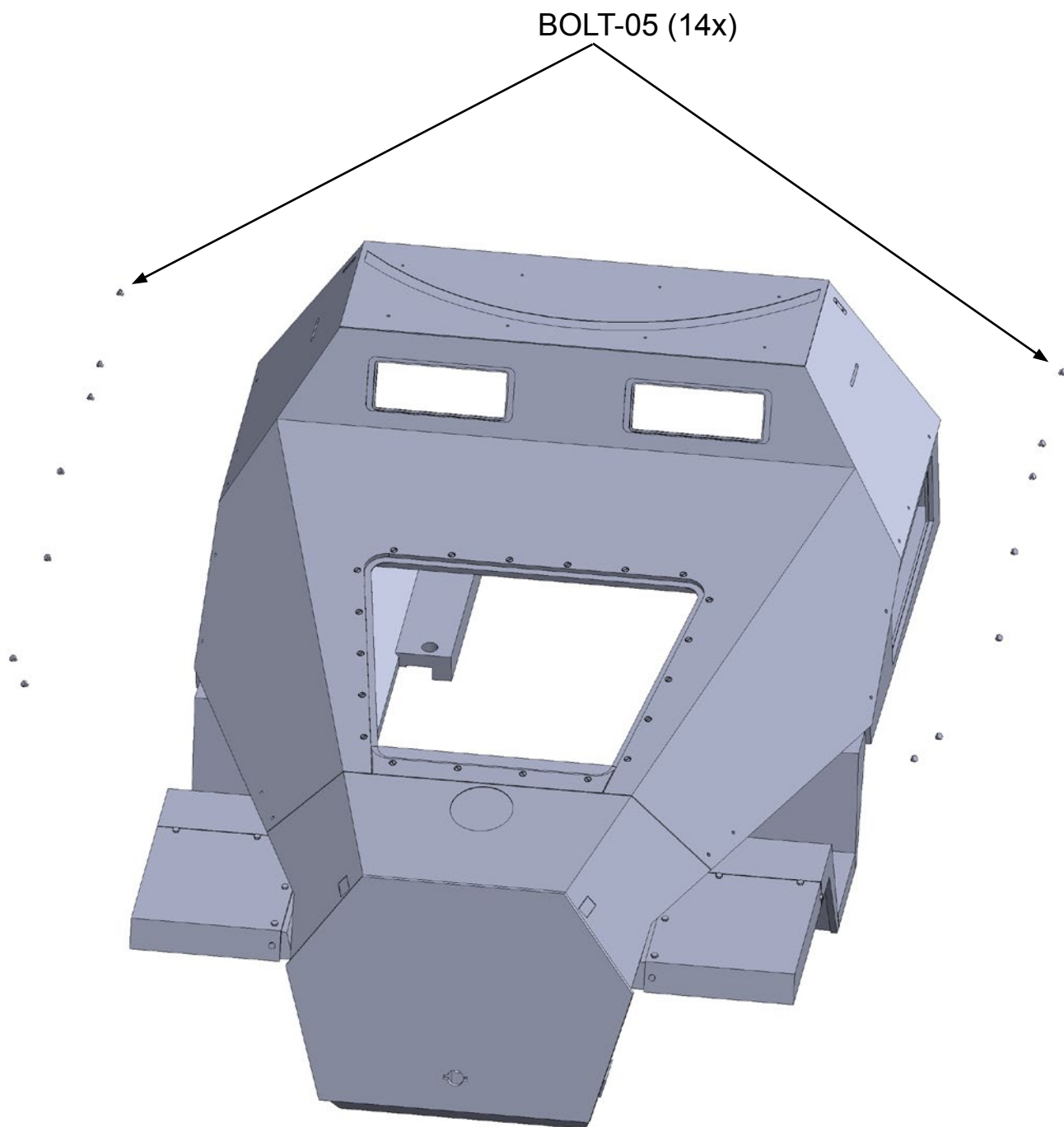
Glue part 03-03E to part 03-09D.
Carefully align according to the bottom pictures.



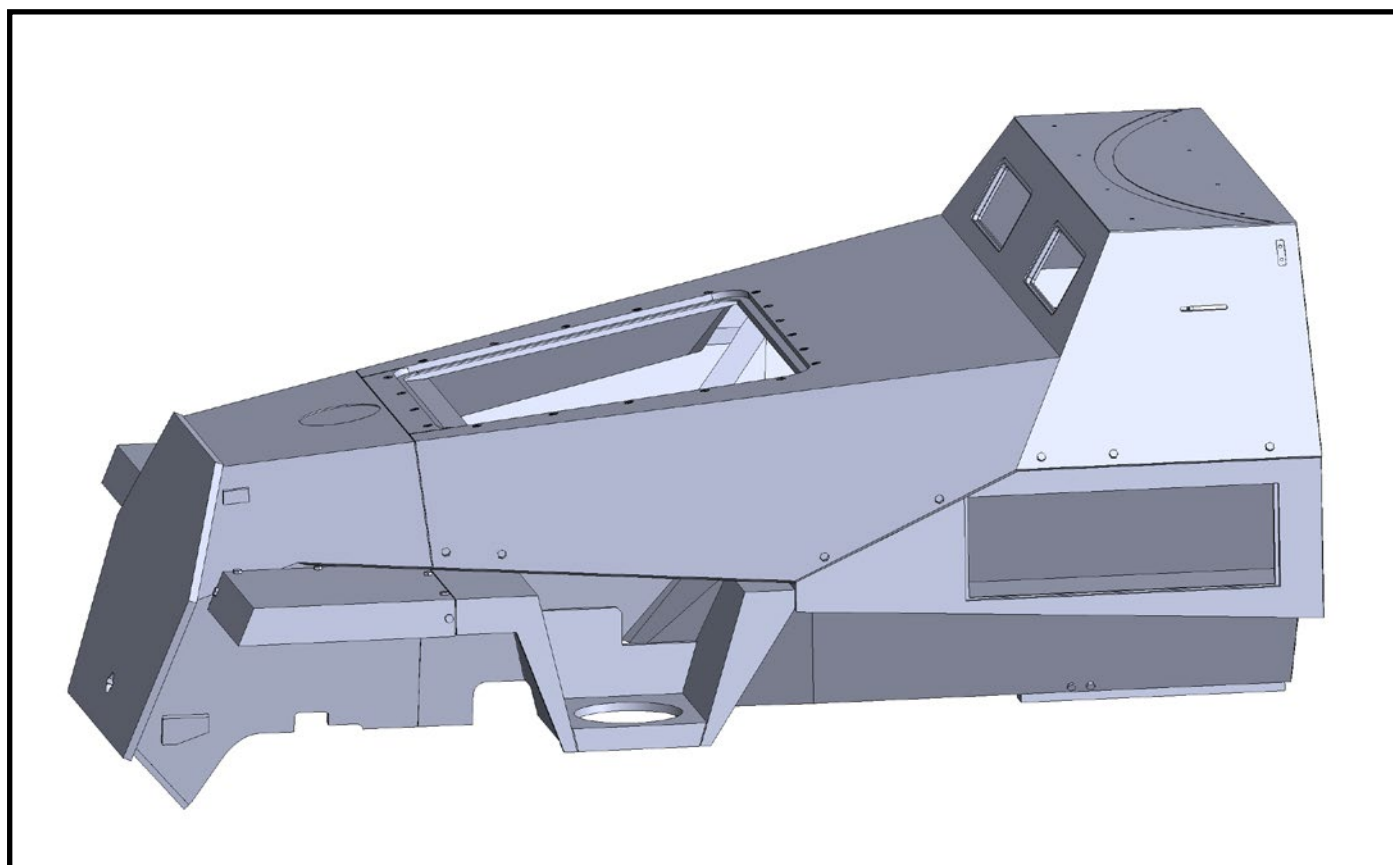
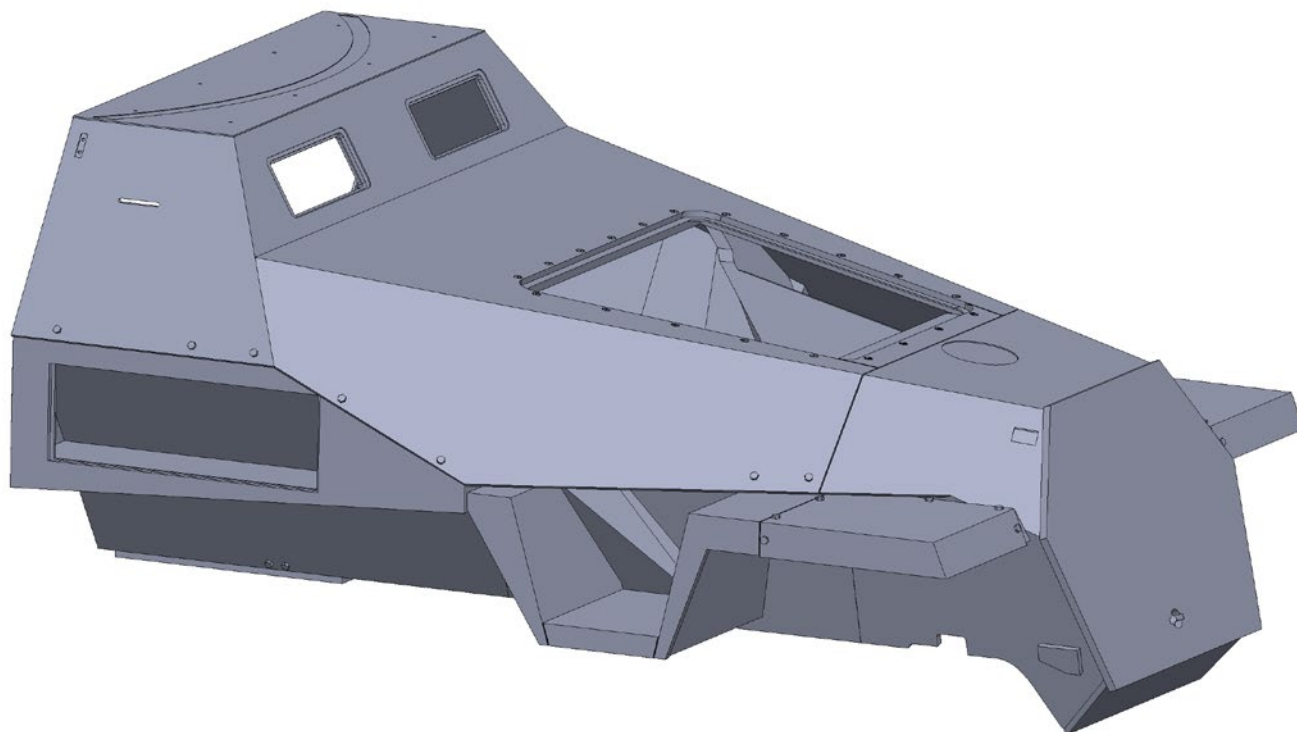
Glue the plastic bolts BOLT-05 (6 pieces) onto part 03-09F.



Glue assemblies 03-09D and 03-09F to part 03-09A/B.

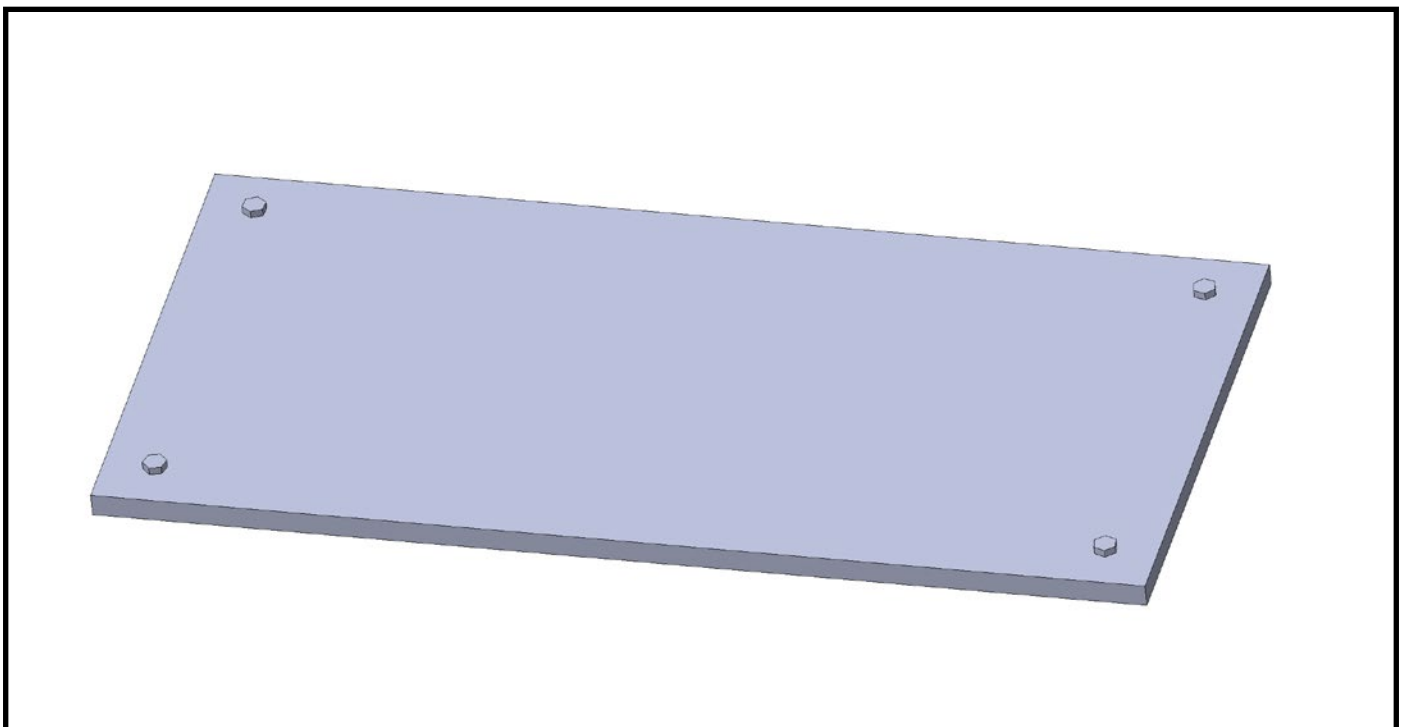
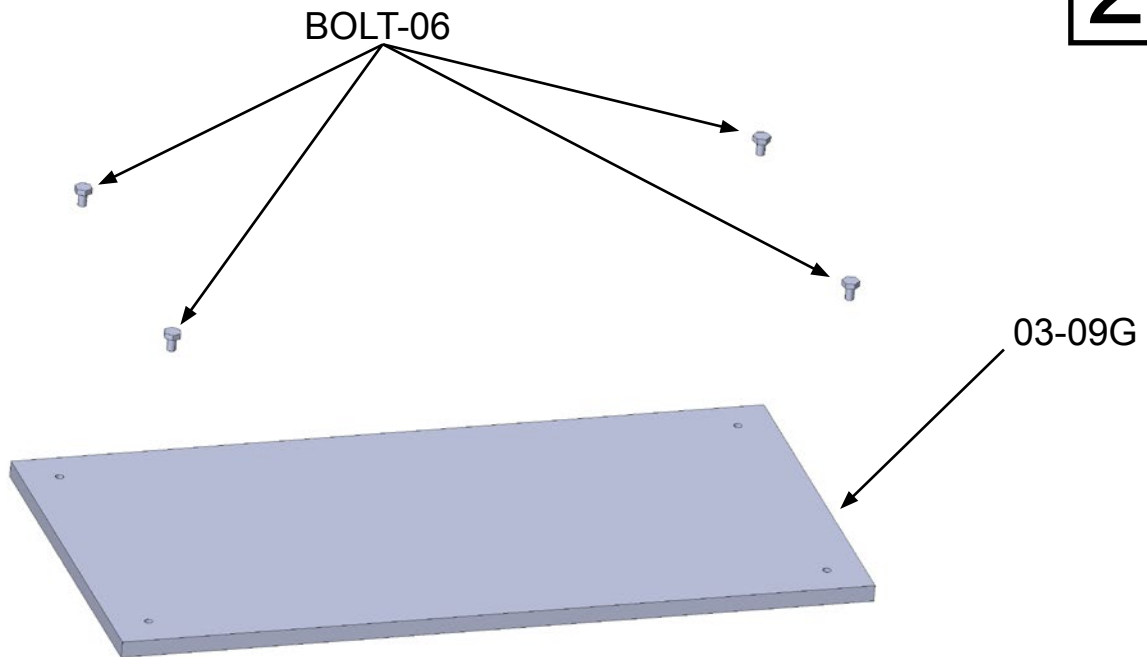


Glue the plastic bolts BOLT-05 (14 pieces) onto part 03-09A.



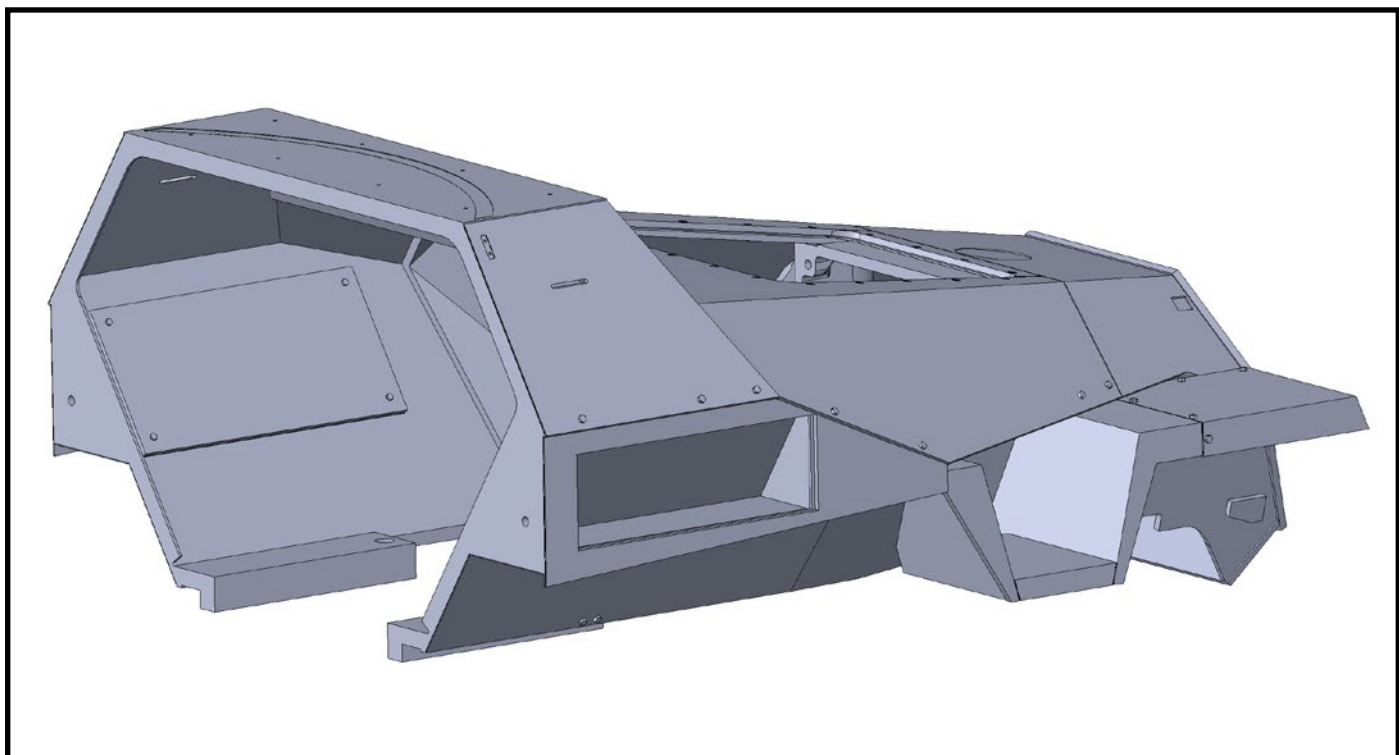
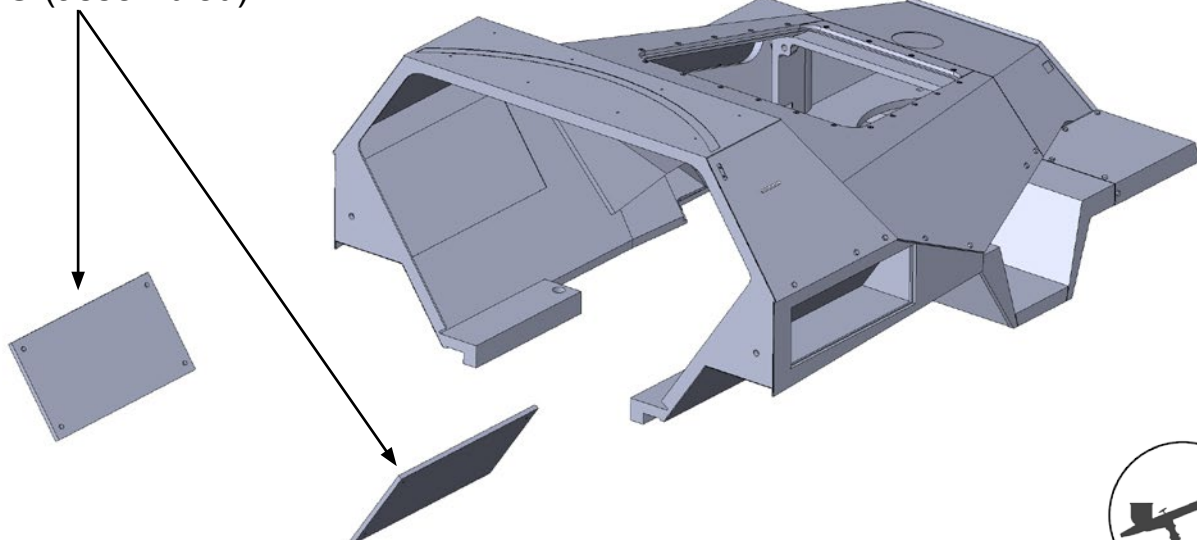
Auxiliary views for installation of BOLT-05.

2x

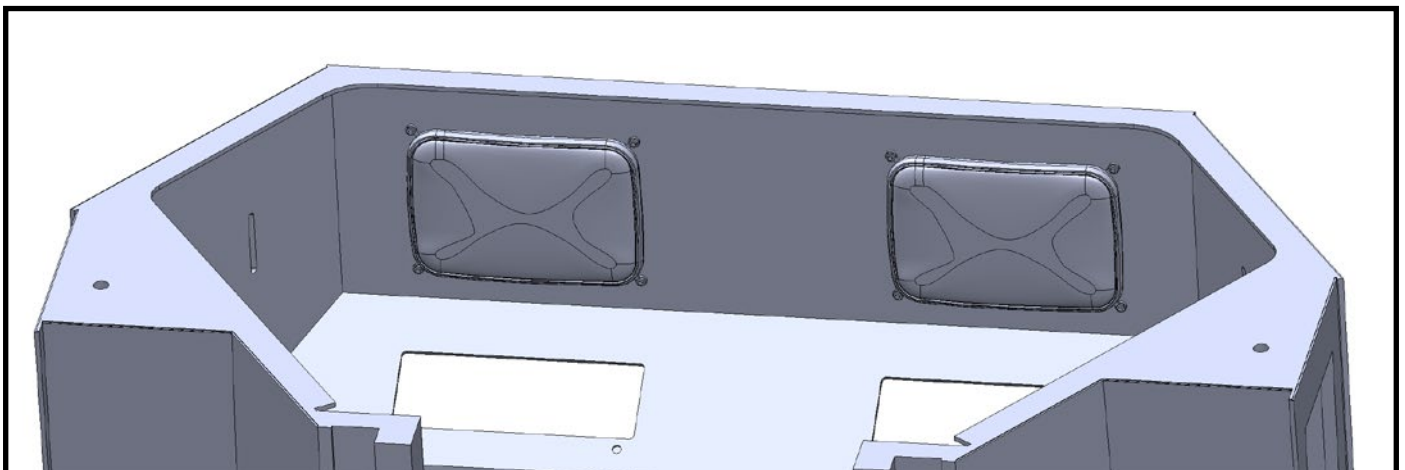
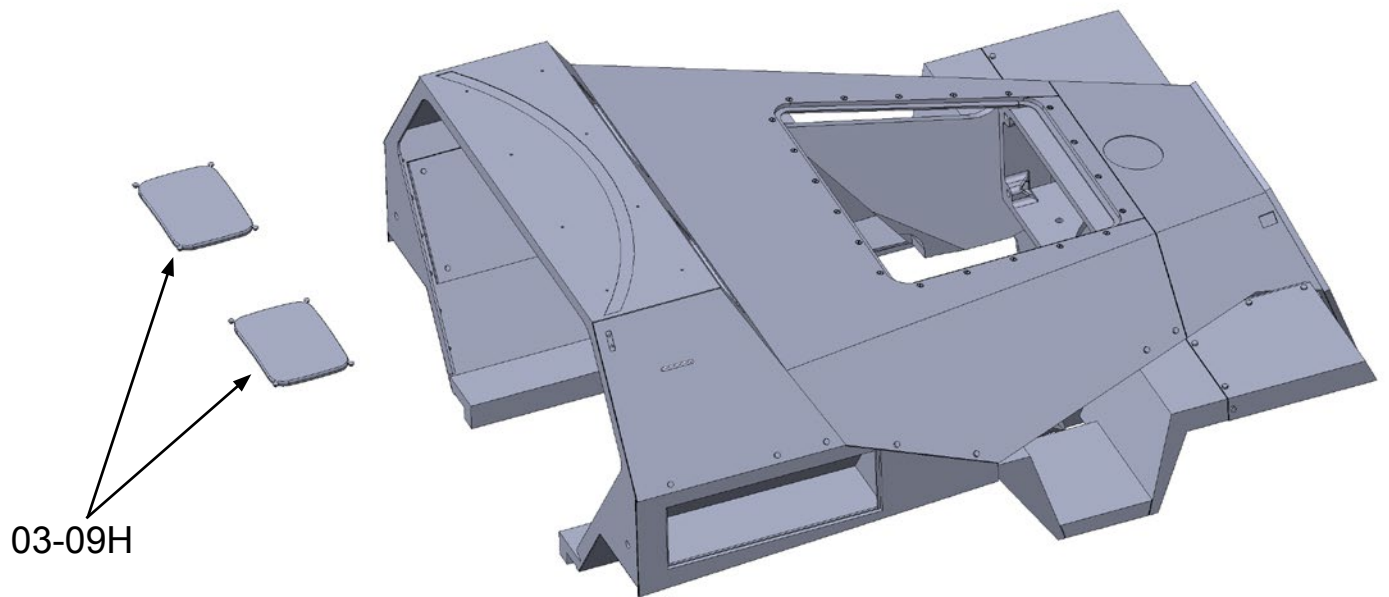


Glue the plastic bolts BOLT-06 (4 pieces) onto part 03-09G (two times).

03-09G (assembled)

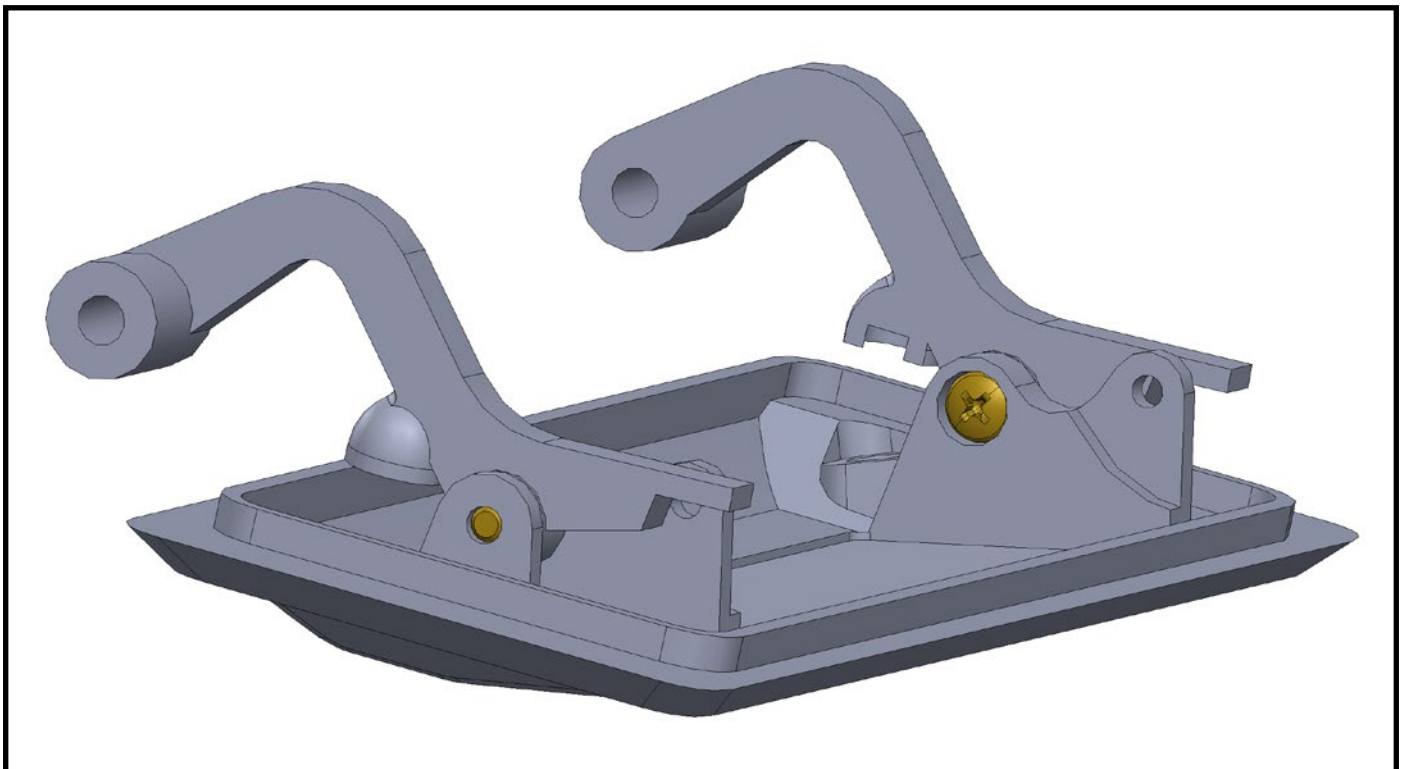
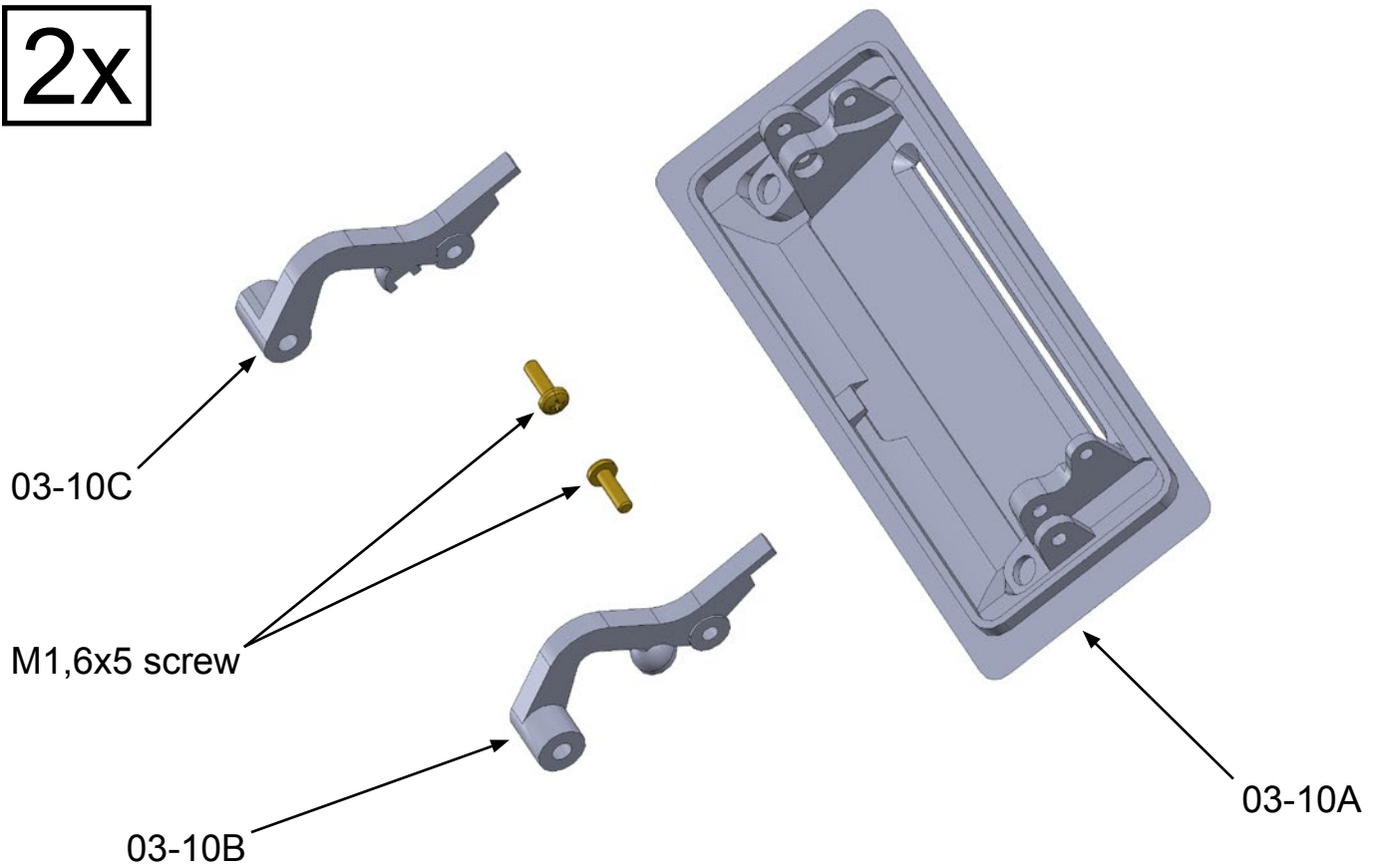


Glue parts 03-09G to part 03-09A.
Paint the inner surfaces of part 03-09A.

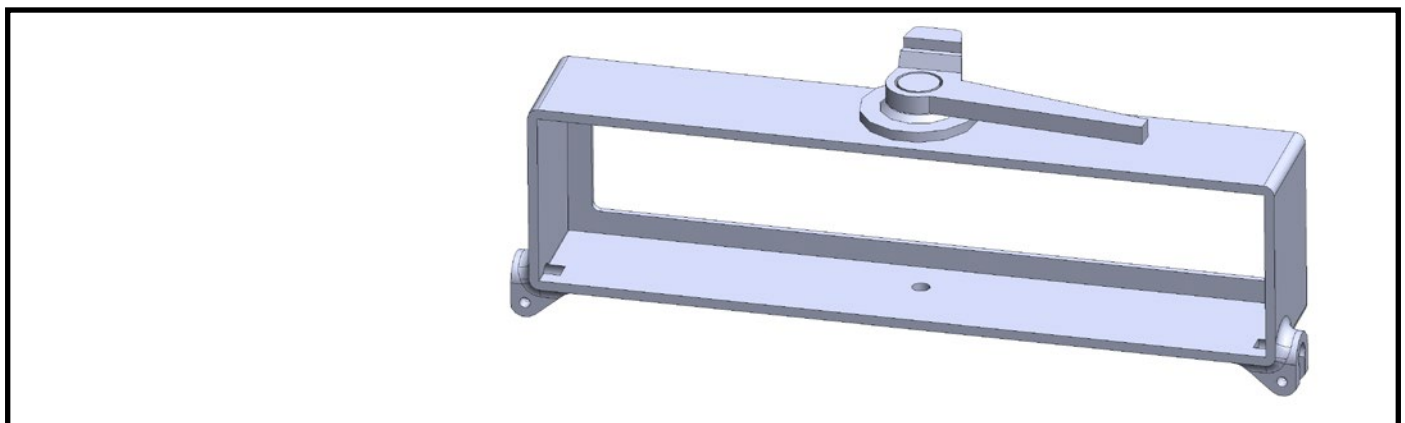
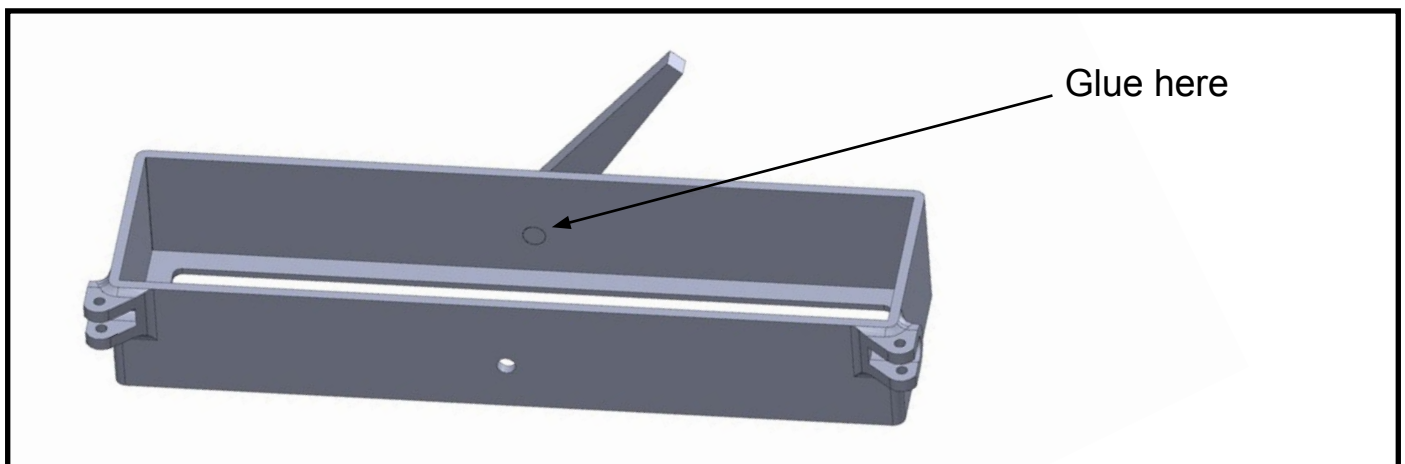
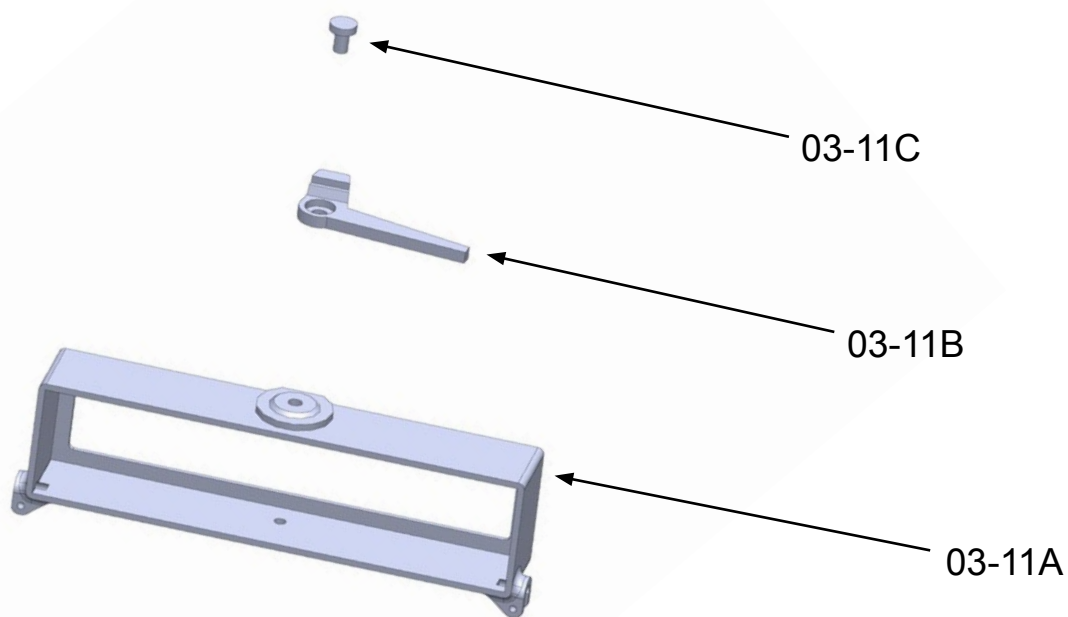


Paint parts 03-09H. Then glue them into part 03-09A.

2x

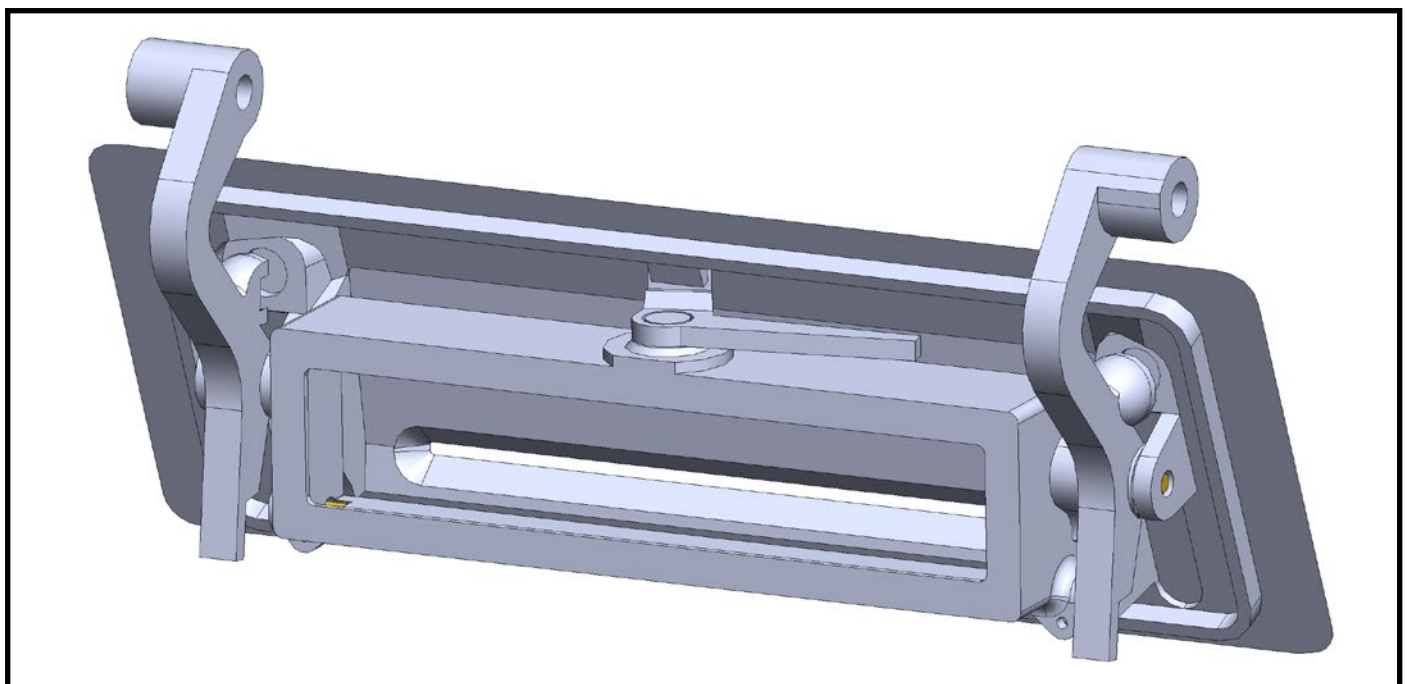
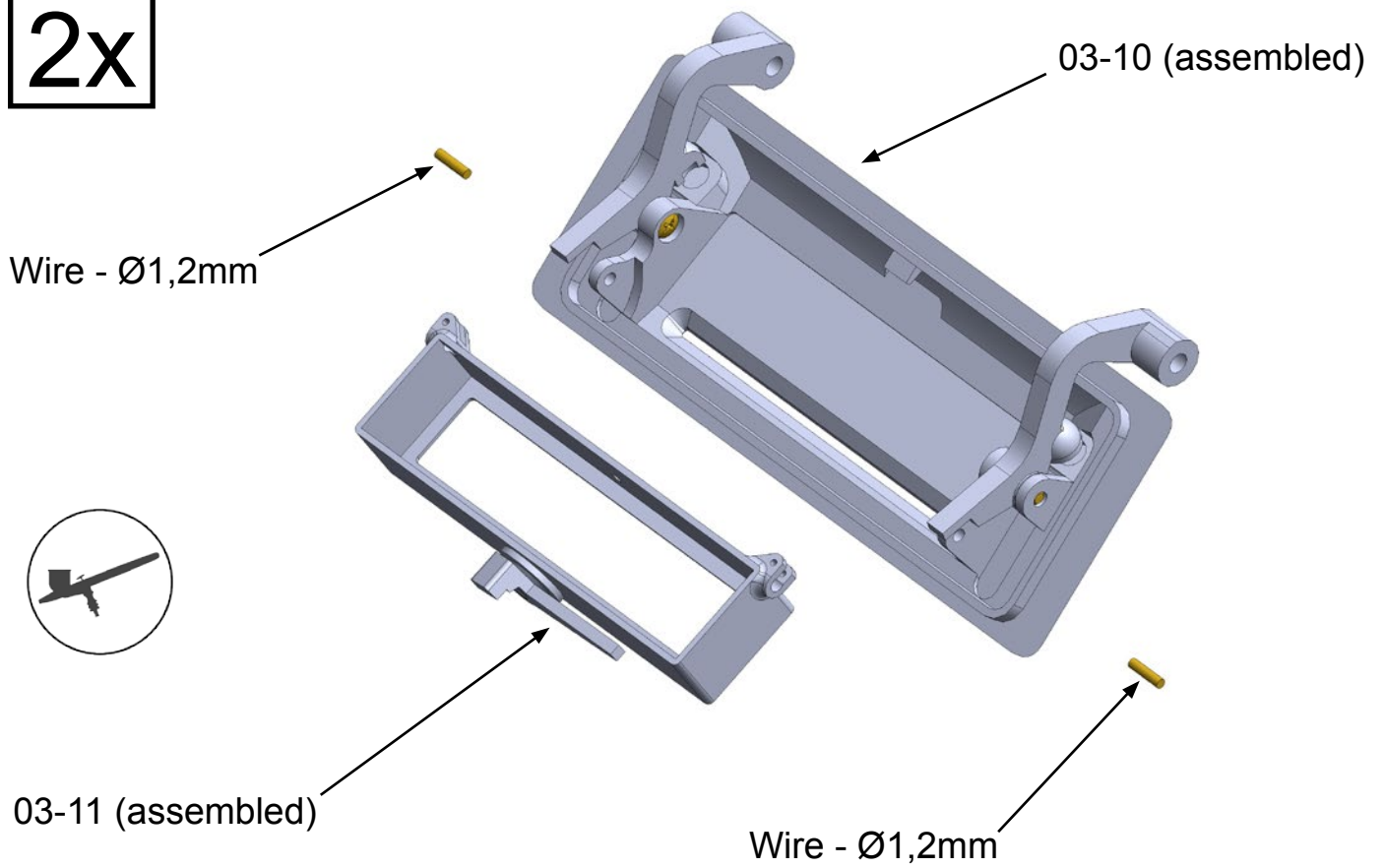


Attach parts 03-10B and 03-10C to part 03-10A using two M1.6x5mm screws.
Repeat twice.



Attach part 03-11C to part 03-11A using part 03-11B.
Do not apply glue to part 03-11B. The part must be able to move.
Apply glue only to the inside of part 03-11A (picture in the middle).
Repeat twice.

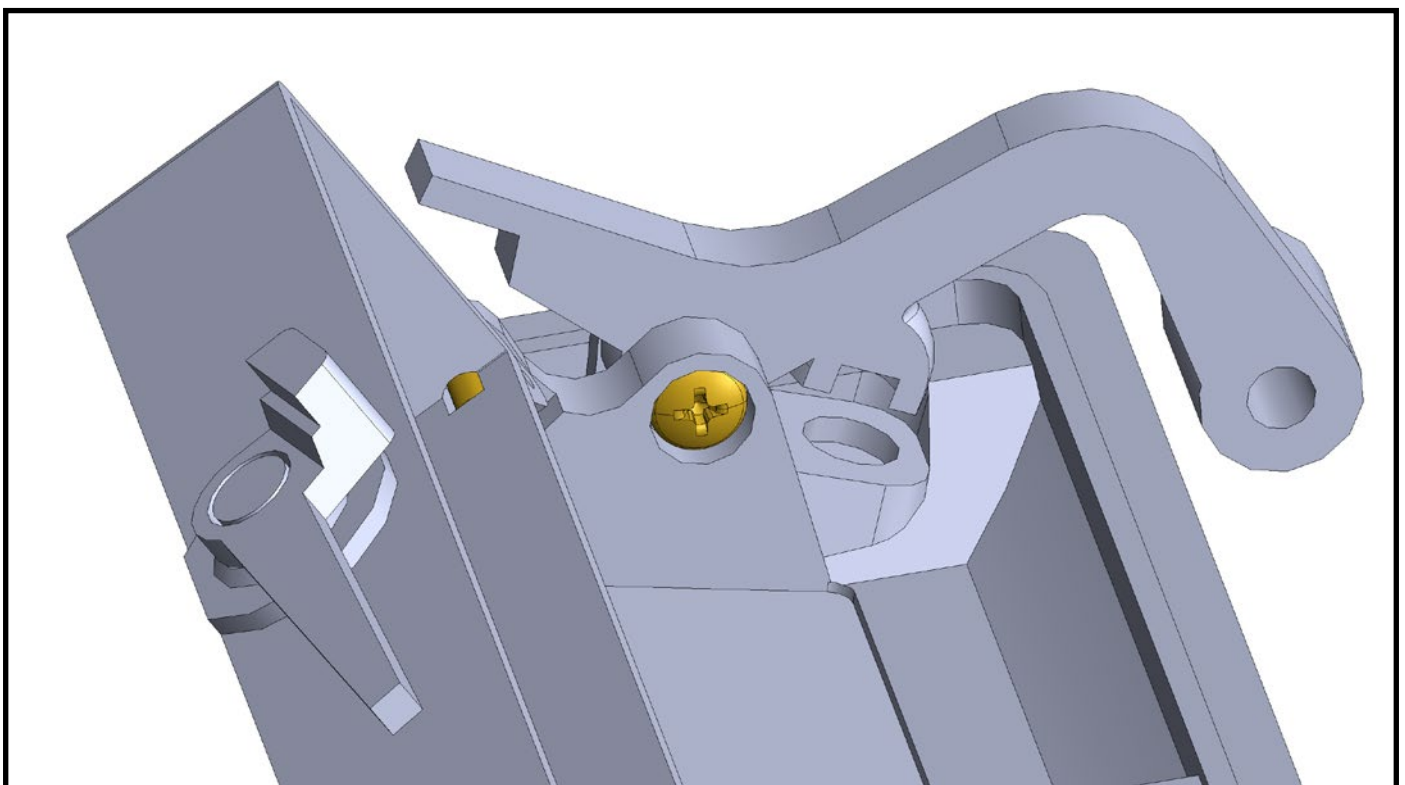
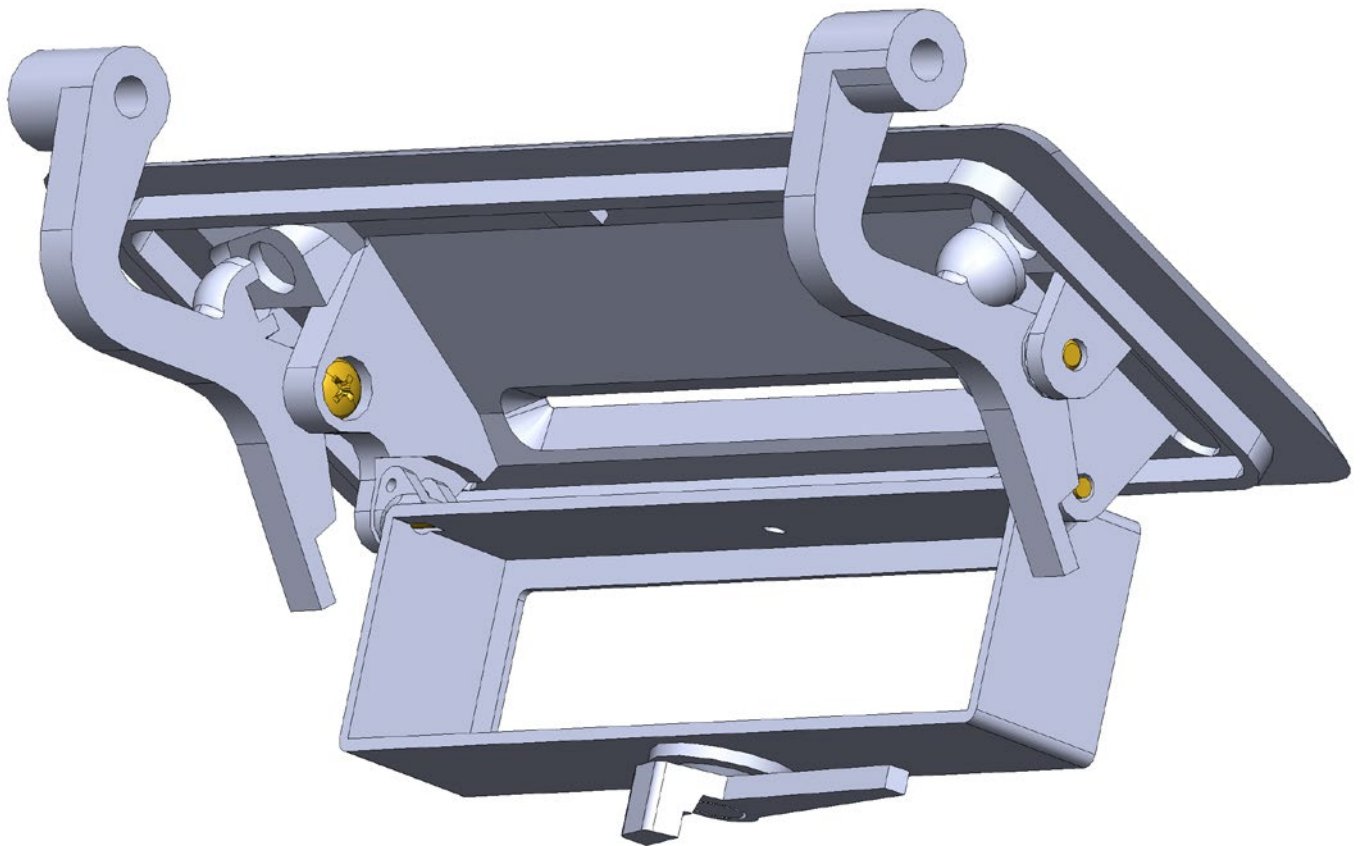
2x



Paint all parts before or after this step.

Connect assemblies 03-10 and 03-11 using a 1,2 mm diameter wire.

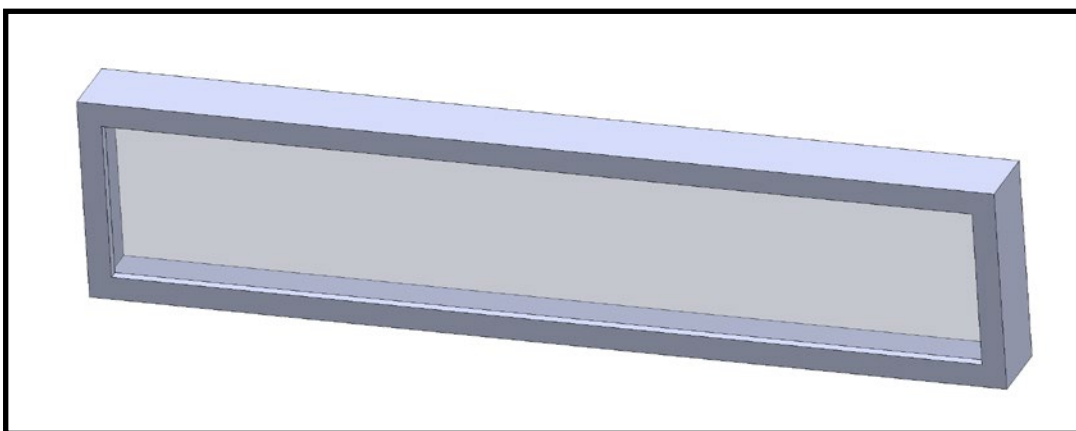
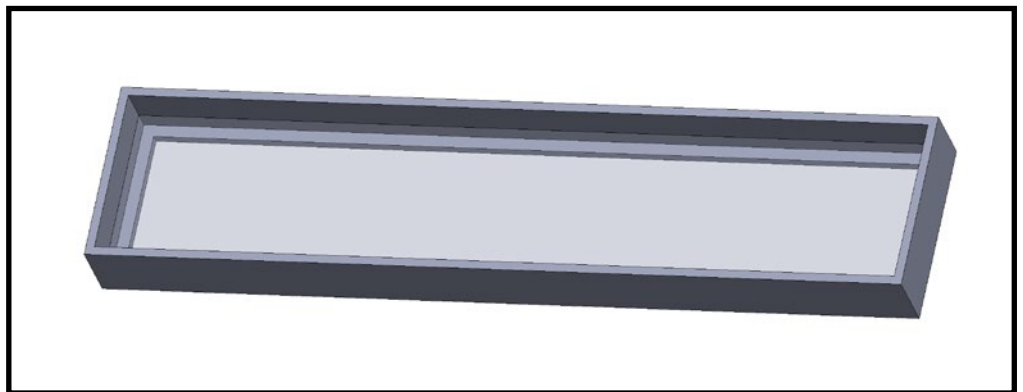
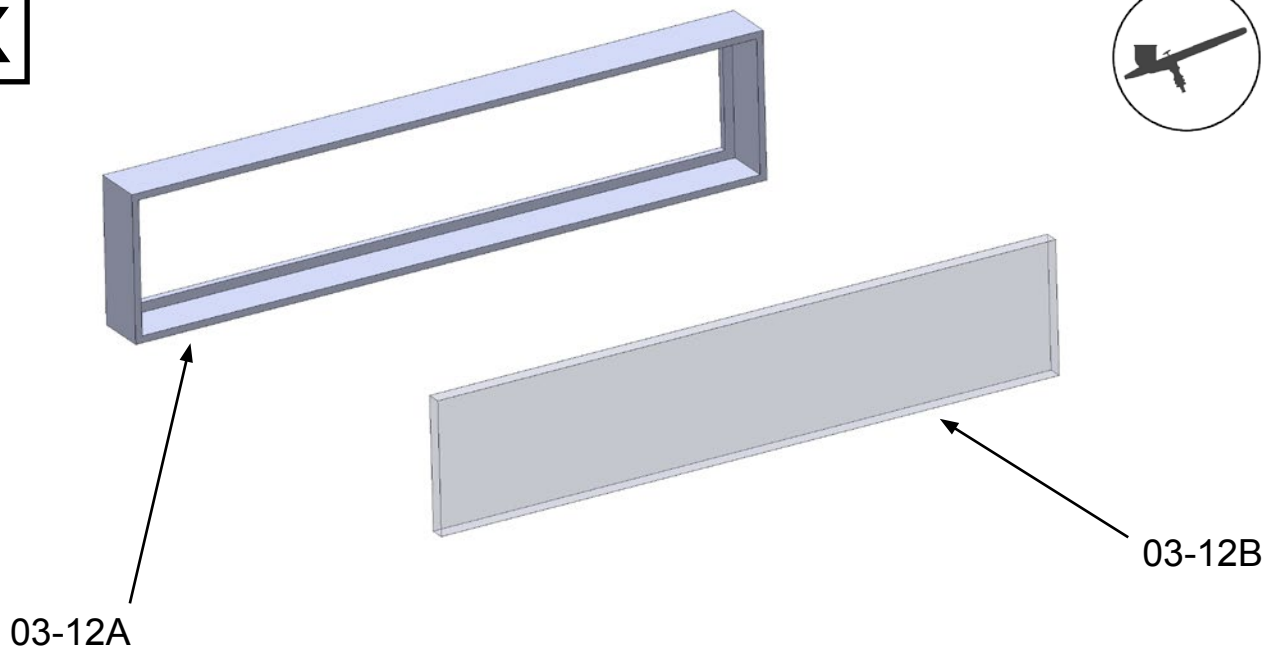
Apply a drop of glue to the outer end of the wires to prevent them from falling out.



Auxiliary views for installation of assemblies 03-10 and 03-11.

152

Assembly 03 - Upper Hull - Visors

8x

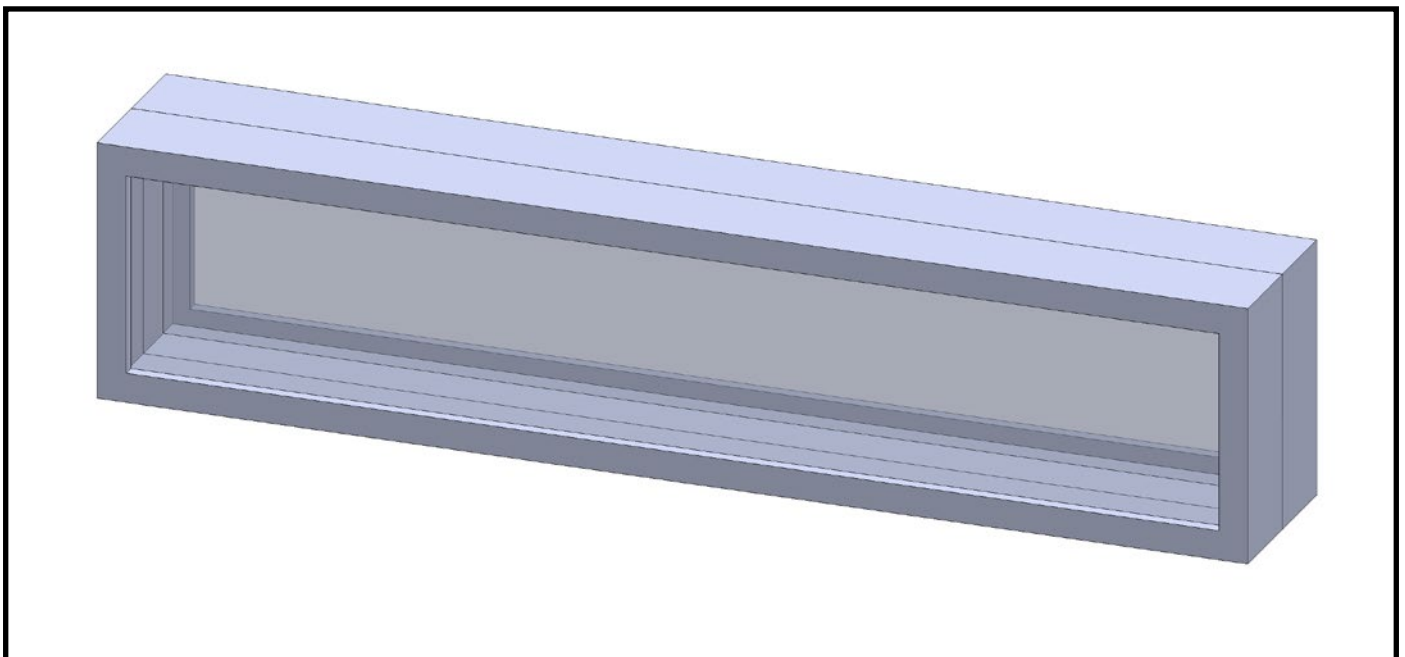
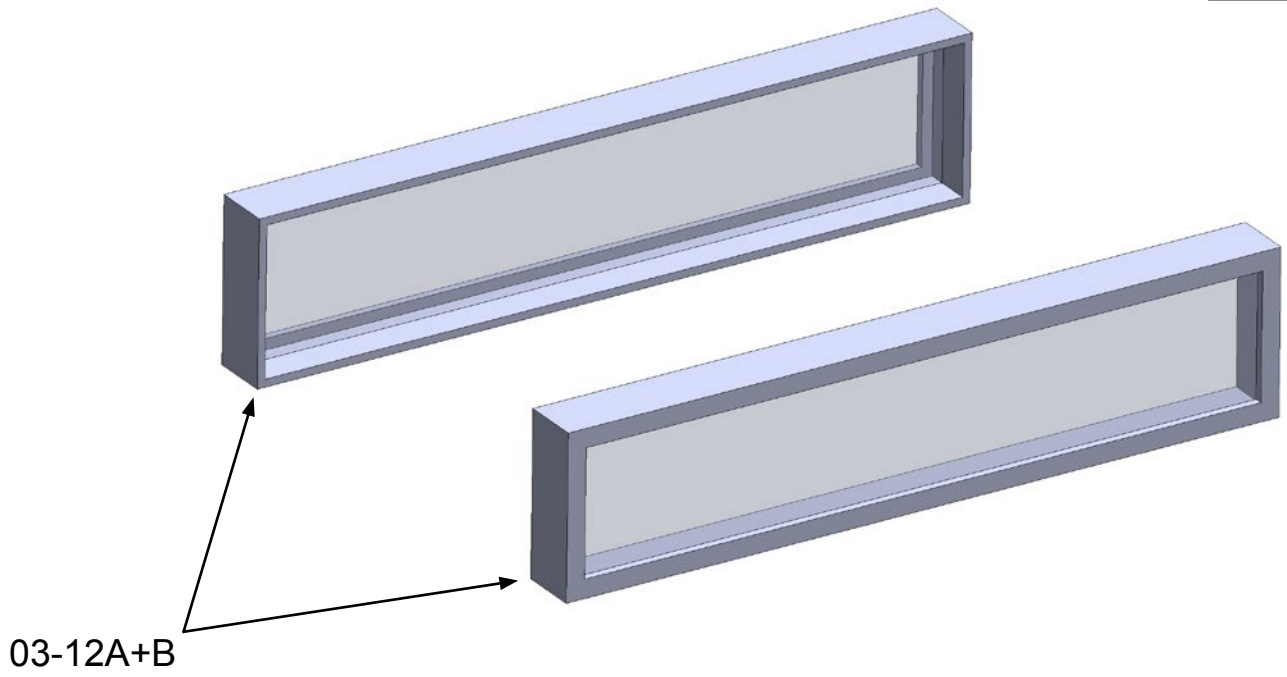
Paint all parts 03-12A before this step!

Glue plexiglass 03-12B into part 03-12A. Repeat 8 times.

Do not use superglue, as it leaves a white coating on the plexiglass.

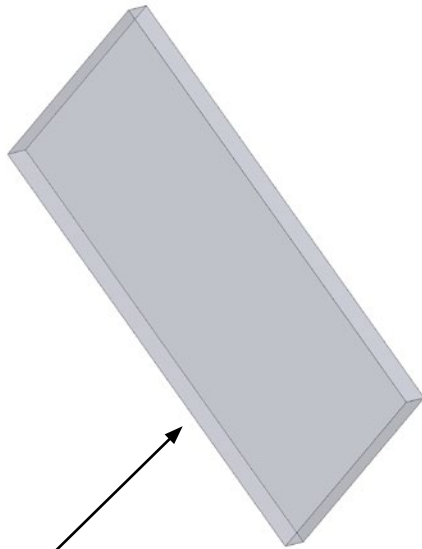
We recommend transparent epoxy.

4x

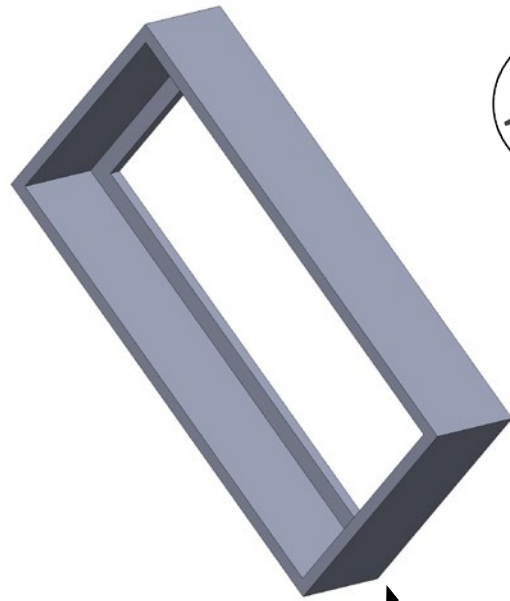


Glue two assemblies 03-12 together. Repeat 4 times.
We recommend using transparent epoxy in this step as well.

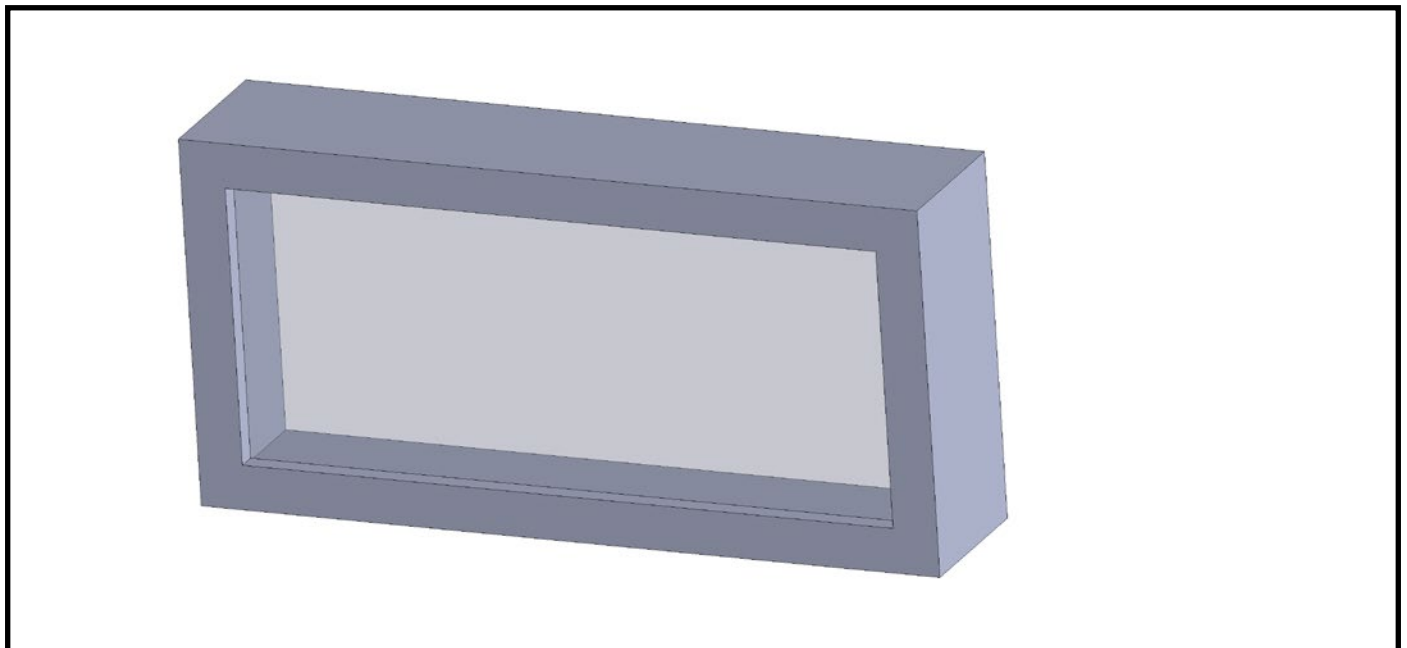
8x



03-13B



03-13A



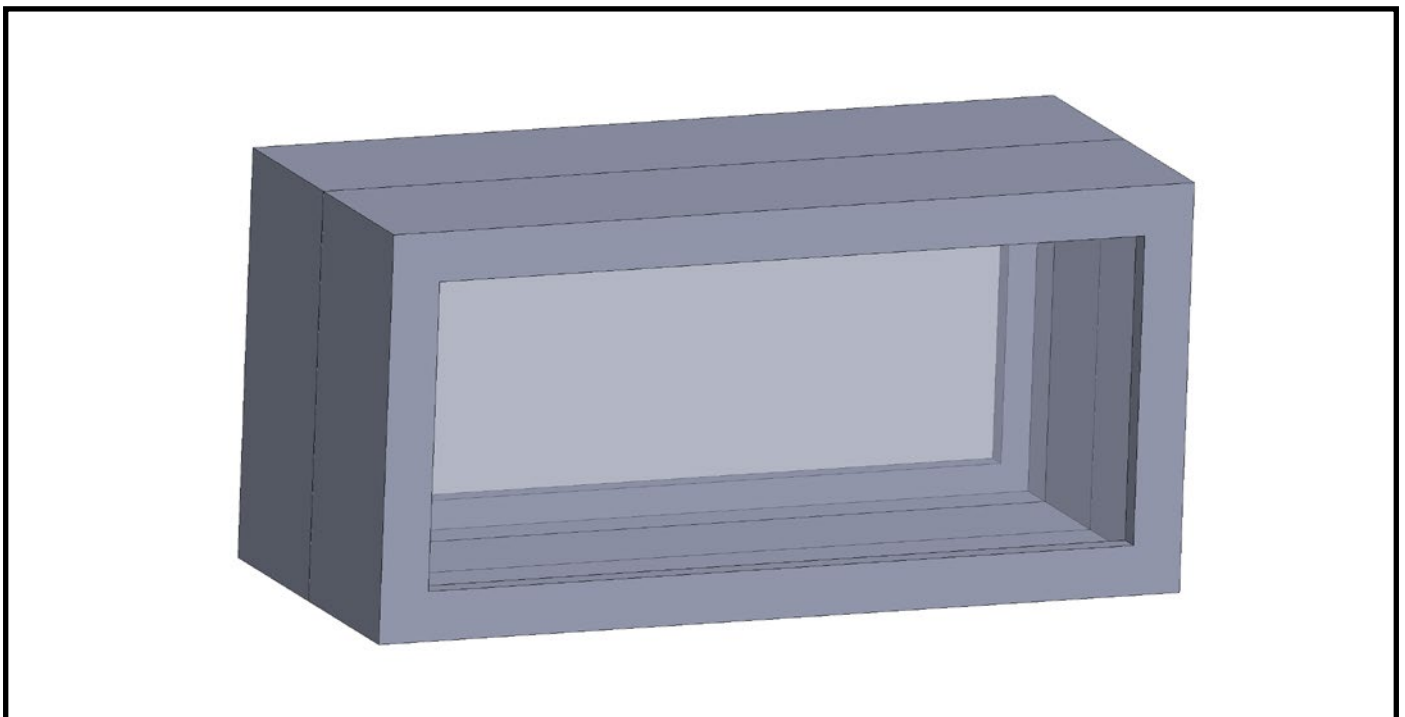
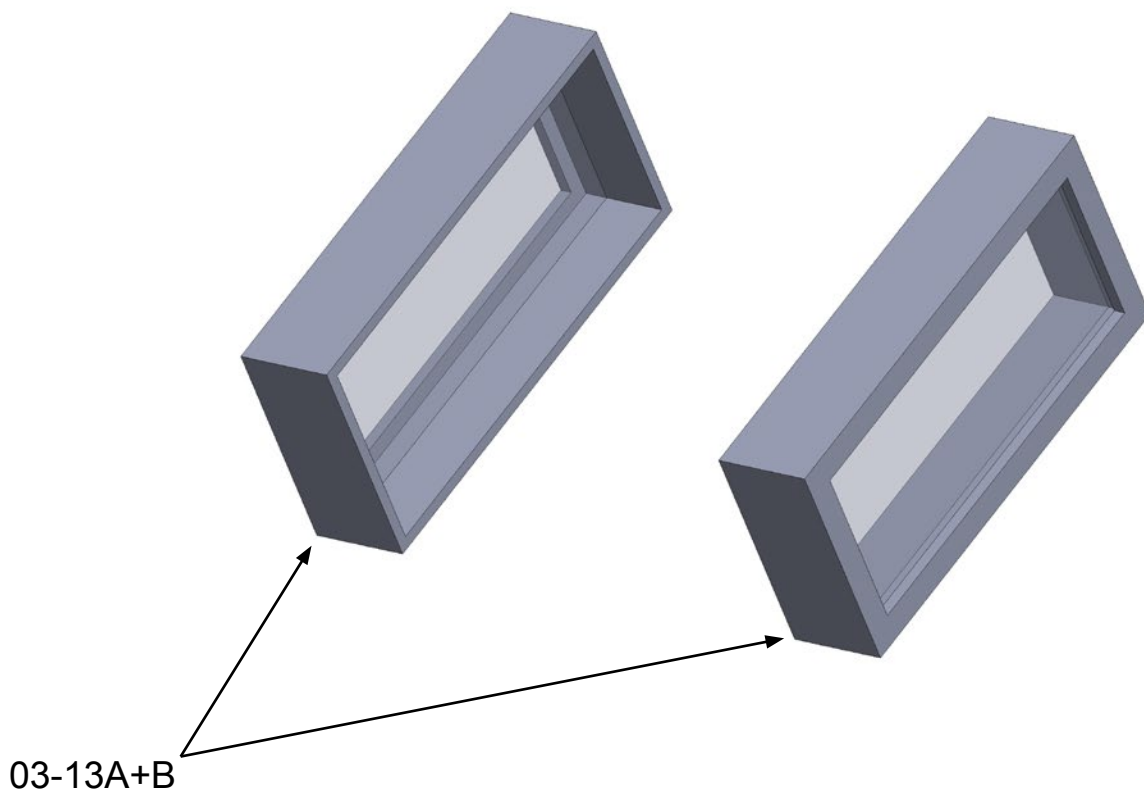
Paint all parts 03-13A before this step!

Glue plexiglass 03-13B into part 03-13A. Repeat 8 times.

Do not use superglue, as it leaves a white coating on the plexiglass.

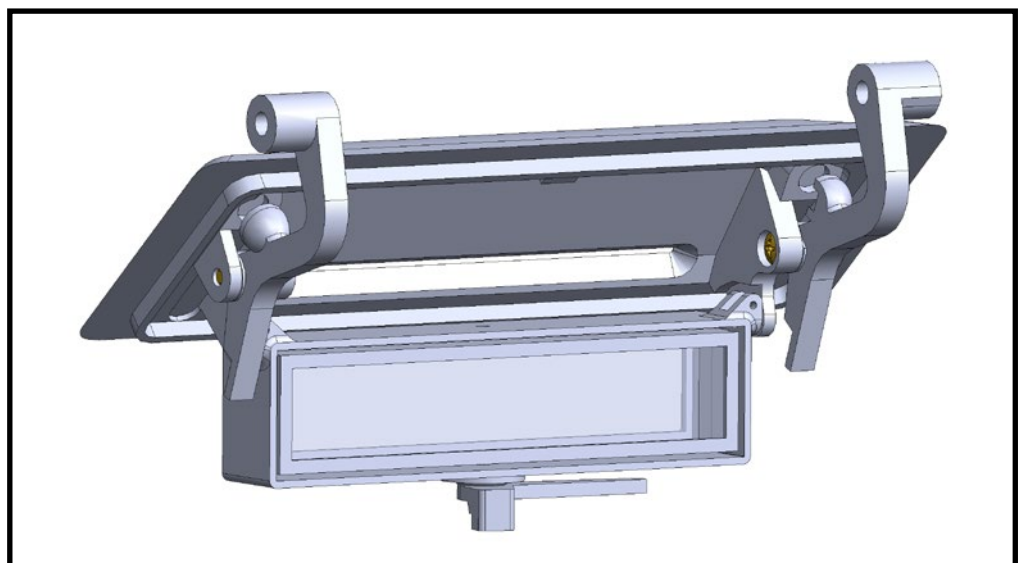
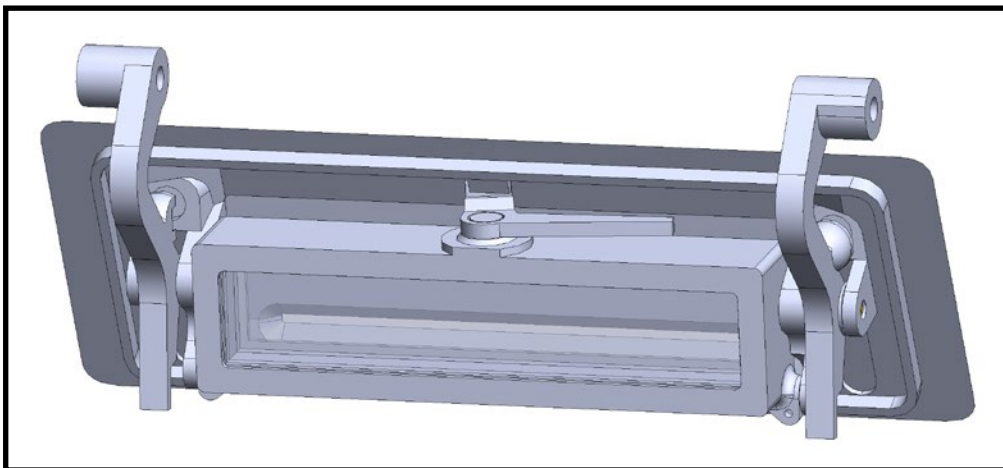
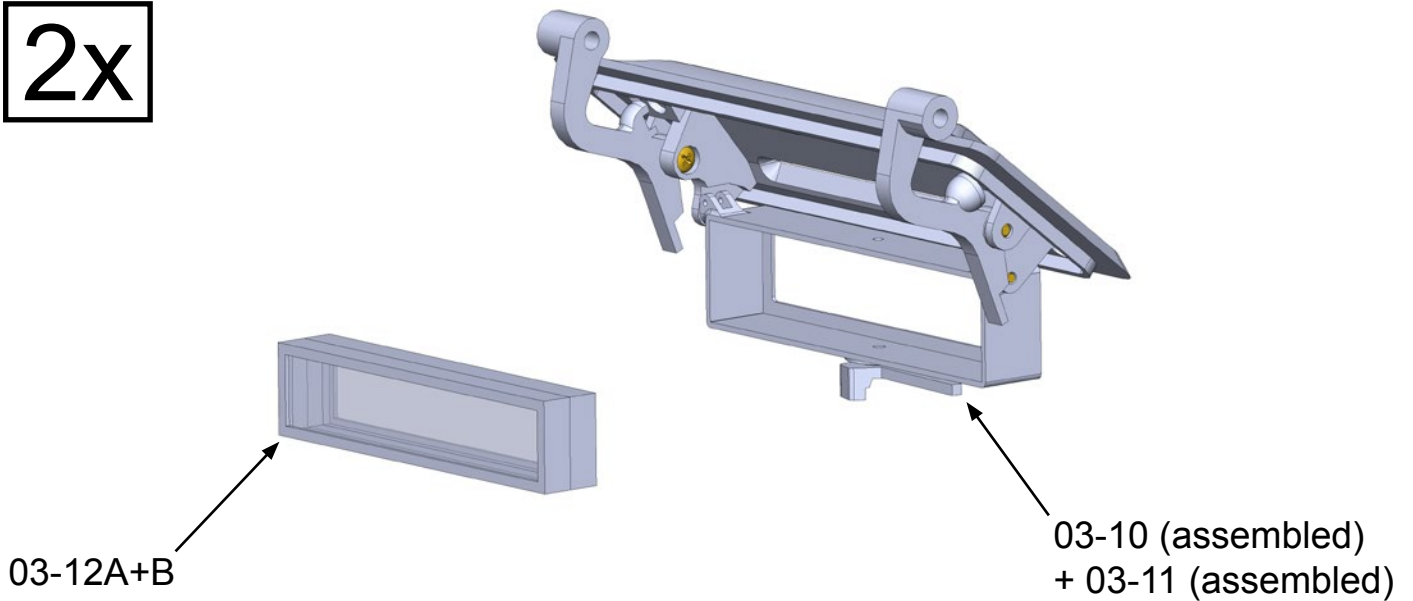
We recommend transparent epoxy.

4x

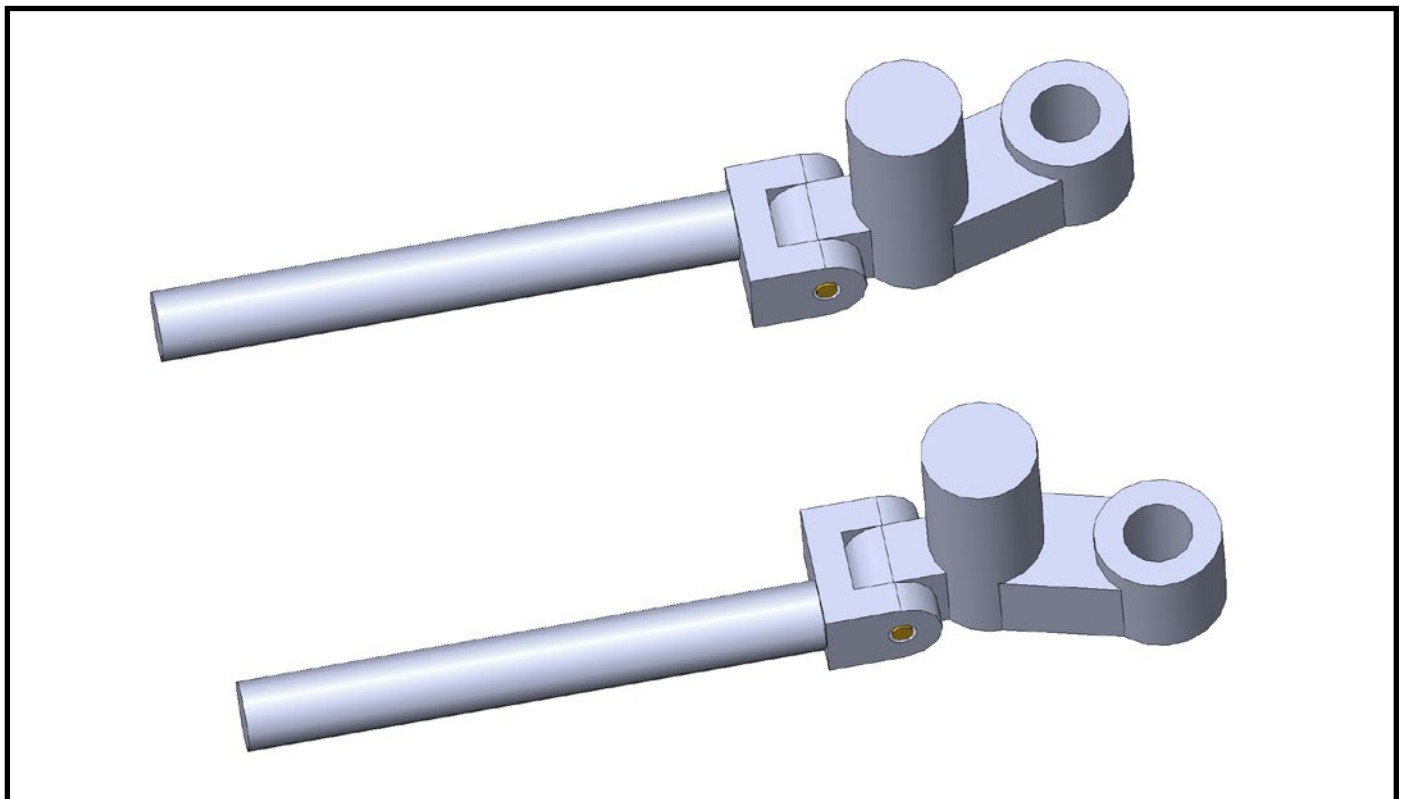
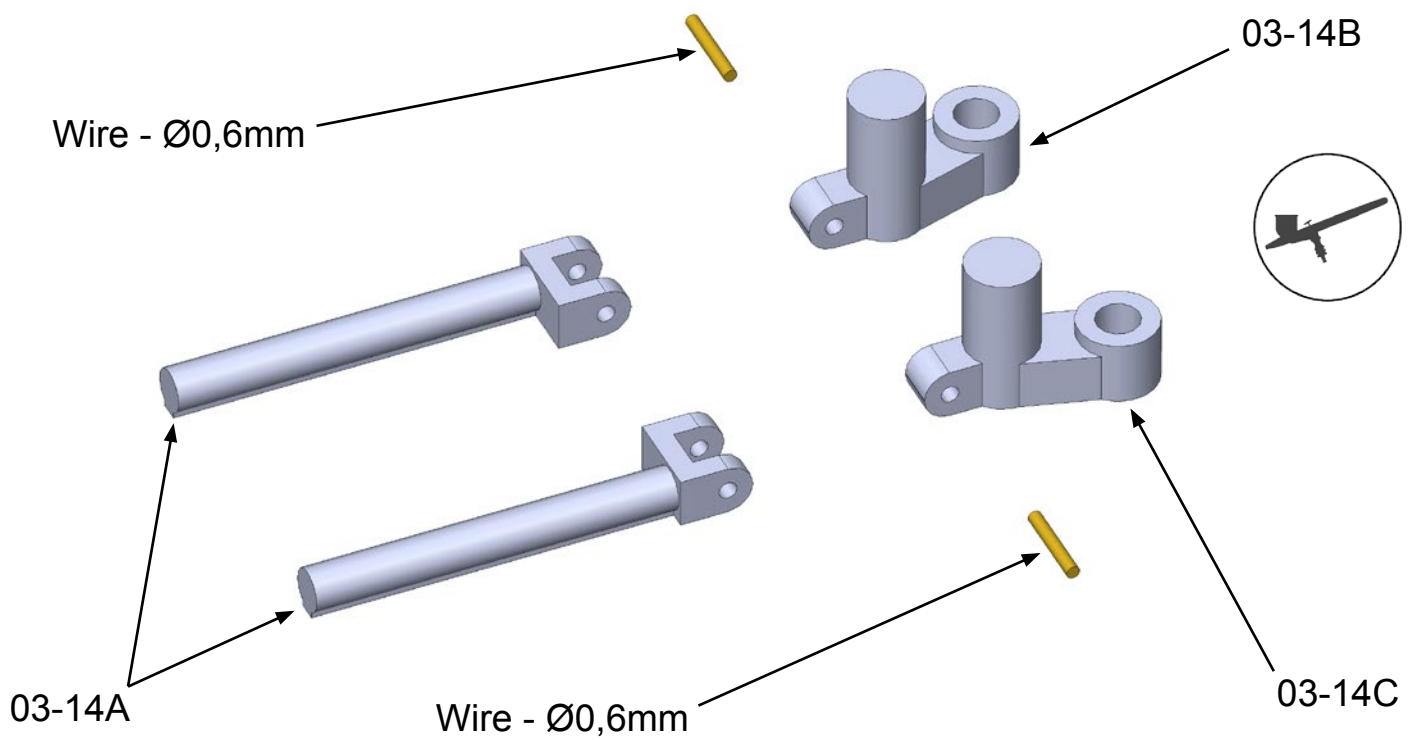


Glue two assemblies 03-13 together. Repeat 4 times.
We recommend using transparent epoxy in this step as well.

2x

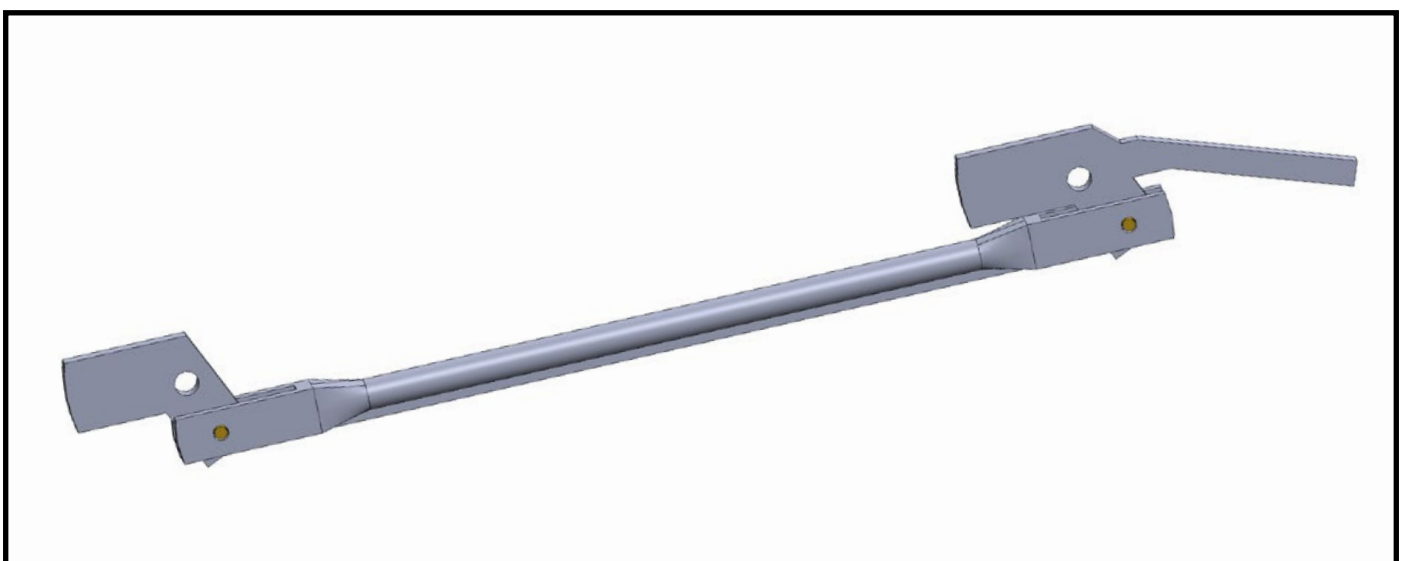
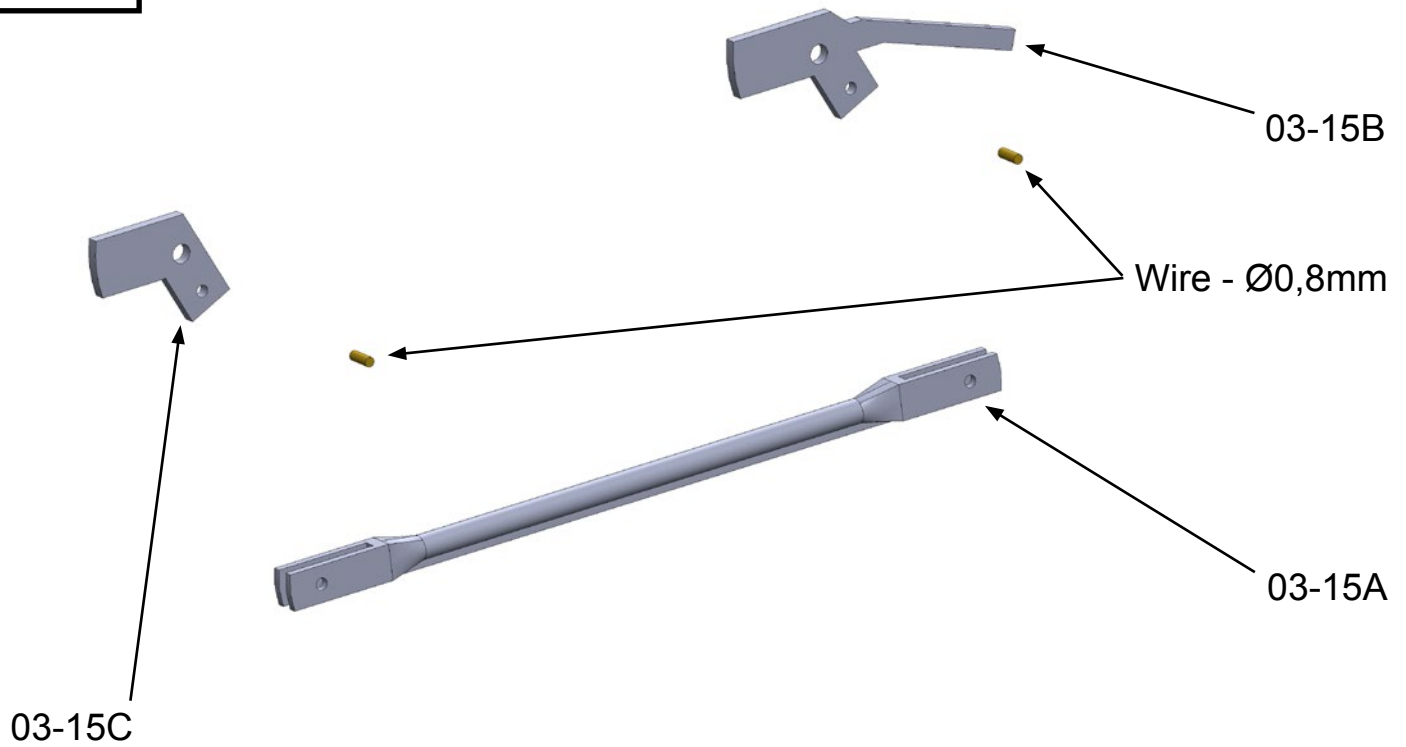


Glue one assembly of parts 03-12 into each assembly of parts 03-11.

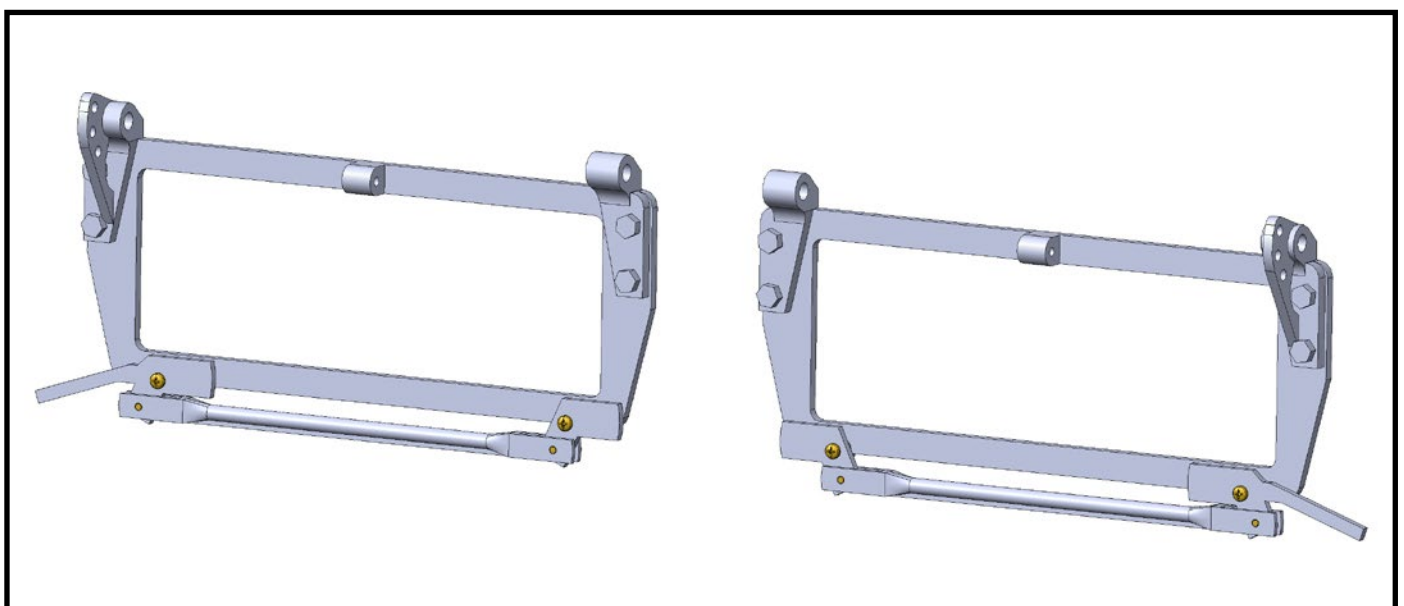
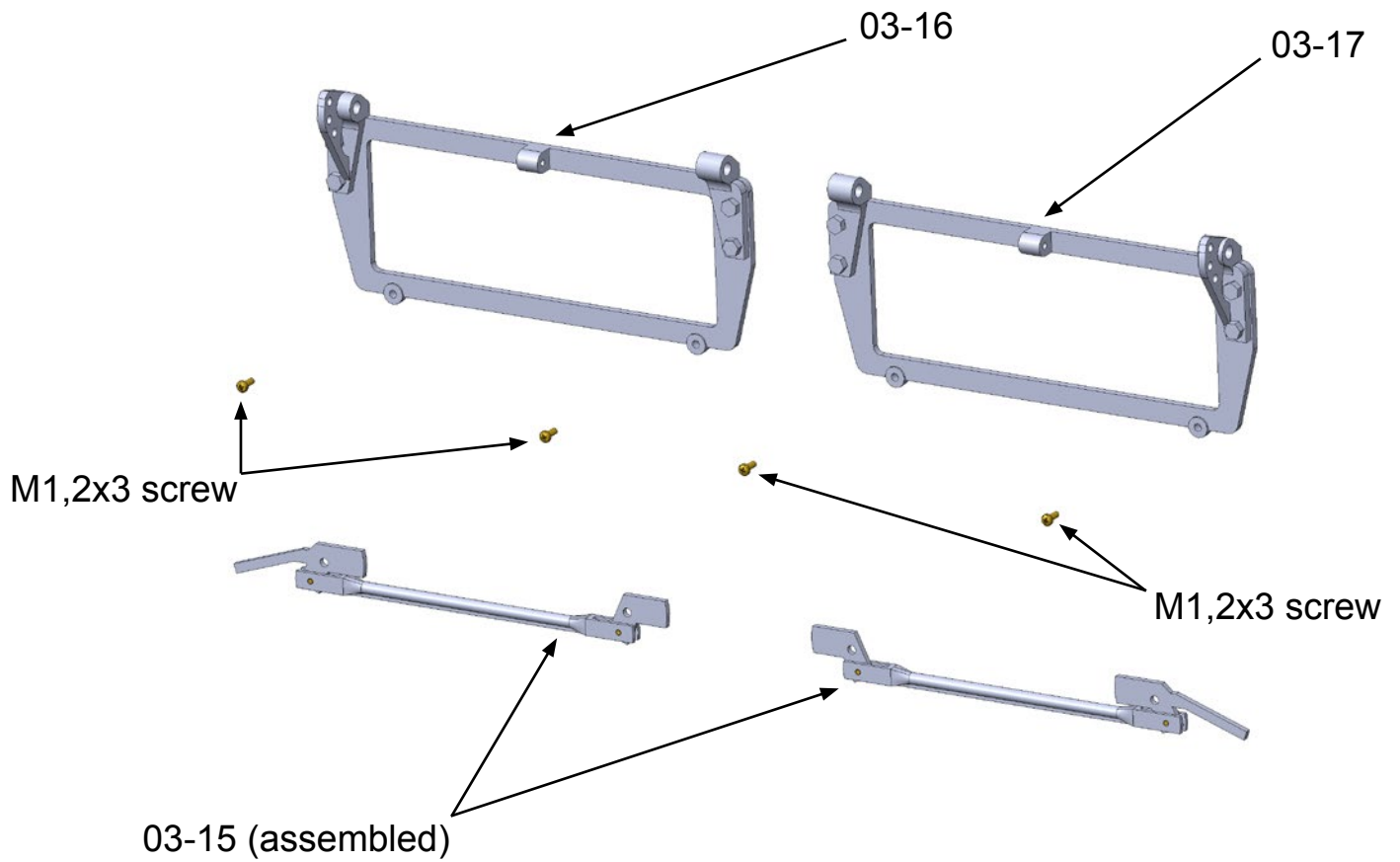


Connect parts 03-14A with parts 03-14B and 03-14C using 0.6 mm diameter wire.
Secure the wire with superglue to prevent it from falling out.
The parts must be able to rotate. Paint the parts.

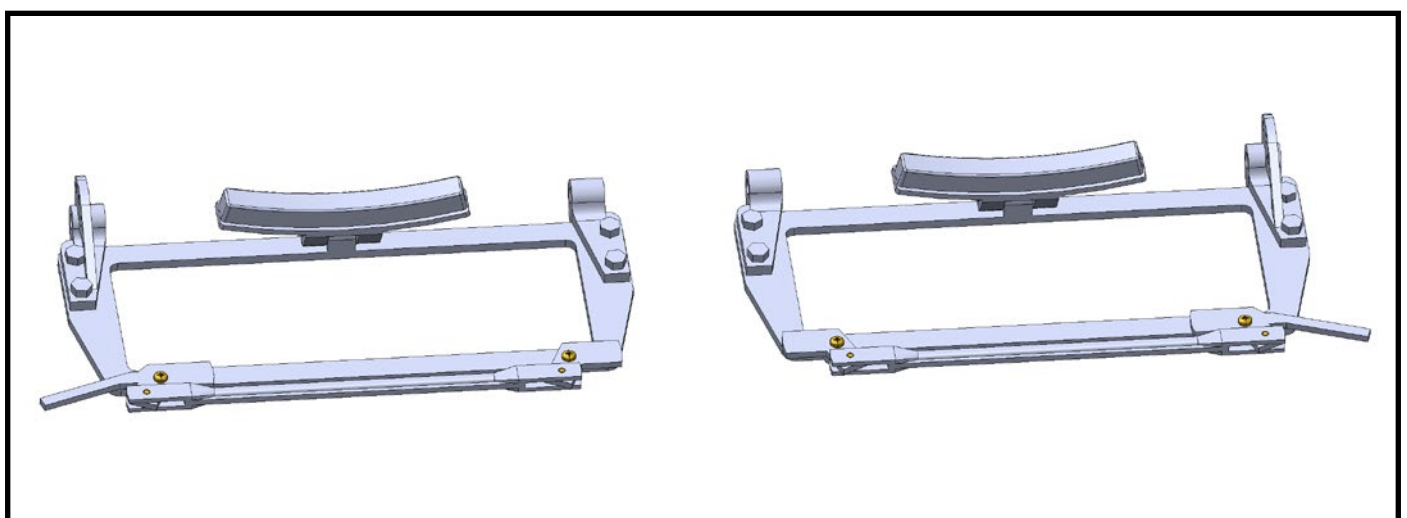
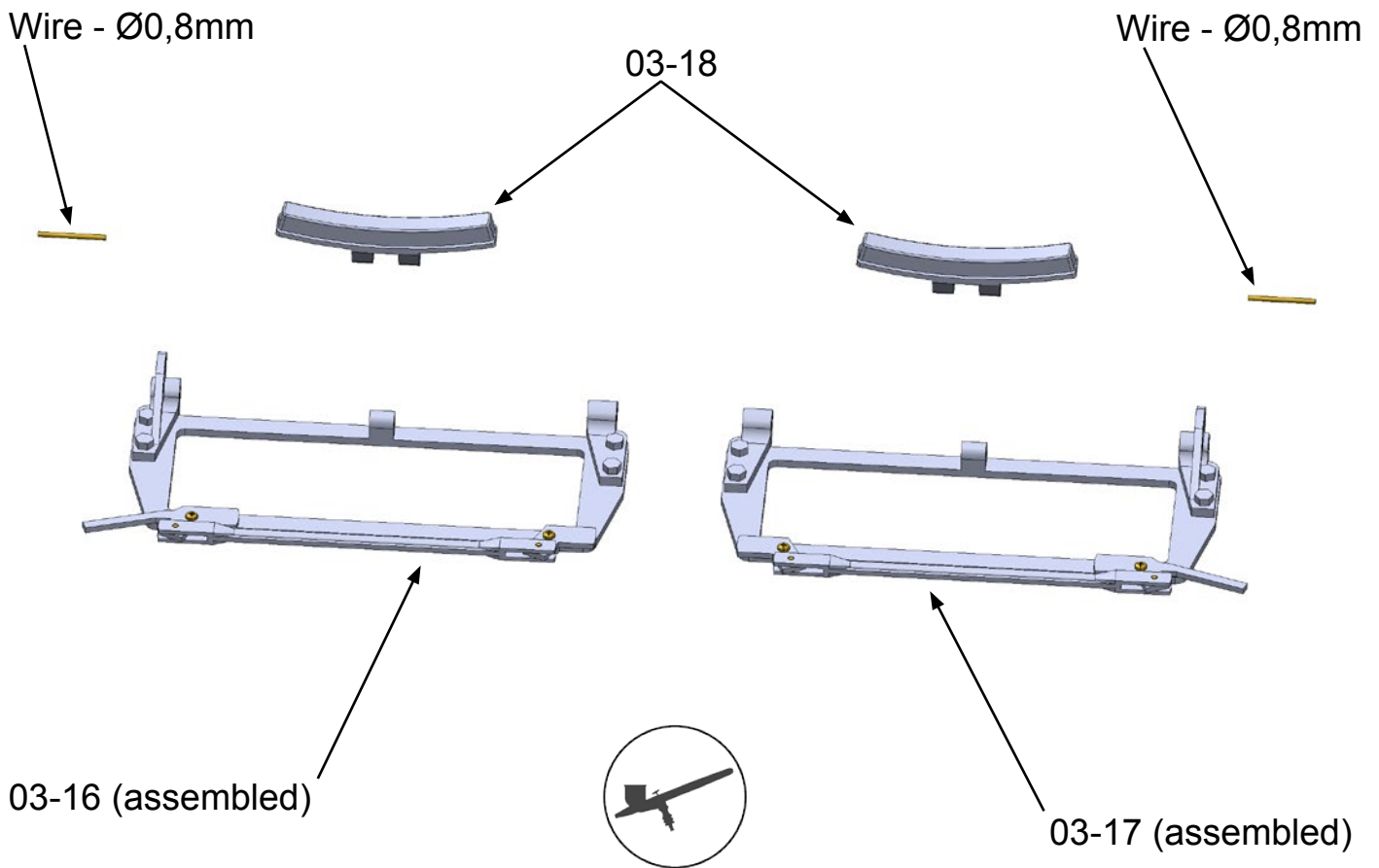
2x



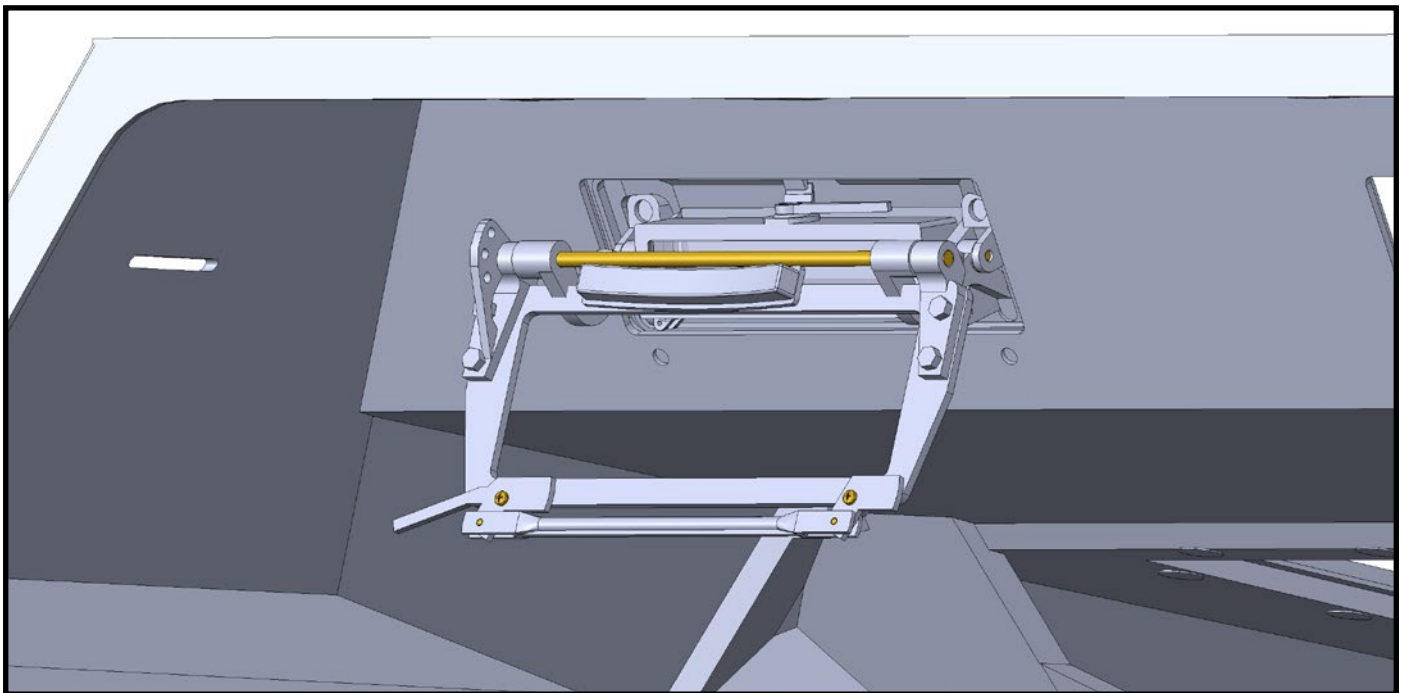
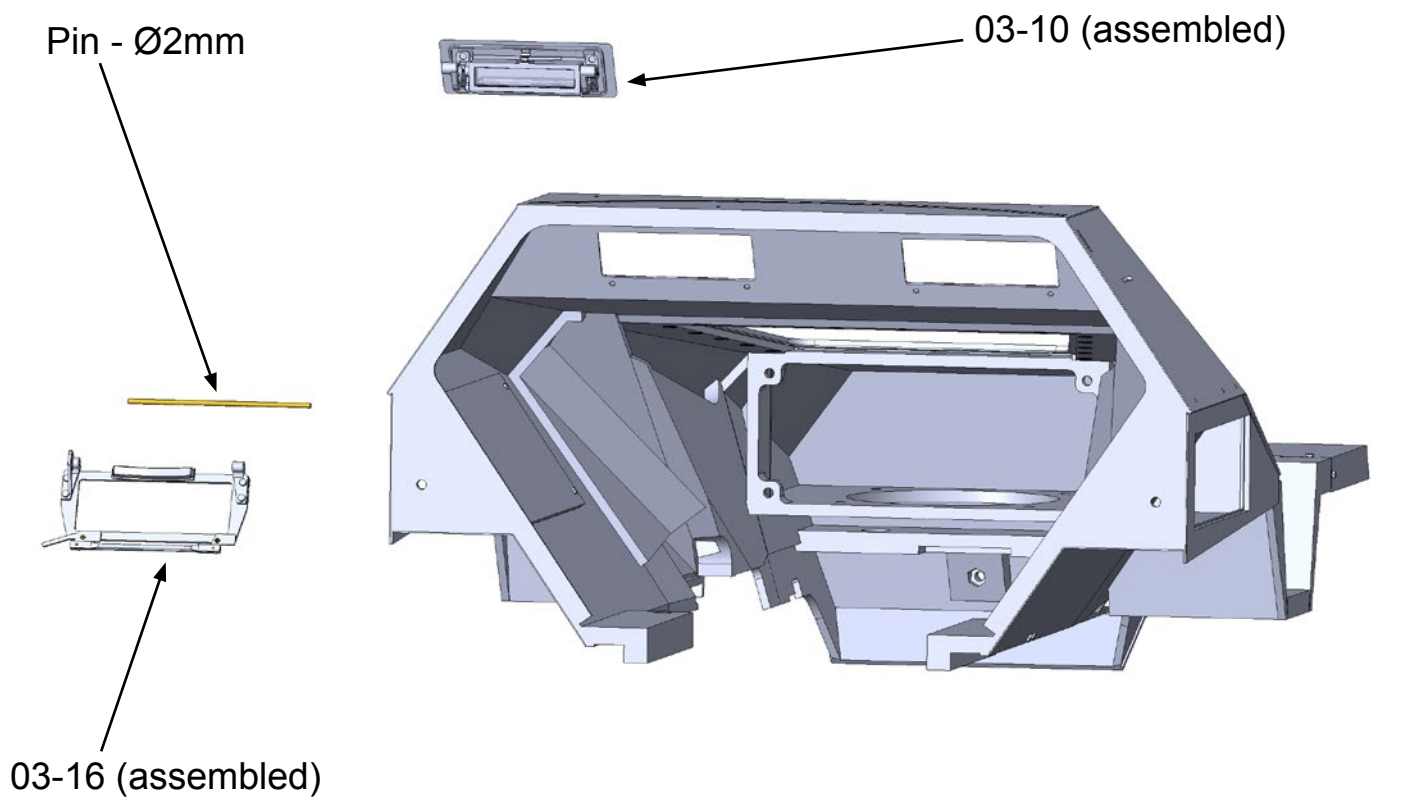
Connect parts 03-15A, 03-15B, and 03-15C using 0.8 mm diameter wire.
Repeat twice.



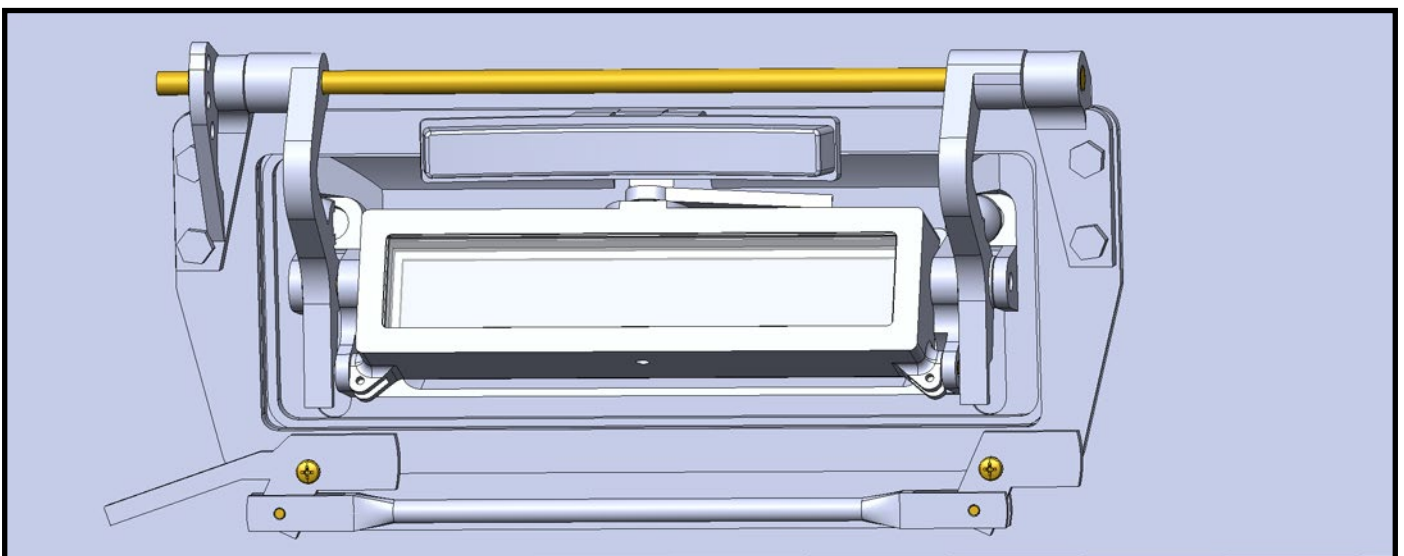
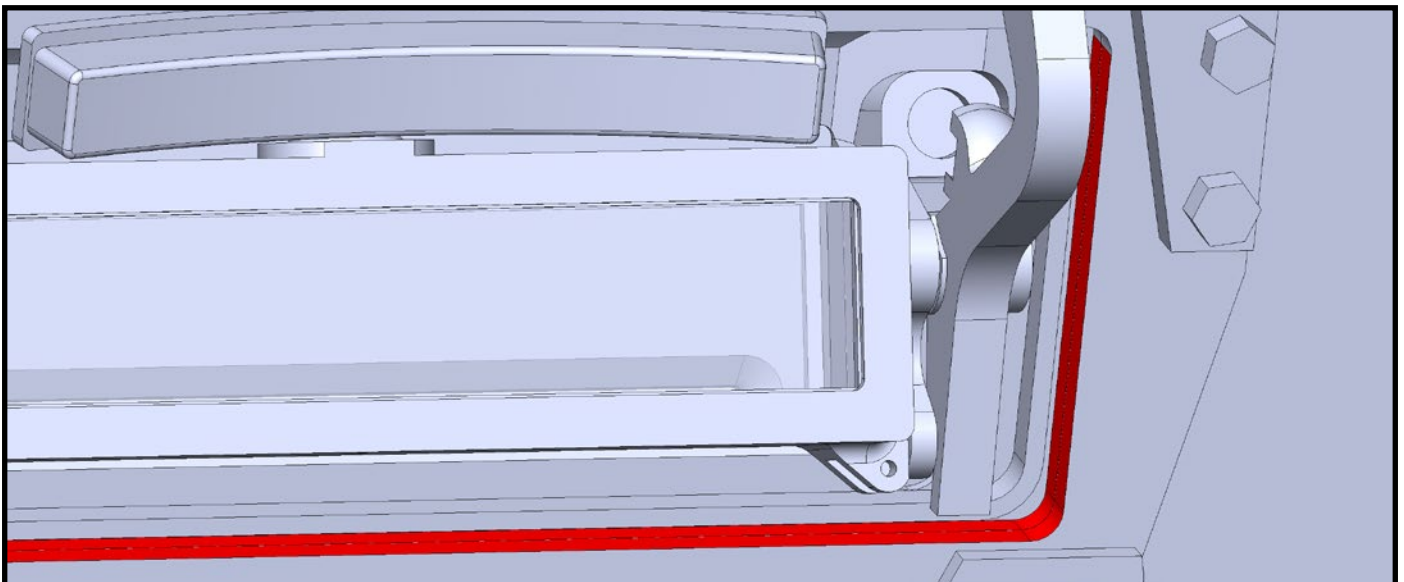
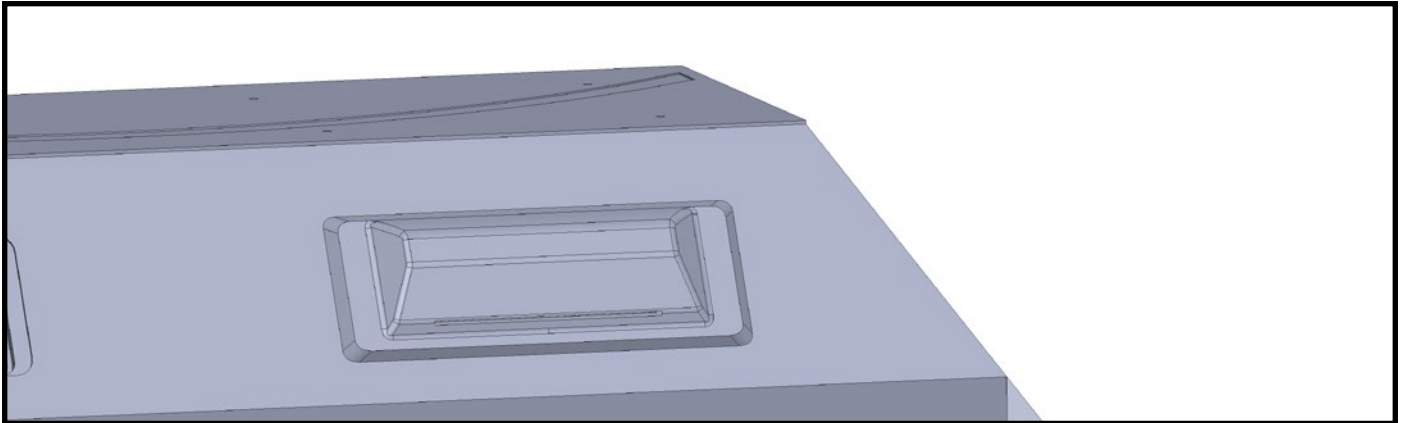
Connect assemblies 03-15 to parts 03-16 and 03-17 using M1,2x3mm screws.



Paint all parts before or after this step.
Connect parts 03-18 to assemblies 03-16 and 03-17 using 0.8 mm diameter wire.
Secure the wire with superglue to prevent it from falling out.



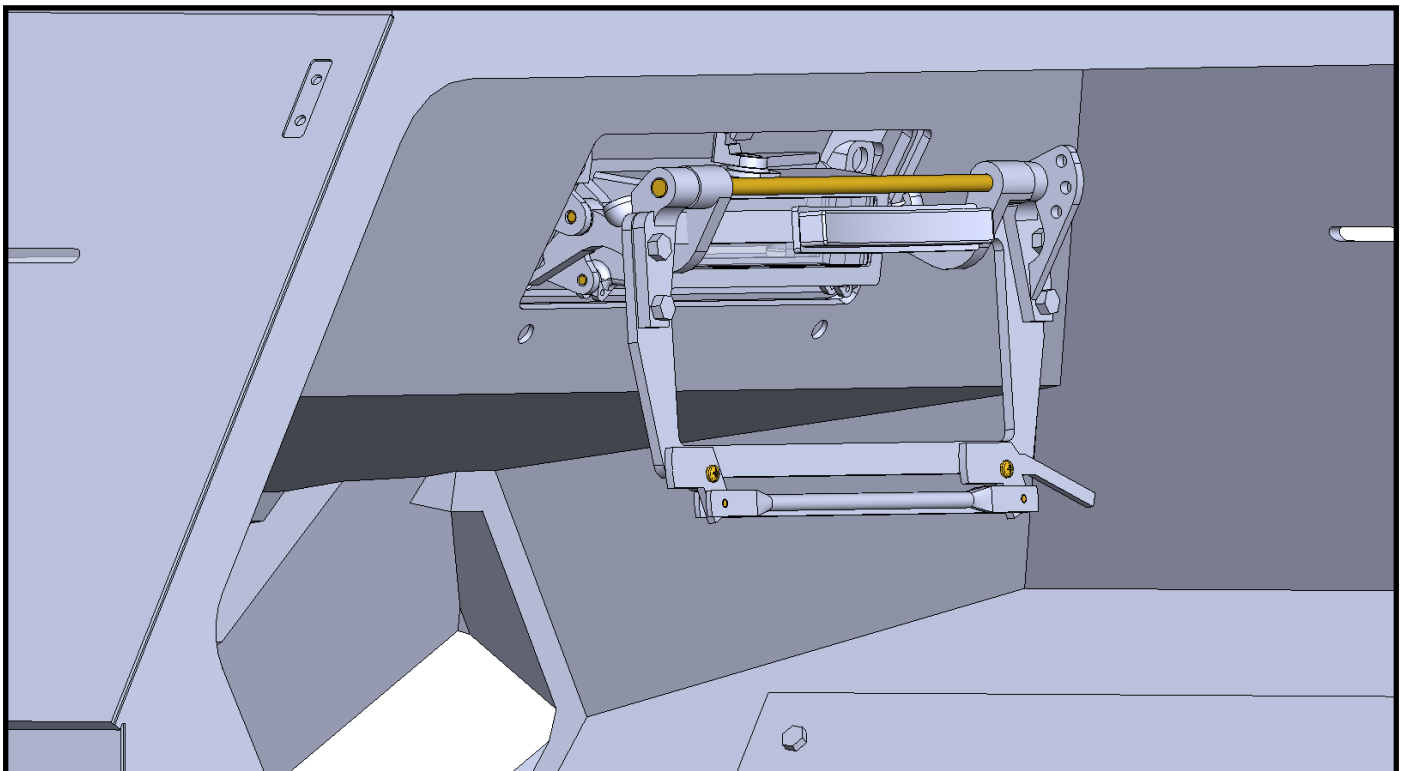
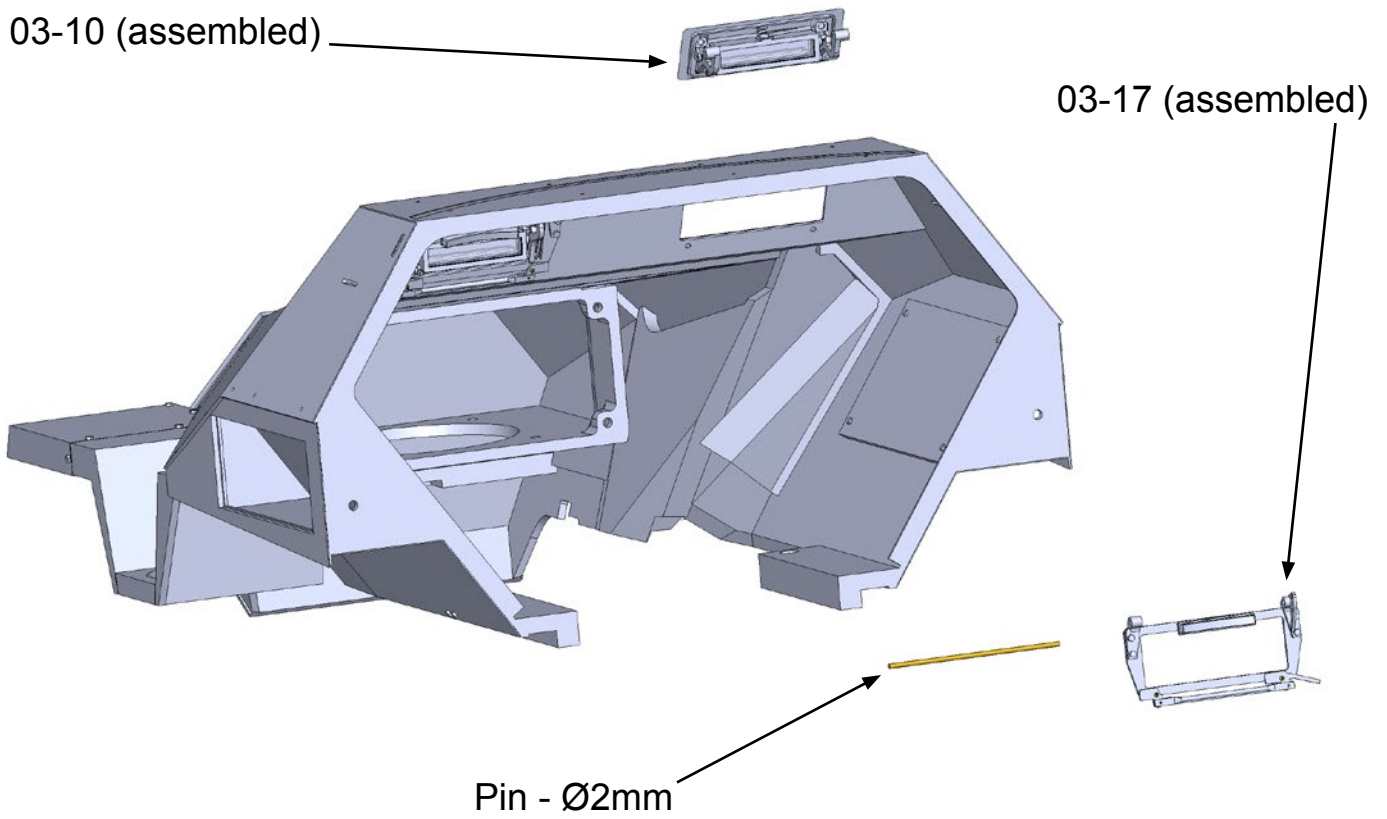
Insert assembly 03-10 from the front side of the opening in part 03-09A.
Insert assembly 03-16 from the inside of part 03-09A.
Connect 03-10 and 03-16 using a 2mm pin.
Don't glue anything together yet!



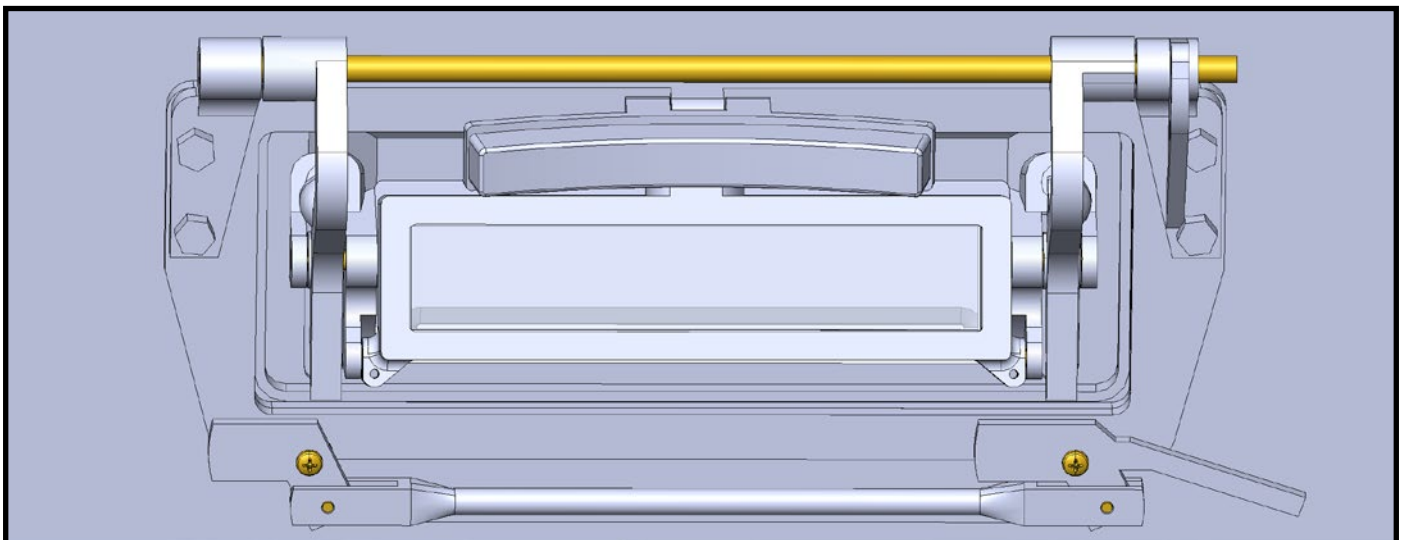
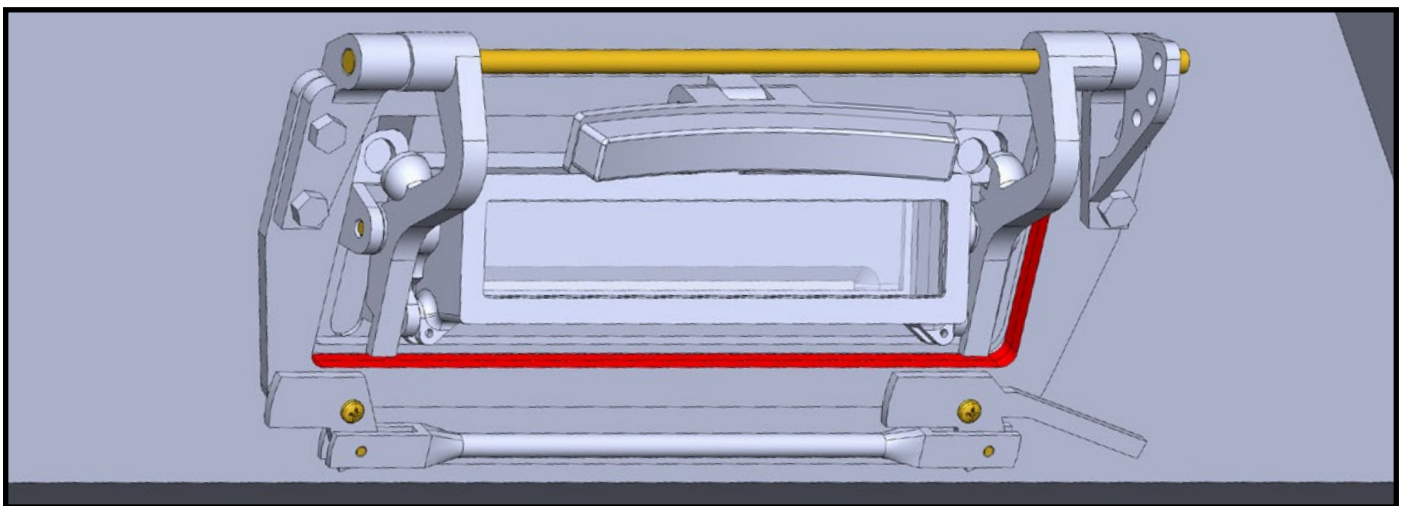
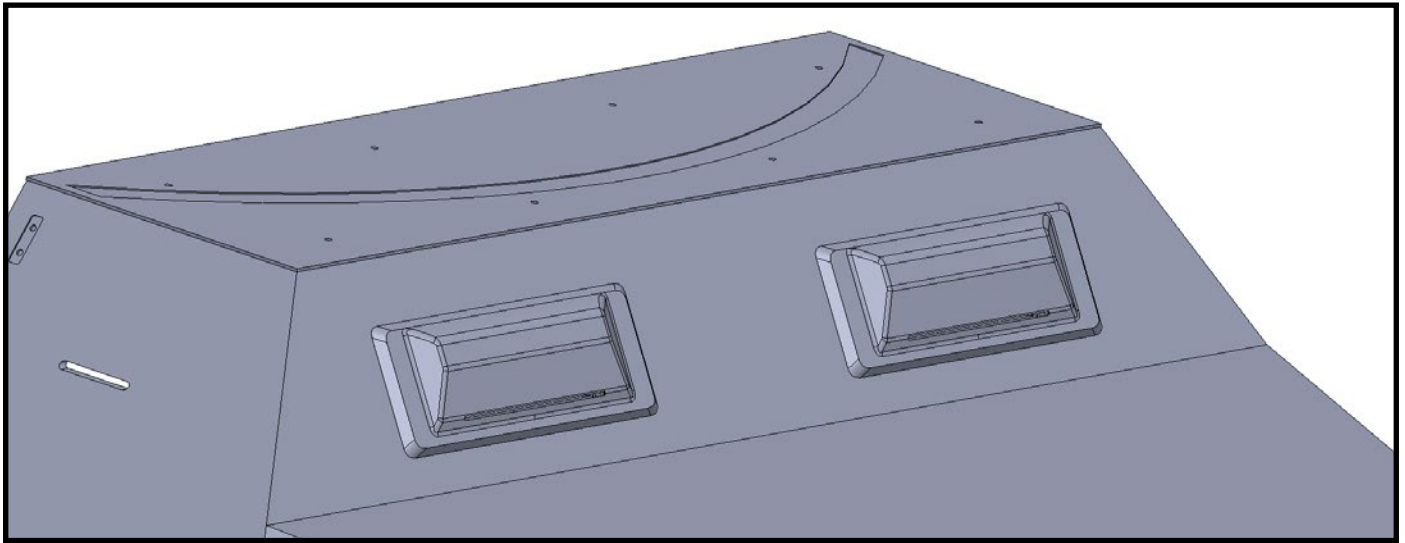
Now align all parts in the “closed” position. **Before gluing, dry fit all parts.**

The edge of part 03-16 must be aligned with the edge on part 03-09A
(center image, areas marked in red).

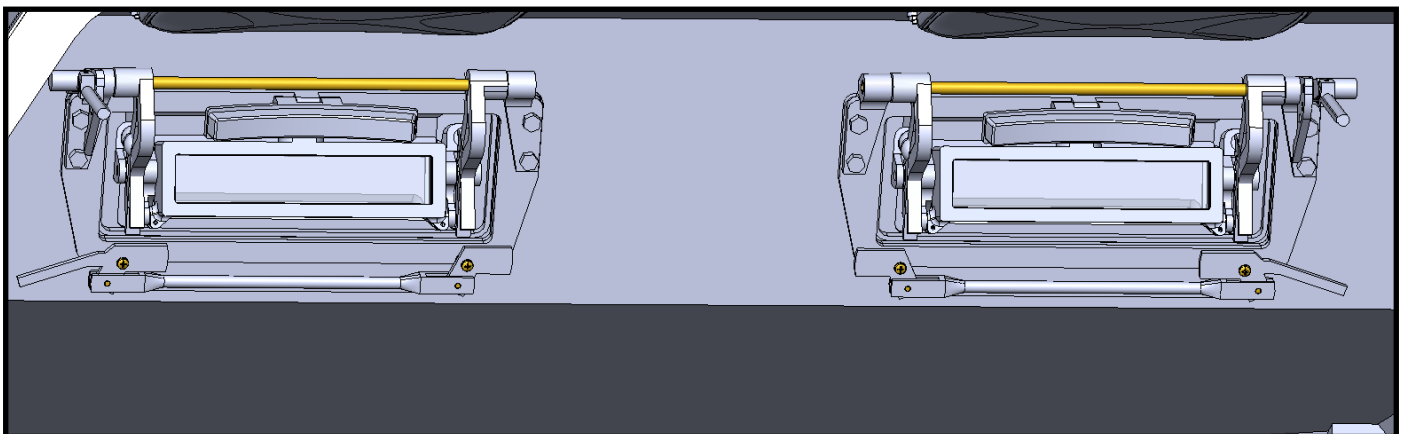
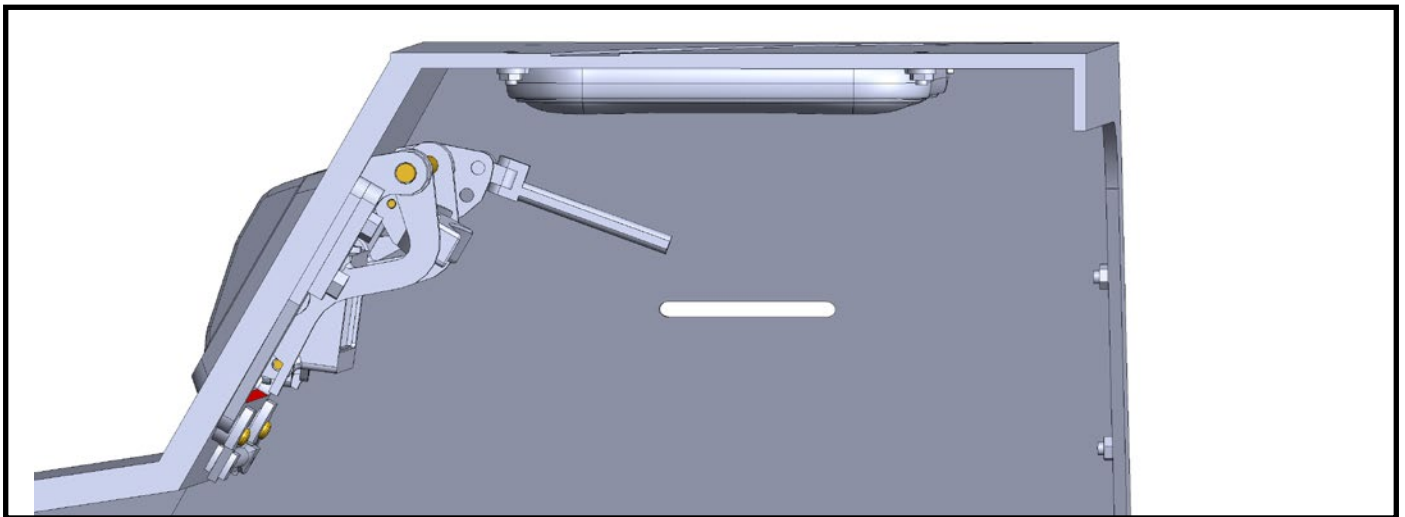
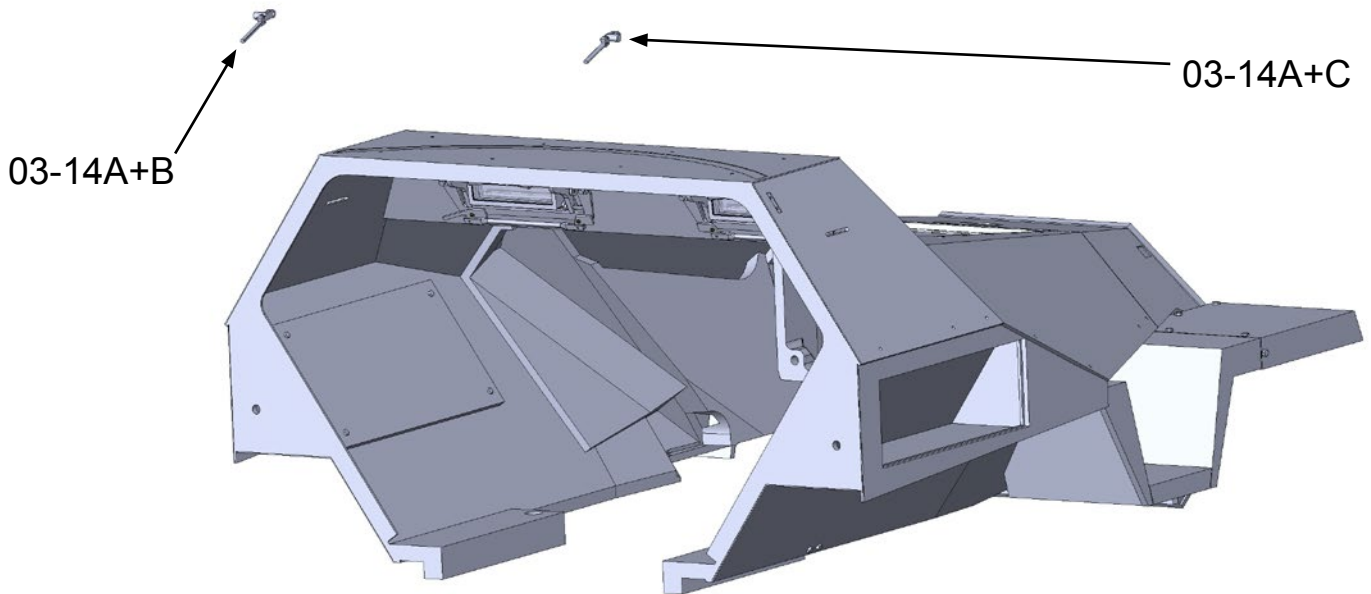
Glue part 03-16 to part 03-09A. **Pay attention to the correct position of the pin.**



Repeat the same procedure on the other side with the assembly of parts 03-17.



Glue part 03-17 to part 03-09A.
The procedure is the same as on the left side.
Pay attention to the correct position of the pin.



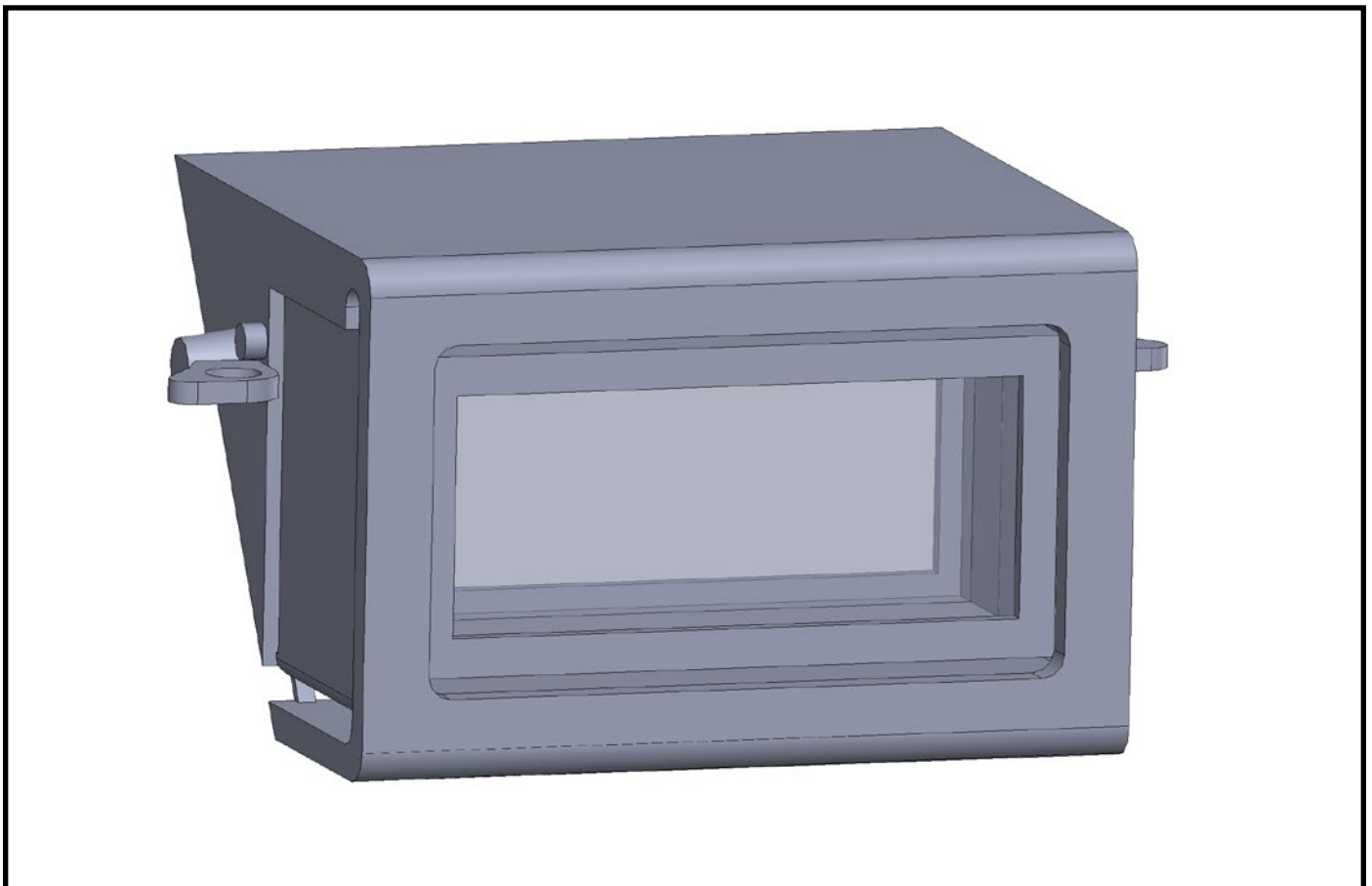
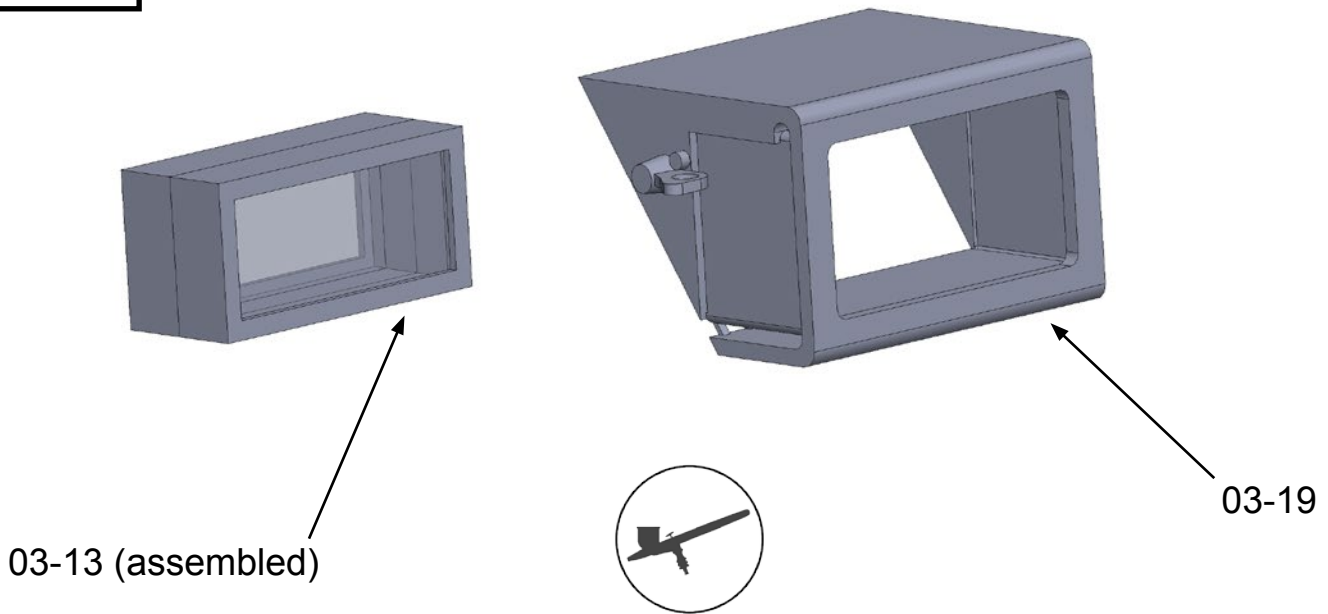
Insert assemblies 03-14A+B and 03-14A+C onto the ends of the 2mm pins.

Apply a drop of glue to parts 03-14 on the surface where the pin ends.

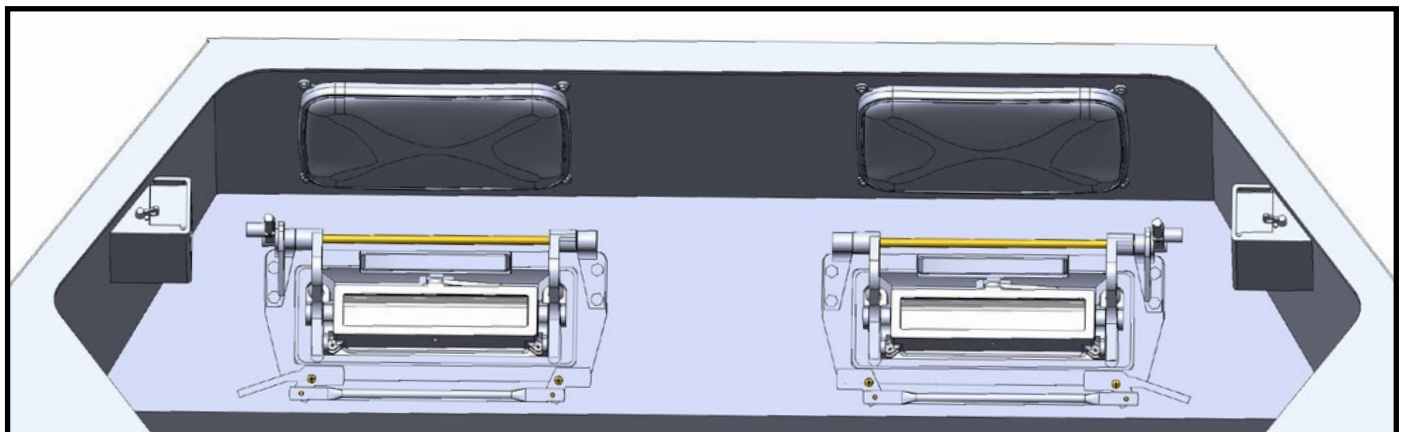
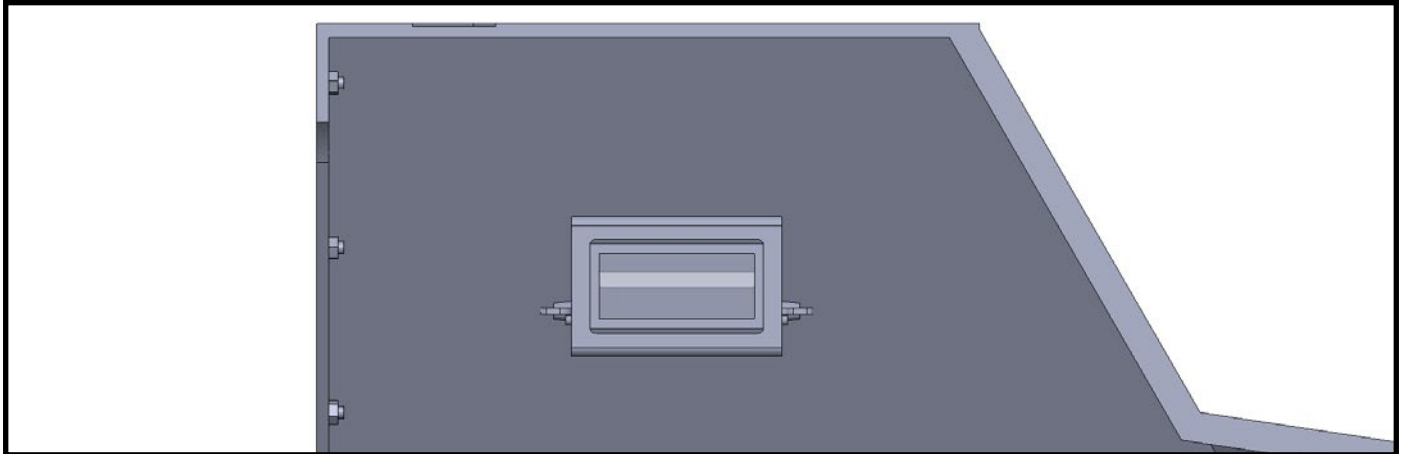
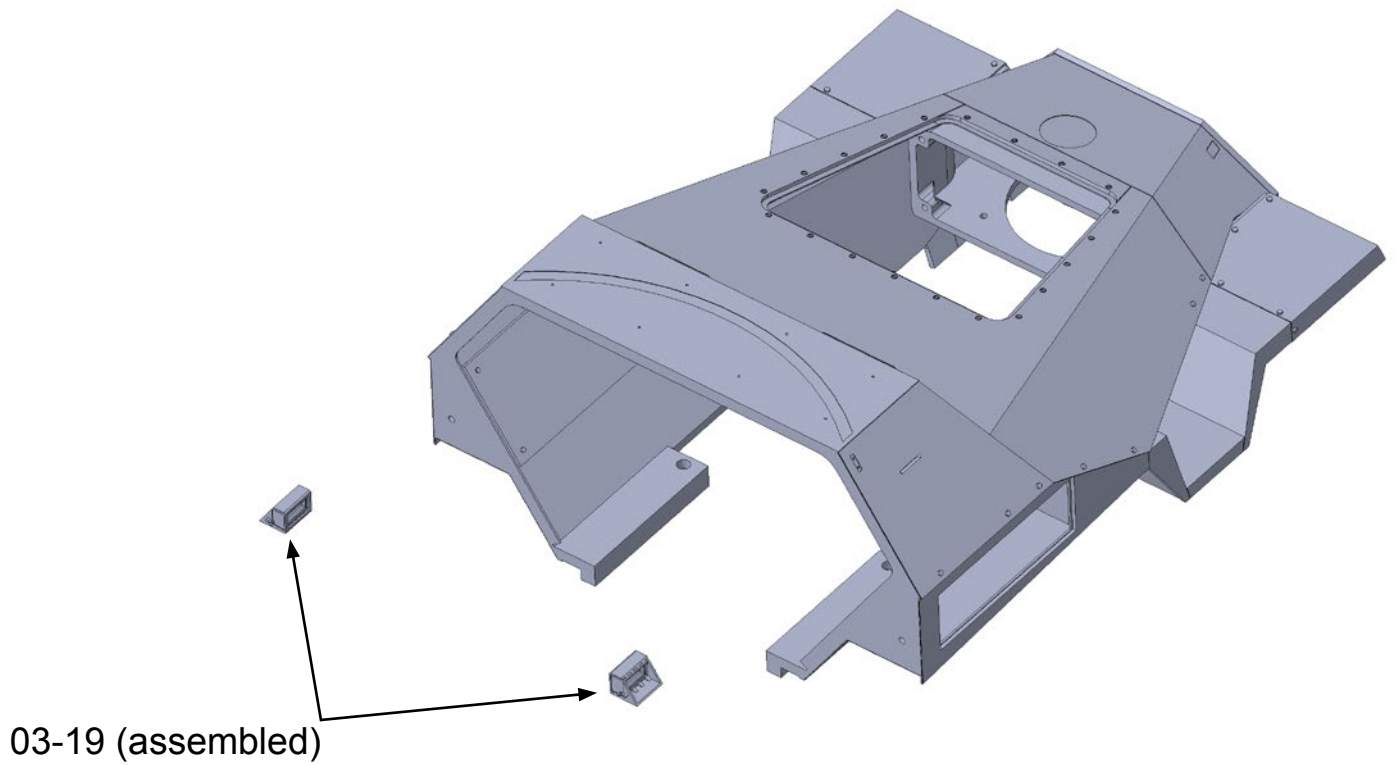
The middle picture shows the correct position of the parts when the visor is closed.

Apply a drop of glue between parts 03-10B and 03-10C and the 2mm pins.

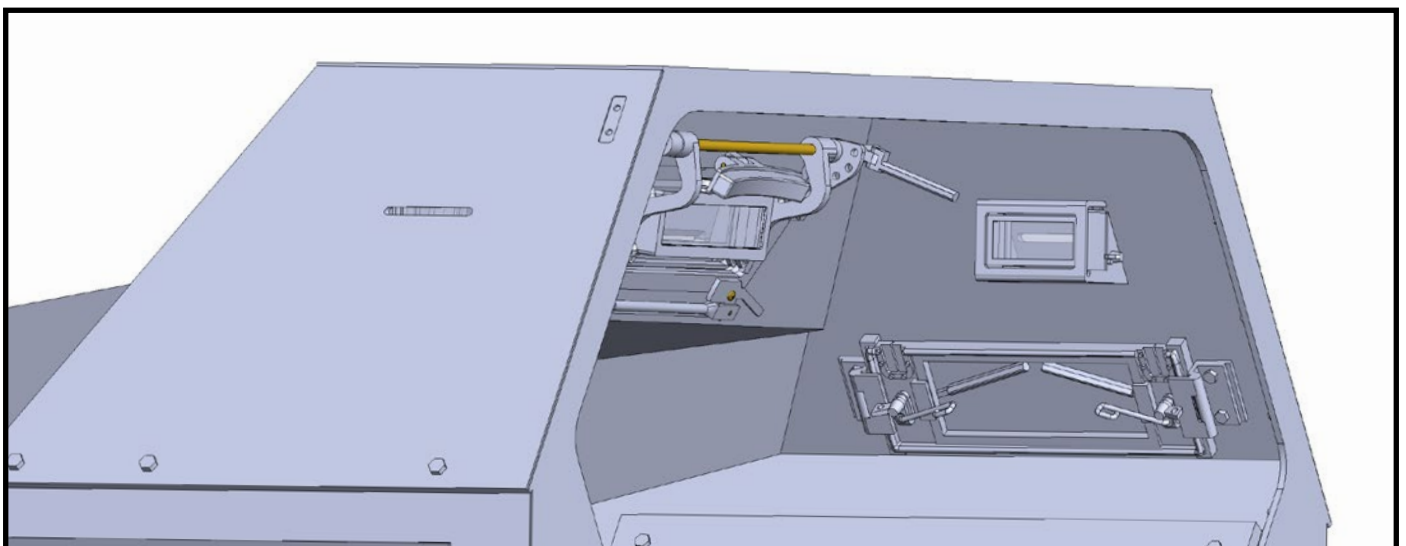
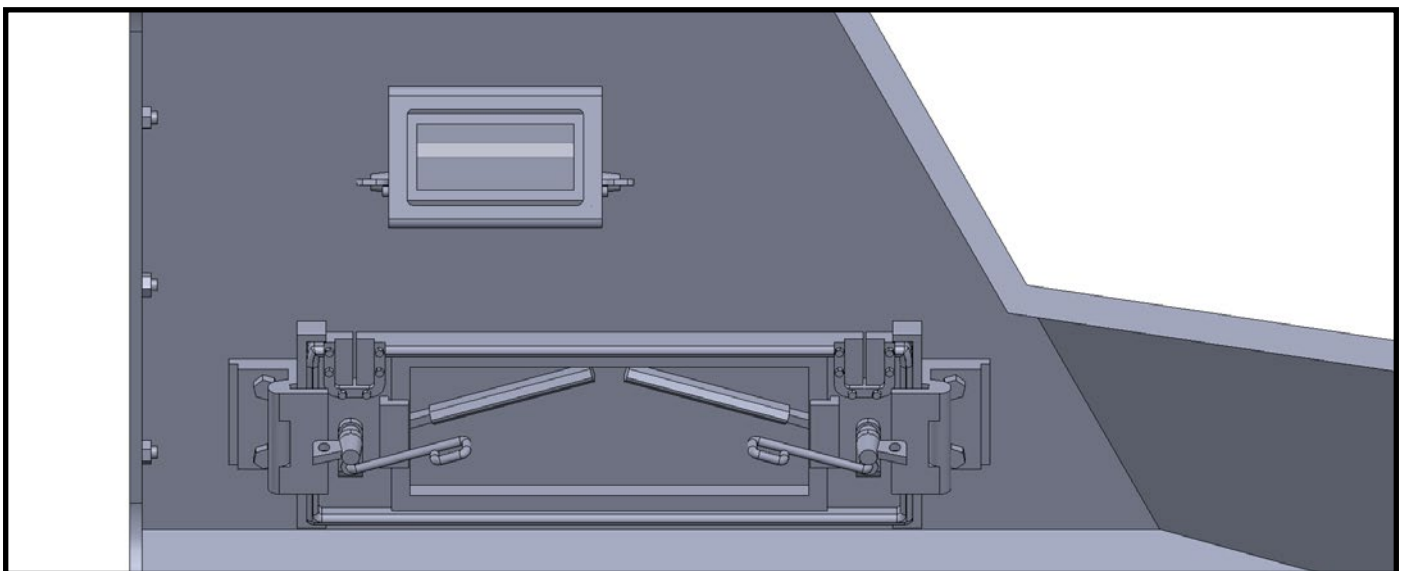
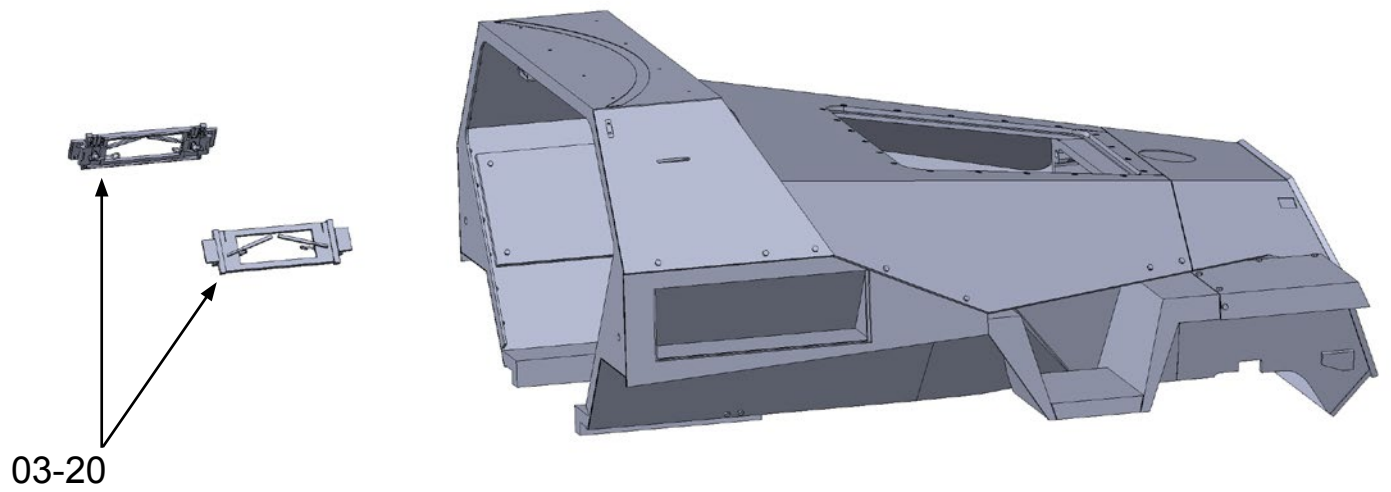
2x



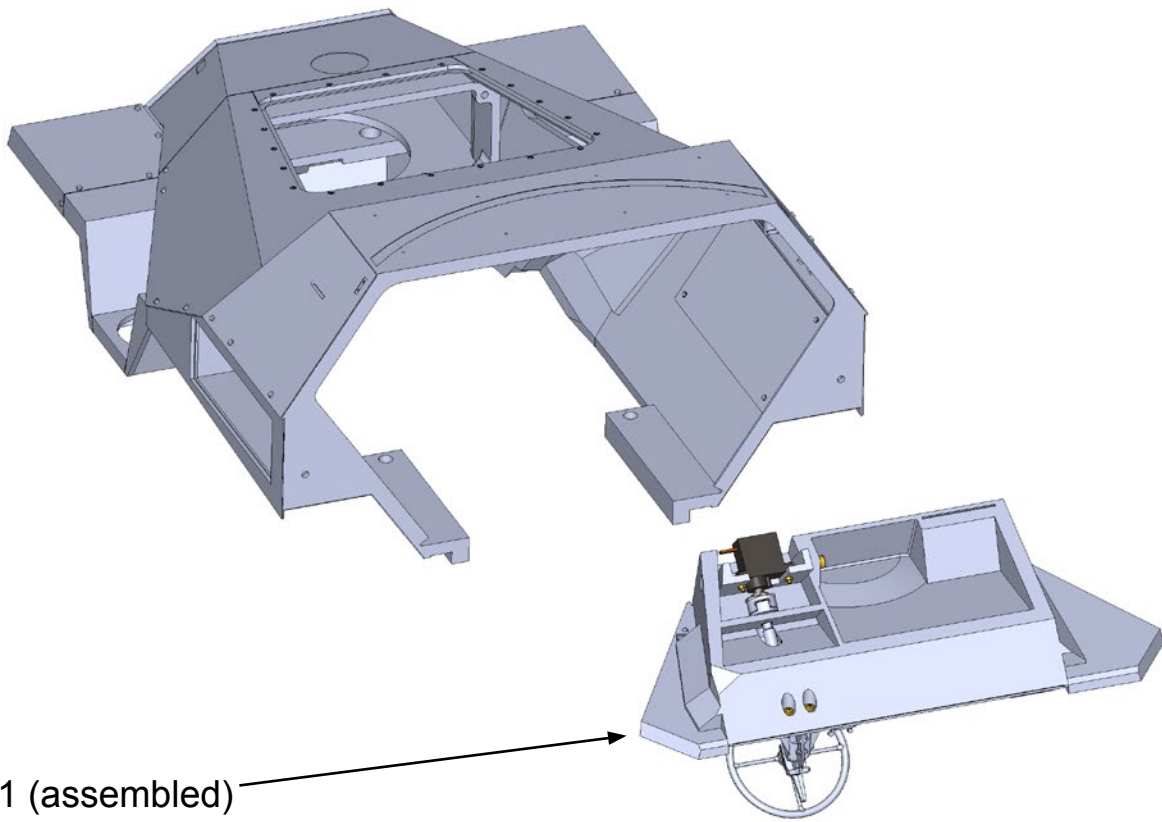
Paint parts 03-19.
Then glue the assembly of parts 03-13 into part 03-19. Repeat twice.



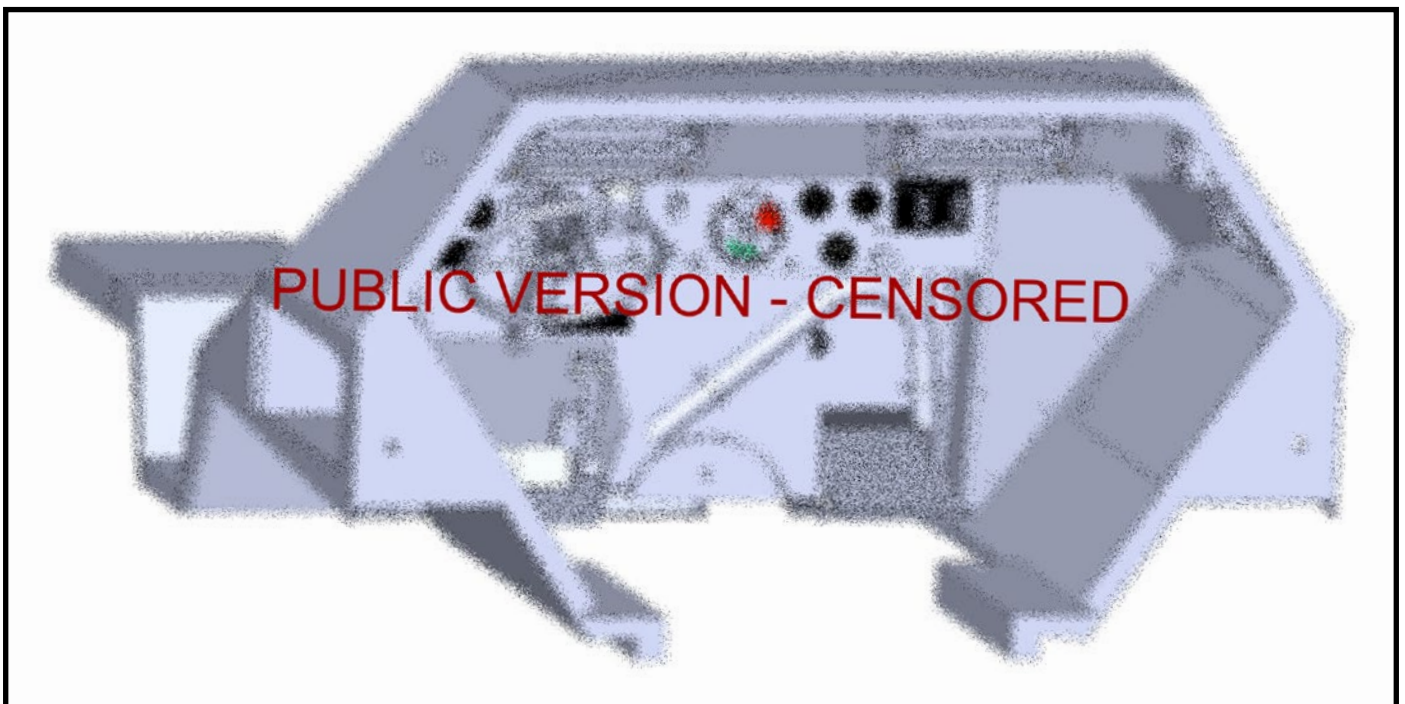
Glue assemblies 03-19 to part 03-09A.



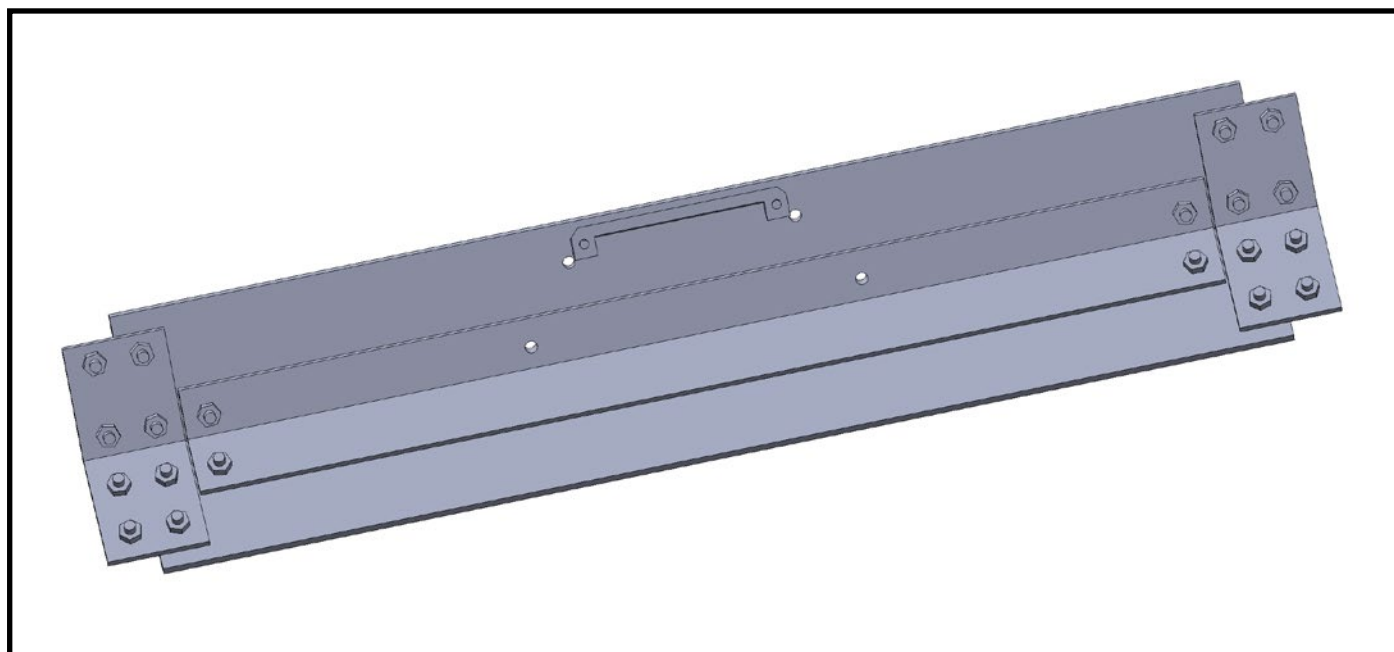
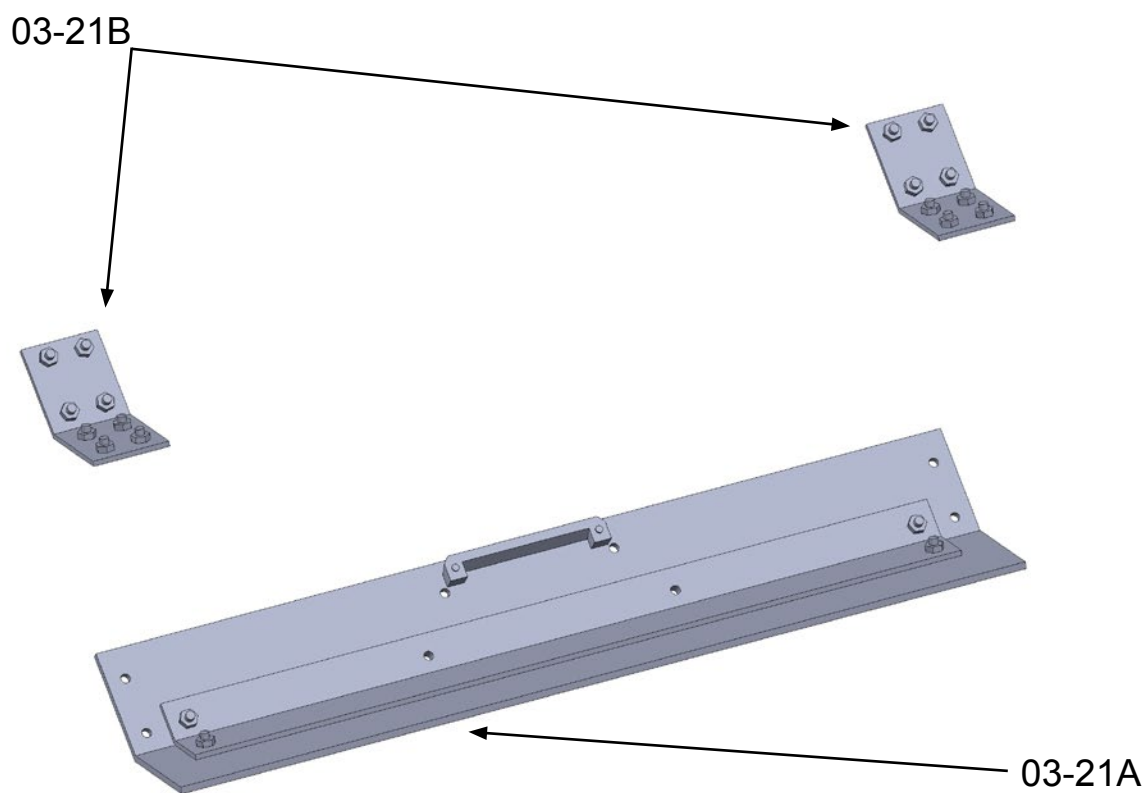
Glue parts 03-20 to part 03-09A.



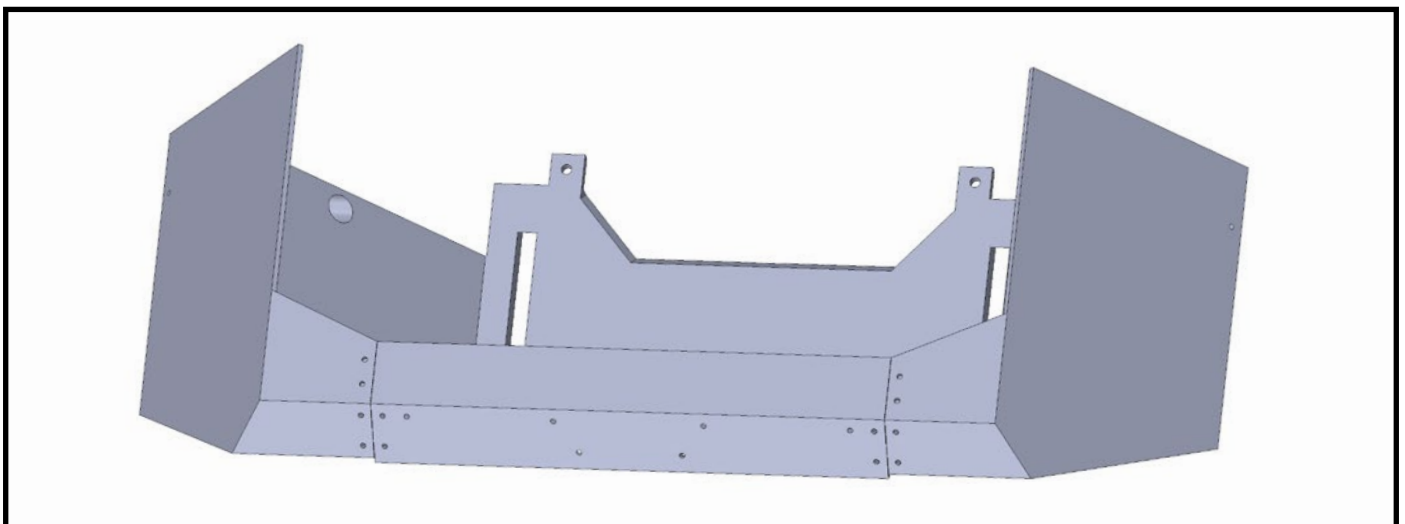
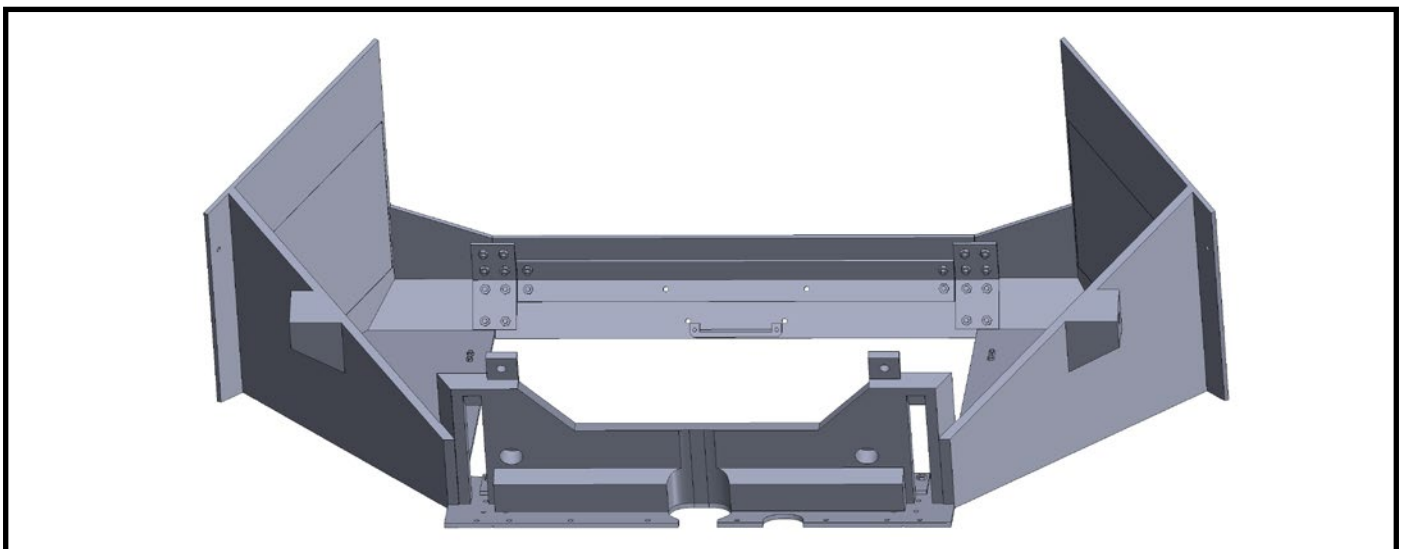
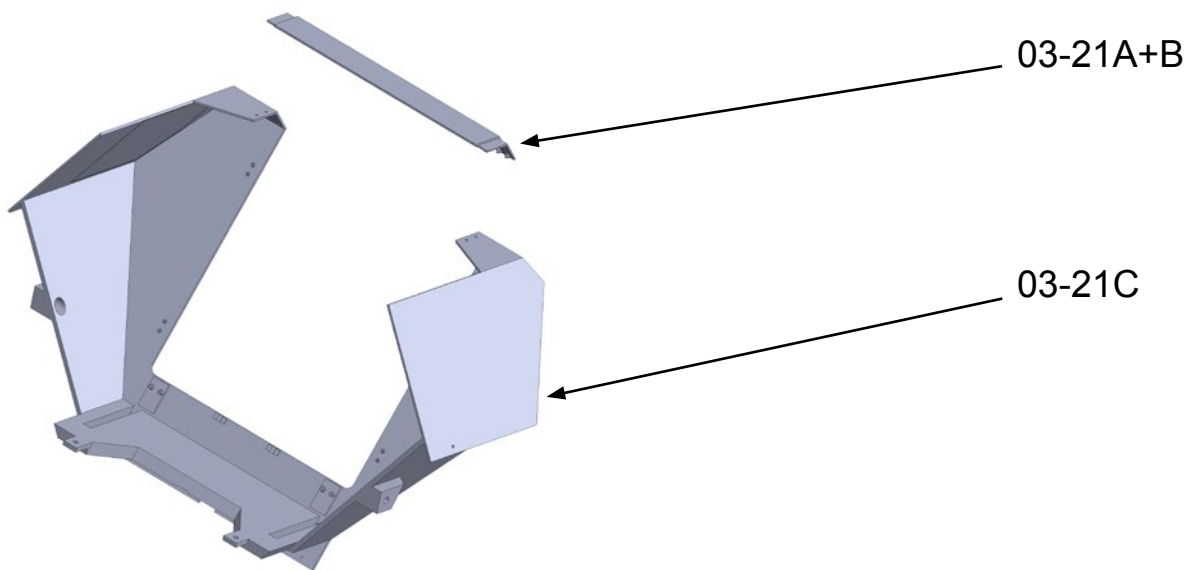
03-01 (assembled)



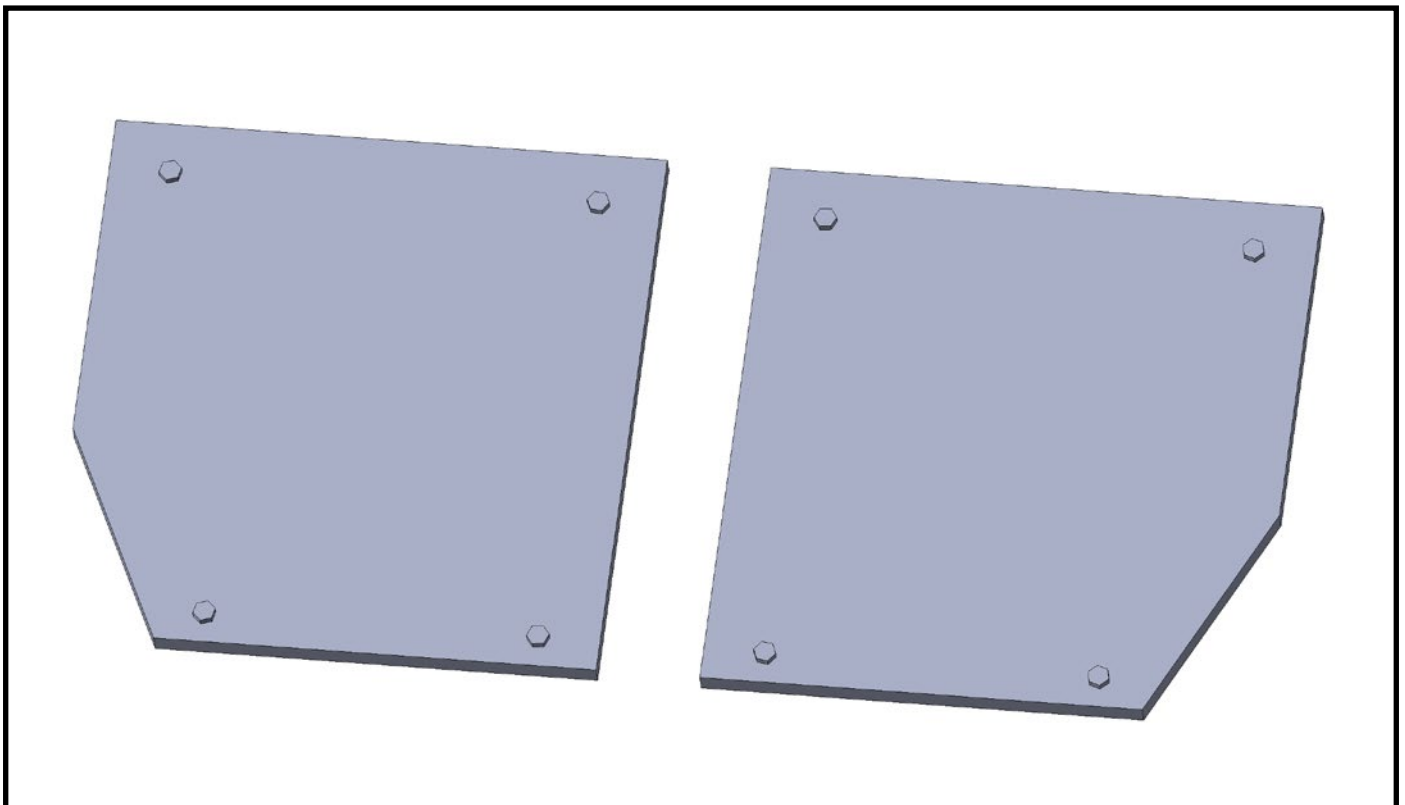
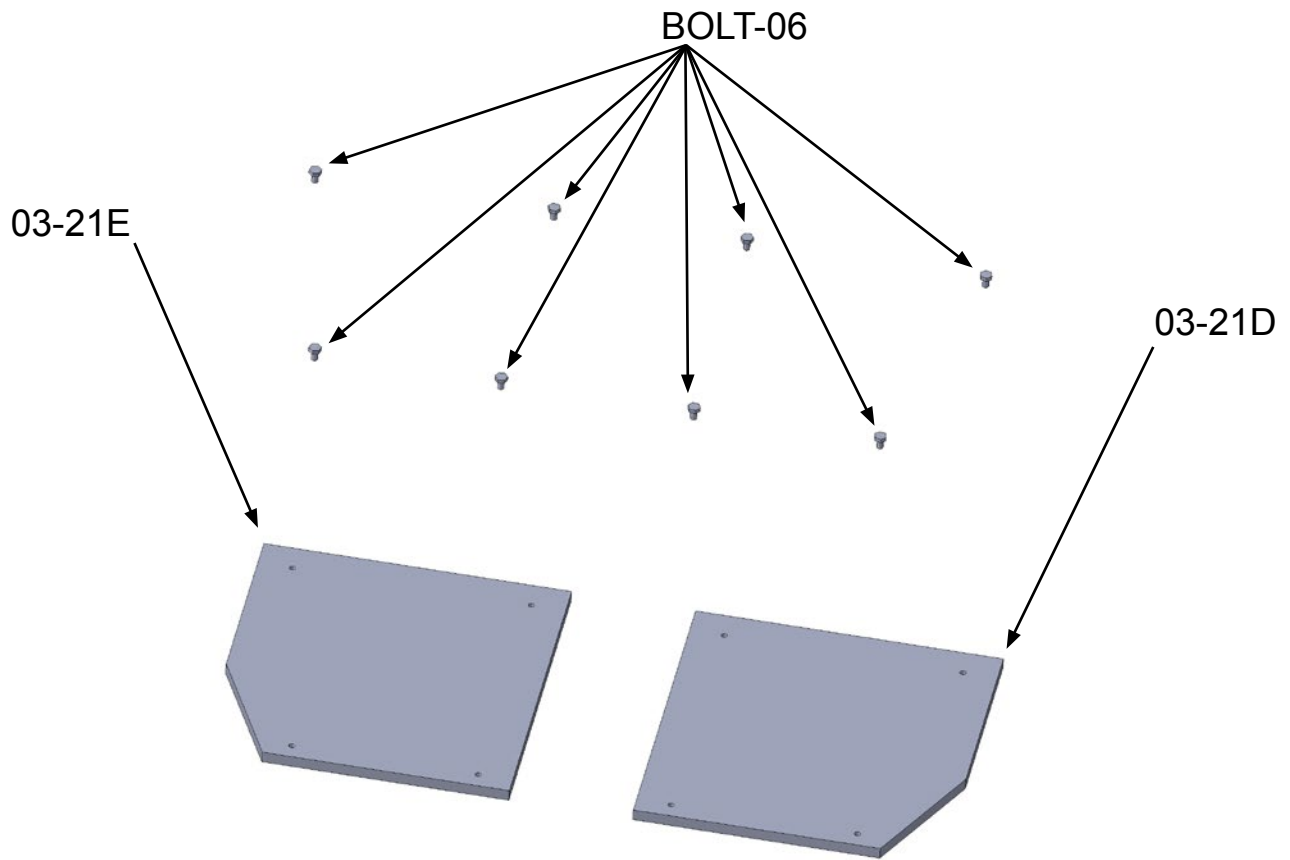
Insert assembly 03-01.
The correct position for inserting the assembly is shown in the upper image.
DON'T GLUE ANYTHING TOGETHER YET!



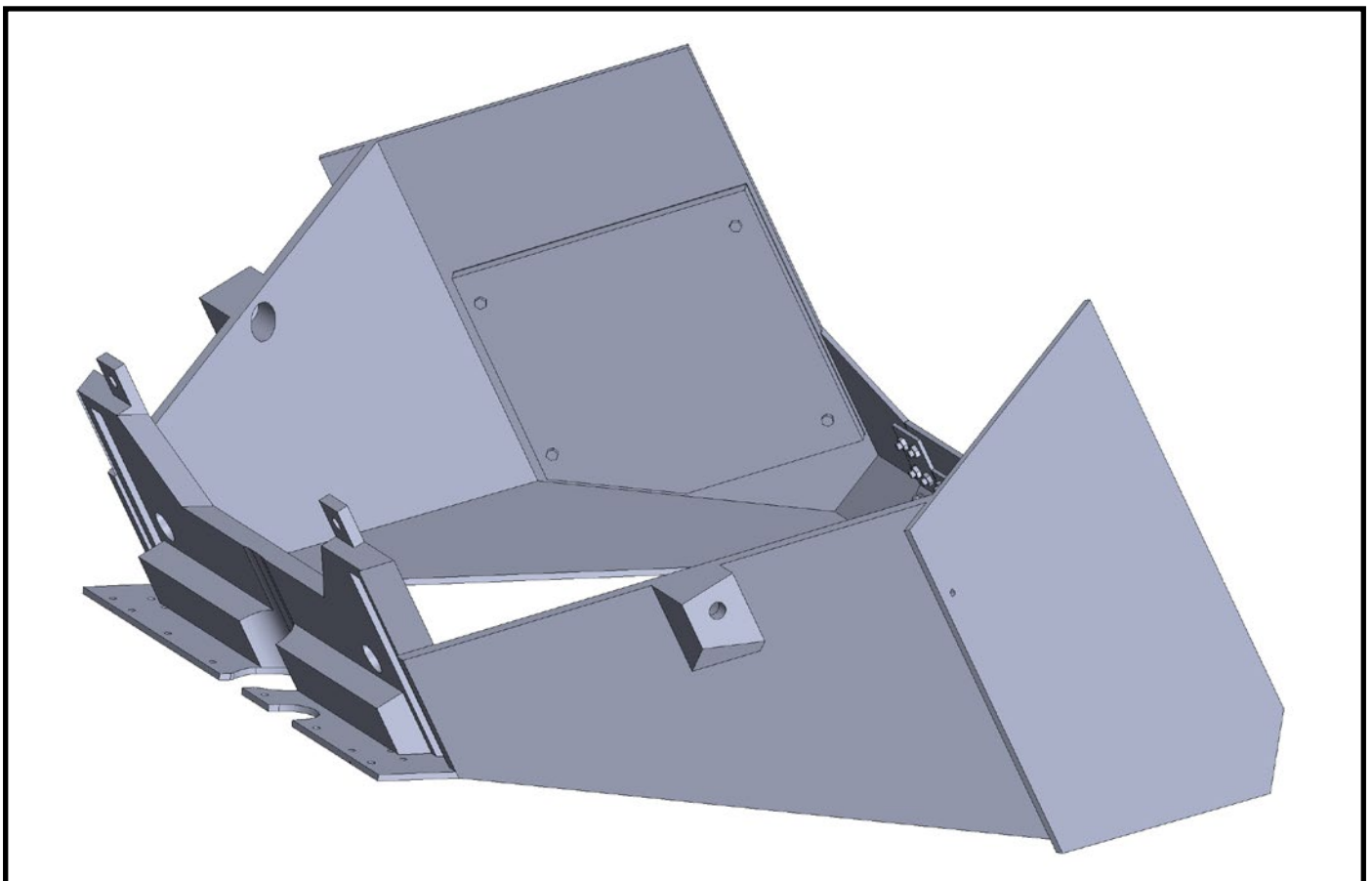
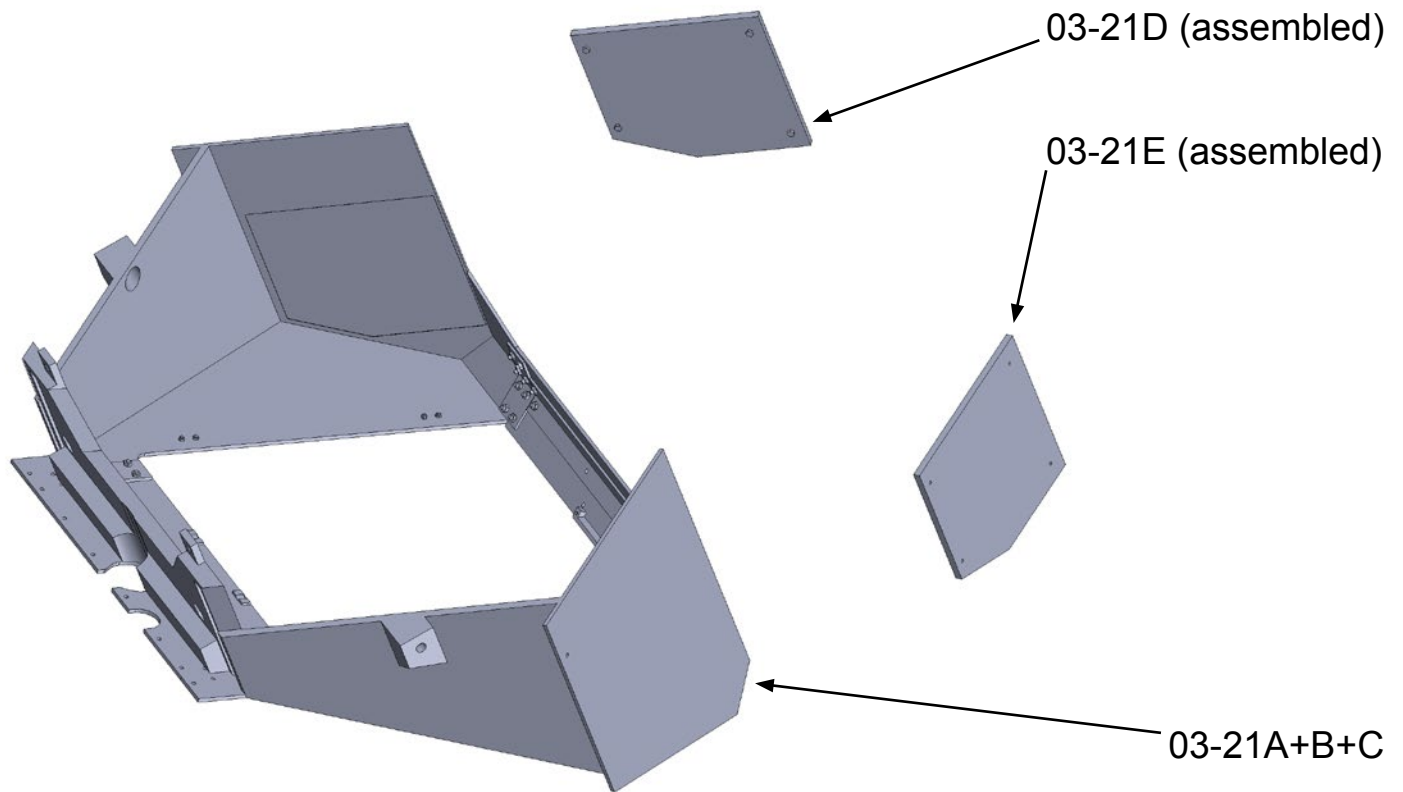
Glue parts 03-21B to part 03-21A.



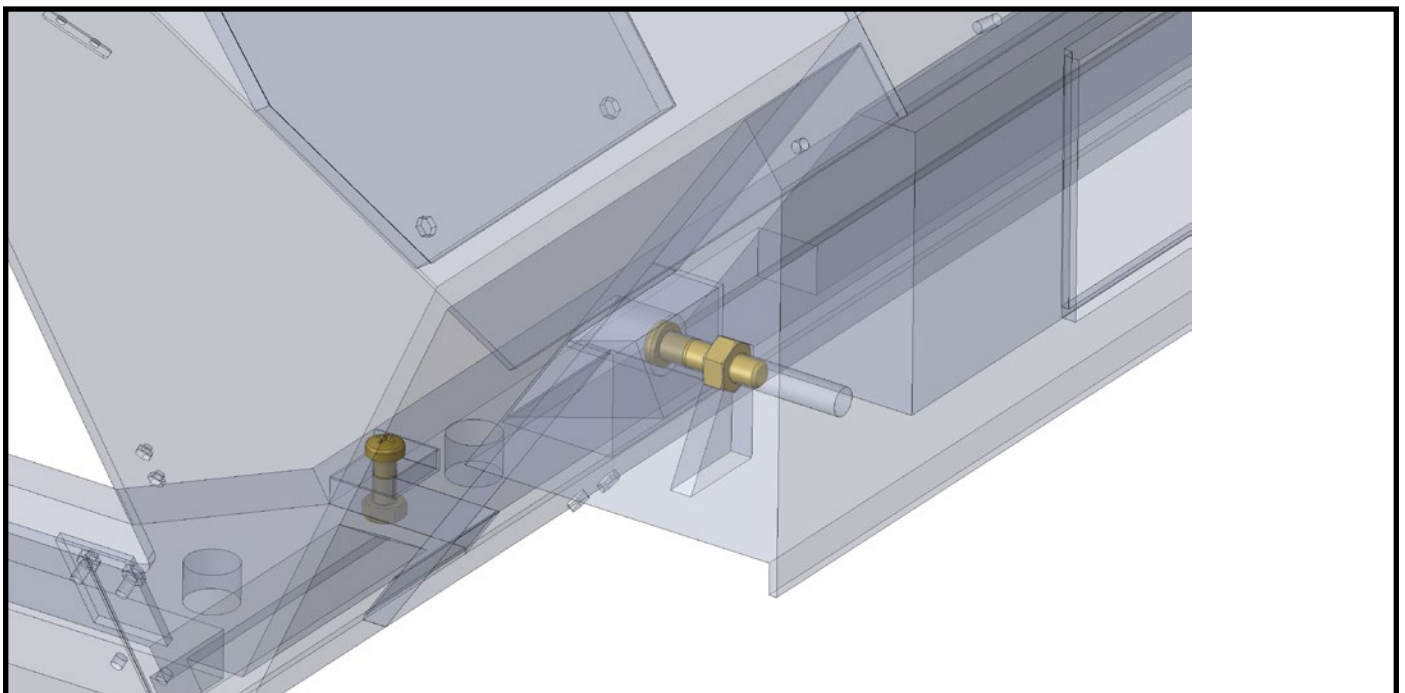
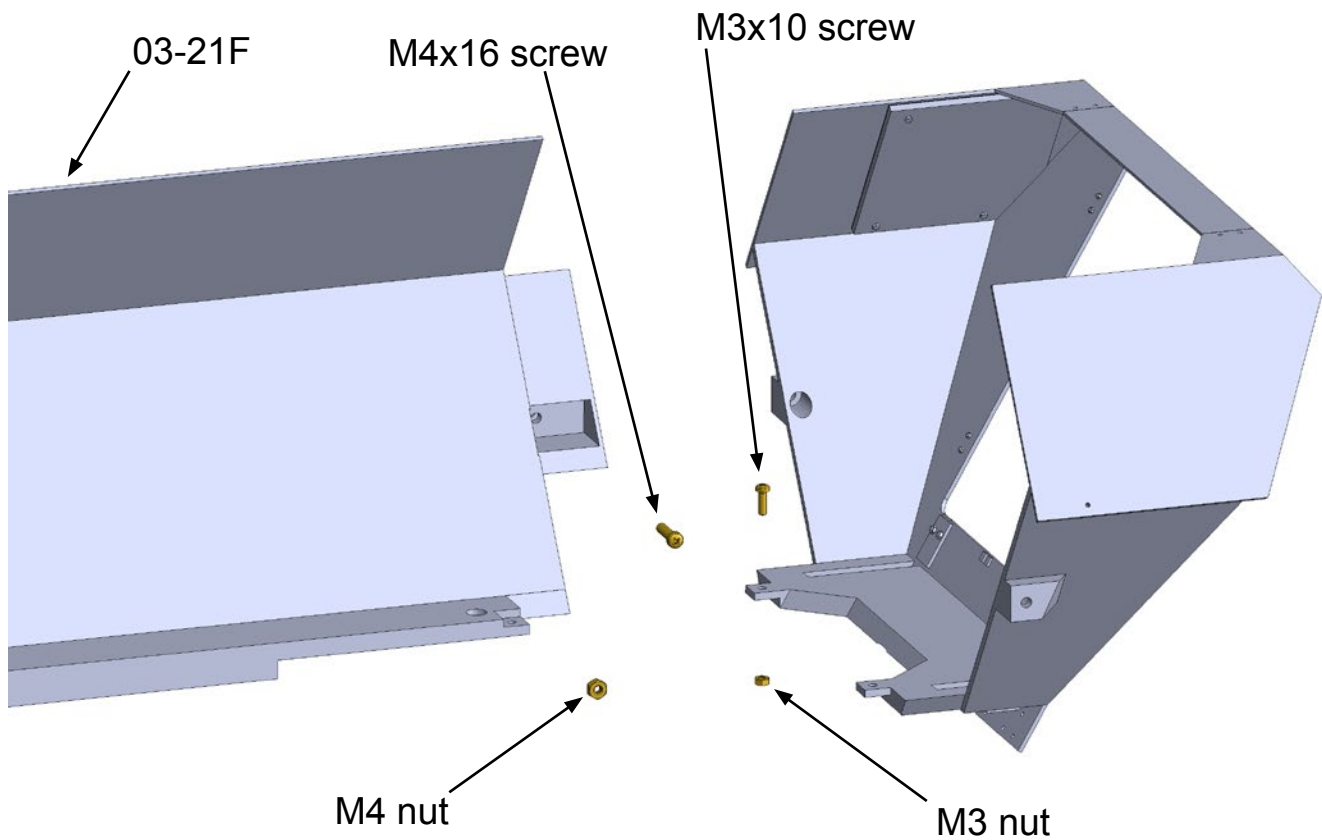
Glue assembly 03-21A+B to part 03-21C.
We recommend using clamps when gluing.



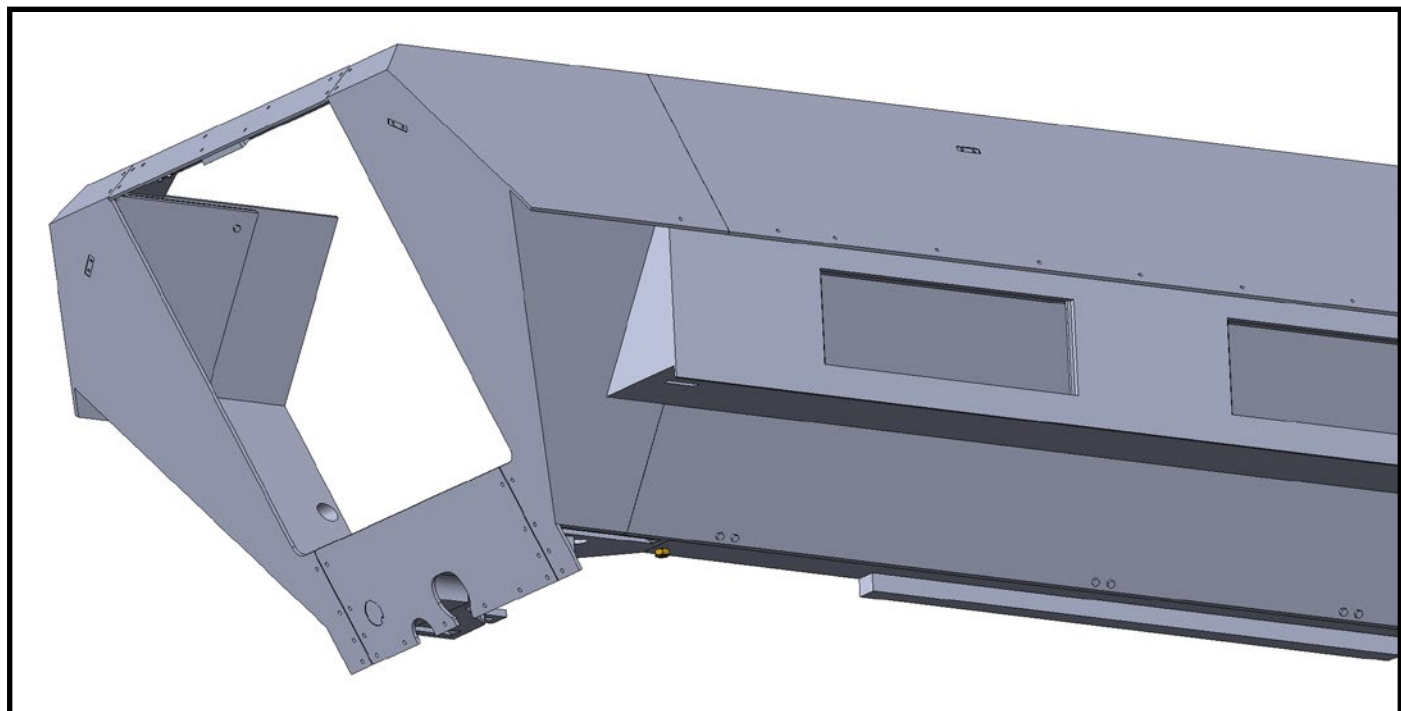
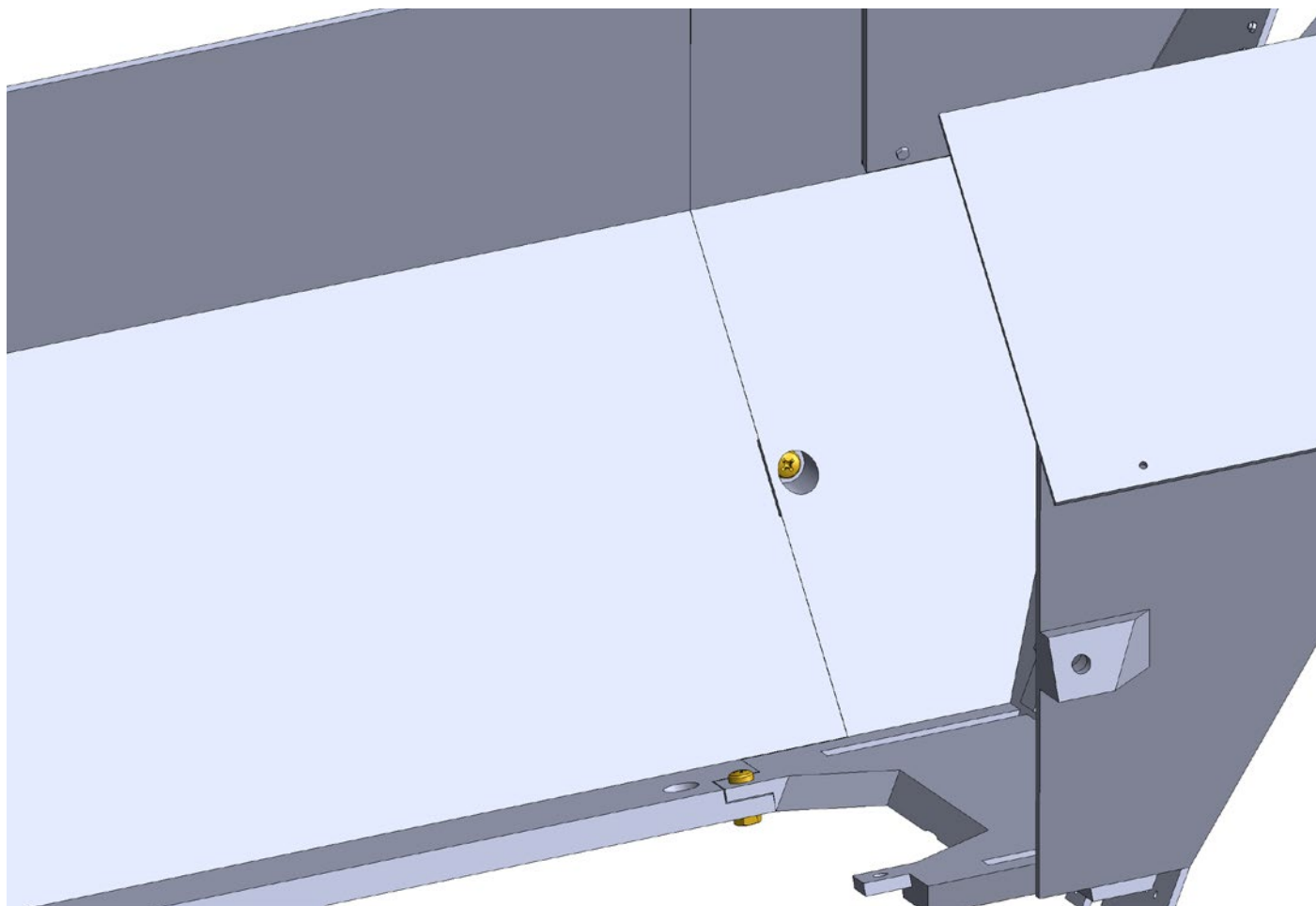
Glue the plastic bolts BOLT-06 (8 pieces) onto parts 03-21D and 03-21E.



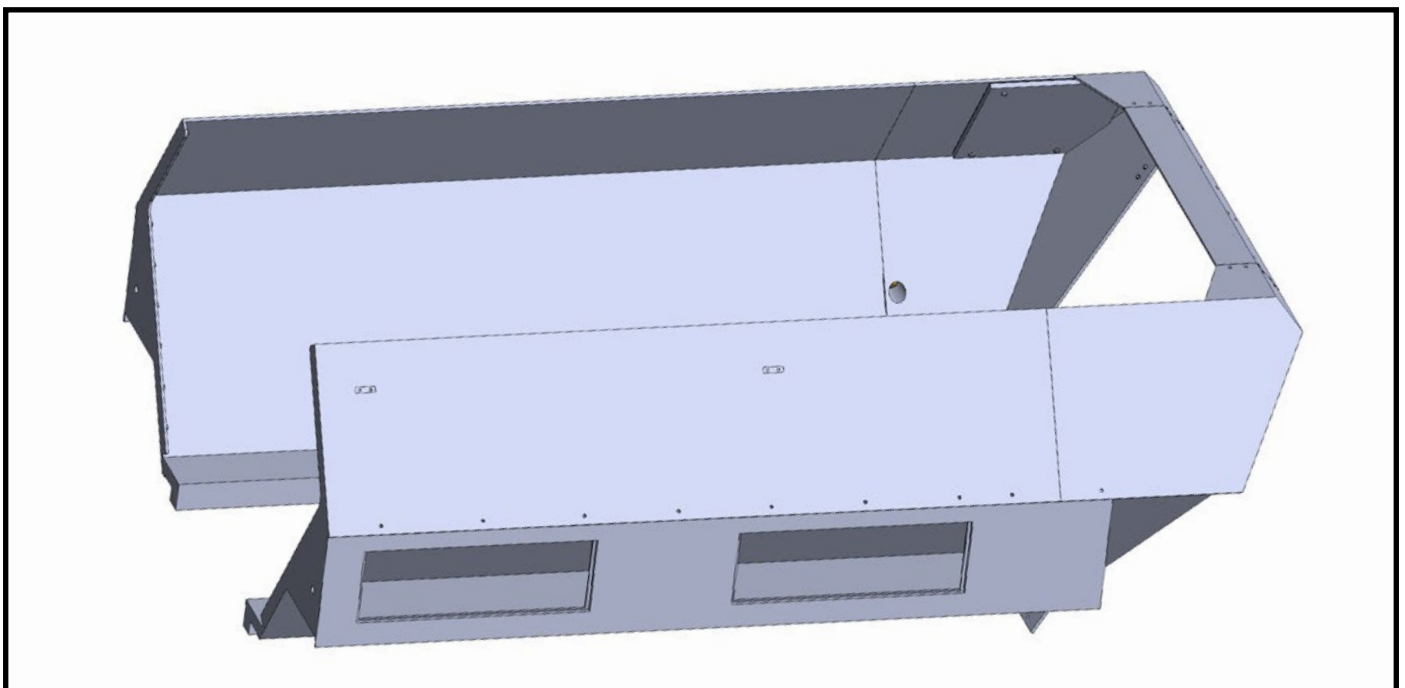
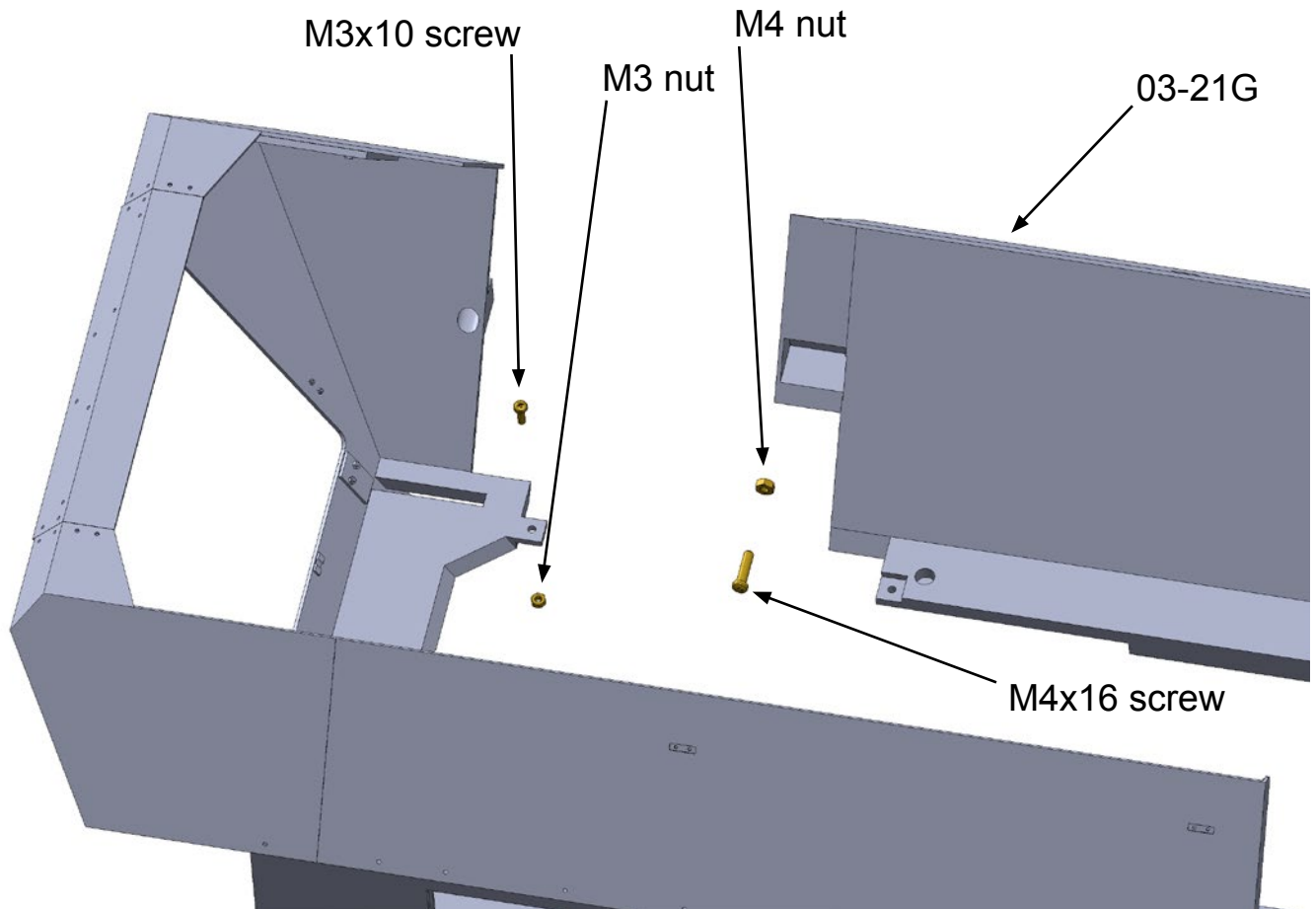
Glue assemblies 03-21D and 03-21E to part 03-21A.



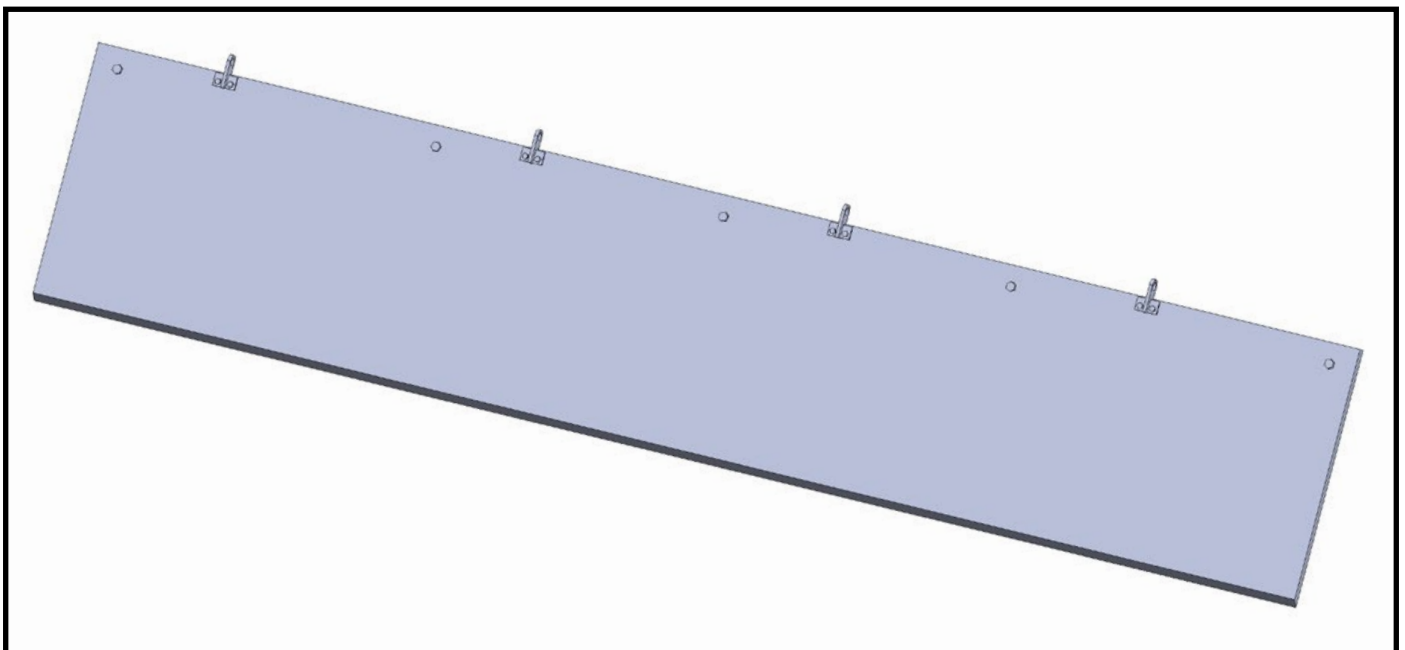
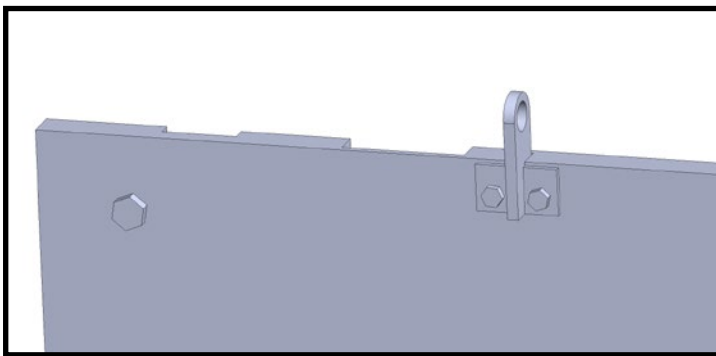
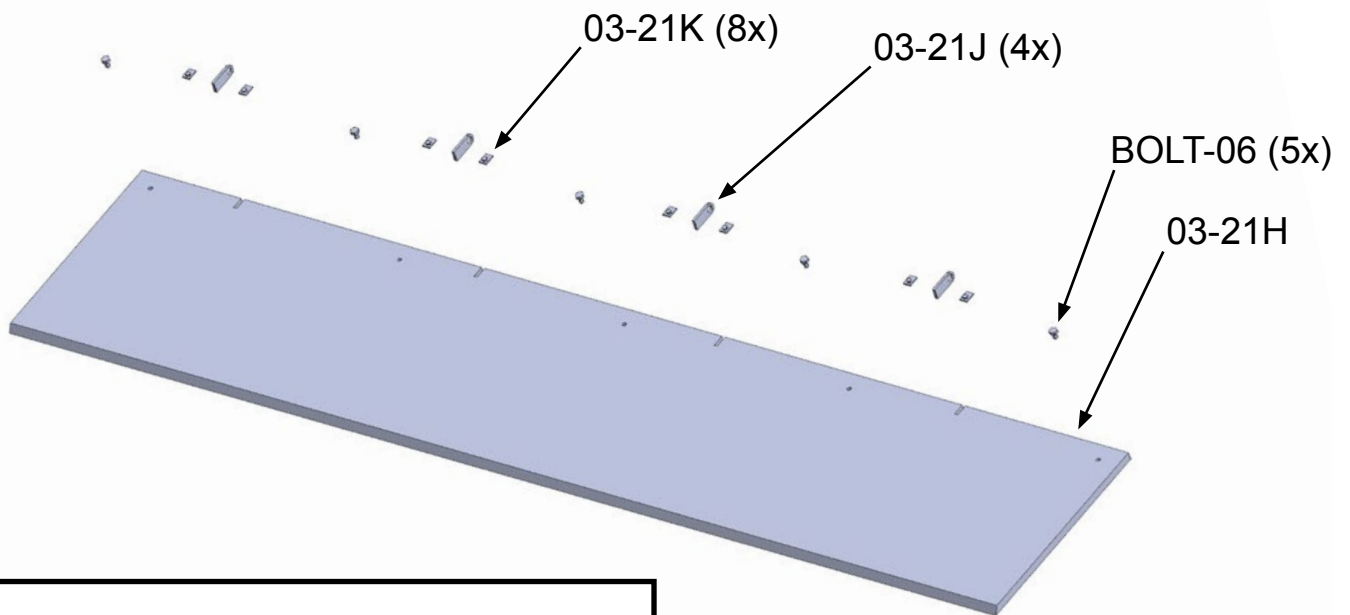
First, insert the M4 nut into part 03-21F.
Then apply adhesive to part 03-21F and screw the parts together using the M4x16 and M3x10 screws and the M3 nut.
Before gluing, try it once without glue - just with screws (dry fit).
The surfaces on the upper sections of the parts must fit perfectly.



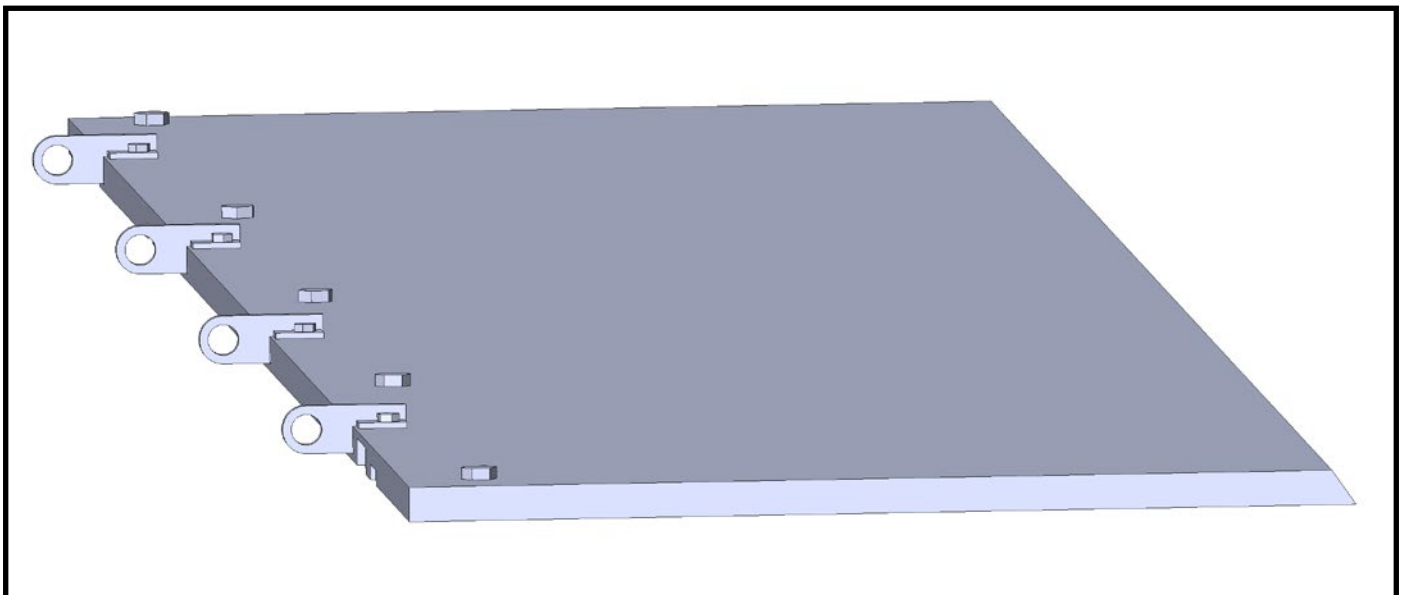
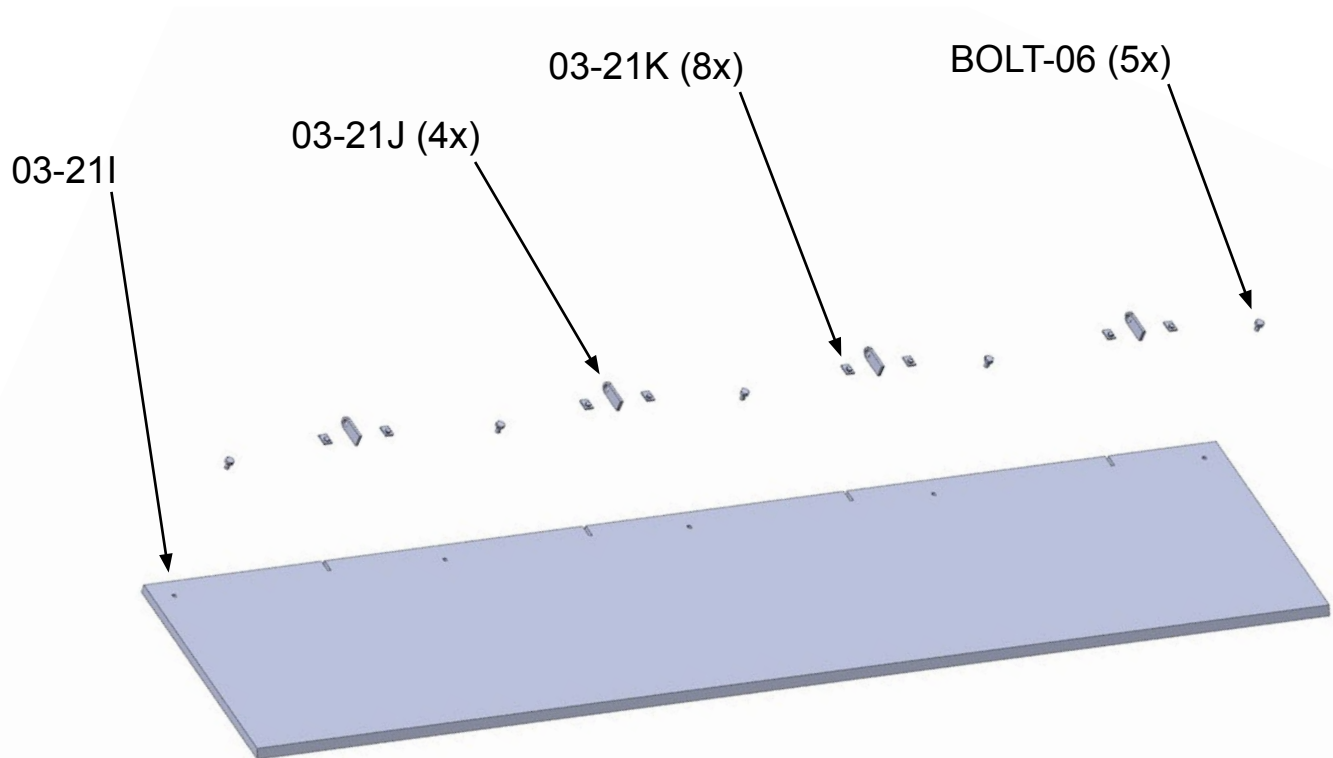
Auxiliary views for installation of part 03-21F.



The procedure for part 03-21G is the same.
Use screws to help glue and position the part.
Perform a dry fit.



Glue parts 03-21J (4 pieces) to part 03-21H.
Glue so that the holes in parts 03-21J are aligned.
Then glue parts 03-21K (8 pieces) to part 03-21H.
Glue the plastic bolts BOLT-06 (5 pieces) onto part 03-21H.



This assembly is mirrored in relation to assembly 03-21H.

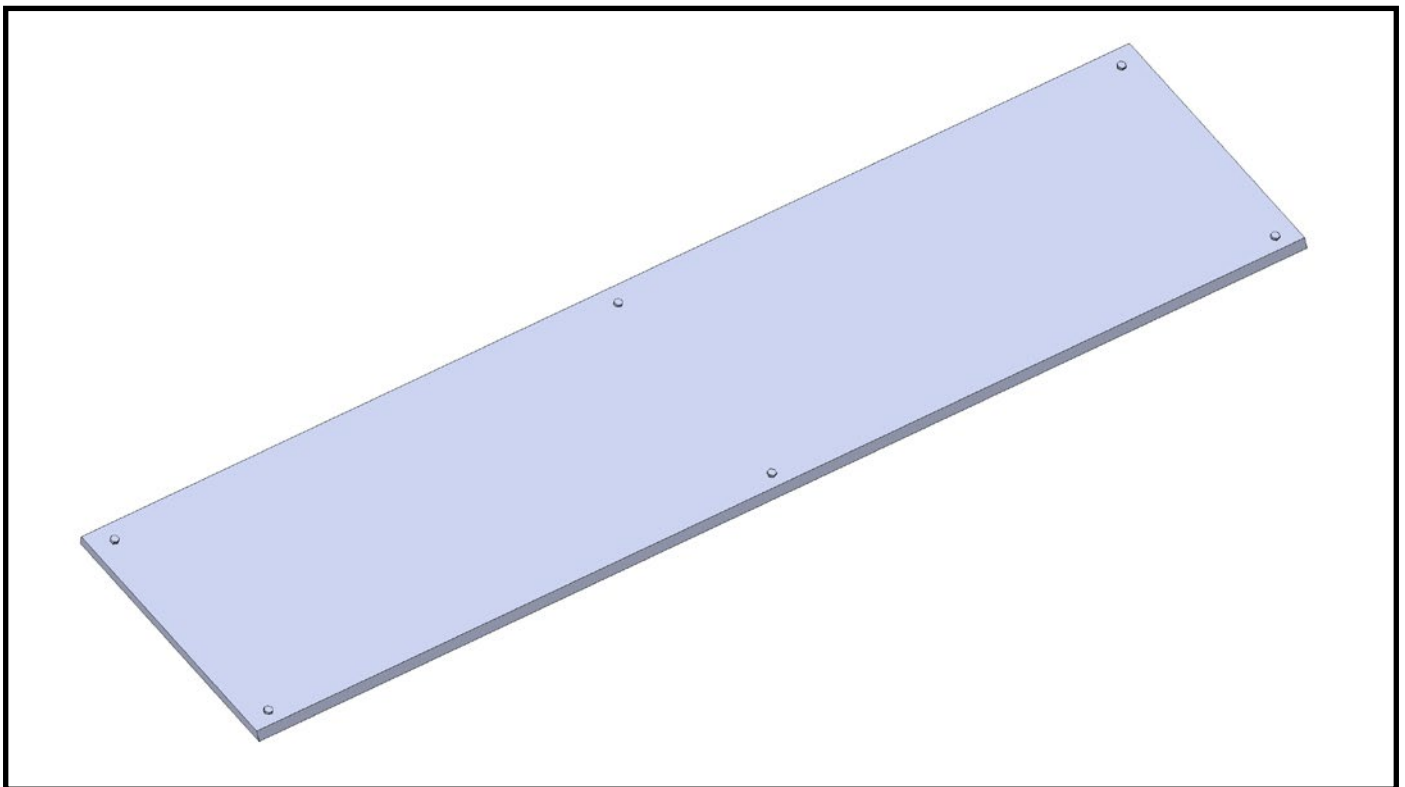
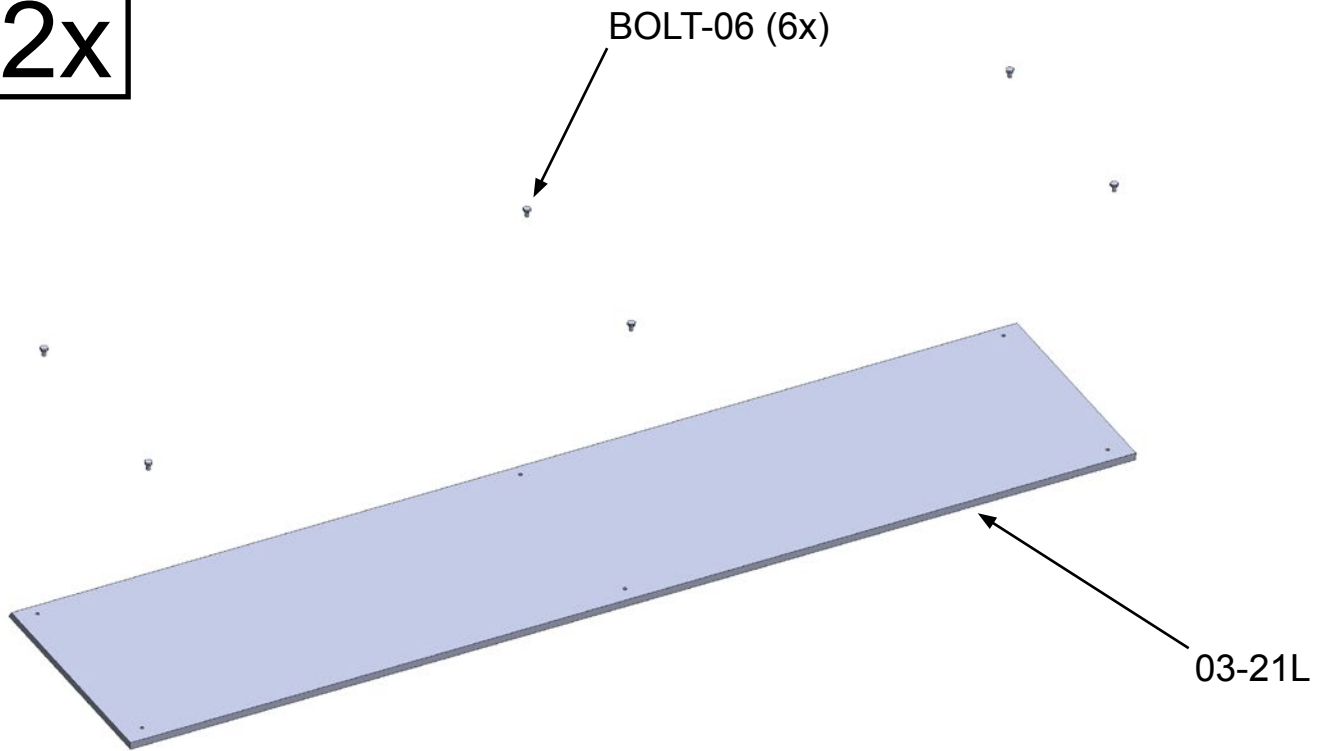
Glue parts 03-21J (4 pieces) to part 03-21I.

Glue so that the holes in parts 03-21J are aligned.

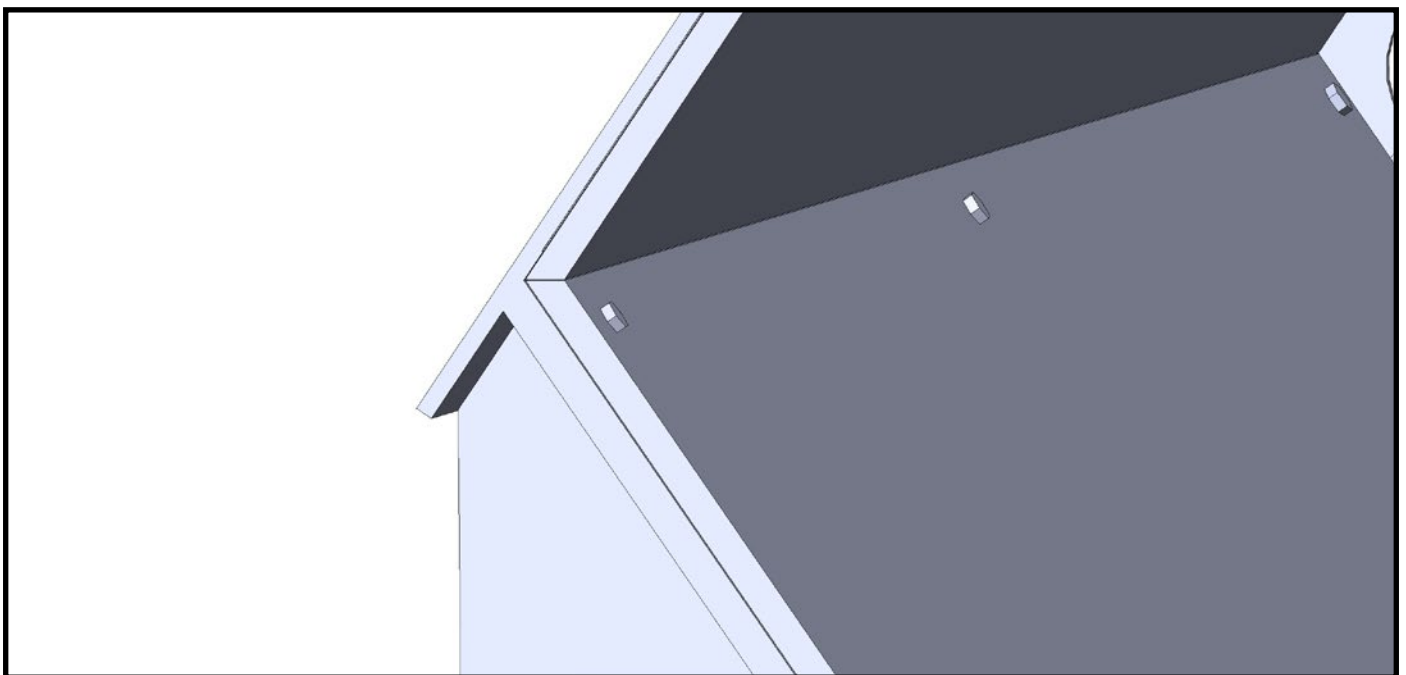
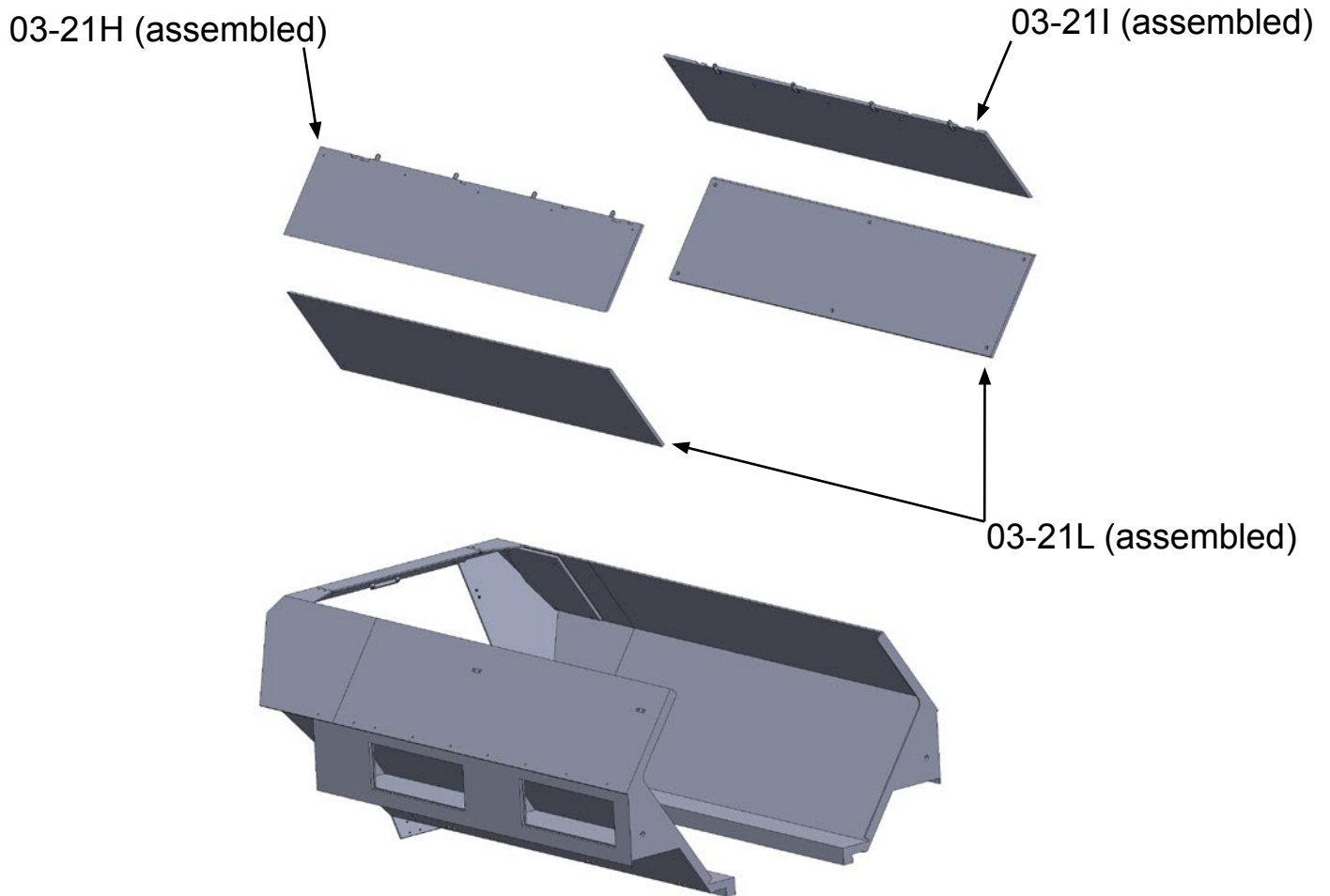
Then glue parts 03-21K (8 pieces) to part 03-21I.

Glue the plastic bolts BOLT-06 (5 pieces) onto part 03-21I.

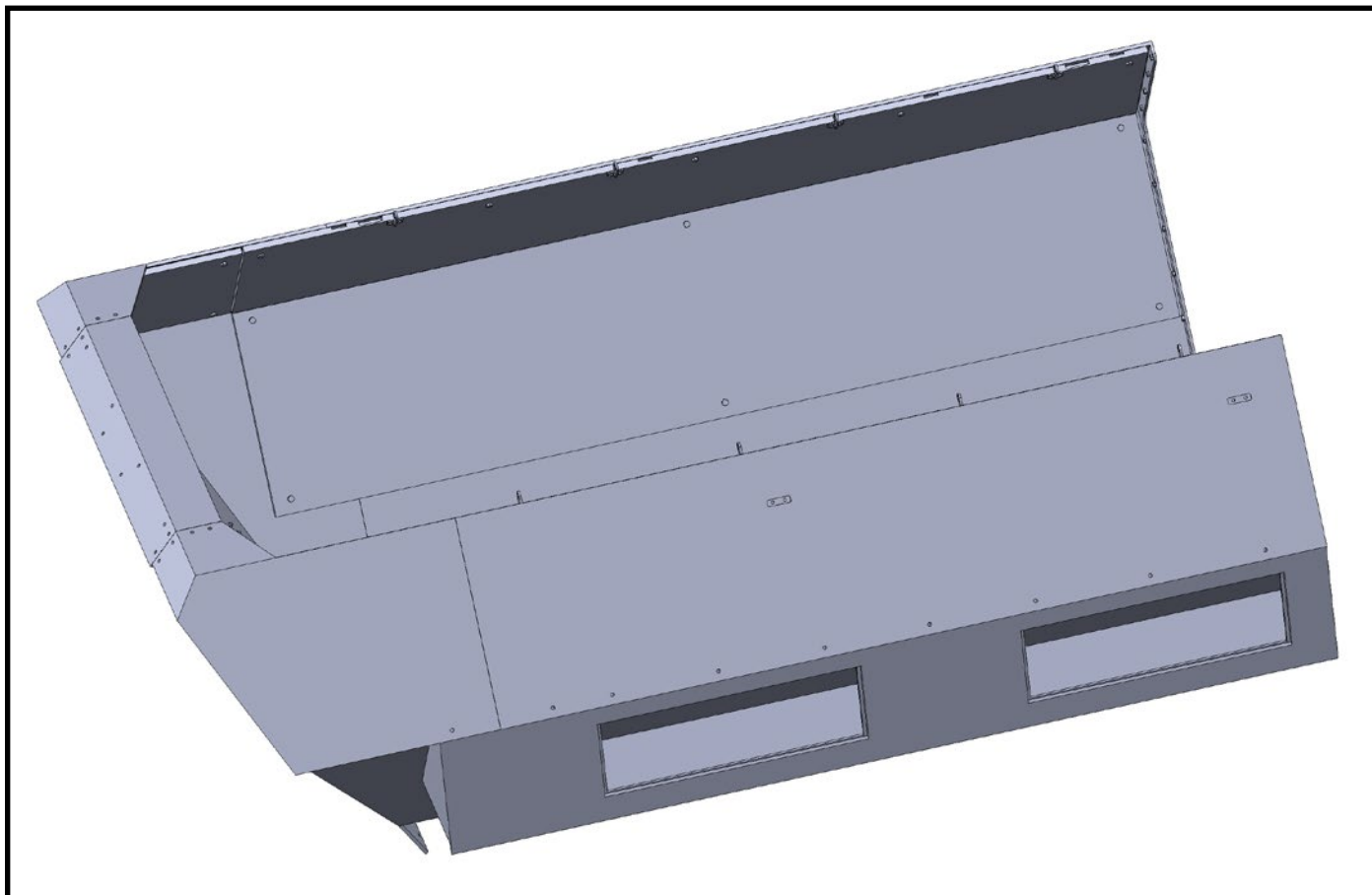
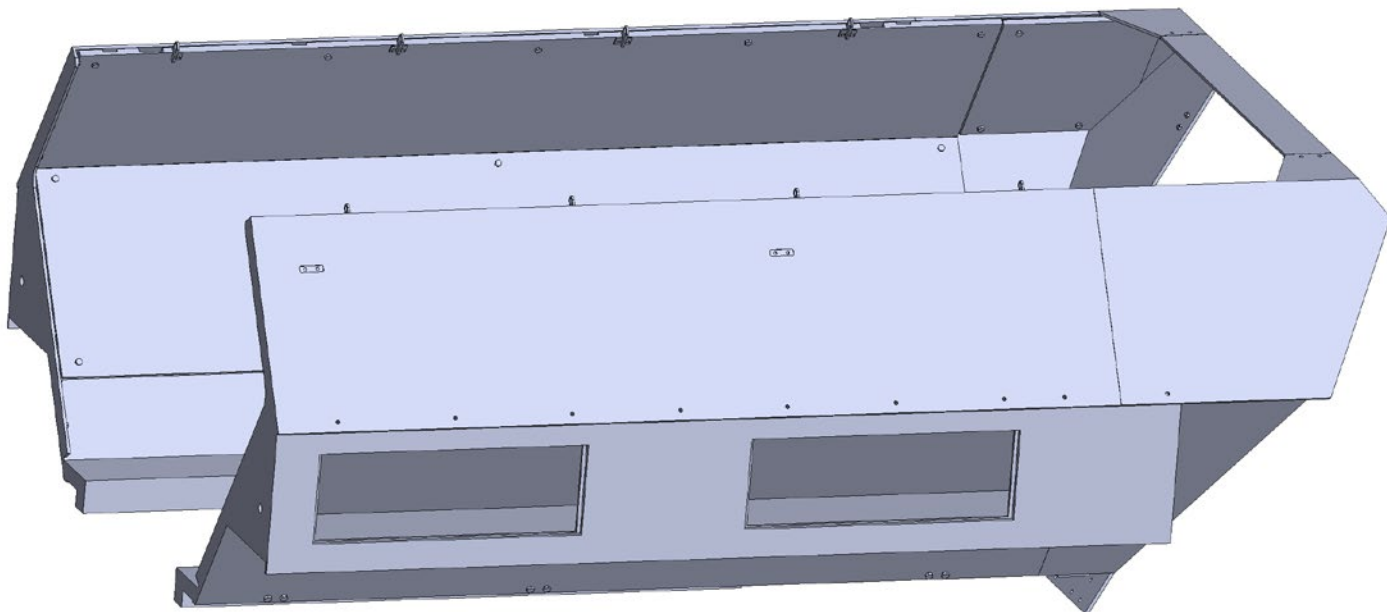
2x



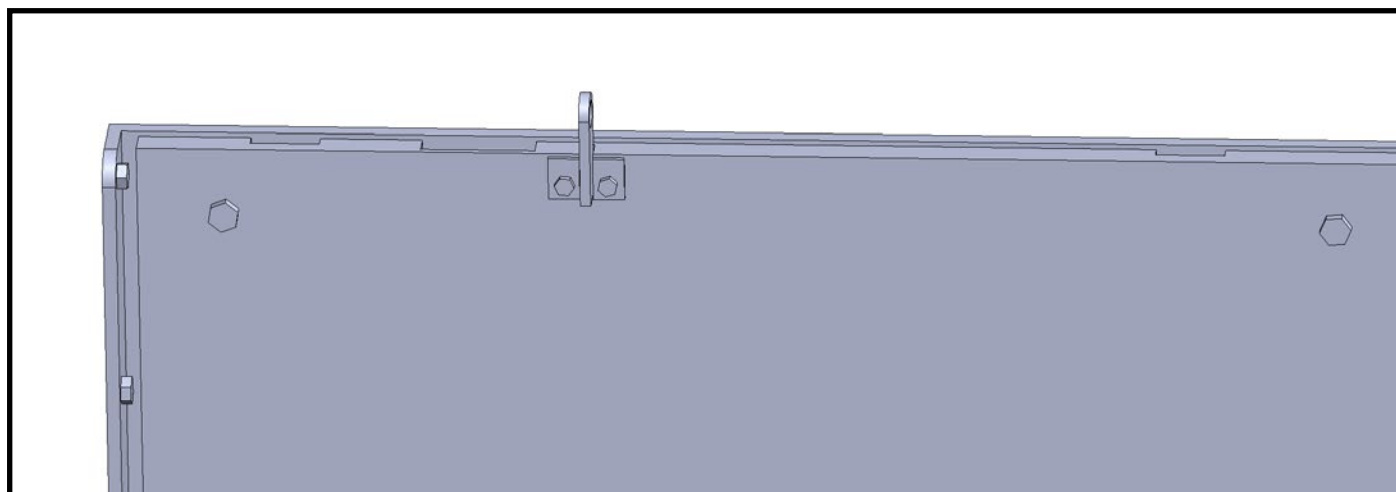
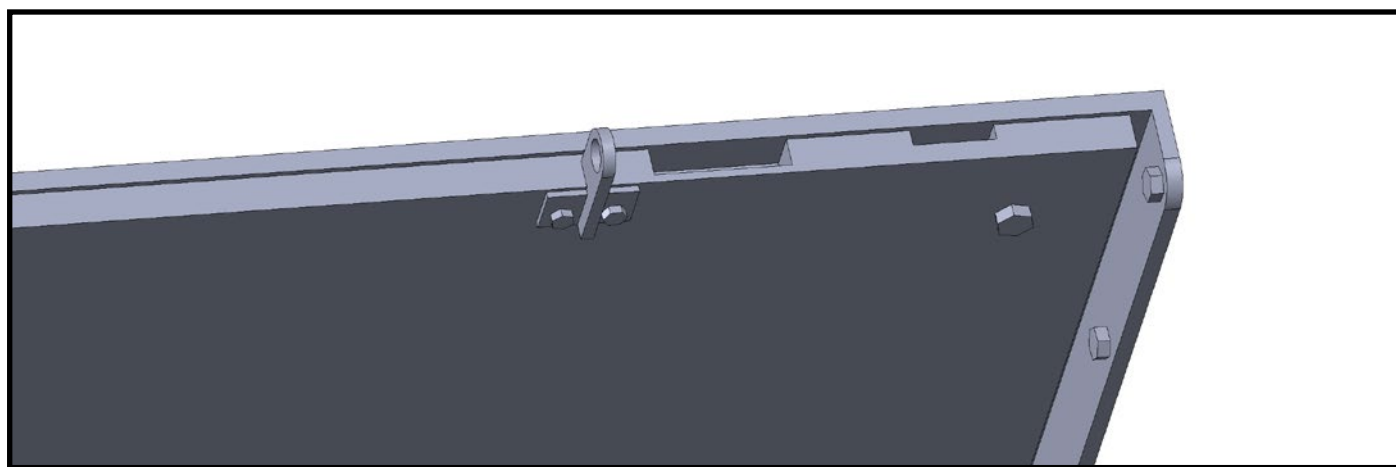
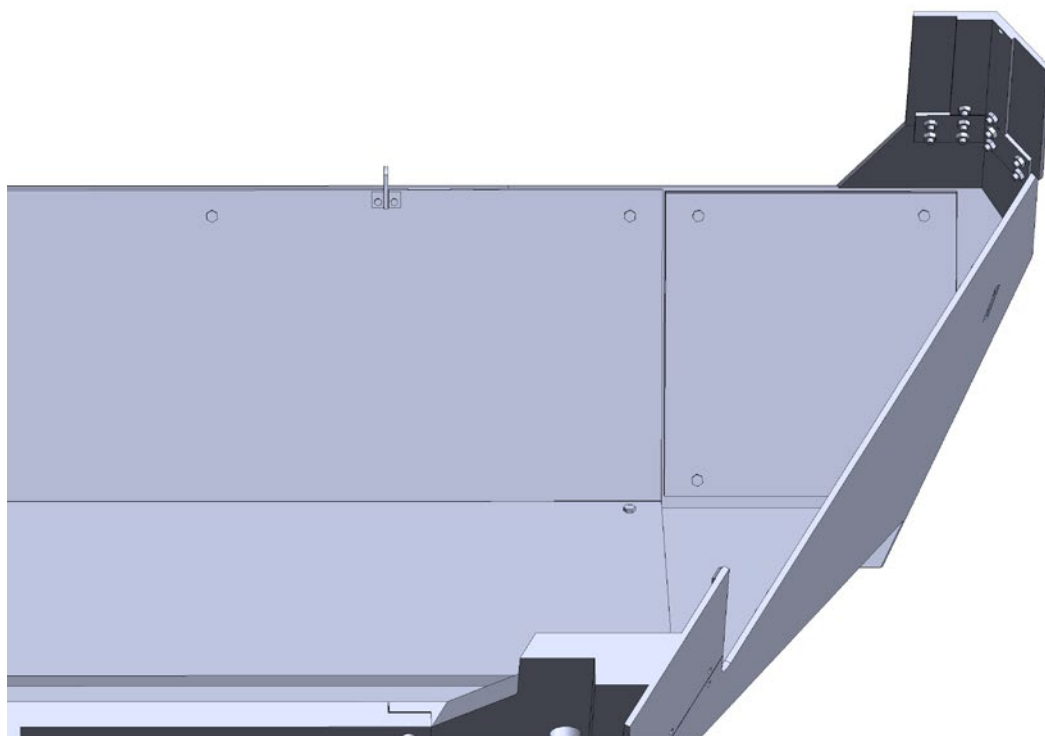
Glue the plastic bolts BOLT-06 (6 pieces) onto part 03-21L.
Repeat twice.



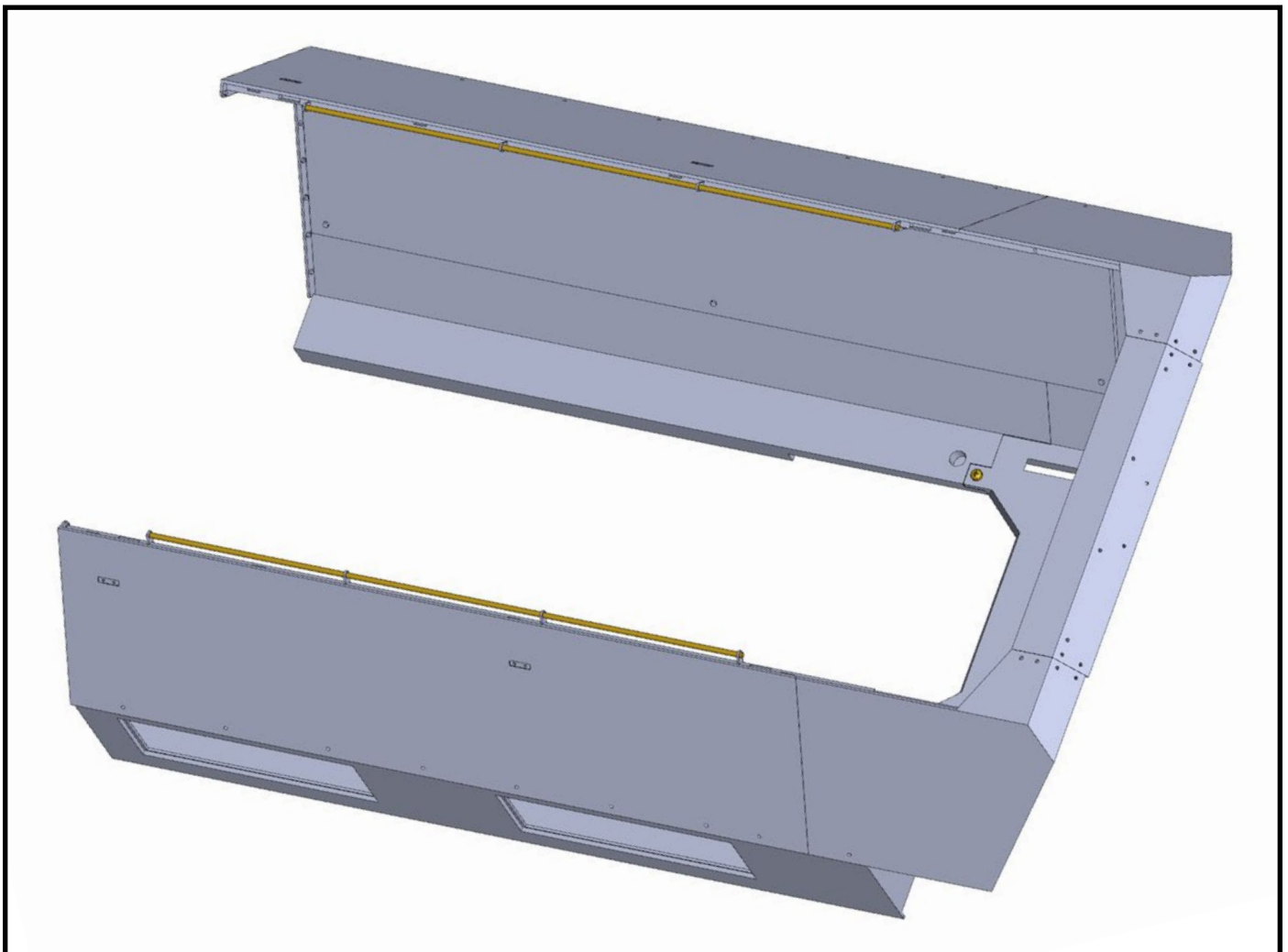
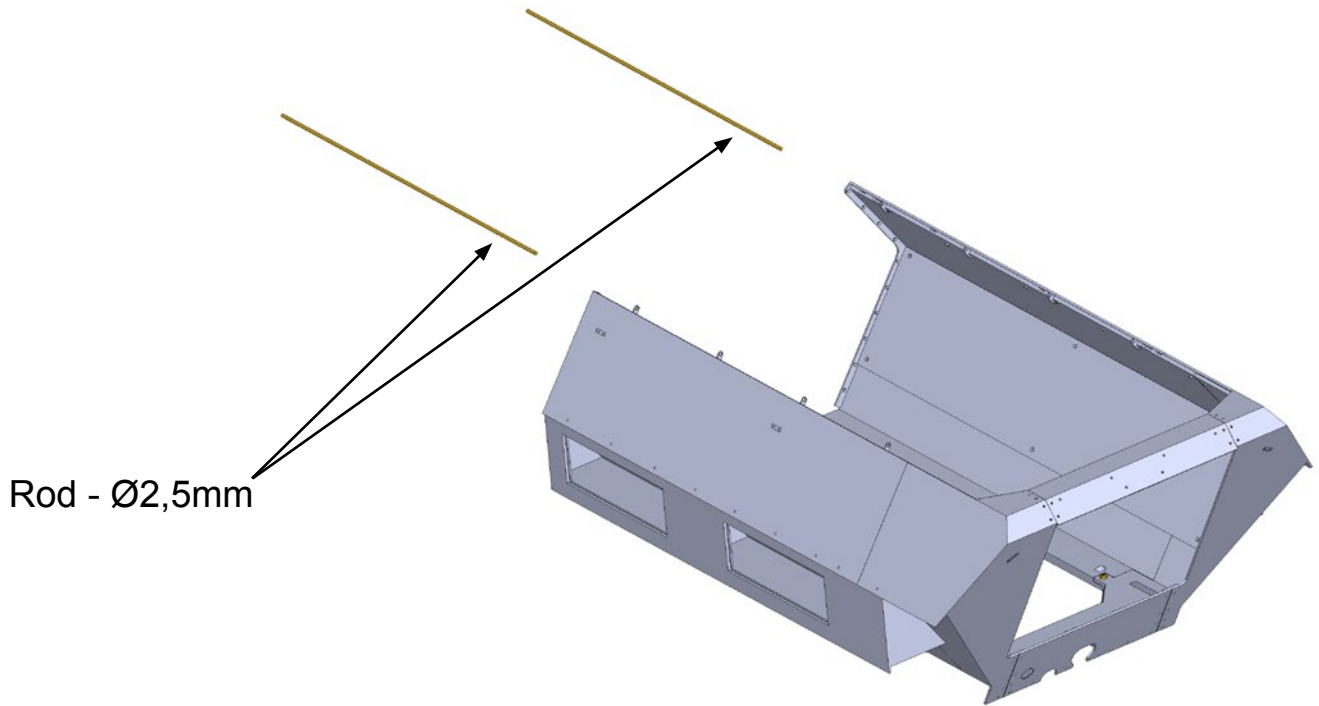
Glue assemblies 03-21H, 03-21I, and 03-21L (2x) to the other 03-21 parts. Perform a dry fit. **Be careful not to confuse parts 03-21H and 03-21I.** Before gluing, refer to the auxiliary views on the next two pages.



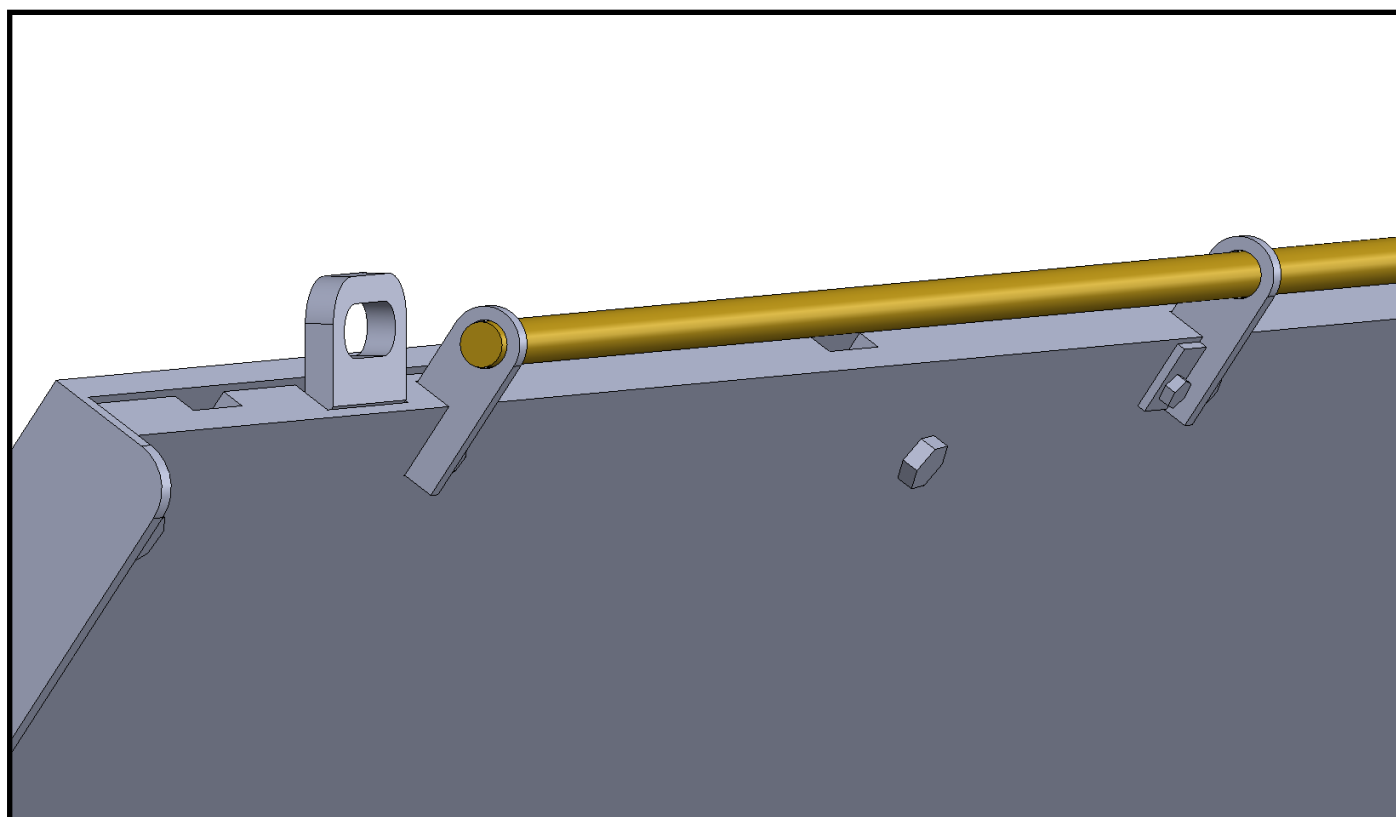
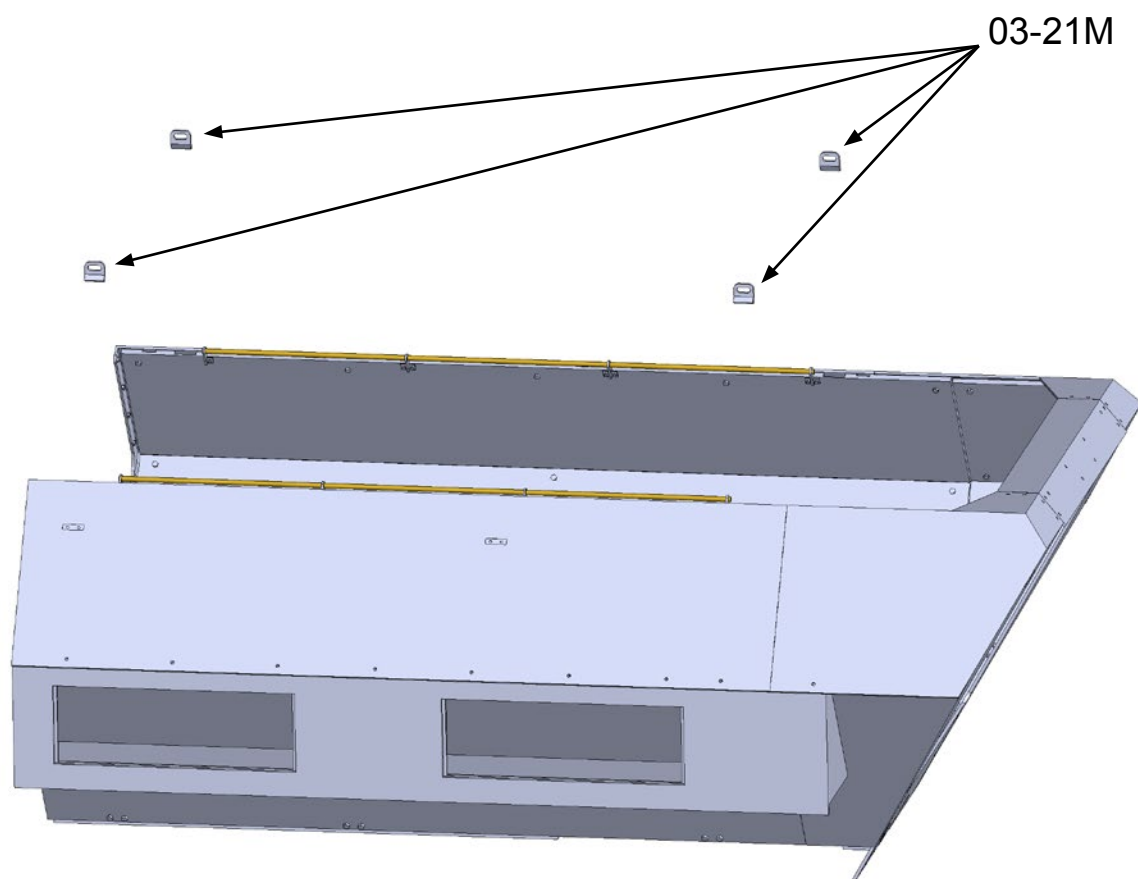
Auxiliary views for installation of parts 03-21.



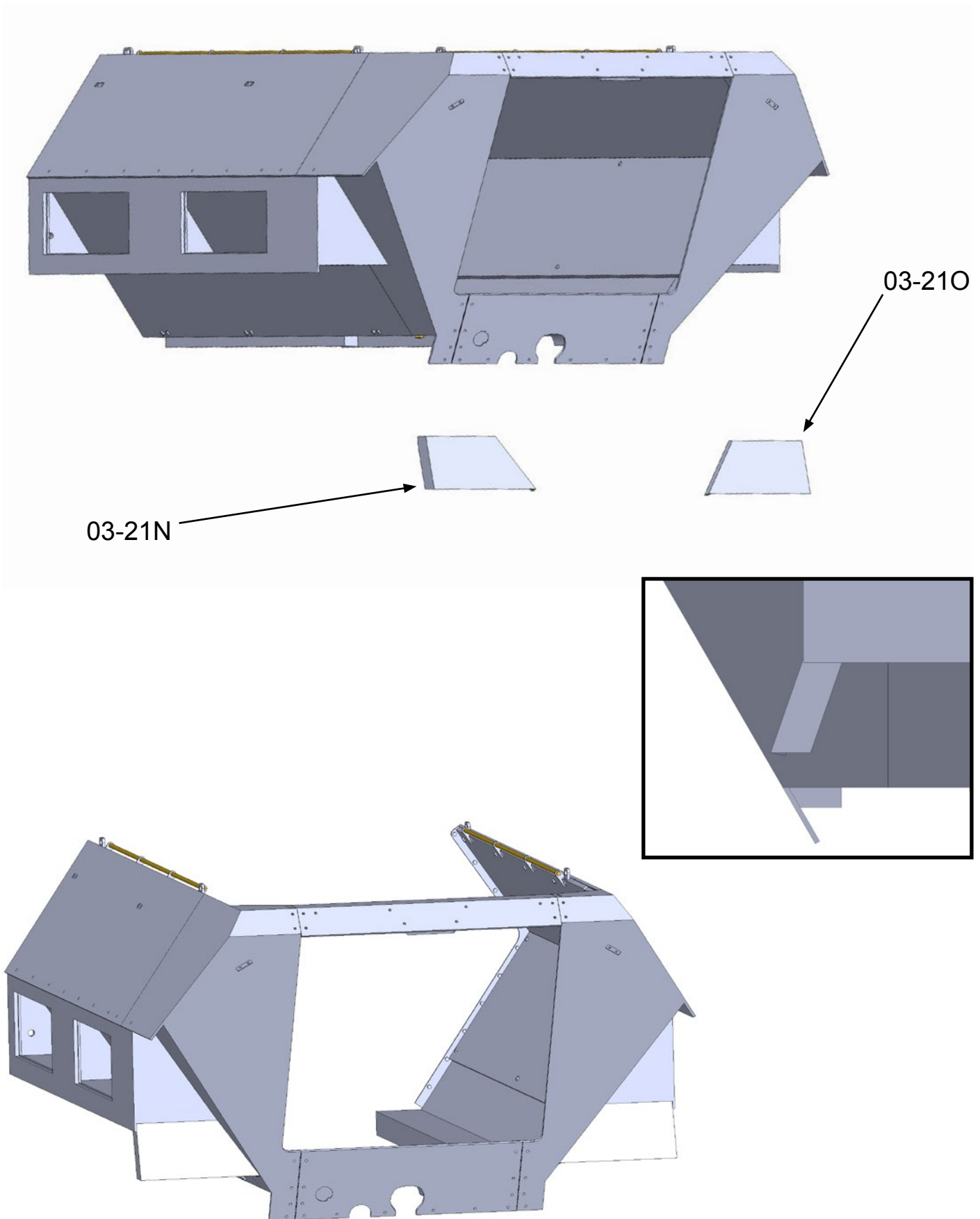
Auxiliary views for installation of parts 03-21.



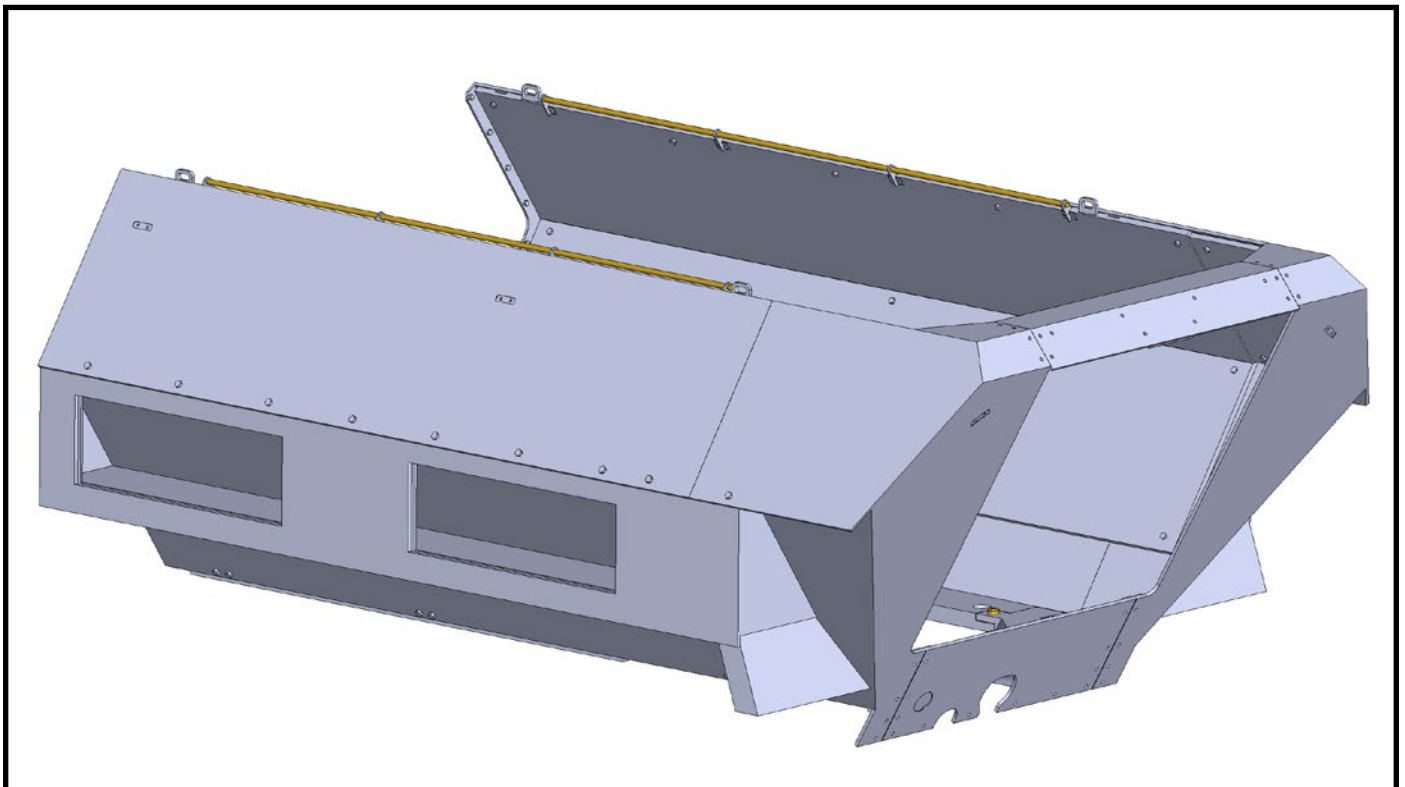
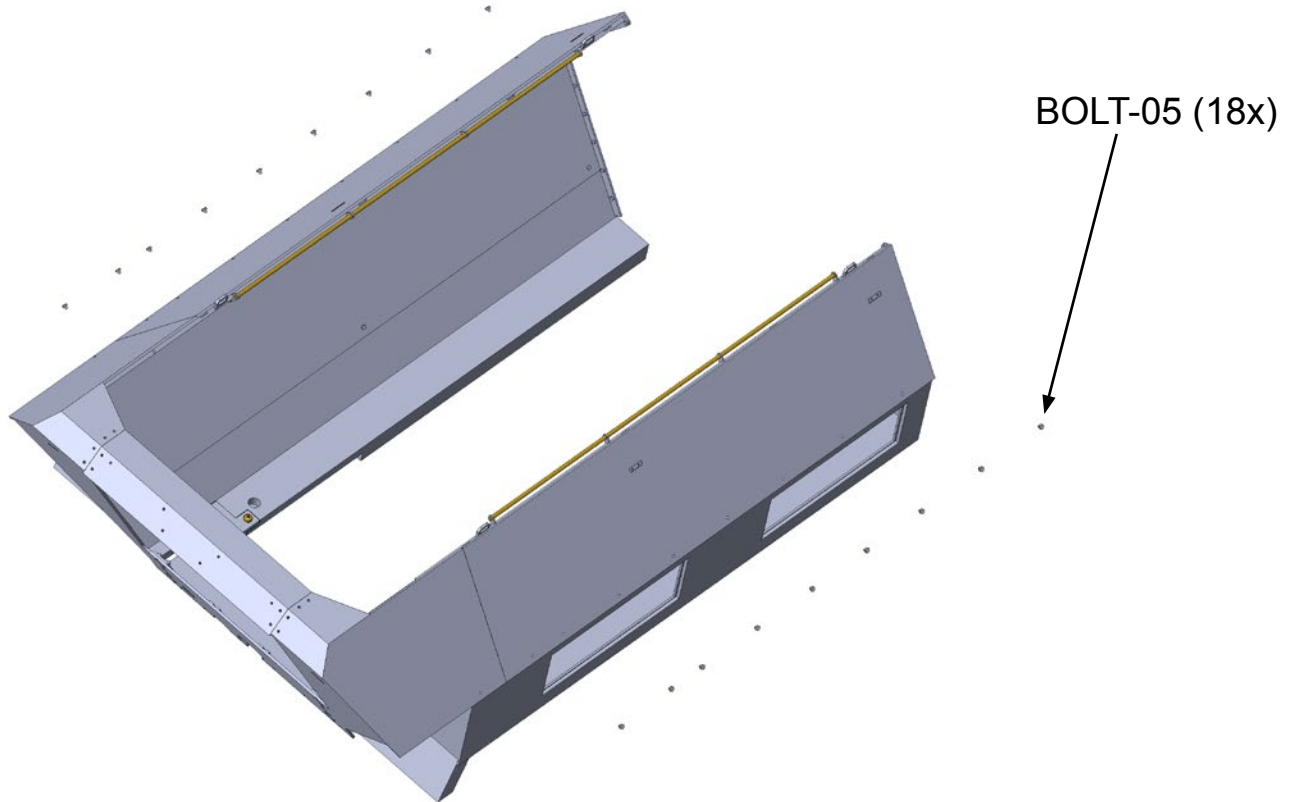
Insert a 2.5 mm diameter rod into parts 03-21J. Secure with glue.



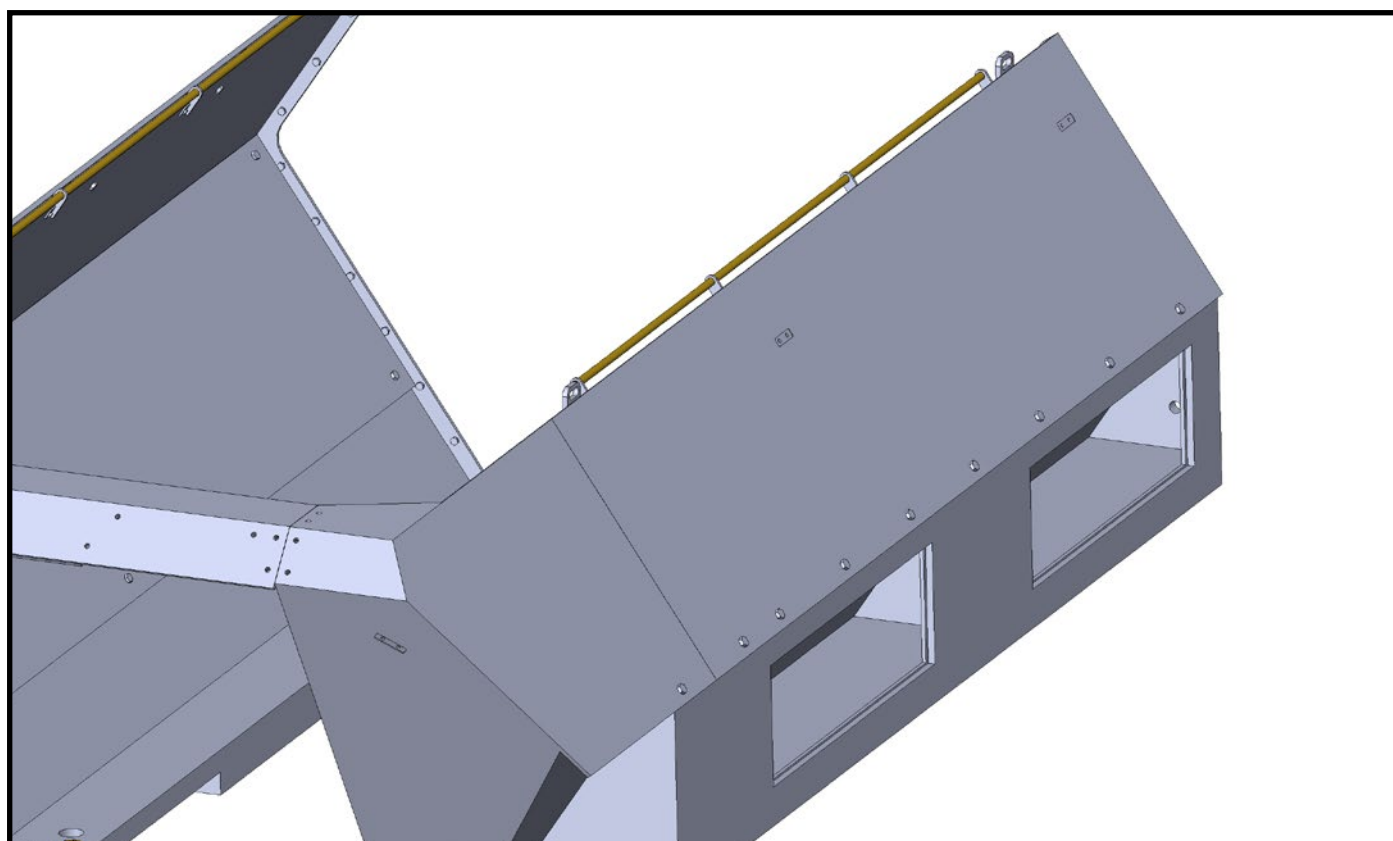
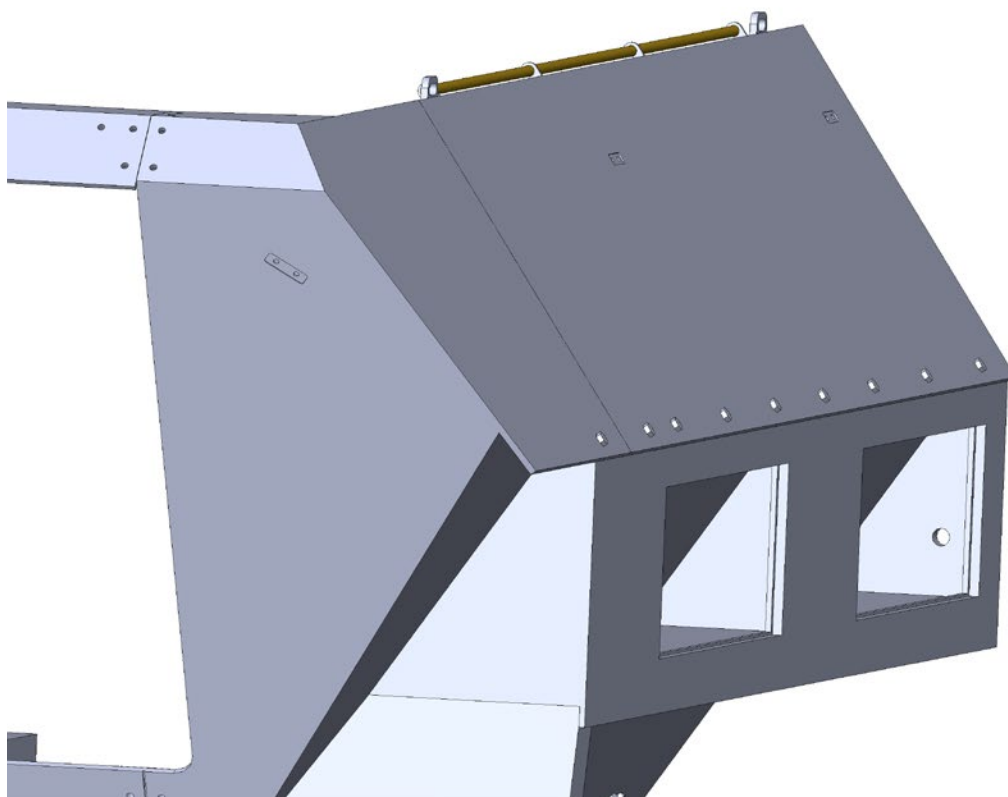
Glue four parts 03-21M.



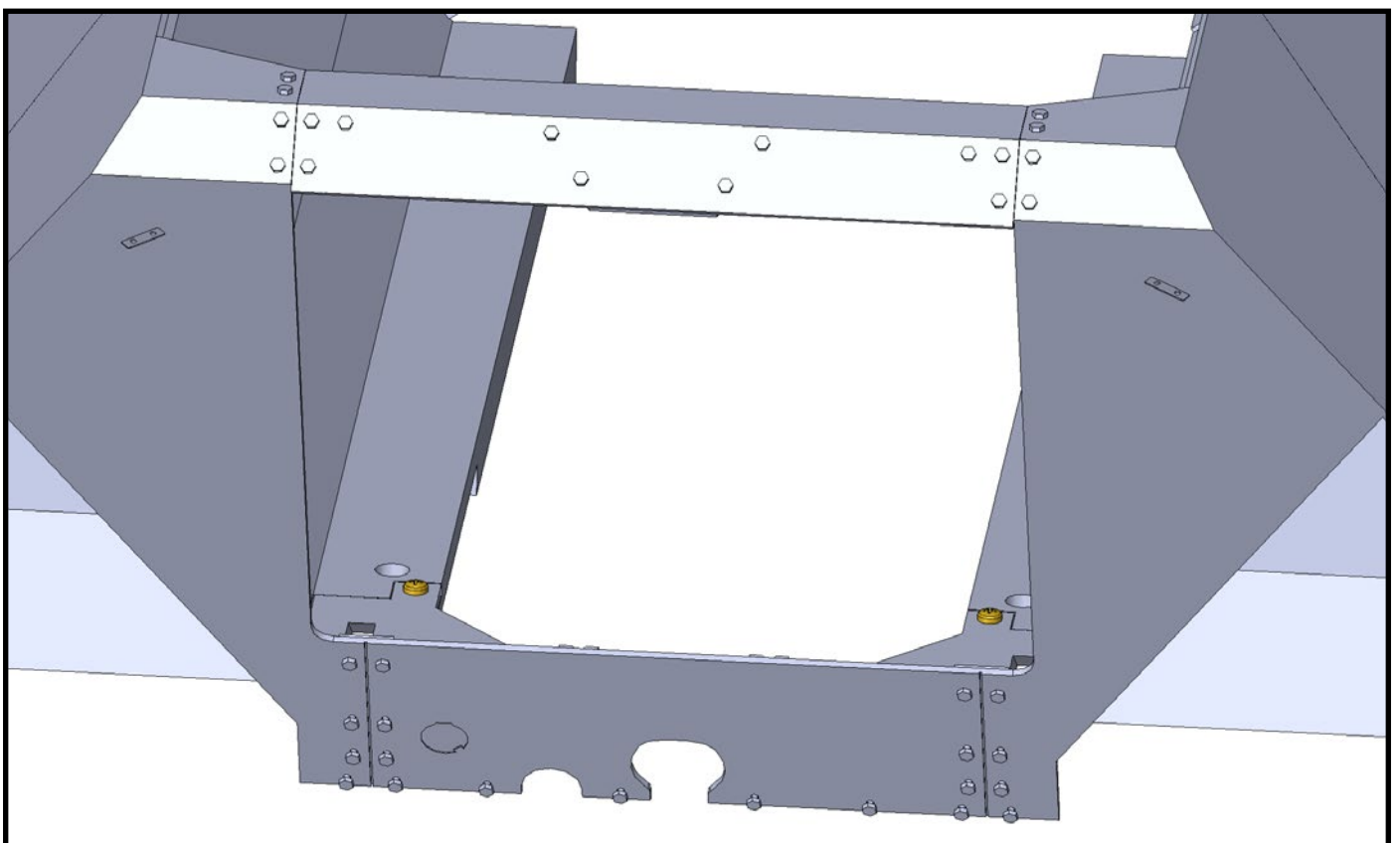
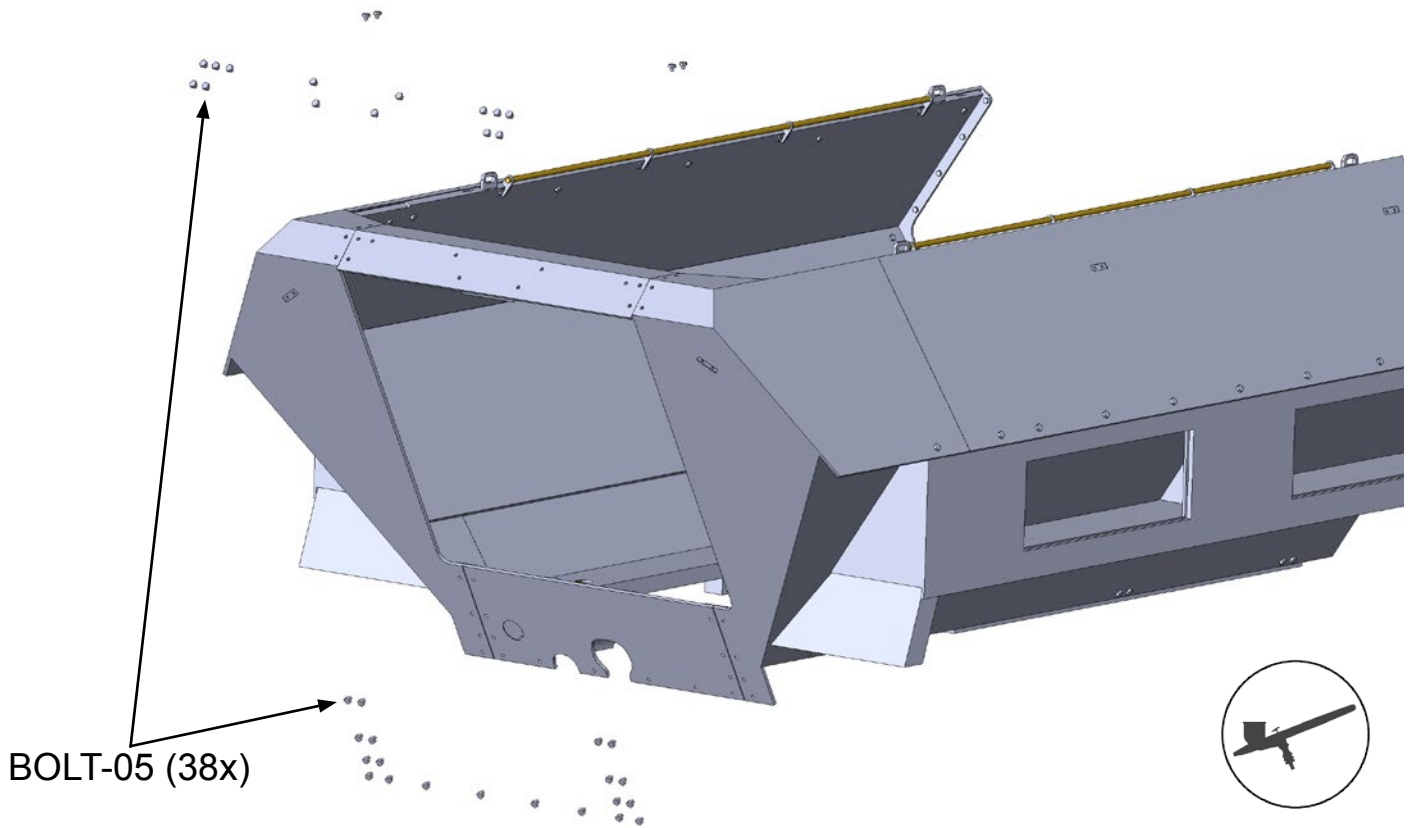
Glue parts 03-21N and 03-21O to part 03-21C.



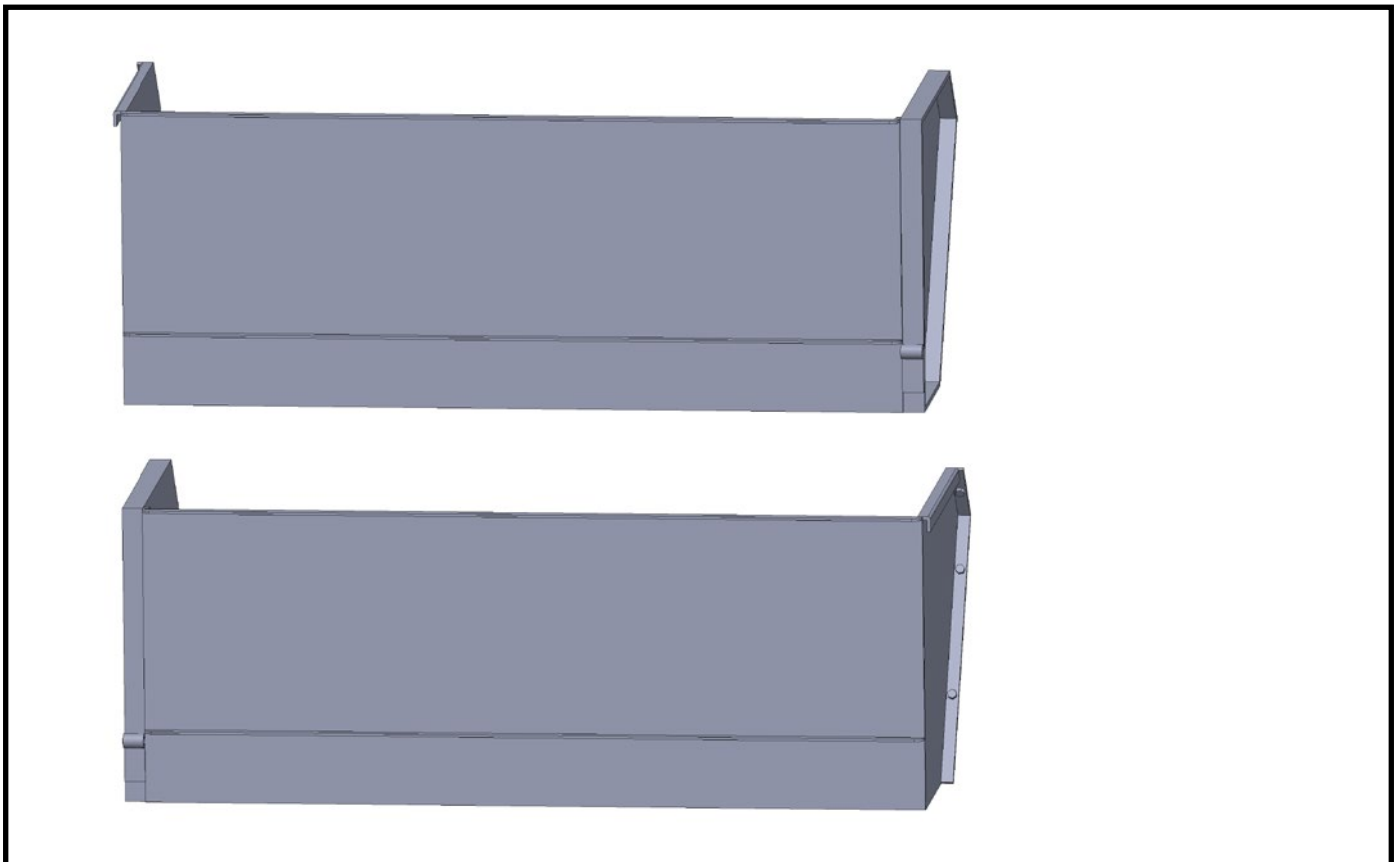
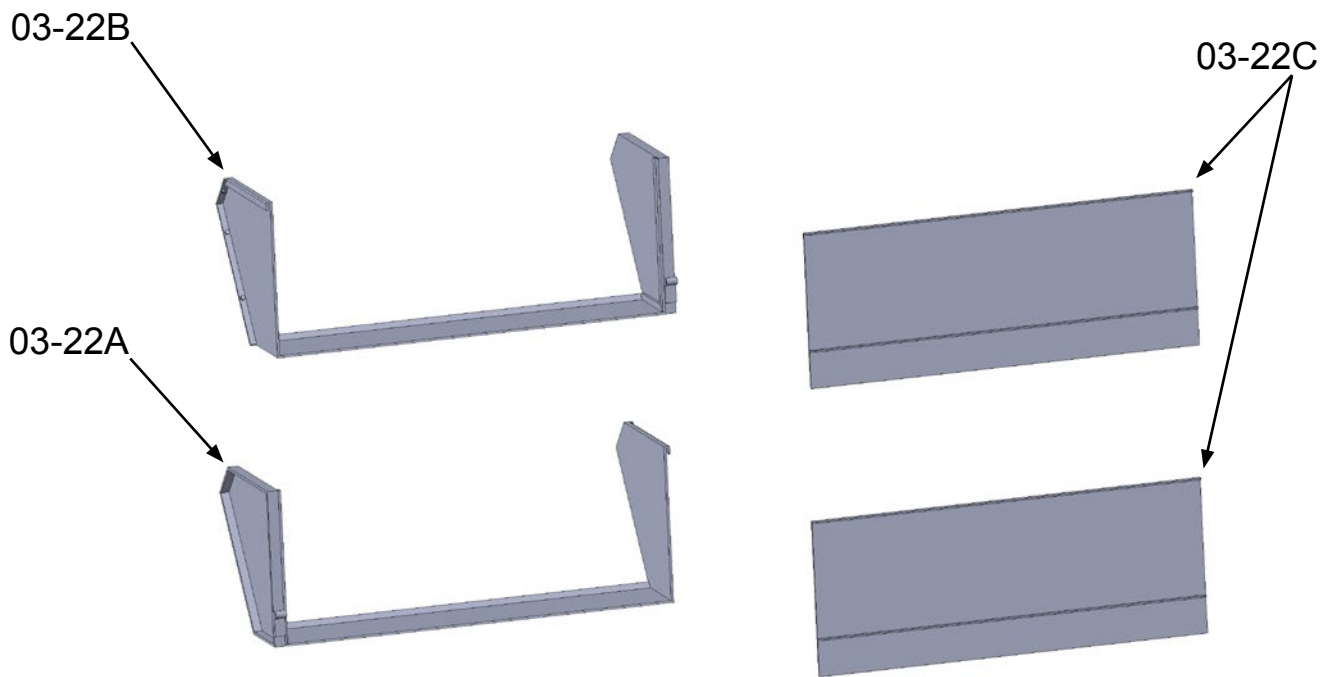
Glue the plastic bolts BOLT-05 (18 pieces) onto assembly 03-21.



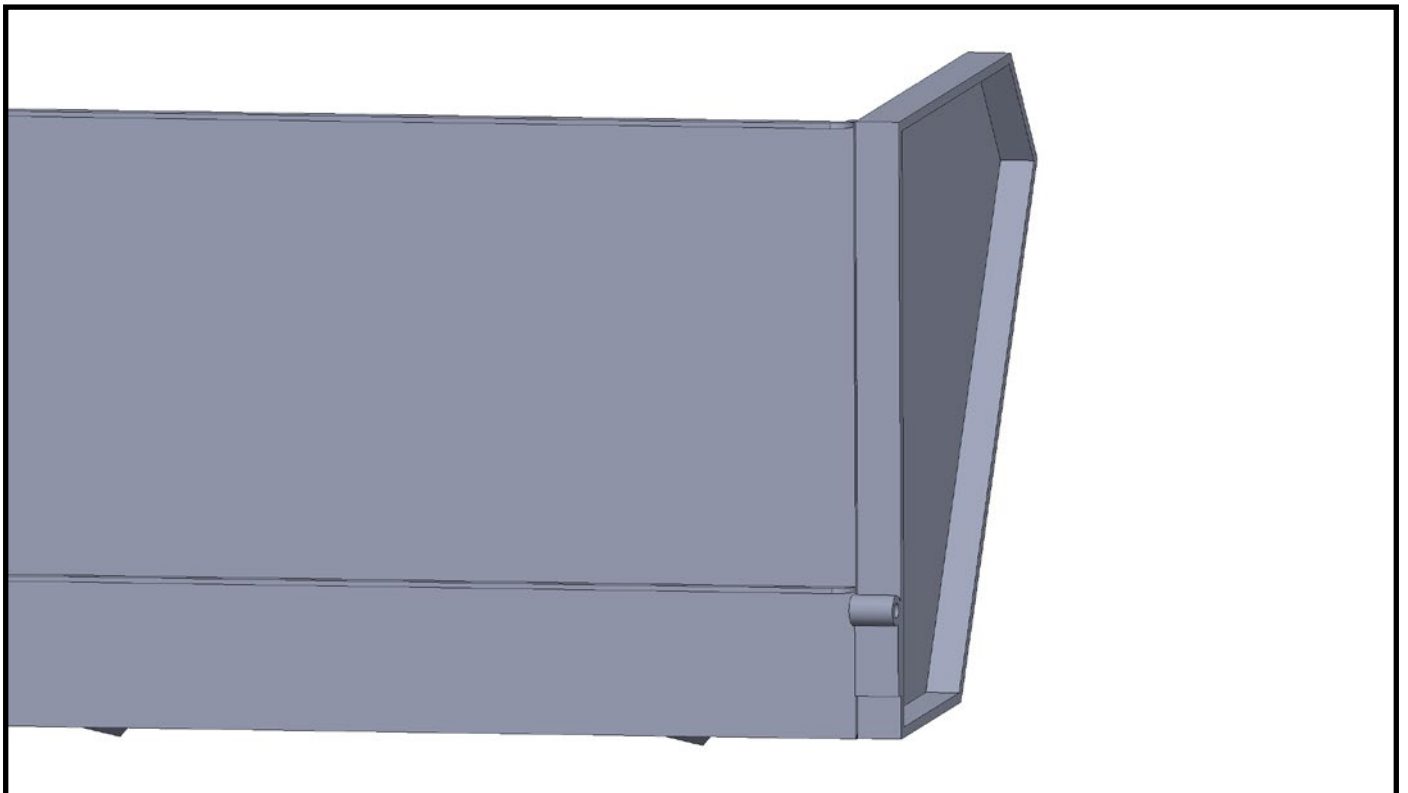
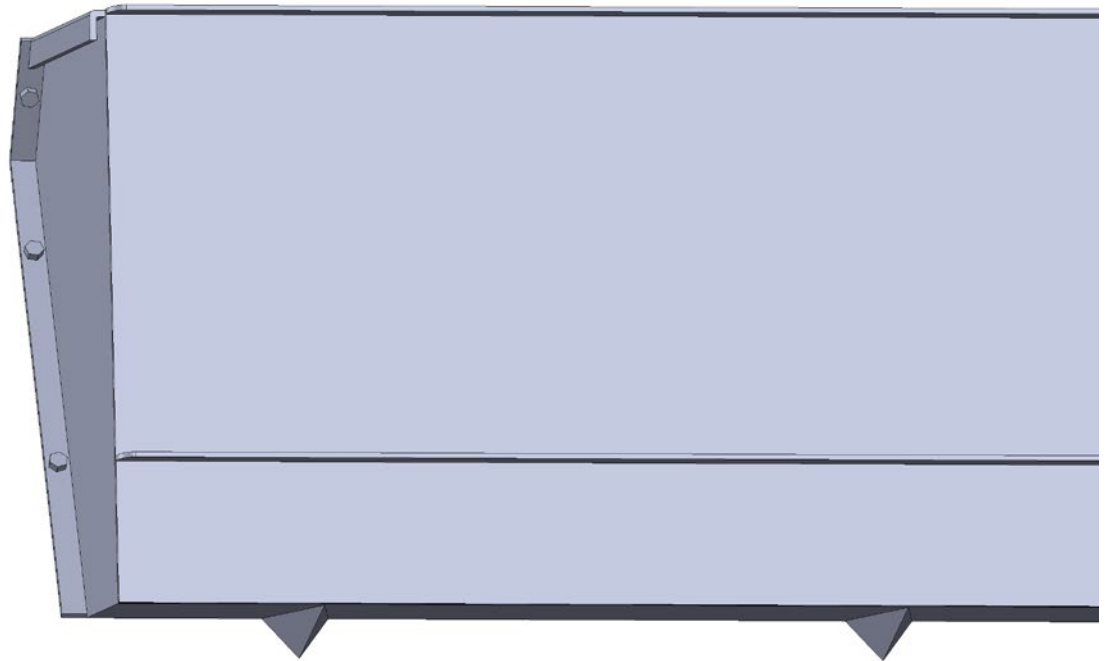
Auxiliary views for installation of BOLT-05.



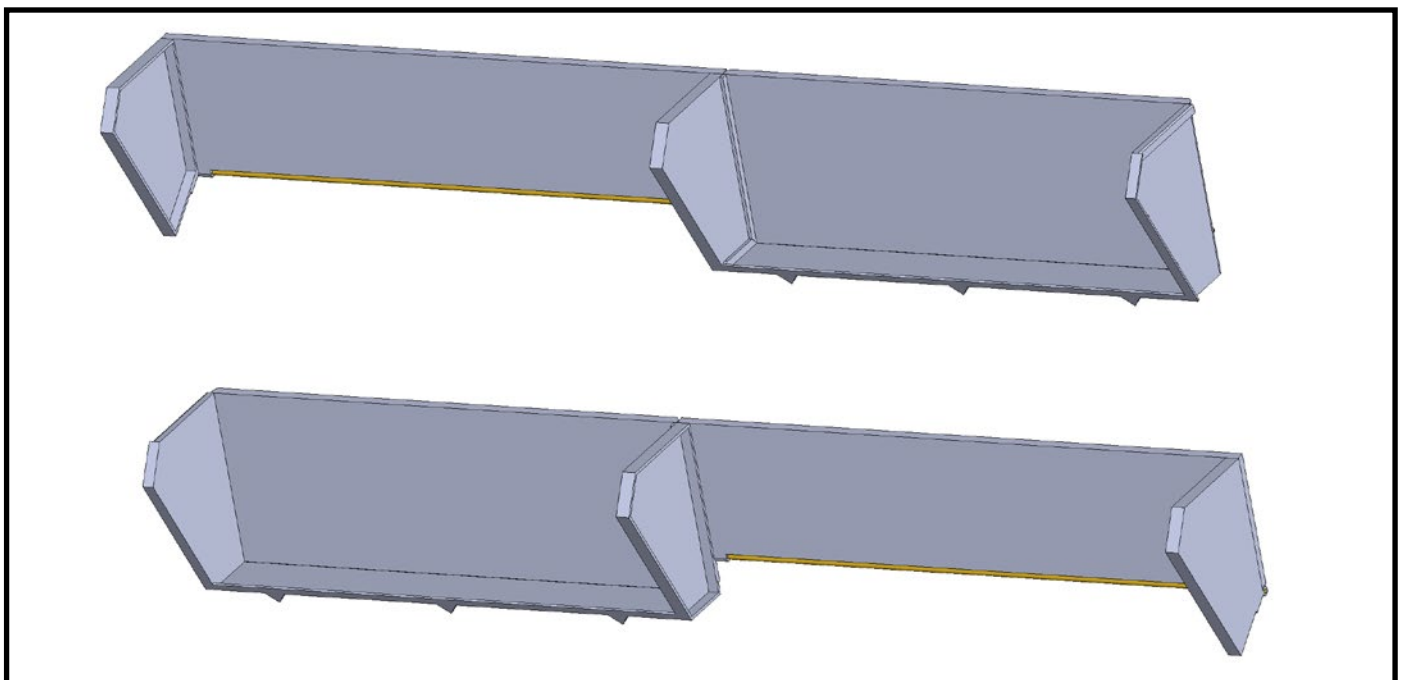
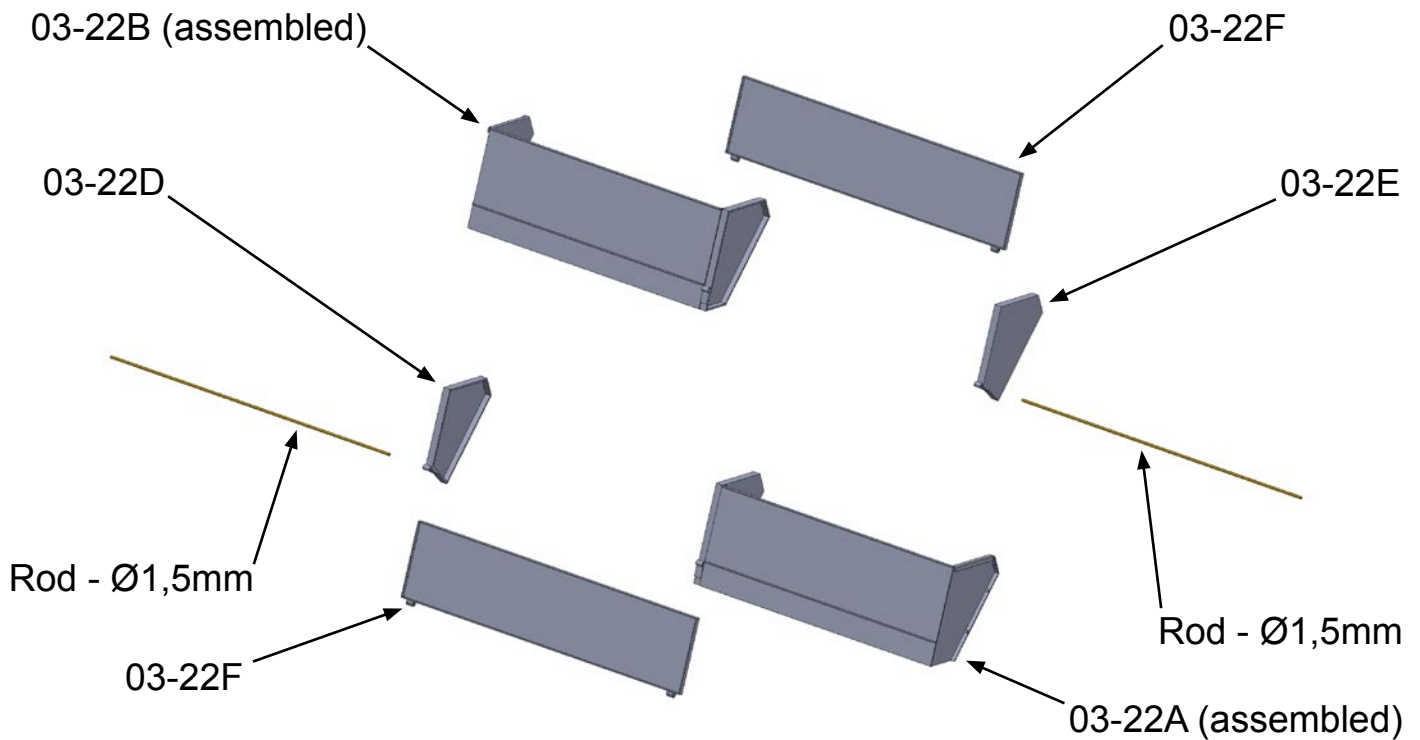
Glue the plastic bolts BOLT-05 (38 pieces) onto assembly 03-21.
Paint all parts after this step.



Glue part 03-22A to part 03-22C. Glue part 03-22B to part 03-22C.
Parts 03-22A and 03-22B are mirrored in relation to each other.



Auxiliary views for installation of parts 03-22A and 03-22B.



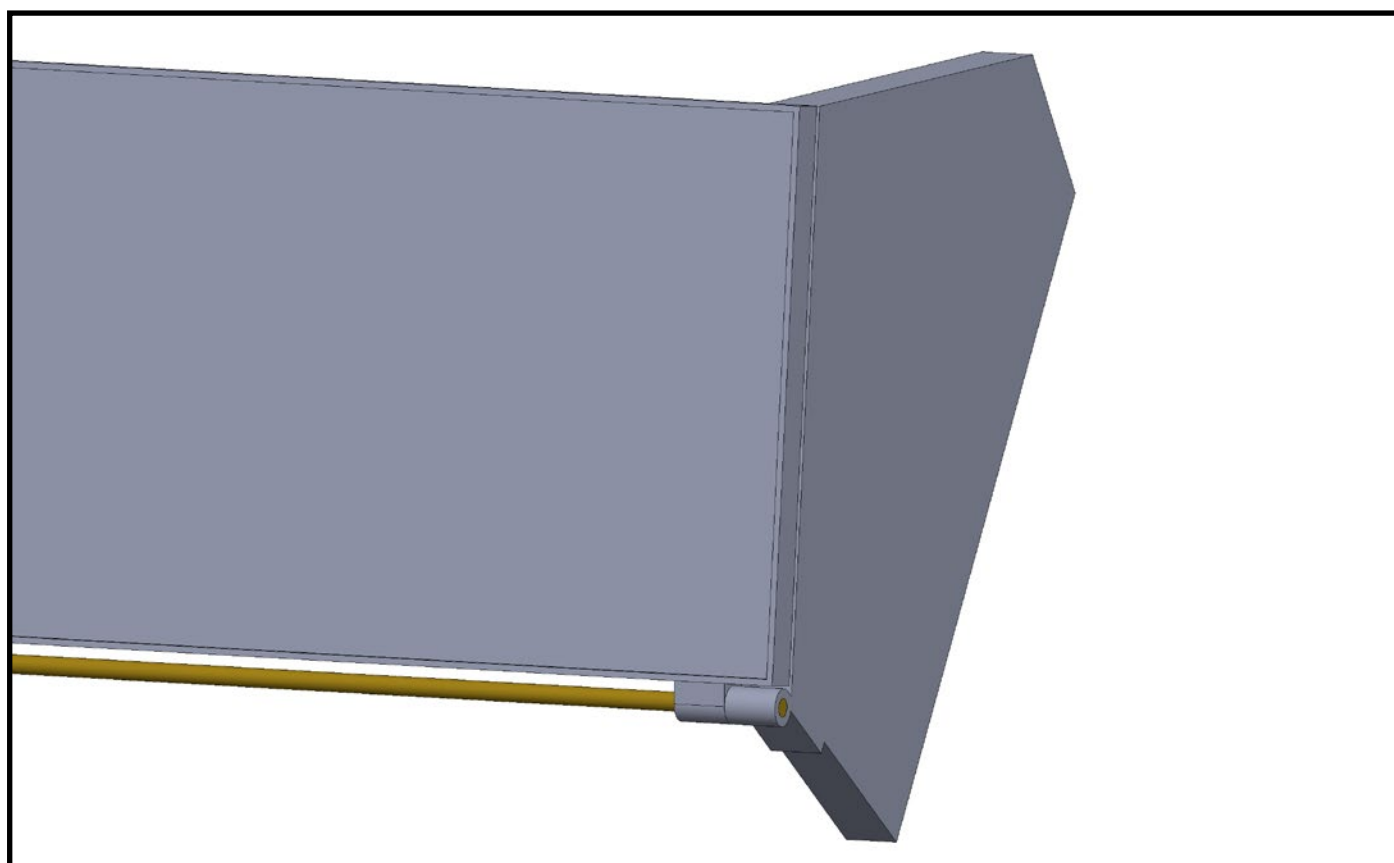
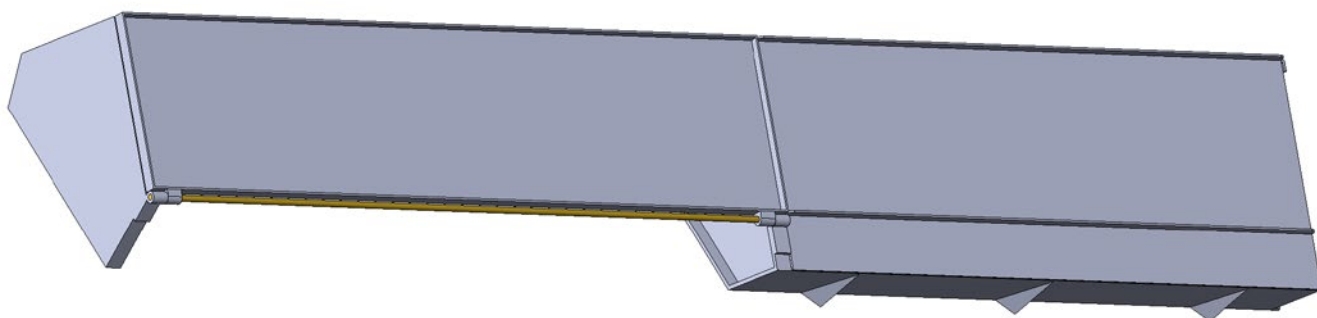
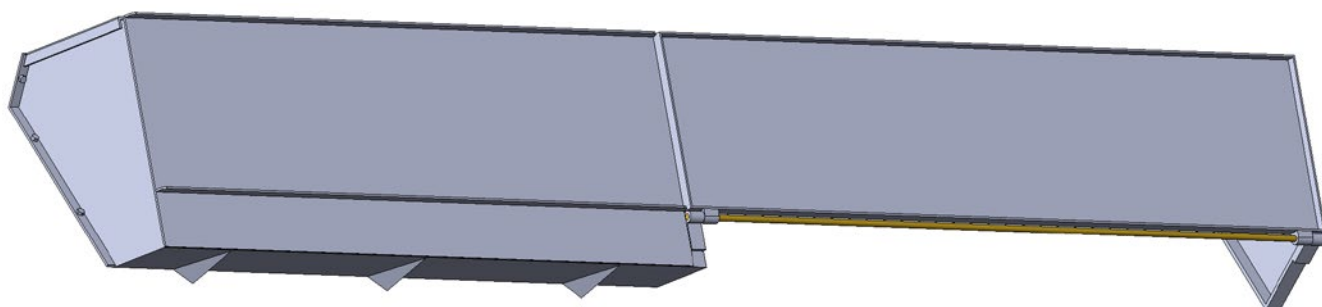
Connect part 03-22F to assemblies 03-22A and 03-22B using a 1,5 mm diameter rod.

Connect part 03-22D to the rod attached to part 03-22A as shown in the illustration.

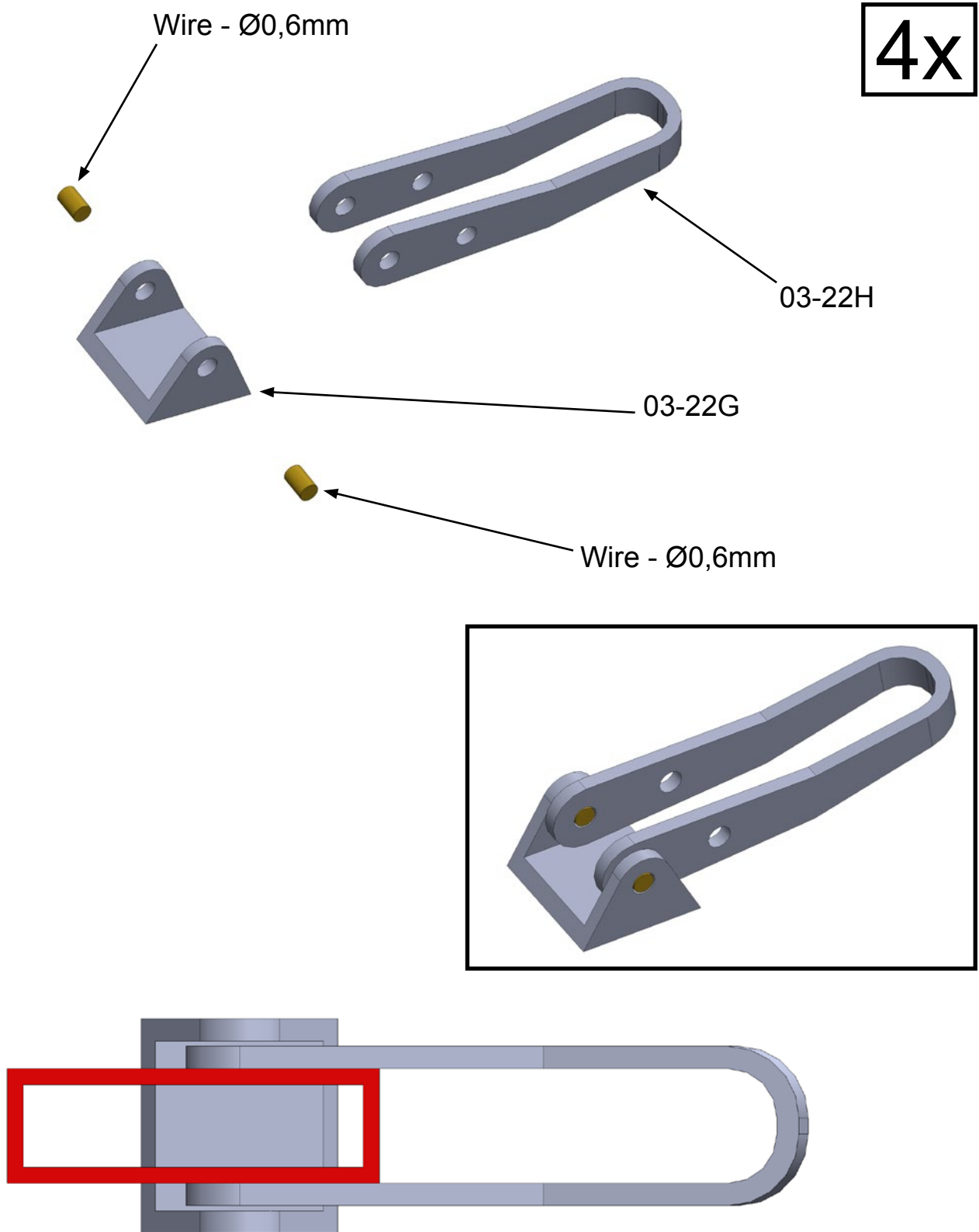
Connect part 03-22E to the rod attached to part 03-22B.

Check that the assembly is correct according to the bottom picture.

Align the rear sides of the parts as shown in the bottom picture, then apply glue to the ends of the rods in parts 03-22A, 03-22B, 03-22D, and 03-22E.

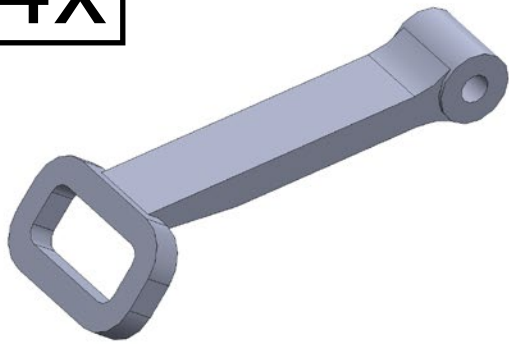


Auxiliary views for installation of parts 03-22D, 03-22E and 03-22F.

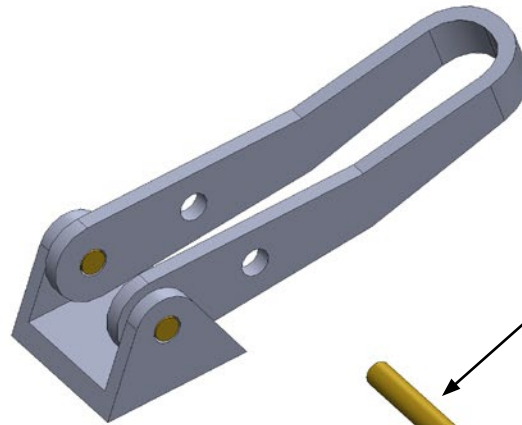


Connect parts 03-22G and 03-22H with a 0.6 mm diameter wire.
Secure the wire to part 03-22G using a drop of glue.
See the image below – the wire must not interfere
with the area marked with a red rectangle. Repeat four times.

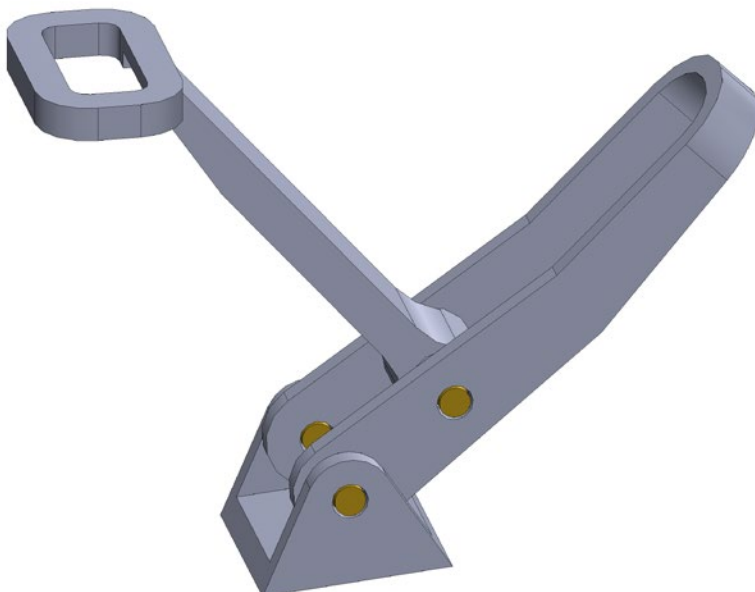
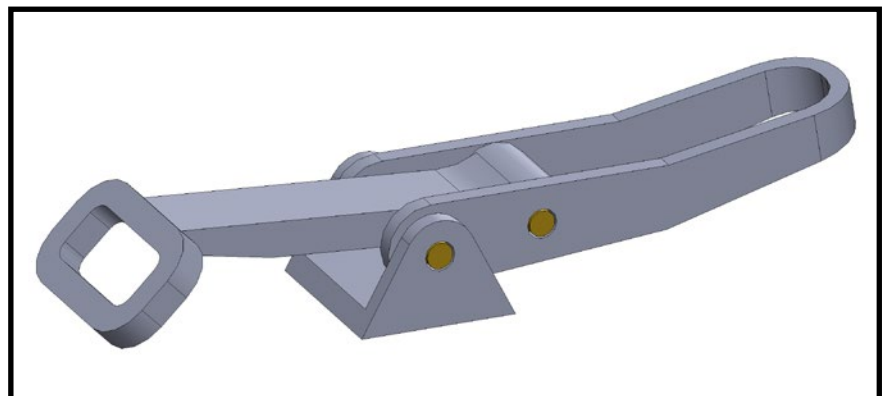
4x



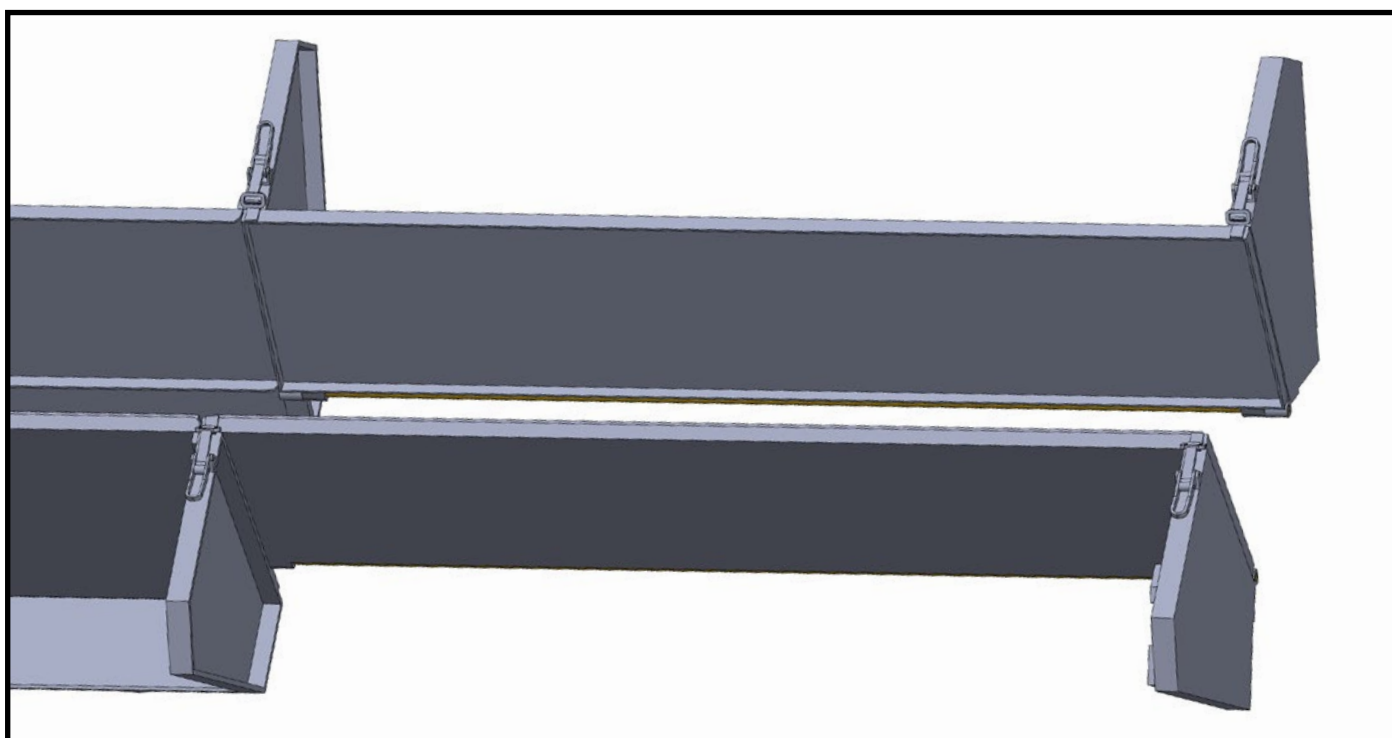
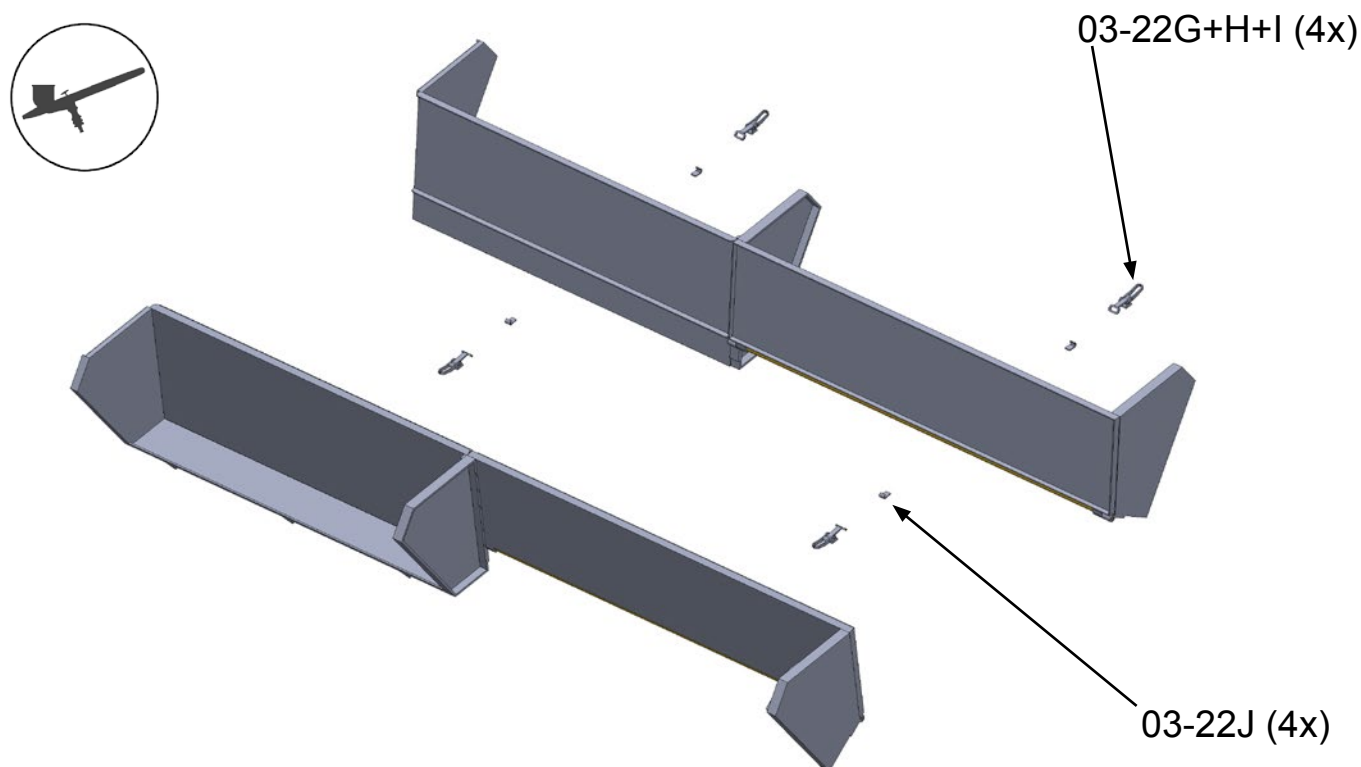
03-22I



Wire - Ø0,6mm



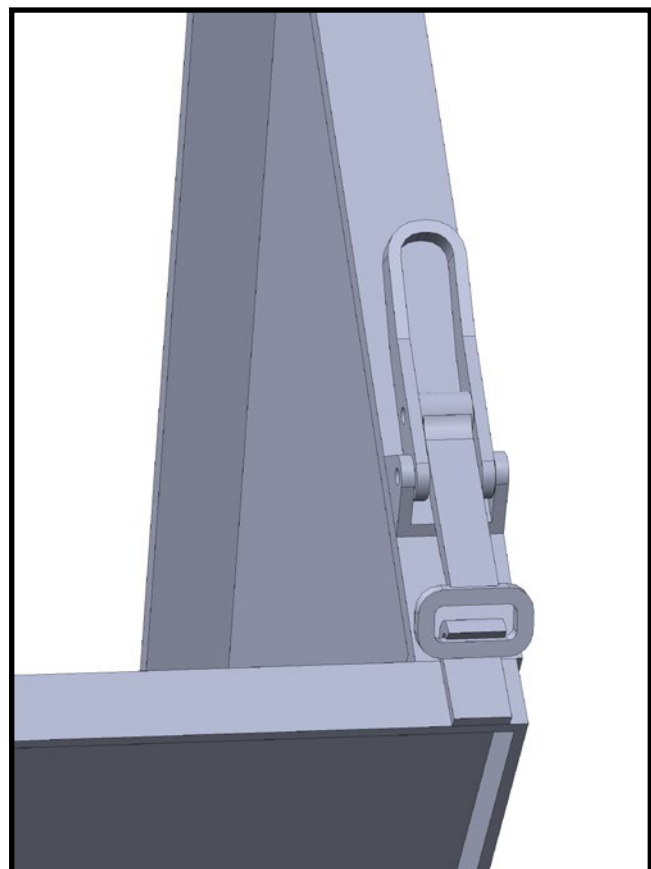
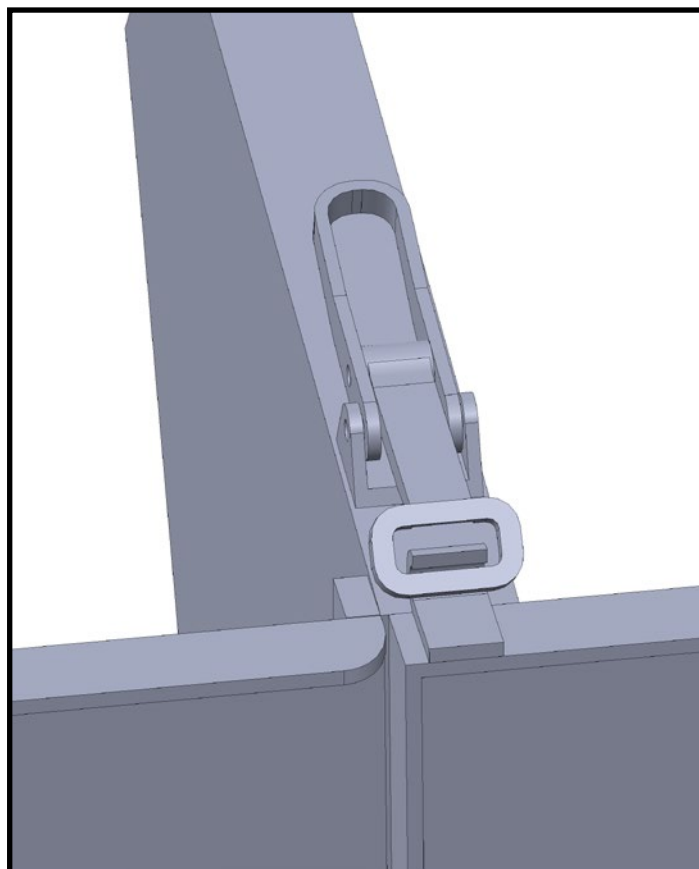
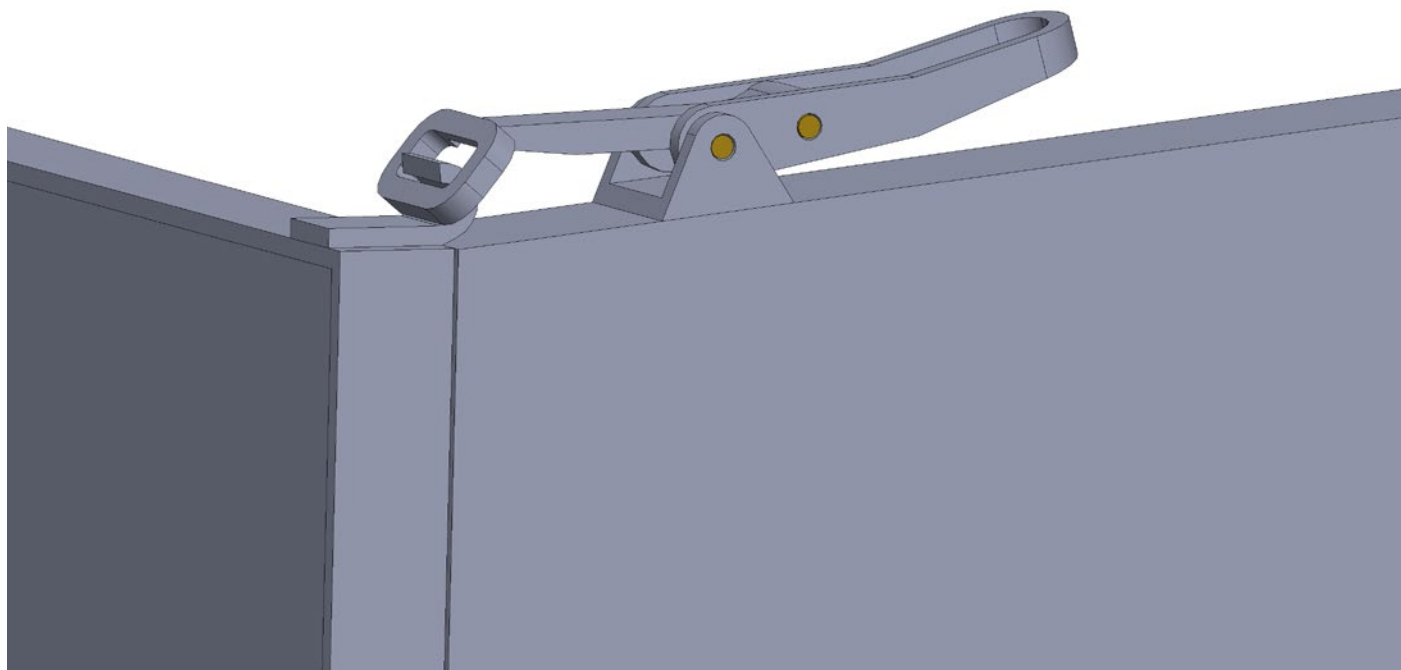
Connect part 03-22I to part 03-22H using 0.6 mm diameter wire. Secure the wire to part 03-22H using a drop of glue. Repeat four times.



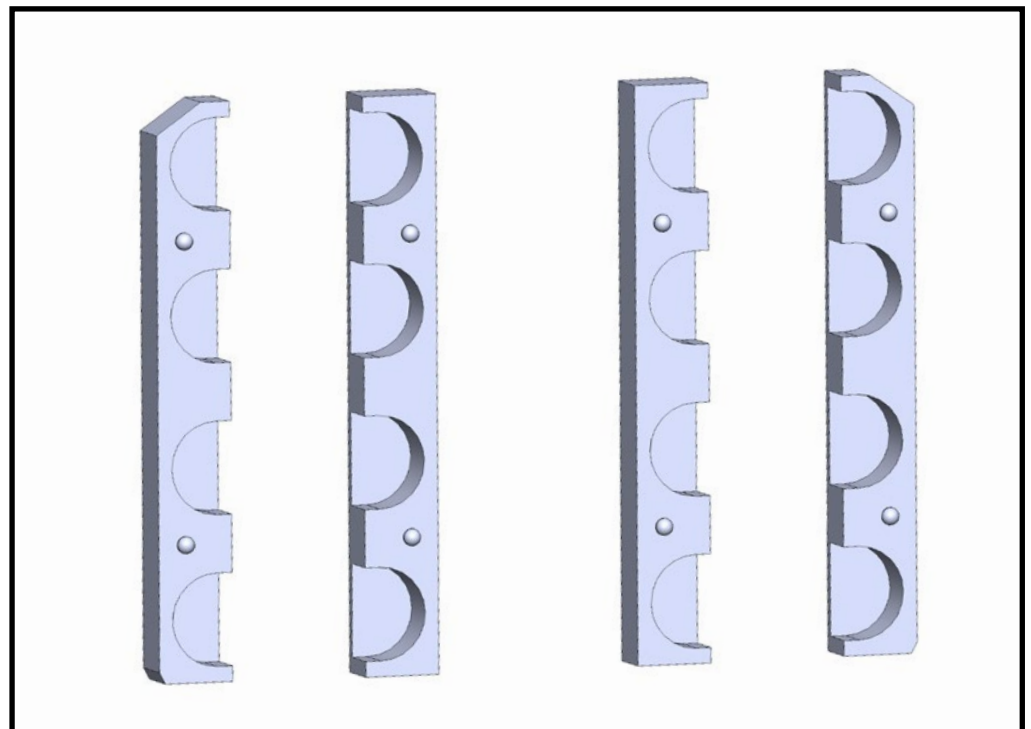
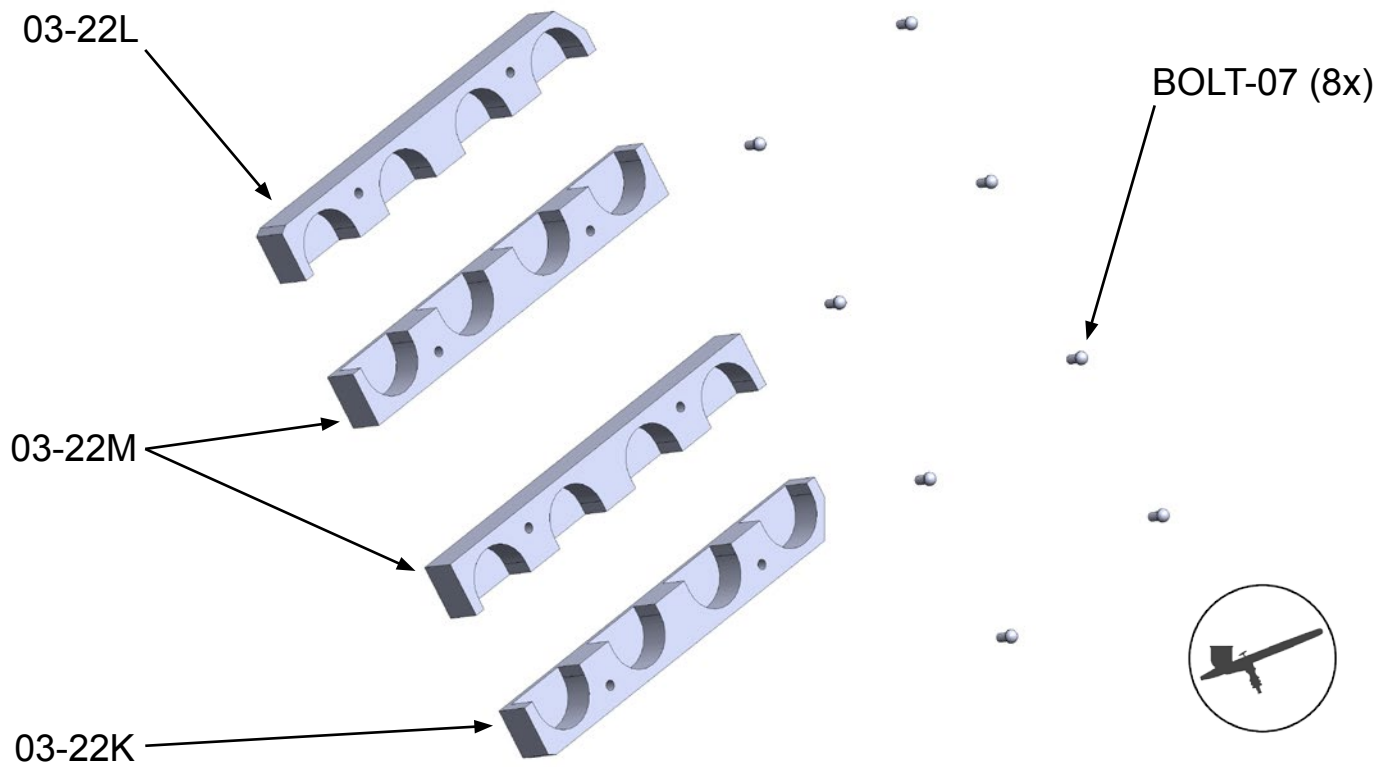
First, glue parts 03-22J.

Detailed images of their correct position can be found on the next page. Then set the clamps 03-22G+H+I to the “closed” position (next page, first picture). Glue the closed clamps to the backrests so that they hold the backrest firmly closed using parts 03-22J. **Paint all parts.**

Of course, do not glue parts 03-22G+H+I and 03-22J to each other.



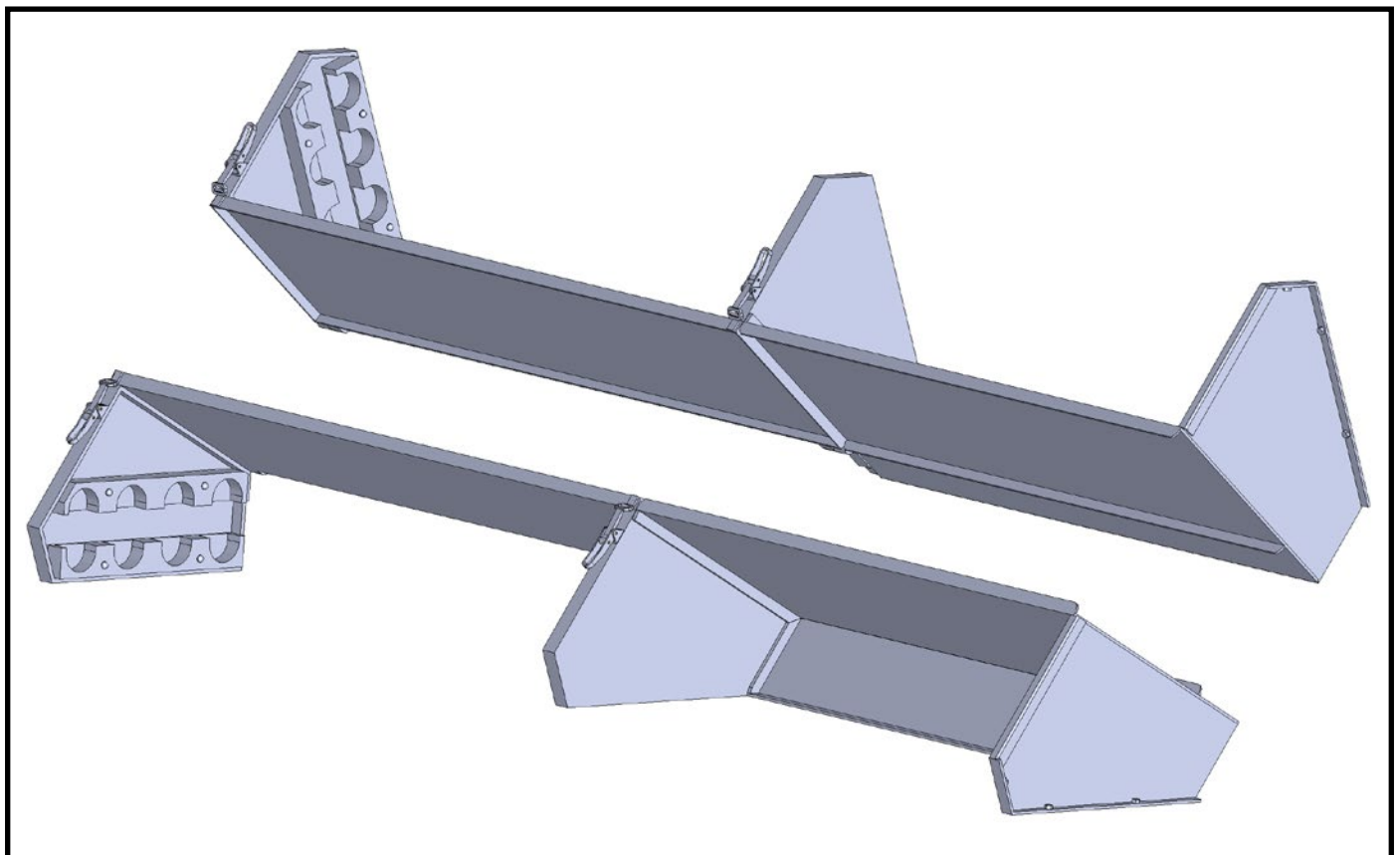
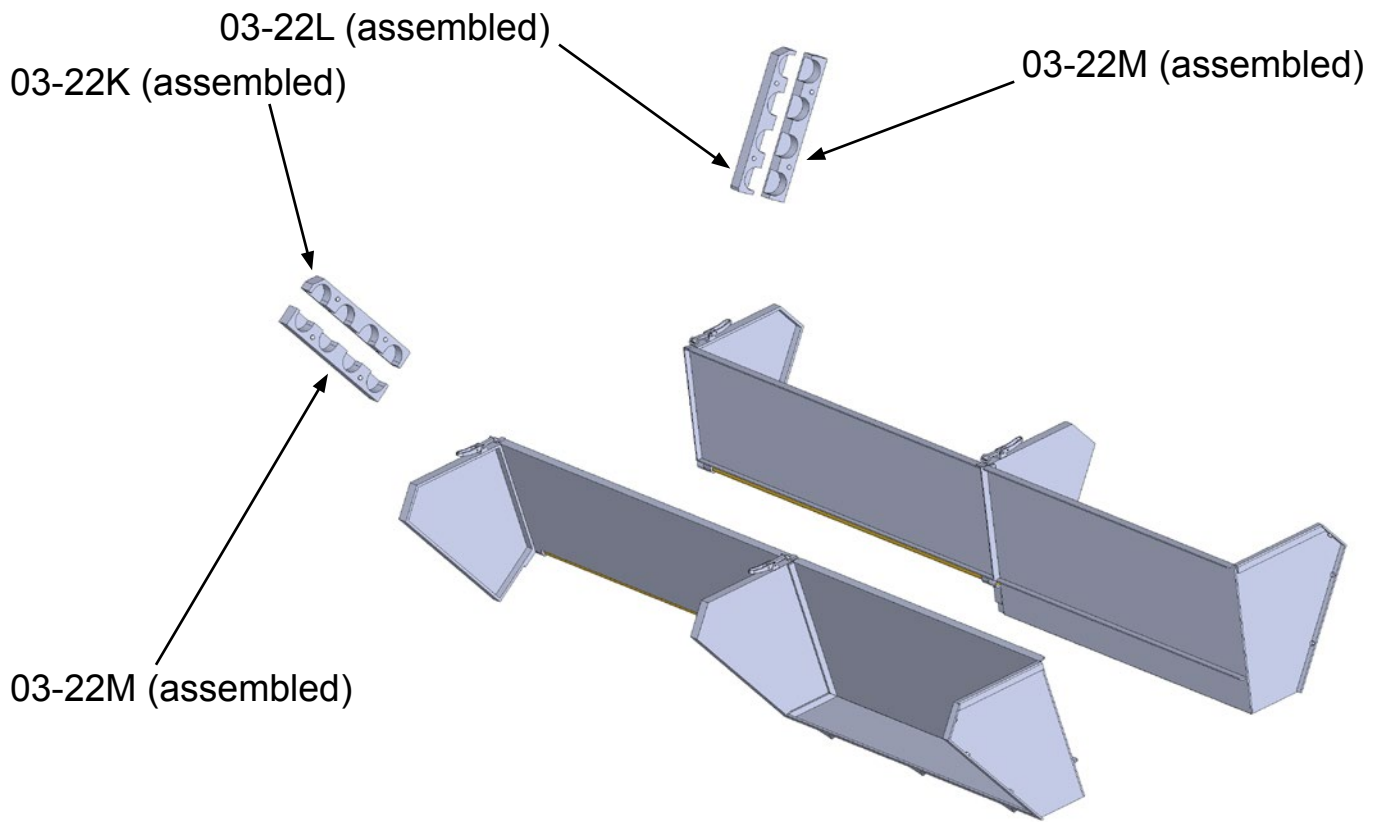
Auxiliary views for installation of parts 03-22G+H+I and 03-22J .



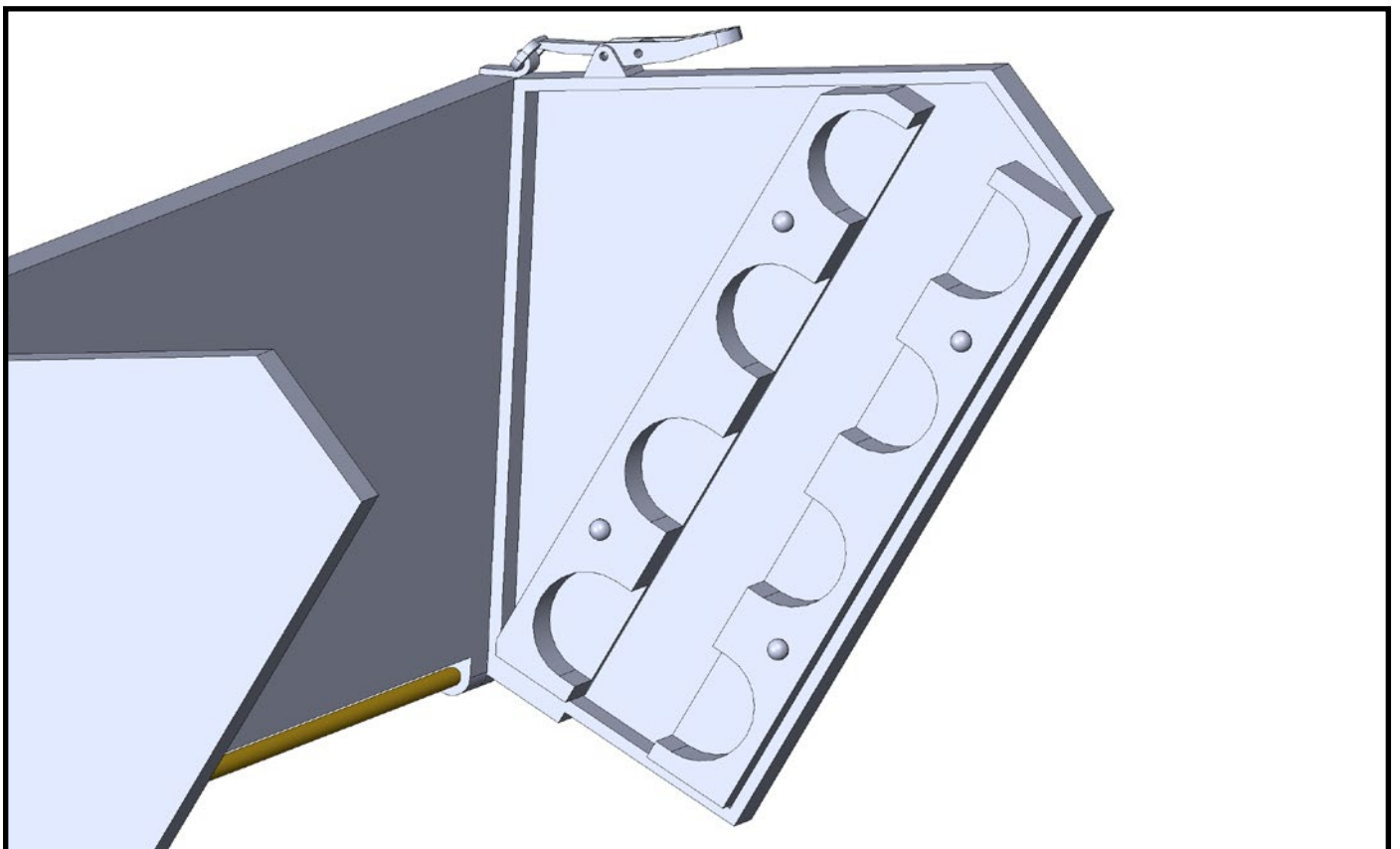
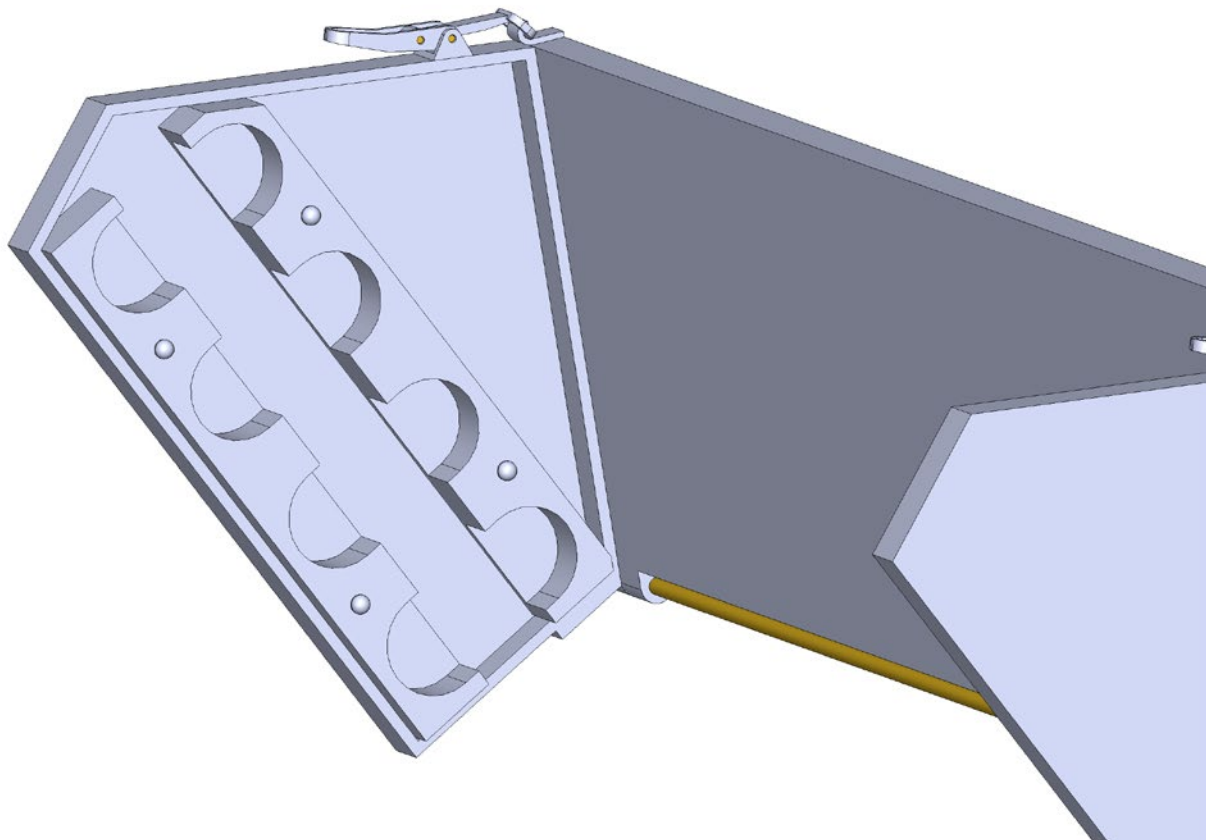
Glue the plastic bolts BOLT-07 (8 pieces) onto parts 03-22K, 03-22L and 03-22M.

Paint all parts before gluing.

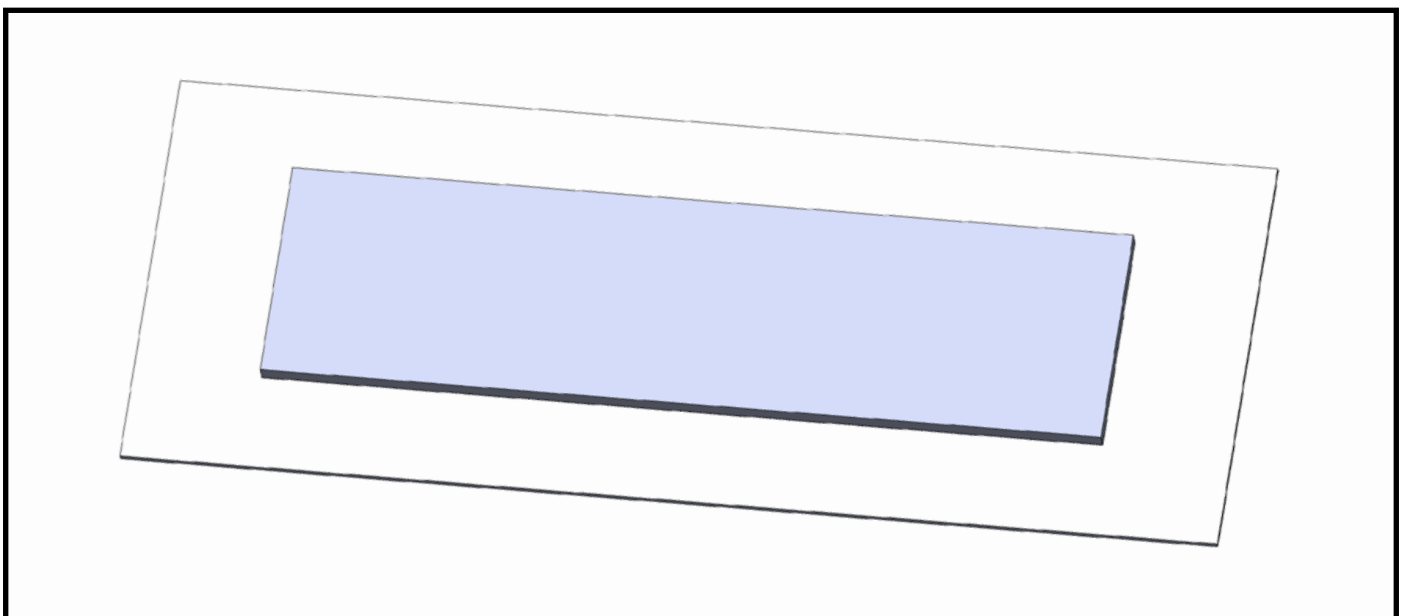
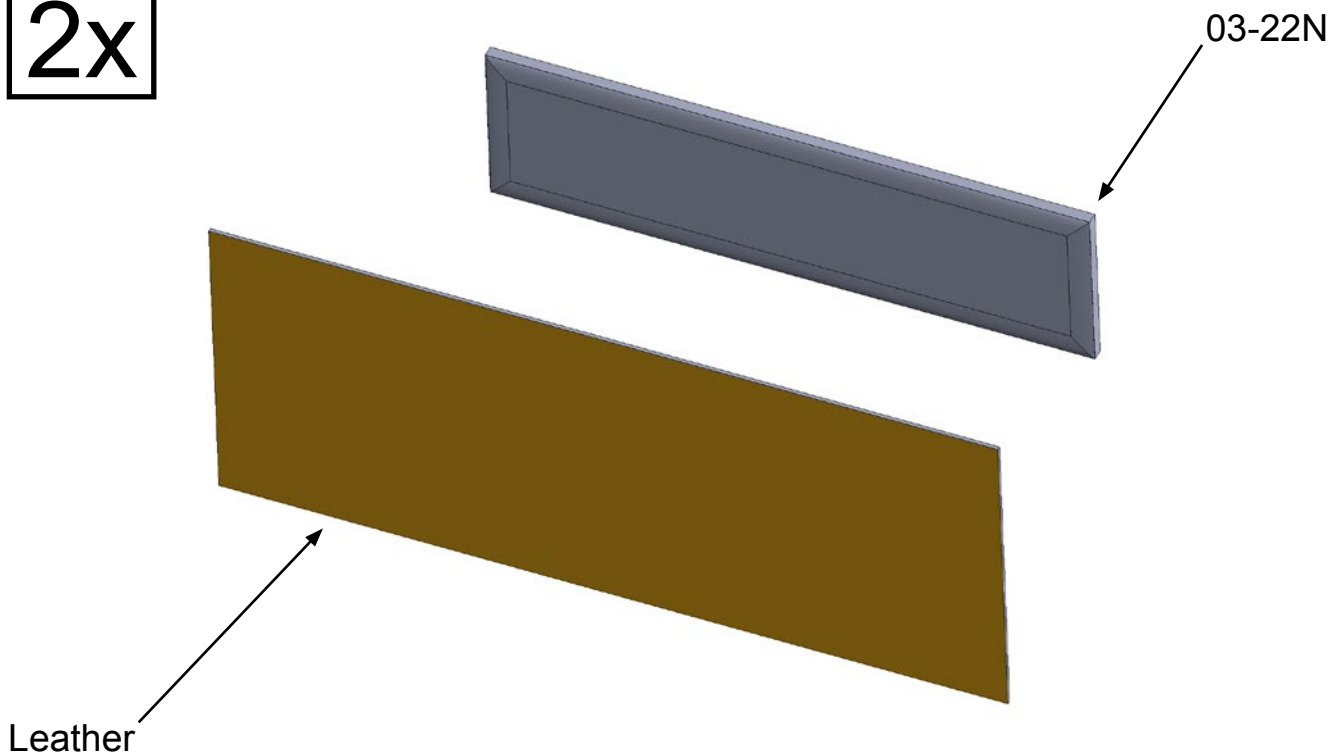
You can paint the wooden parts with wood varnish or leave them unpainted.



Glue assemblies 03-22K, 03-22L, and 03-22M into parts 03-22D and 03-22E.
We recommend performing a dry fit before gluing.



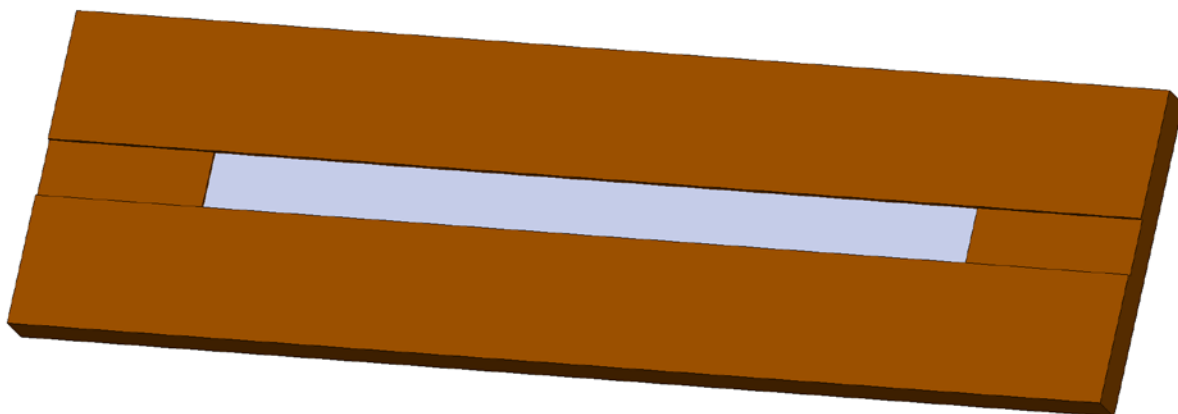
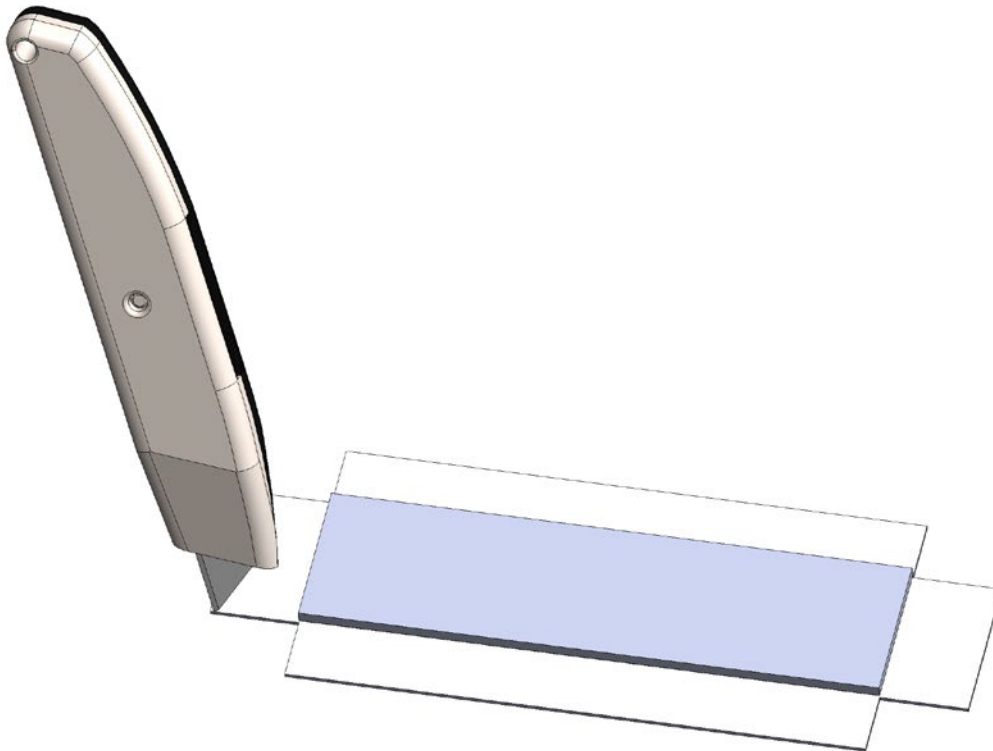
Auxiliary views for installation of parts 03-22K, 03-22L, and 03-22M.

2x

Place part 03-22N on the leather tape and cut off a piece of tape approximately the size shown in the bottom picture.

Turn part 03-22N with the rounded side toward the tape.

The flat side of the part (side with the numbers) must face you.
Stick the tape onto the part. The part must be in the center of the tape.
Repeat twice.

2x

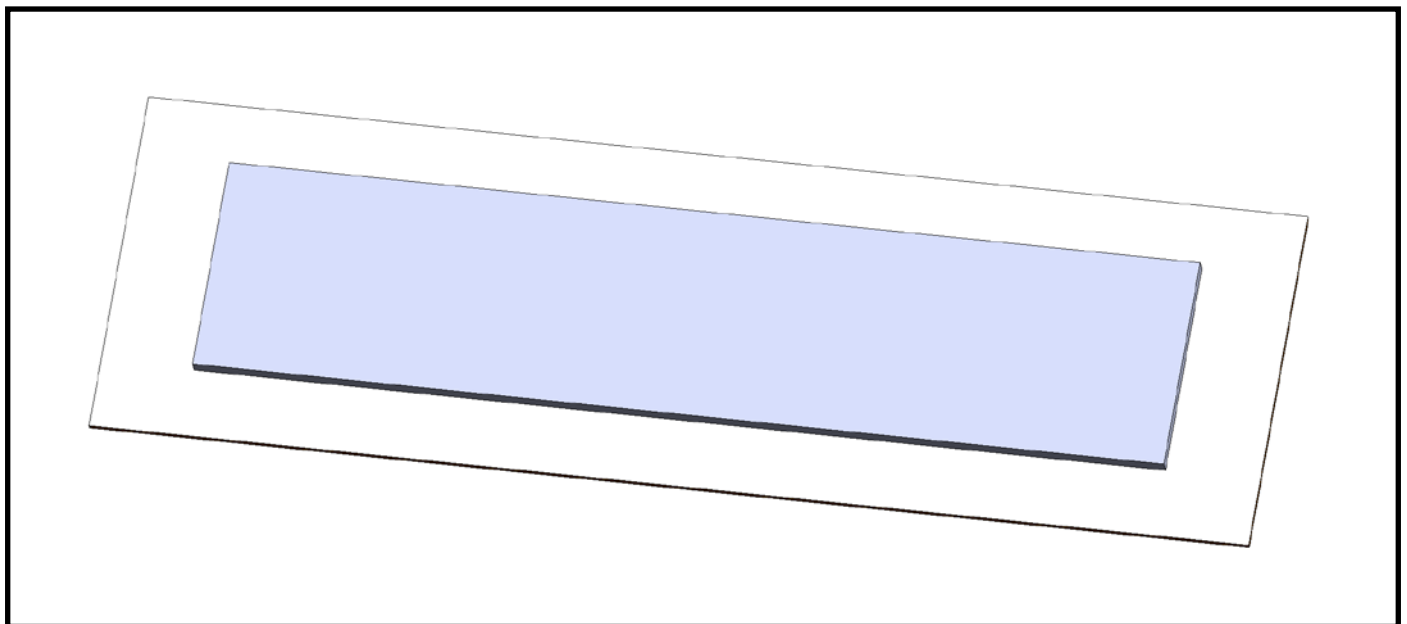
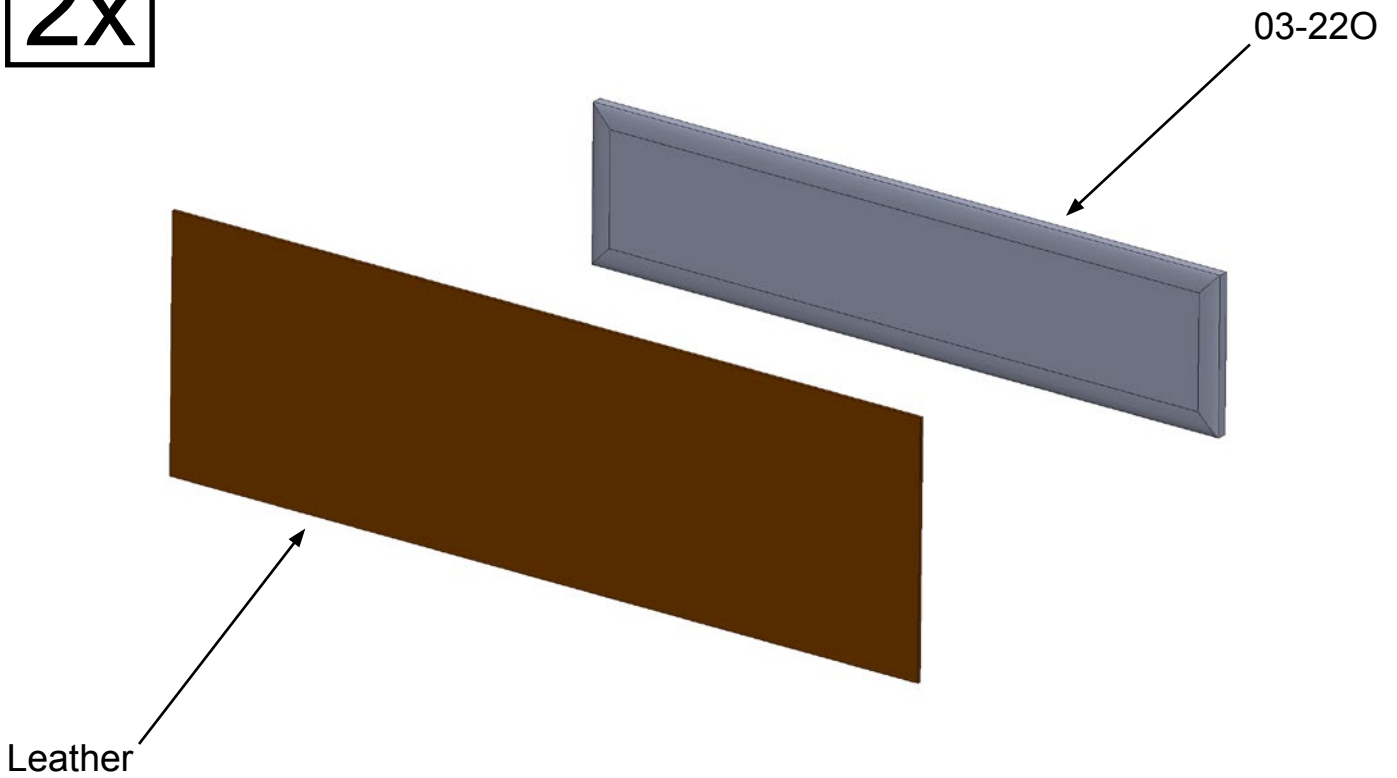
Carefully cut the corners as shown in the first picture using a box cutter.

Then stick the ends of the tape on the back of the part,
as shown in the second picture.

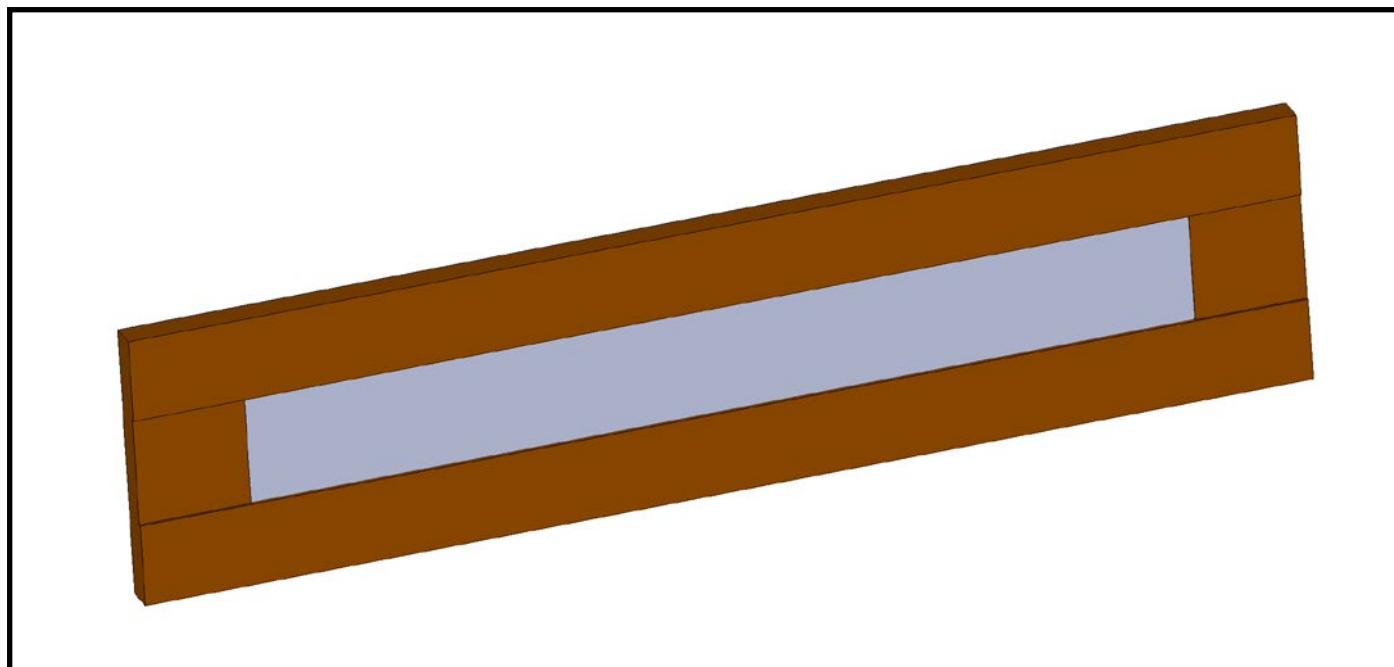
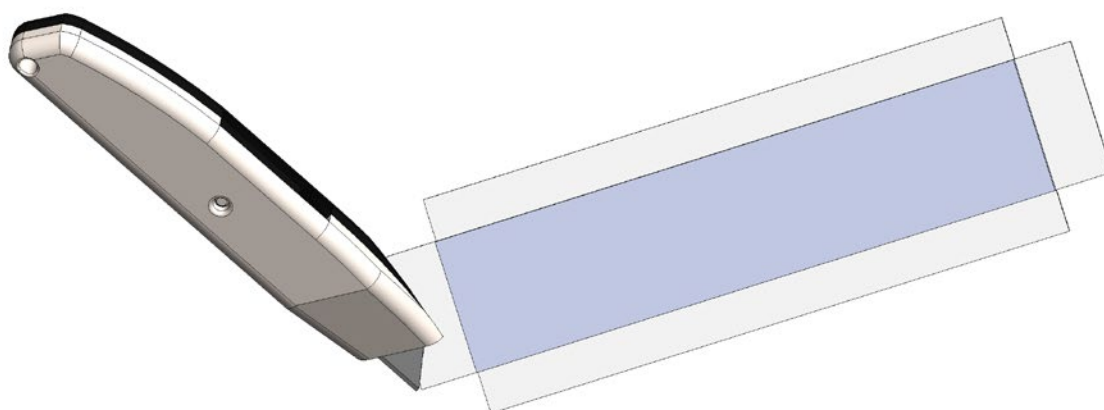
We recommend applying superglue to the back of the backrest
between the leather and the plastic part.

Repeat twice.

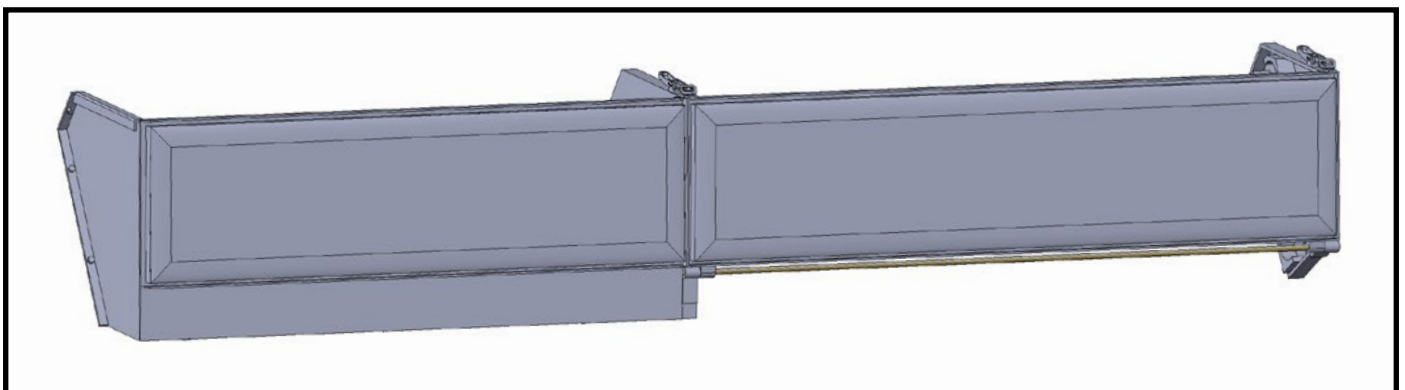
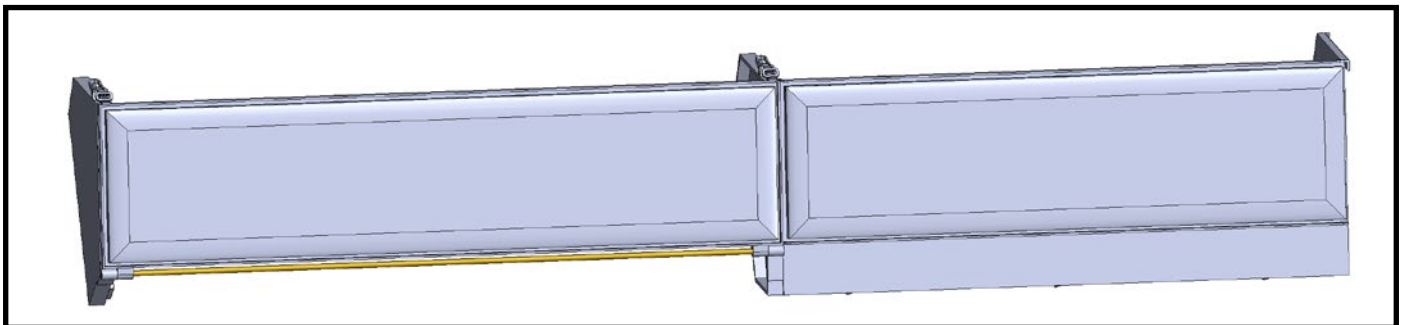
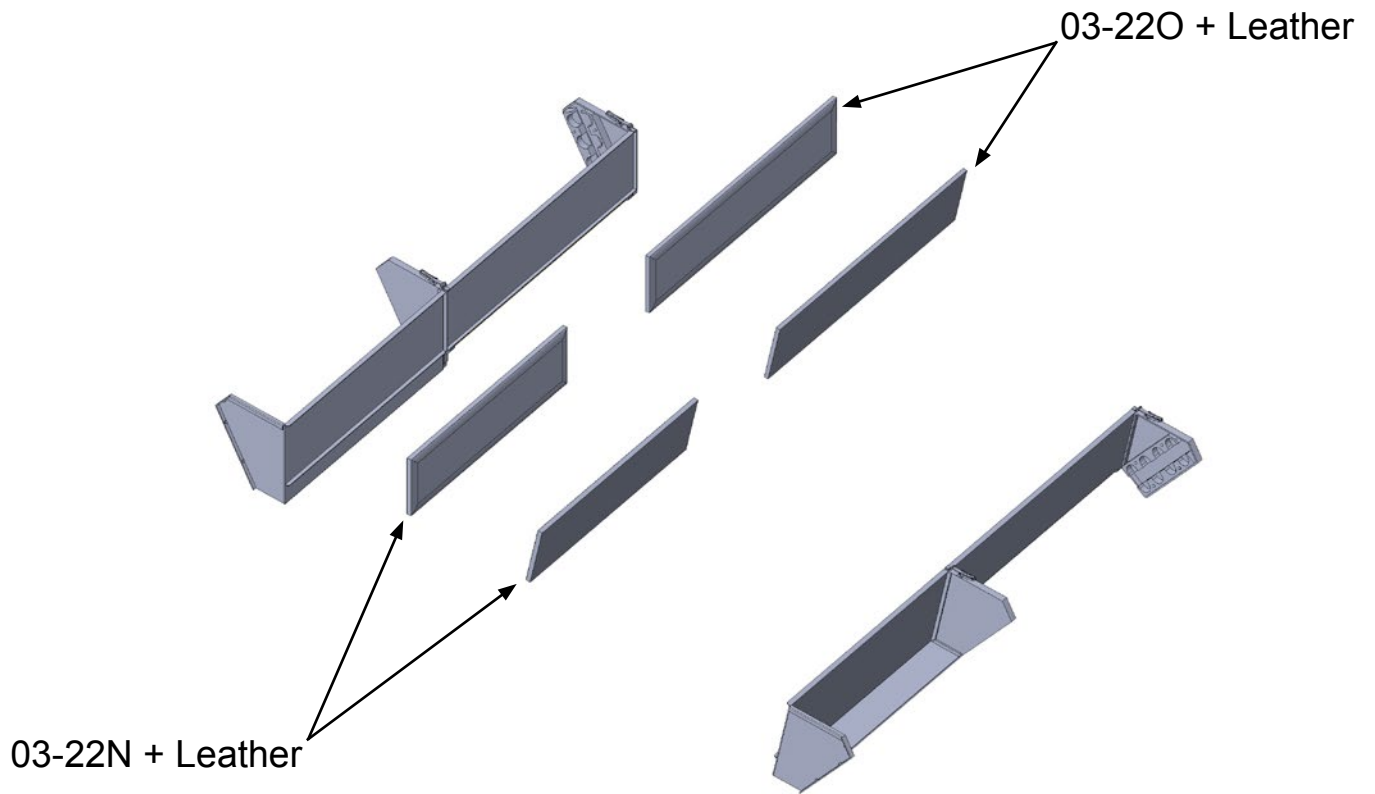
2x



Repeat the procedure with two parts 03-220.
Cut the tape and stick it to the rounded side of part 03-220.
Repeat twice.

2x

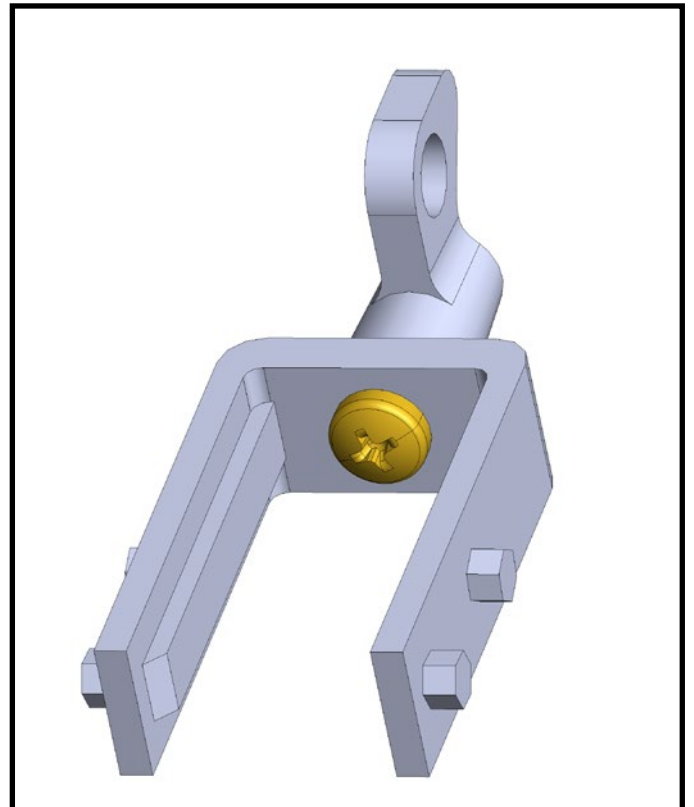
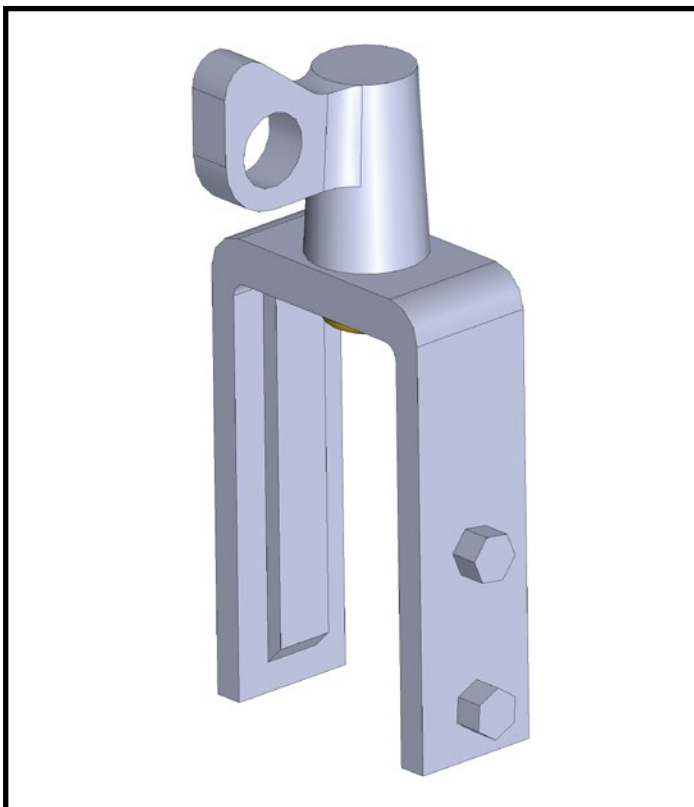
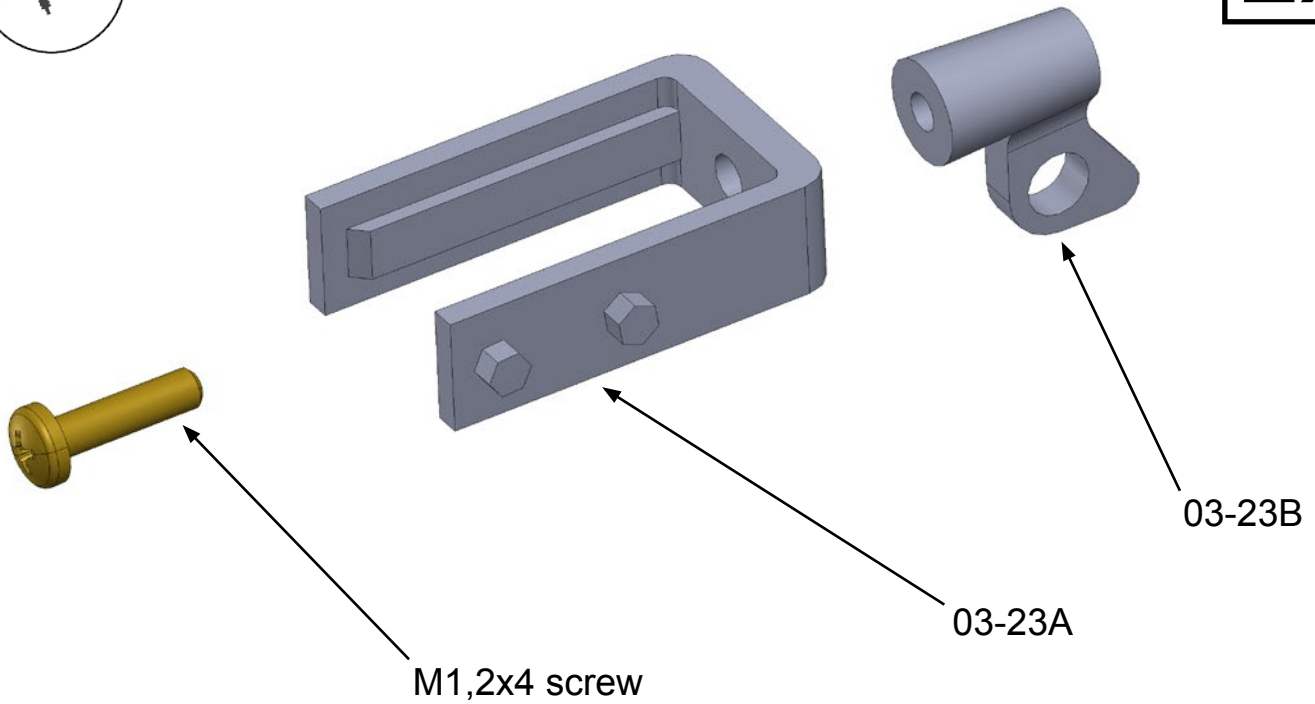
As with parts 03-22N - cut the corners.
Then stick the ends of the tape on the back of the part.
Apply superglue to the back of the backrest.
Repeat twice.



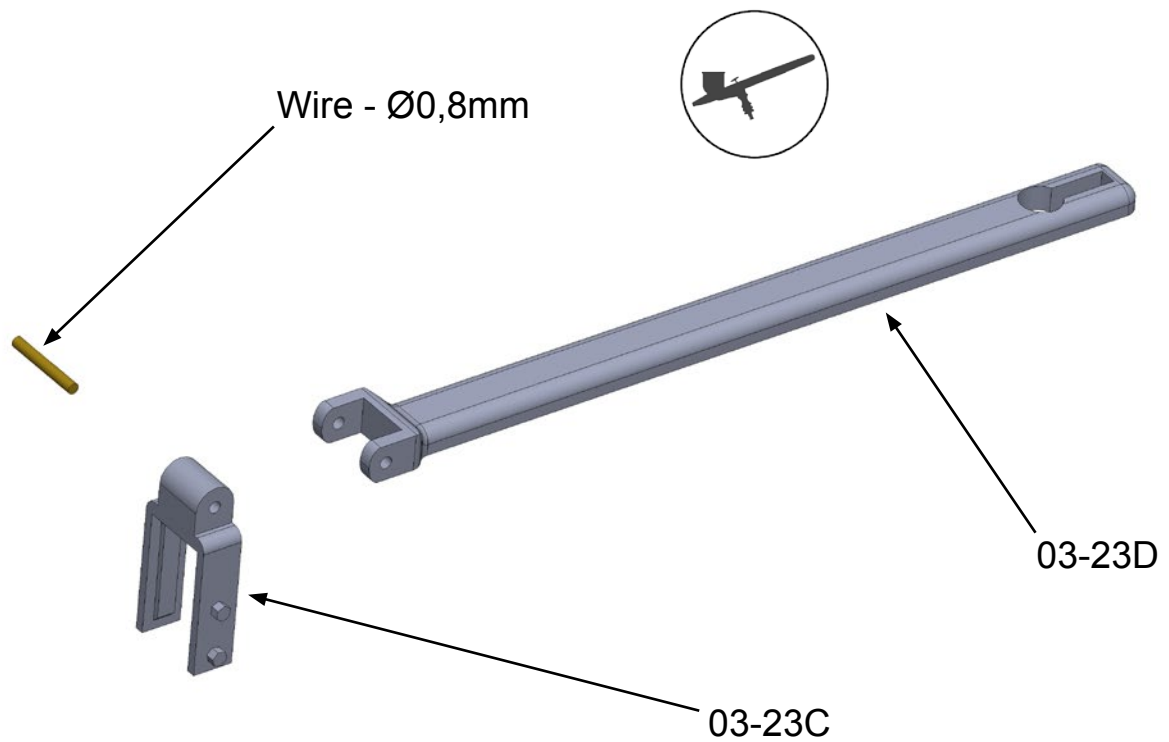
Glue parts 03-22N and 03-22O to the backrests.
Before gluing, you have one last chance to paint the backrests.



2x



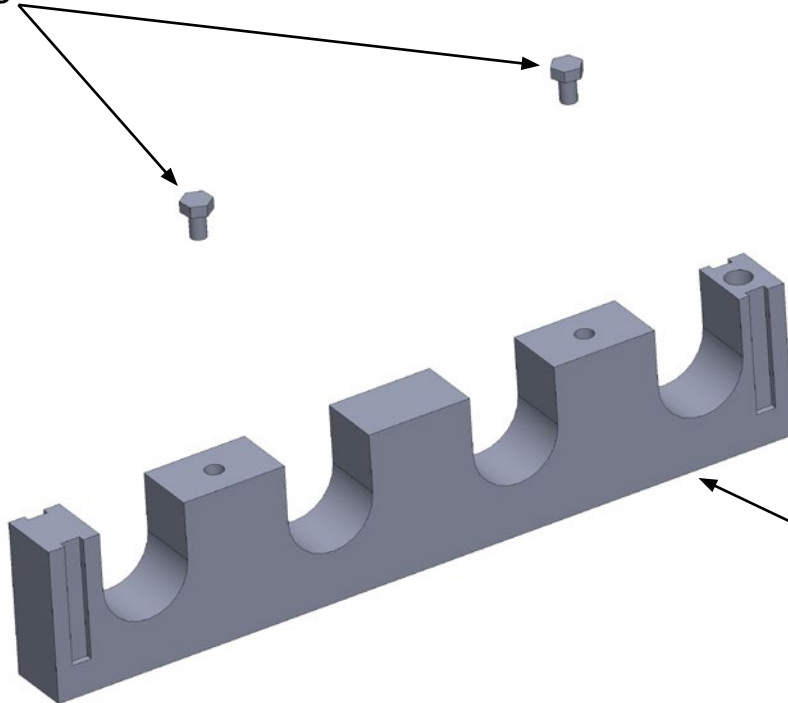
Connect parts 03-23A and 03-23B using an M1.2x4 screw.
Repeat twice. Paint all parts after this step.

2x

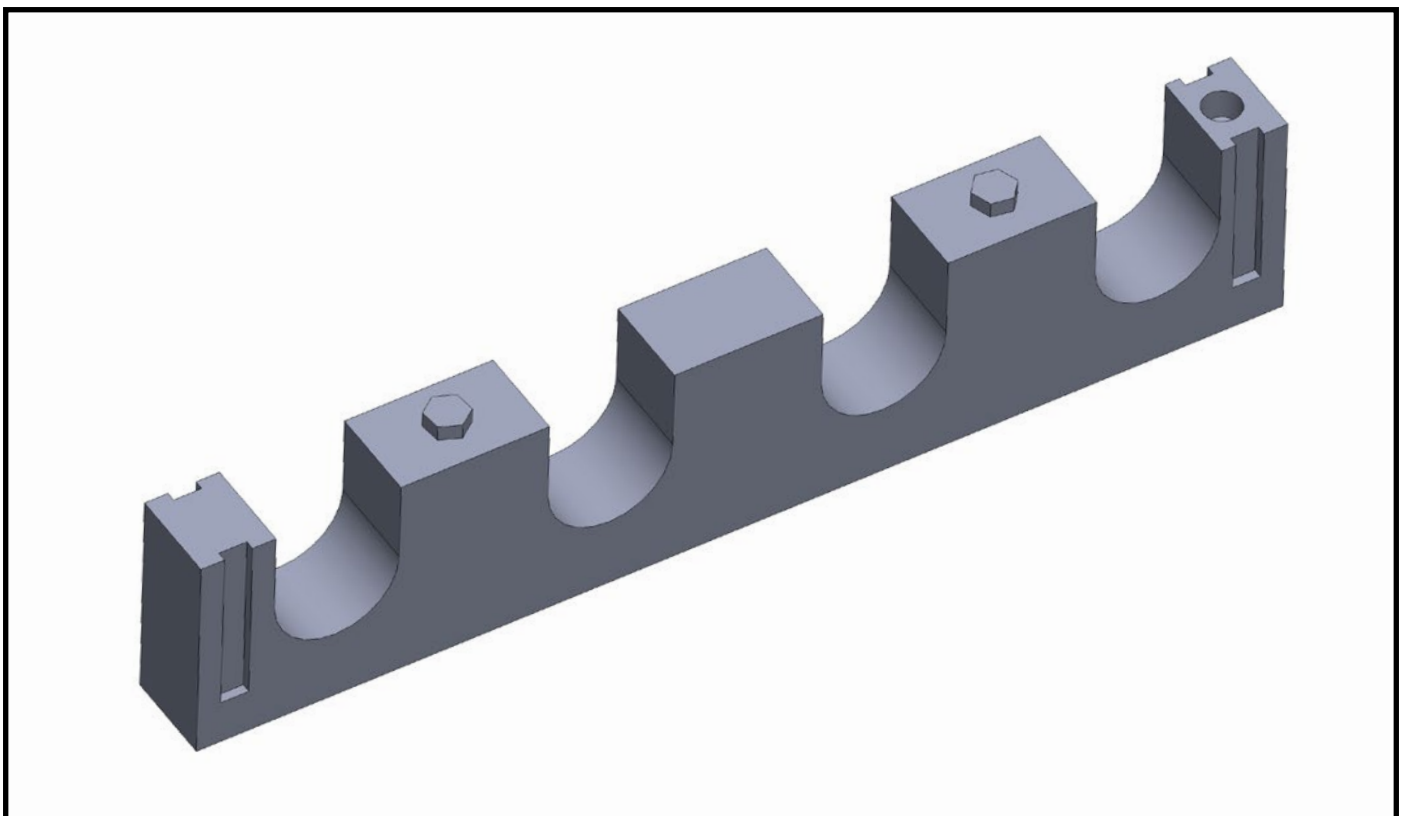
Connect parts 03-23C and 03-23D using 0,8 mm diameter wire.
Secure the wire in part 03-23D using superglue. Repeat twice.
Paint all parts after this step.

BOLT-08

2x



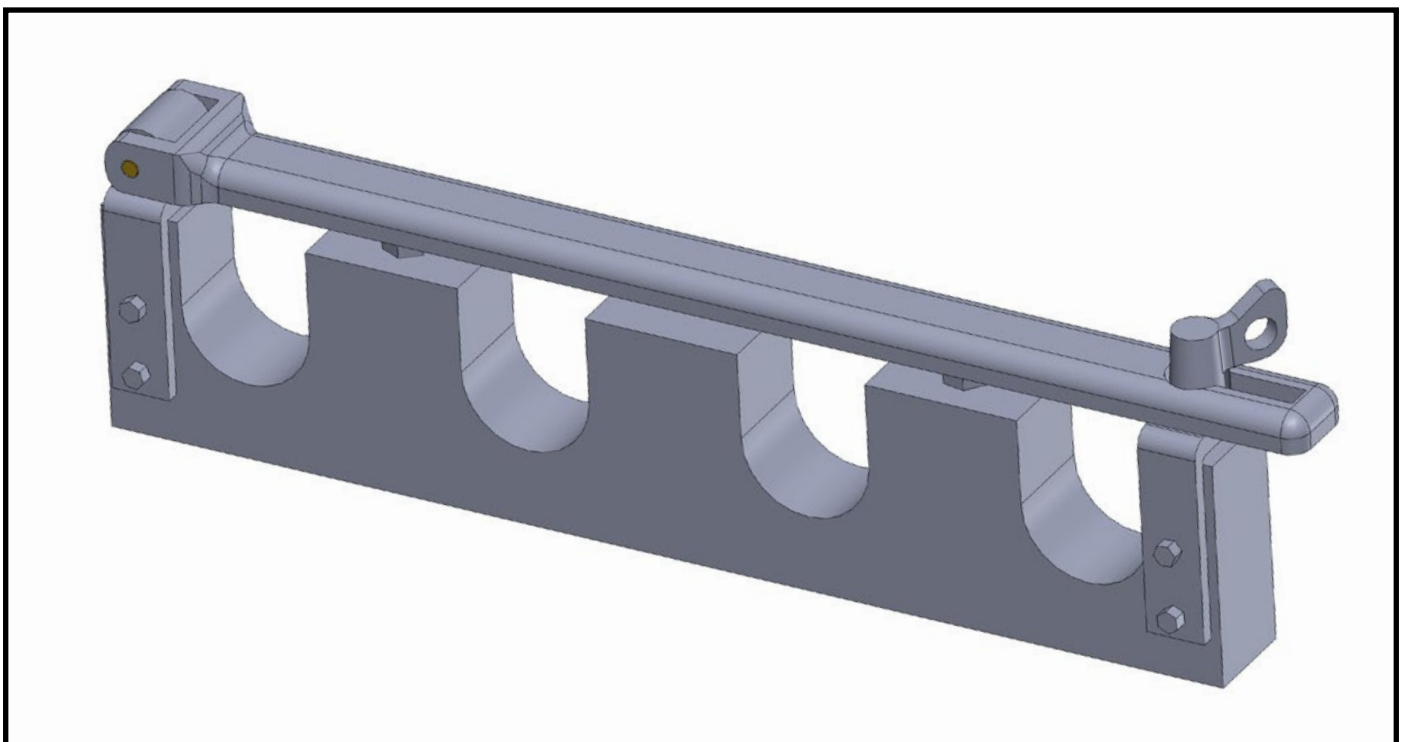
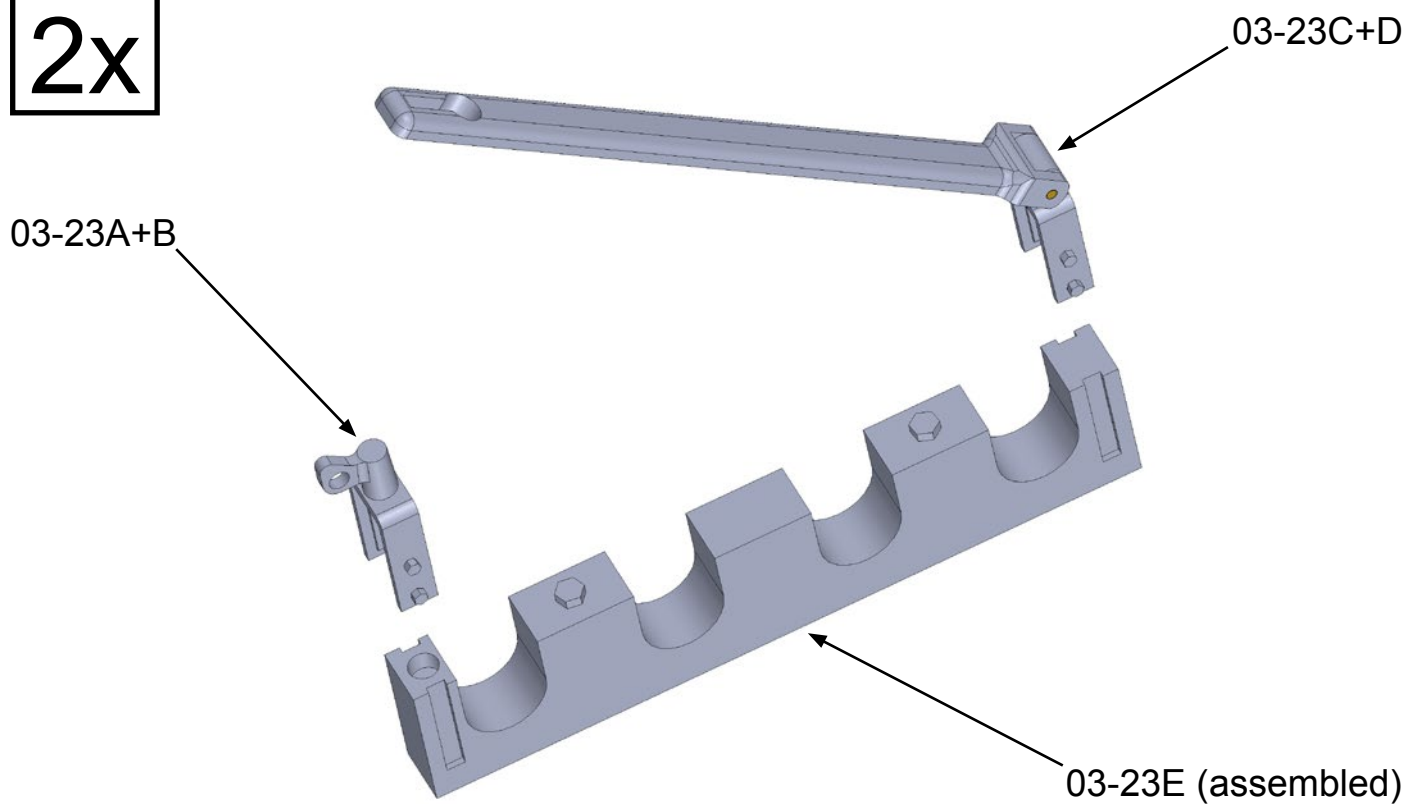
03-23E



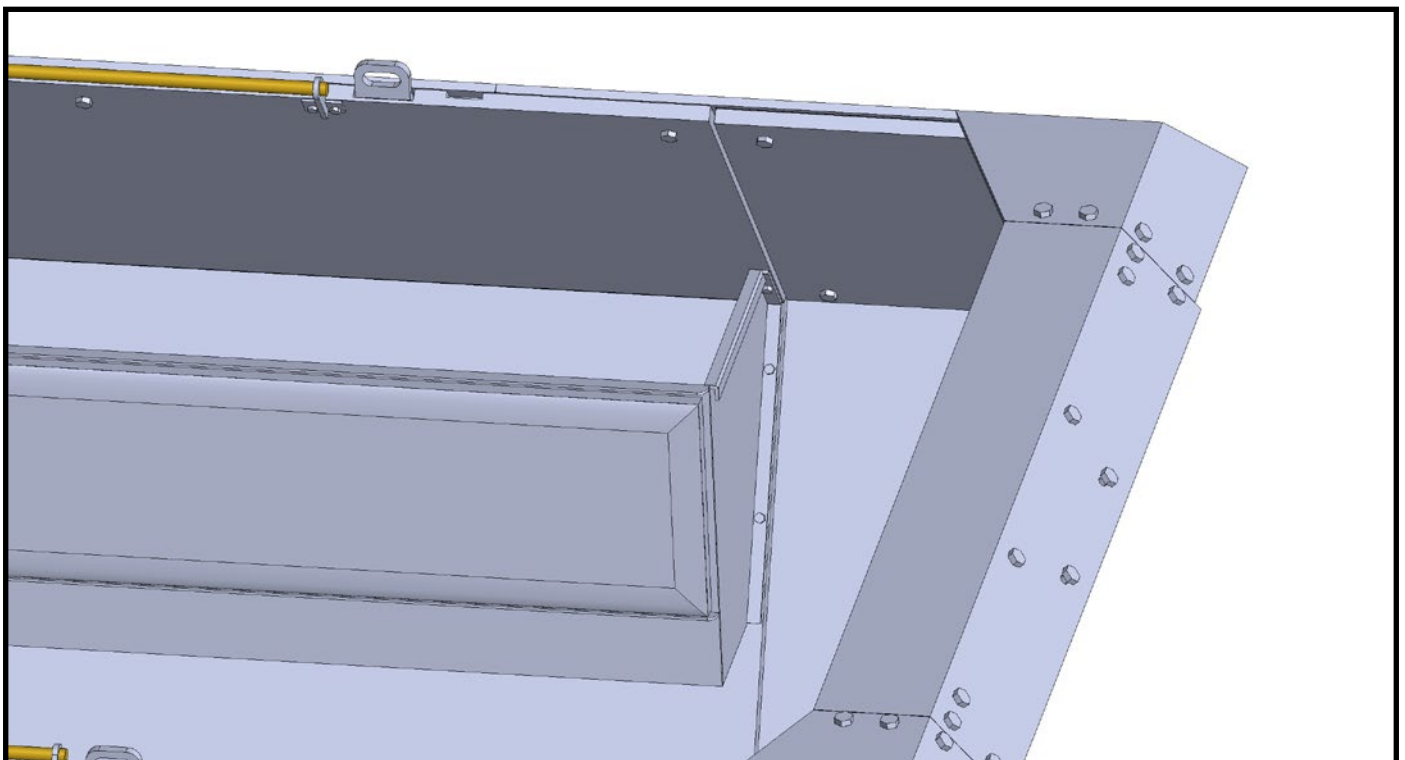
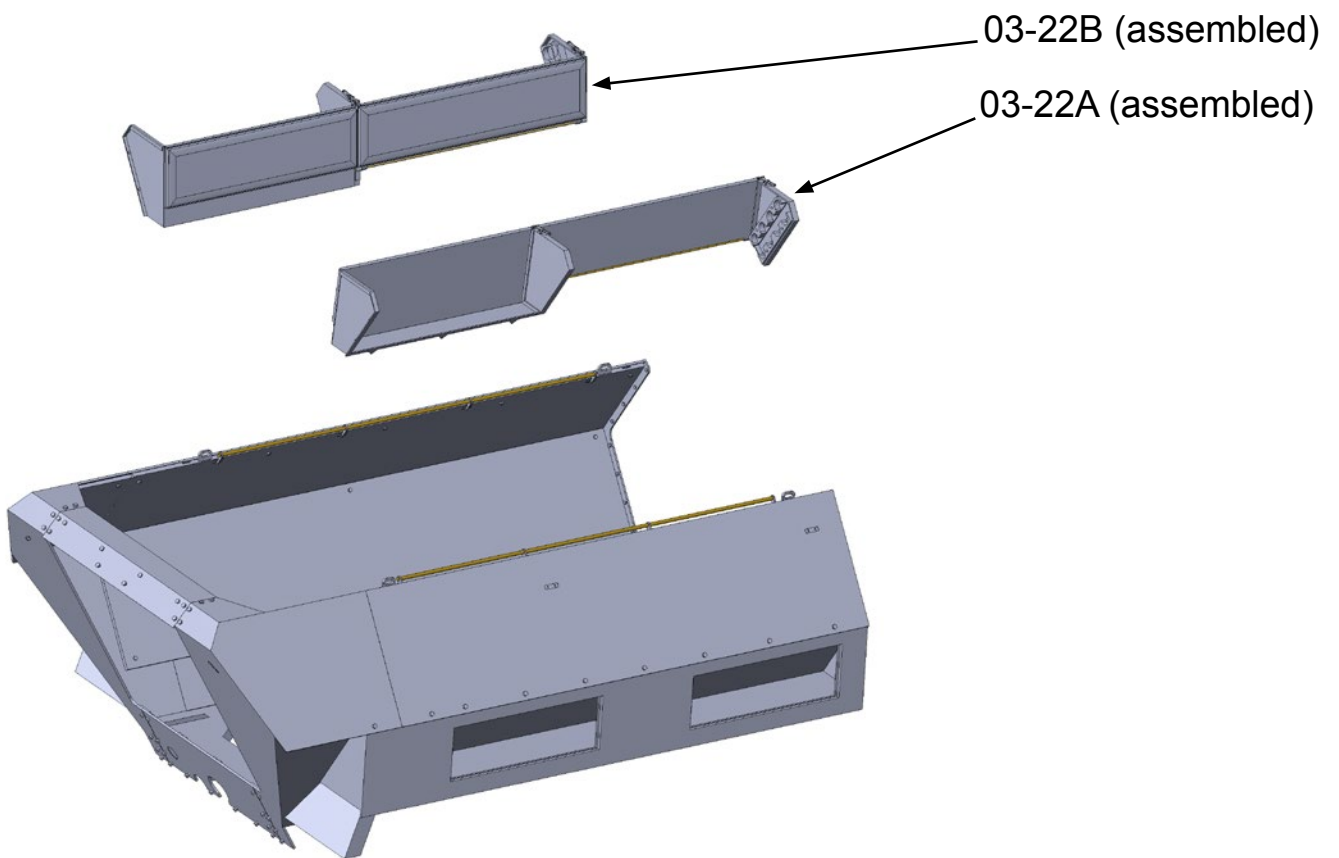
Paint all parts (or use wood varnish) before this step .
Glue the plastic bolts BOLT-08 (2 pieces) onto part 03-23E. Repeat twice.

210

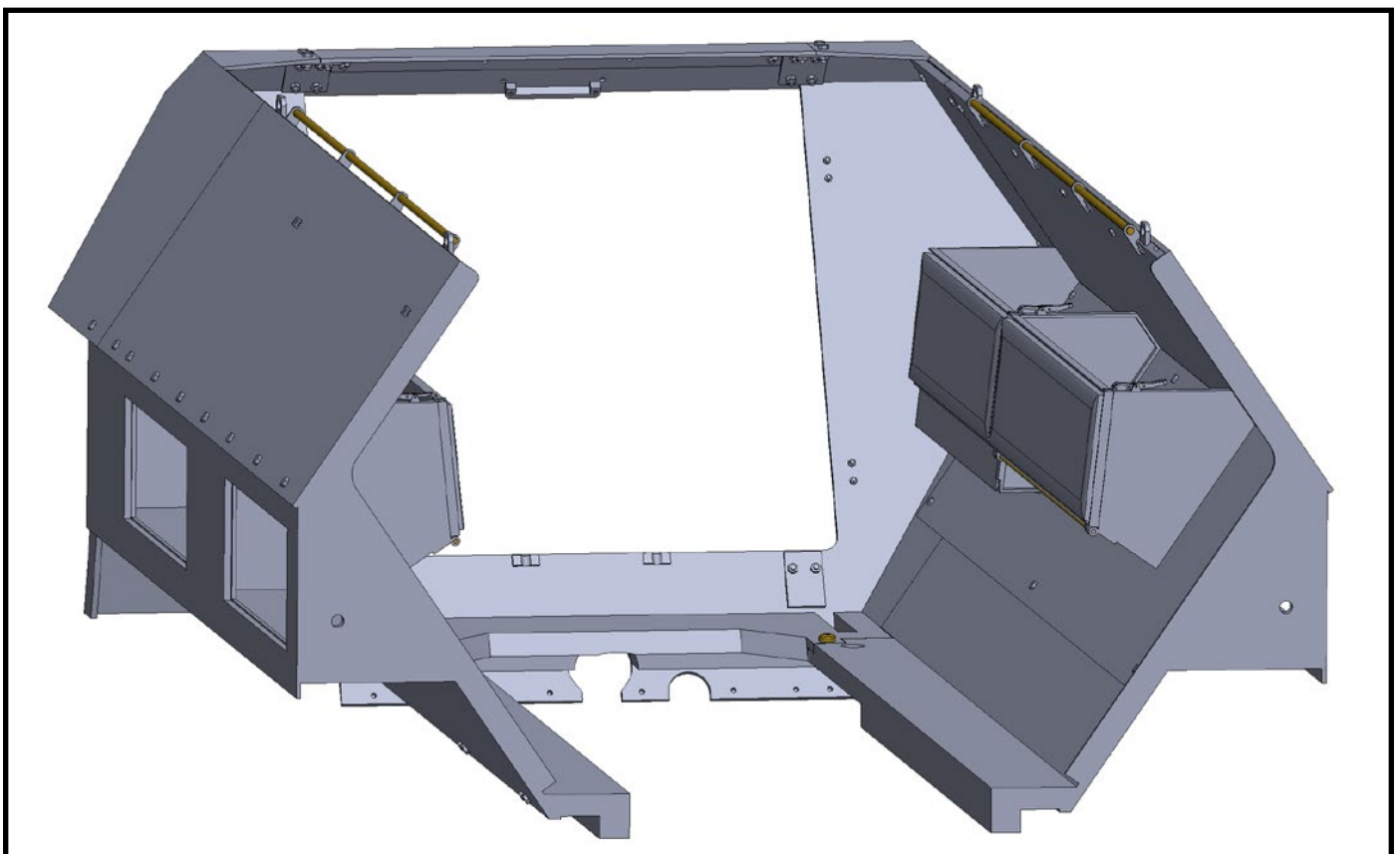
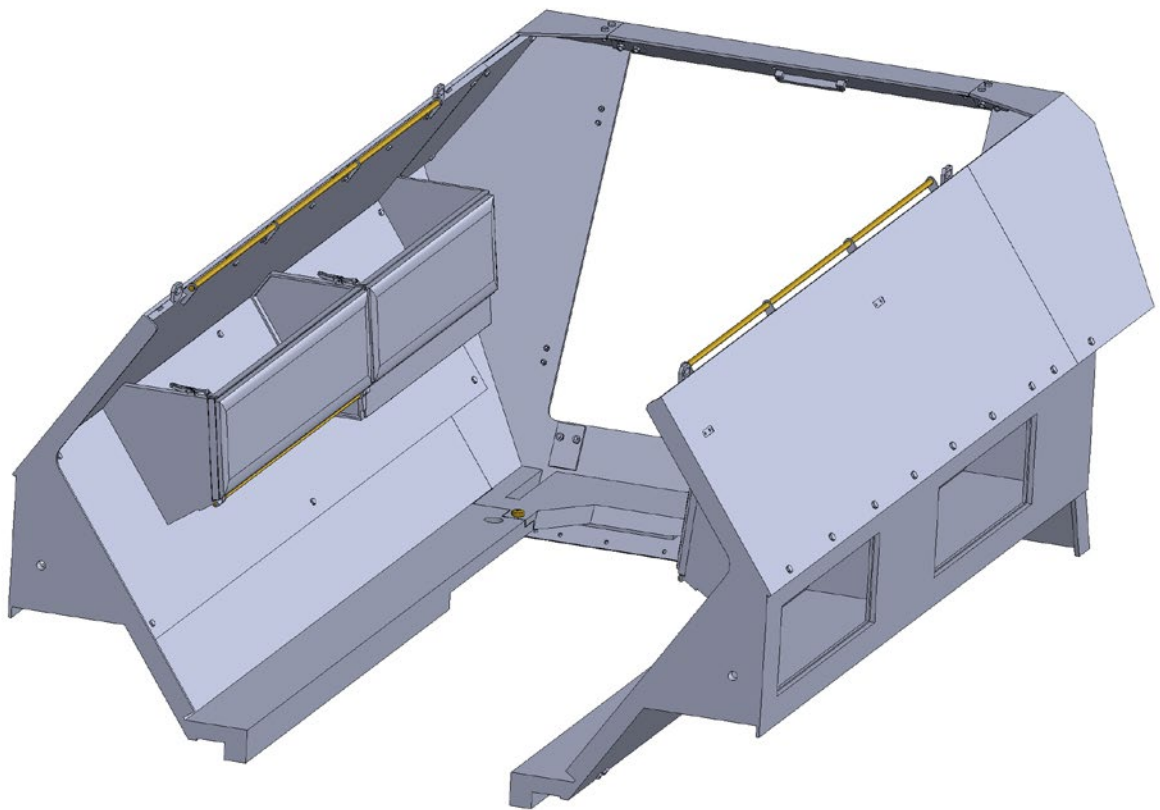
Assembly 03 - Upper Hull - Backrests

2x

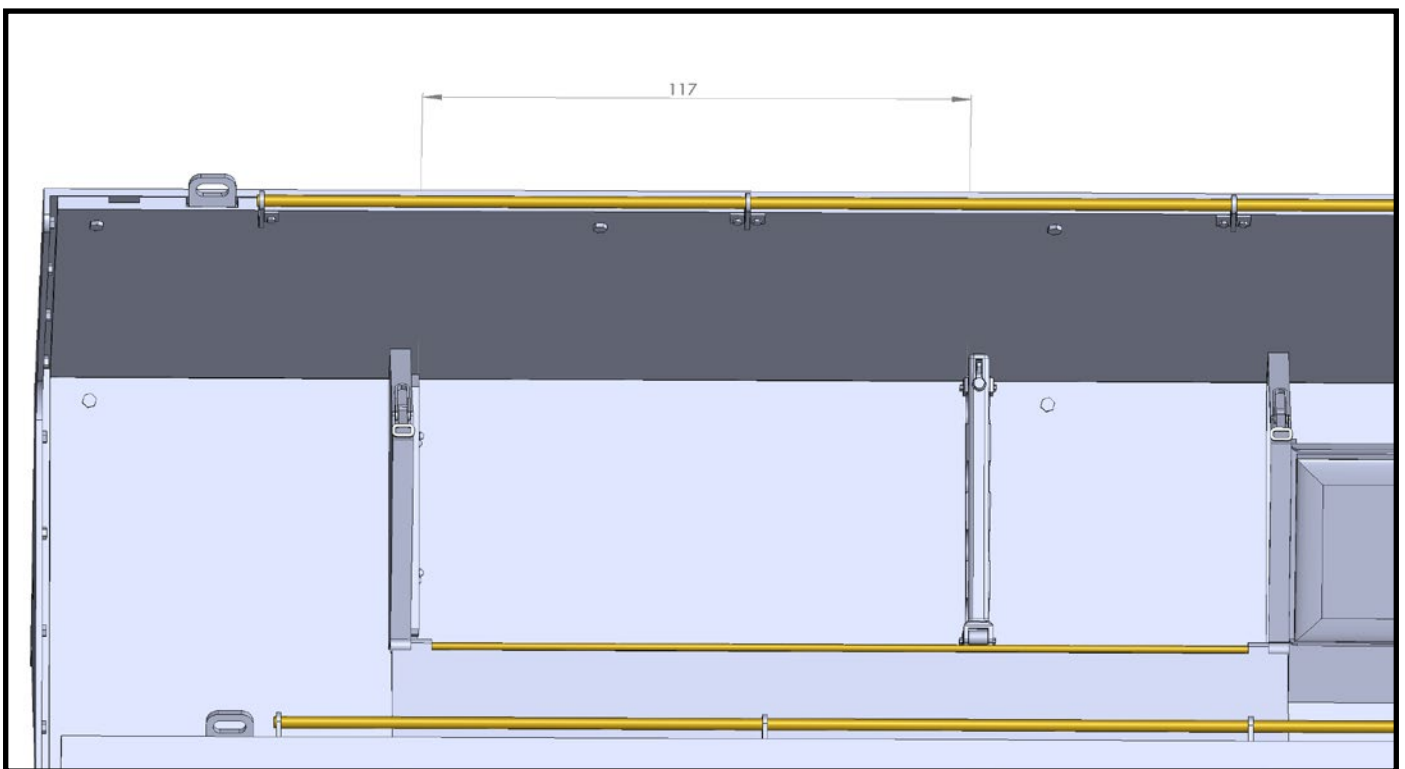
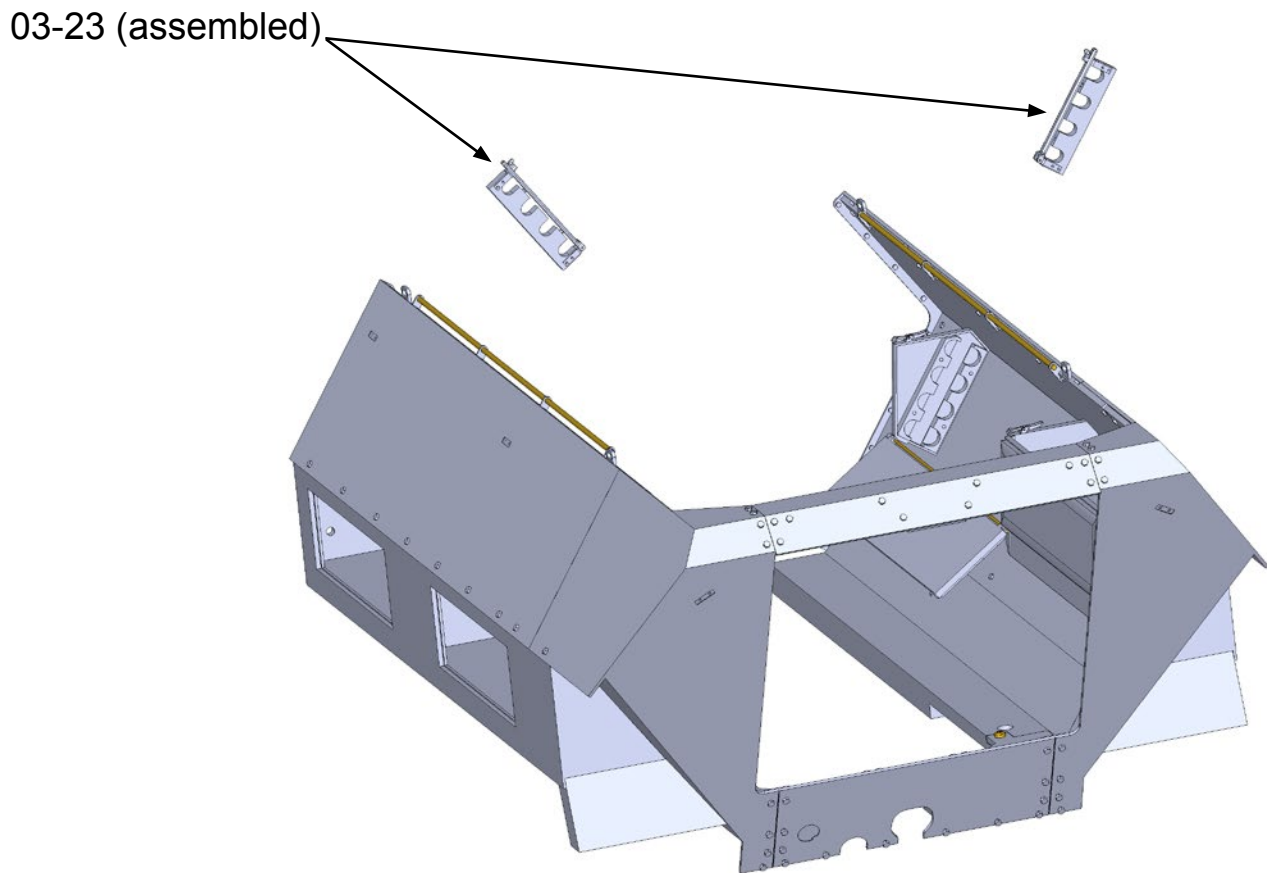
Glue together assemblies 03-23A+B, 03-23C+D, and 03-23F.
Ensure that the parts are positioned correctly according to the upper picture.
The hole on the upper surface of part 03-23F is intended for assembly 03-23A+B.
Repeat twice.



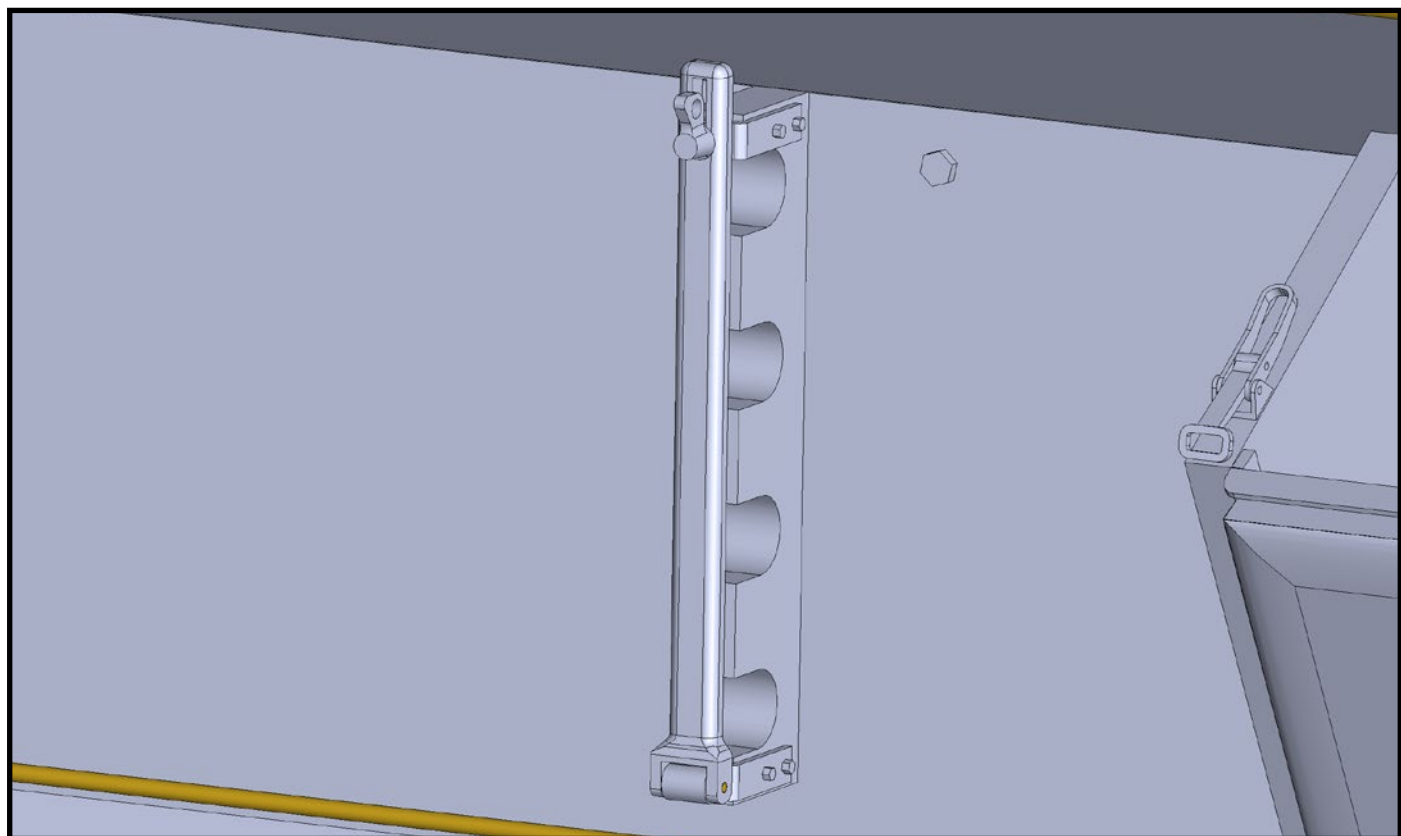
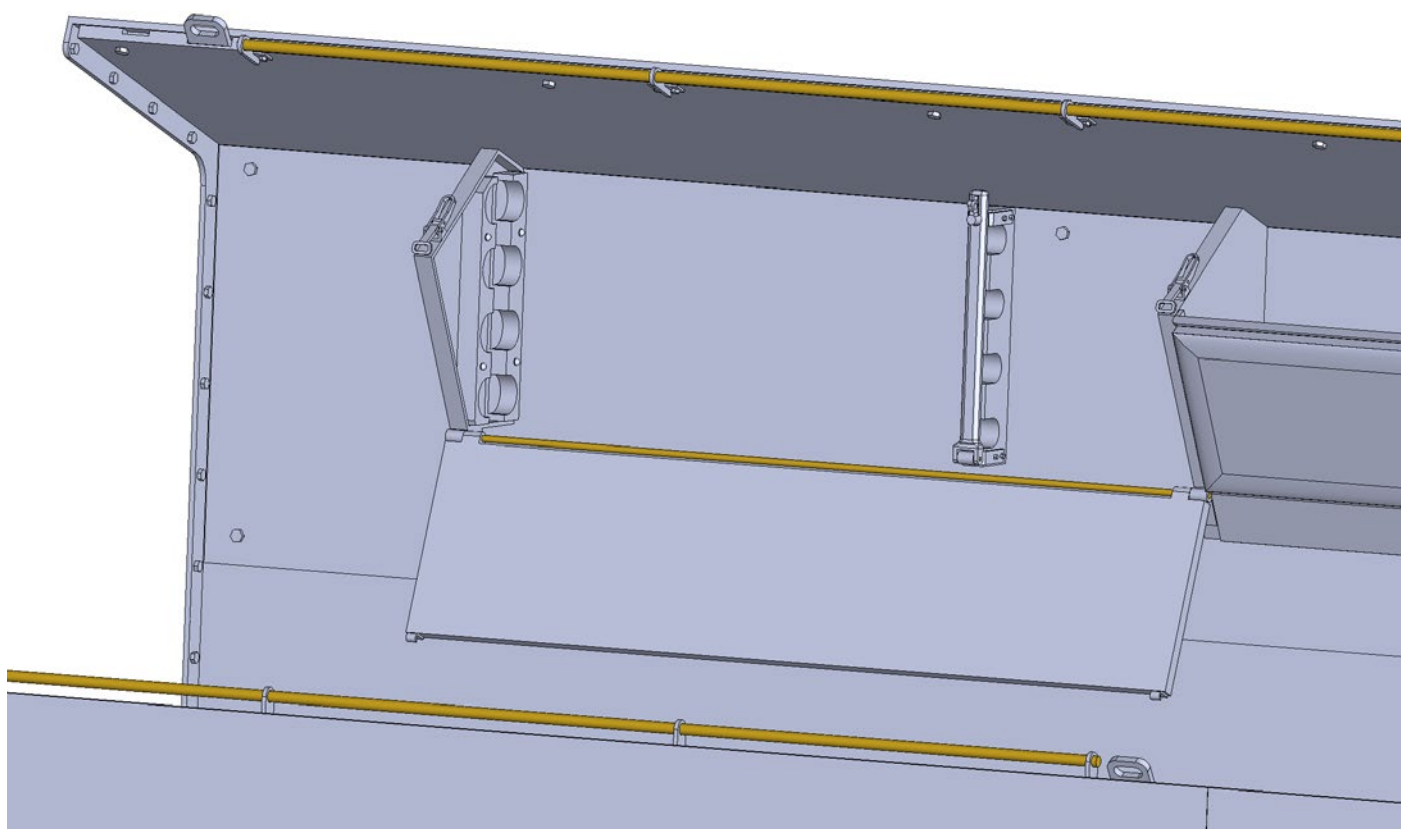
Glue assemblies 03-22A and 03-22B to assembly 03-21.
Perform a dry fit. Be careful not to confuse assemblies 03-22A and 03-22B.
Before gluing, refer to the auxiliary views on the next page.



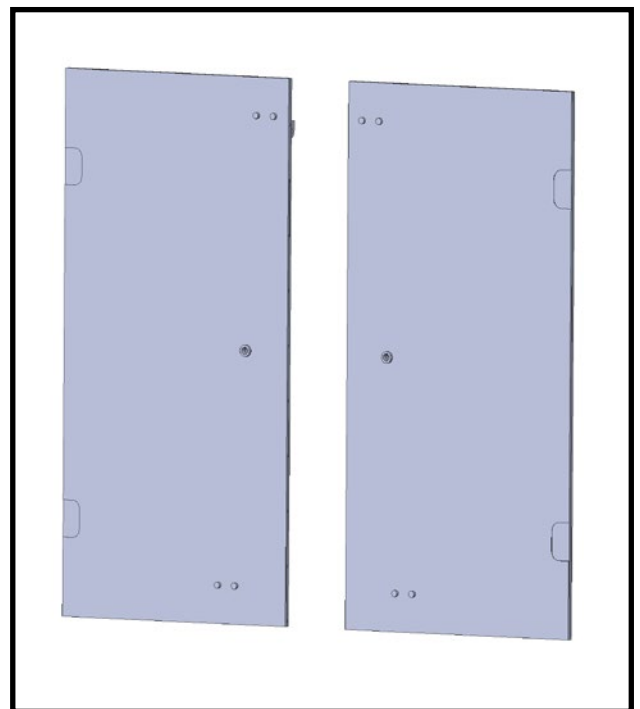
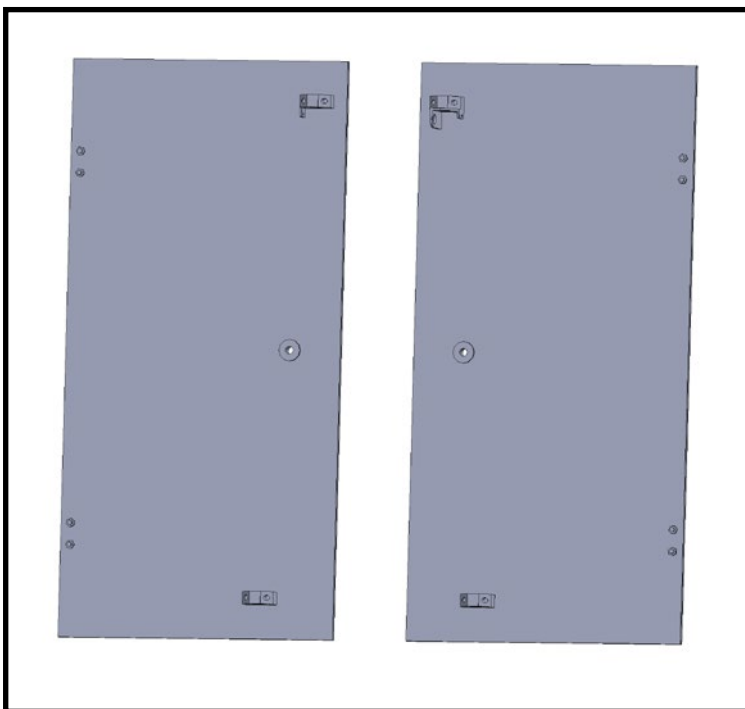
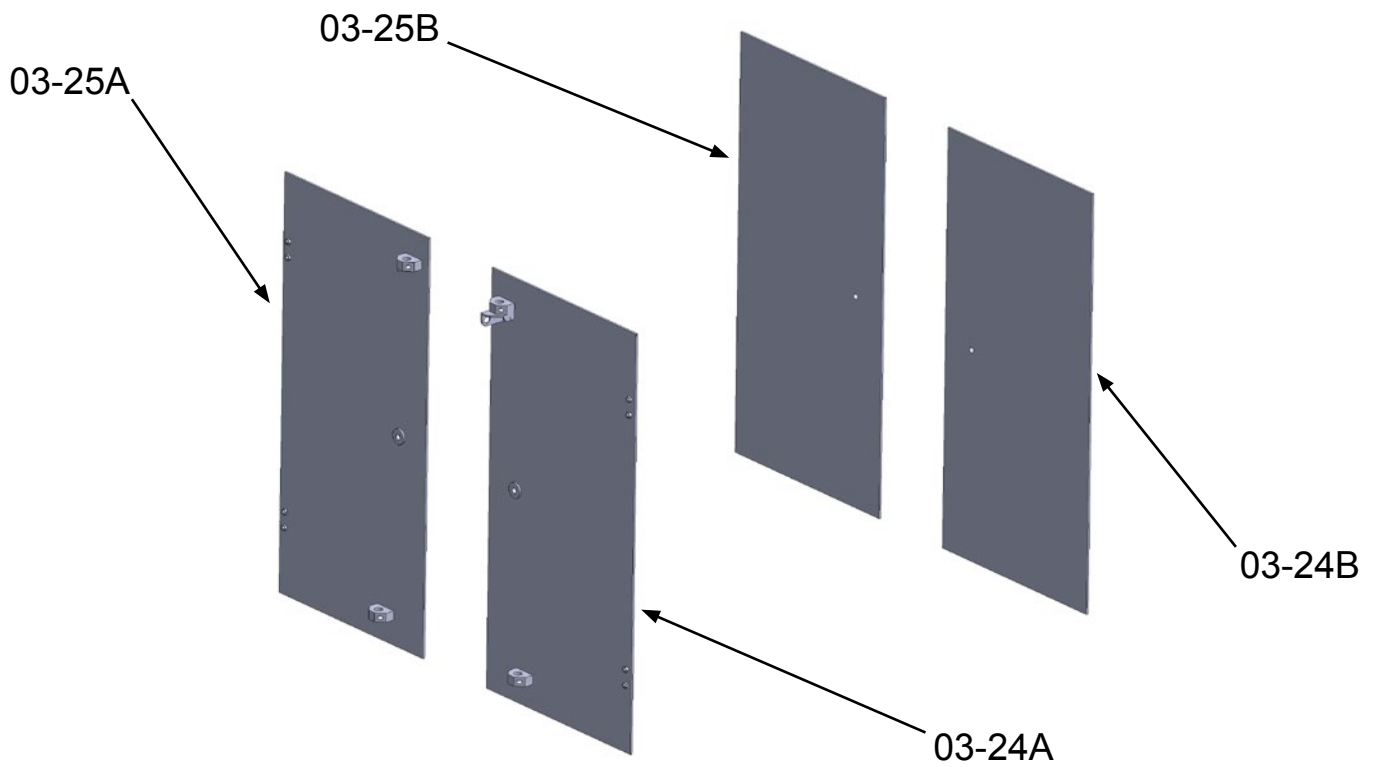
Auxiliary views for installation of assemblies 03-22A and 03-22B.



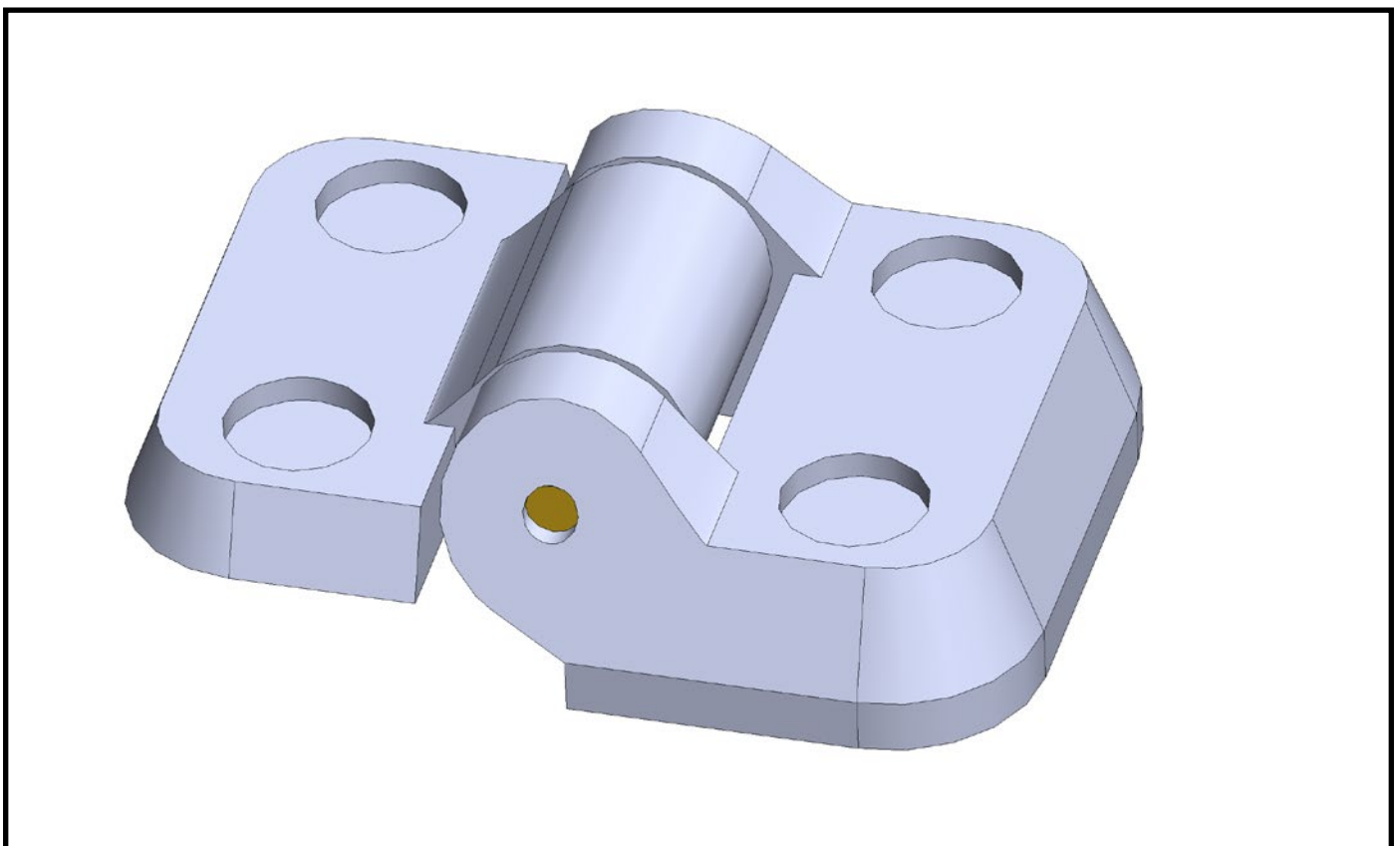
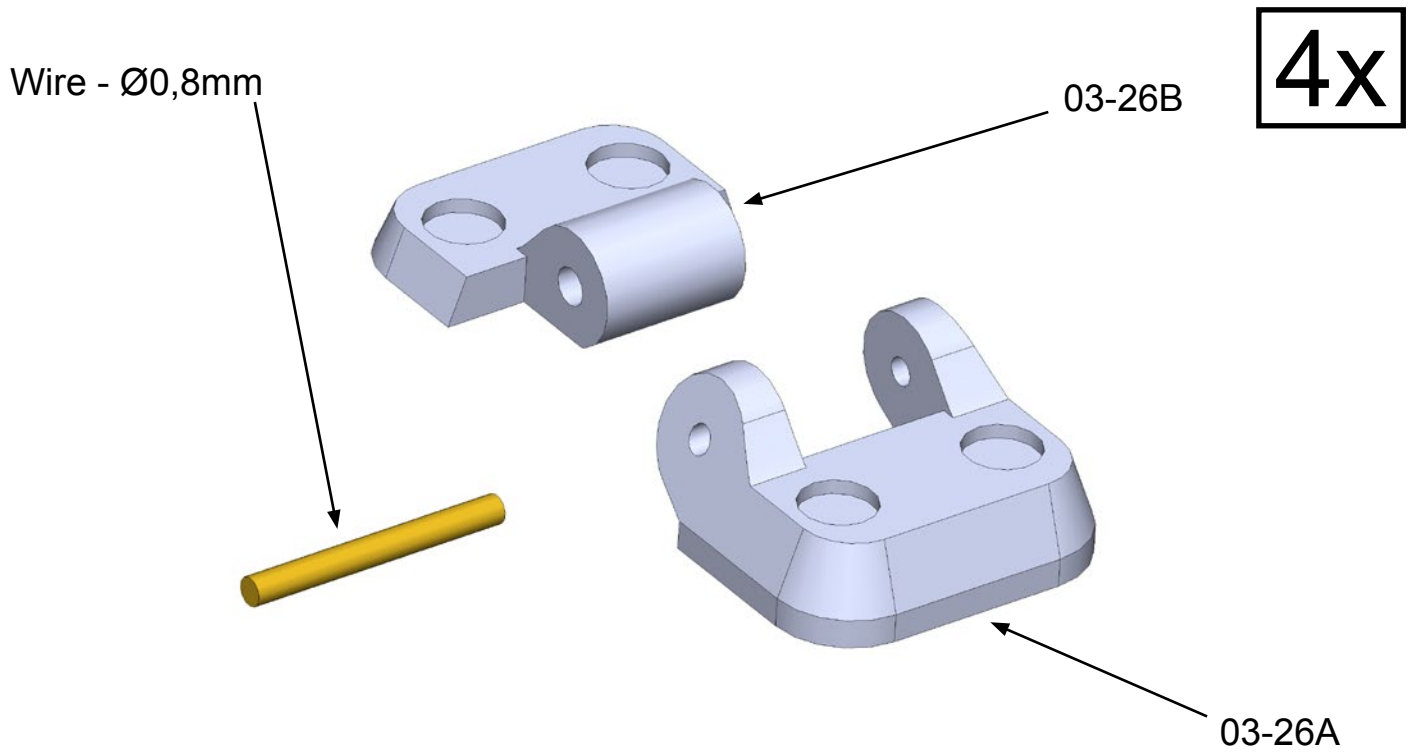
Glue two assemblies 03-23 to assembly 03-21.
The distance between the part and the backrest is 117 mm (see the bottom picture).
Before gluing, refer to the auxiliary views on the next page.



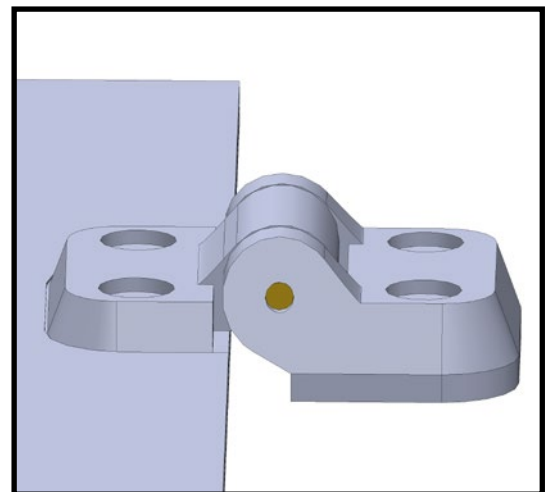
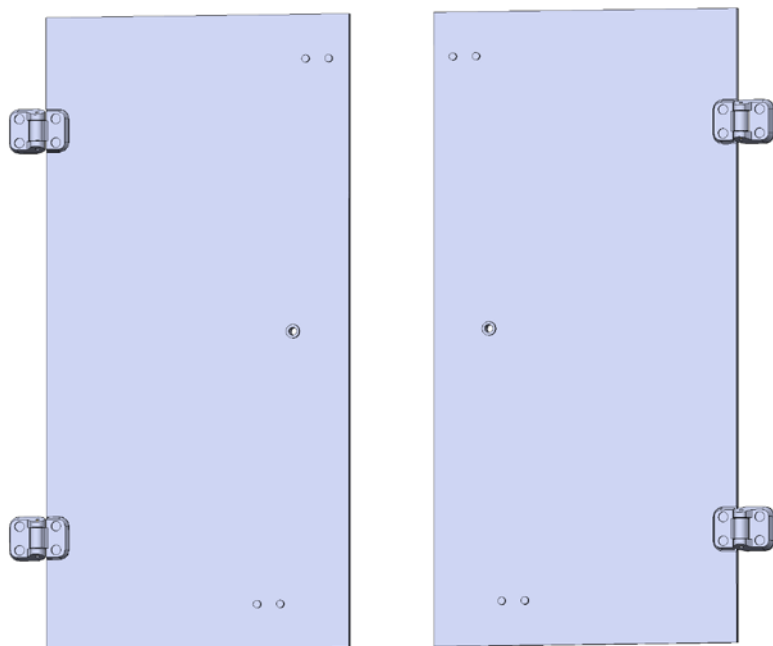
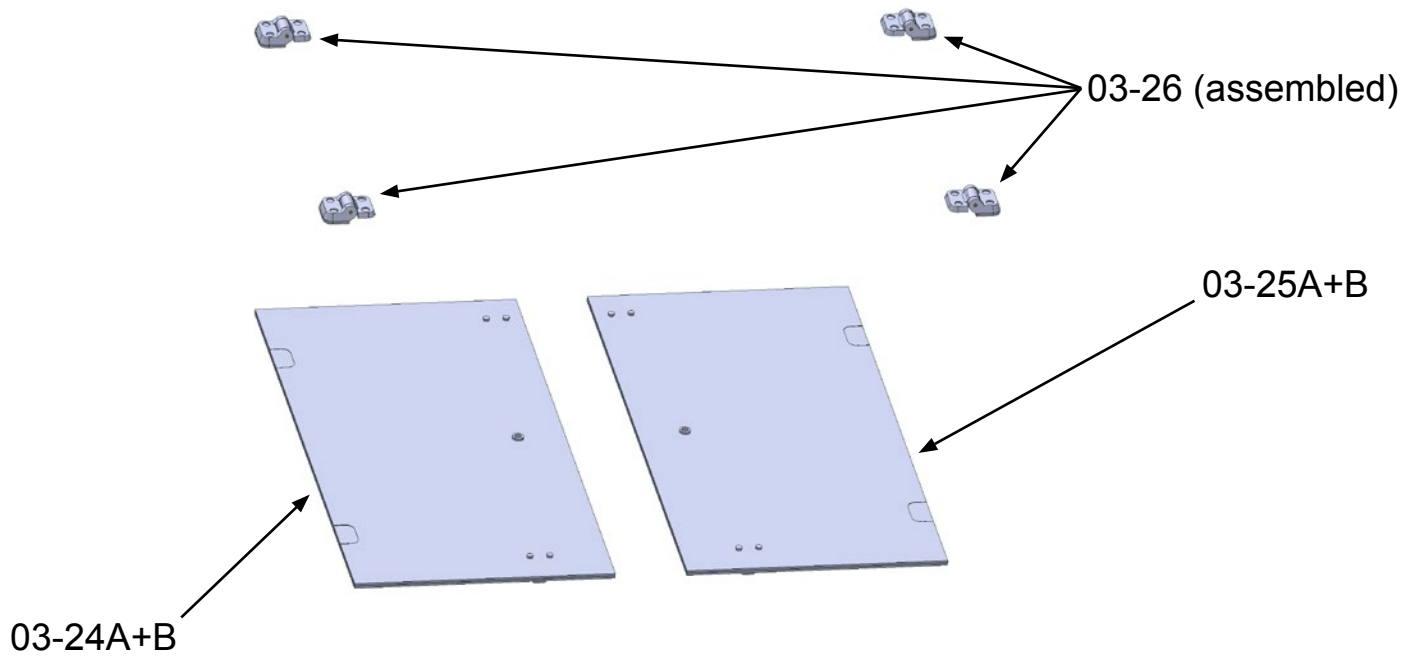
Auxiliary views for installation of assemblies 03-23.



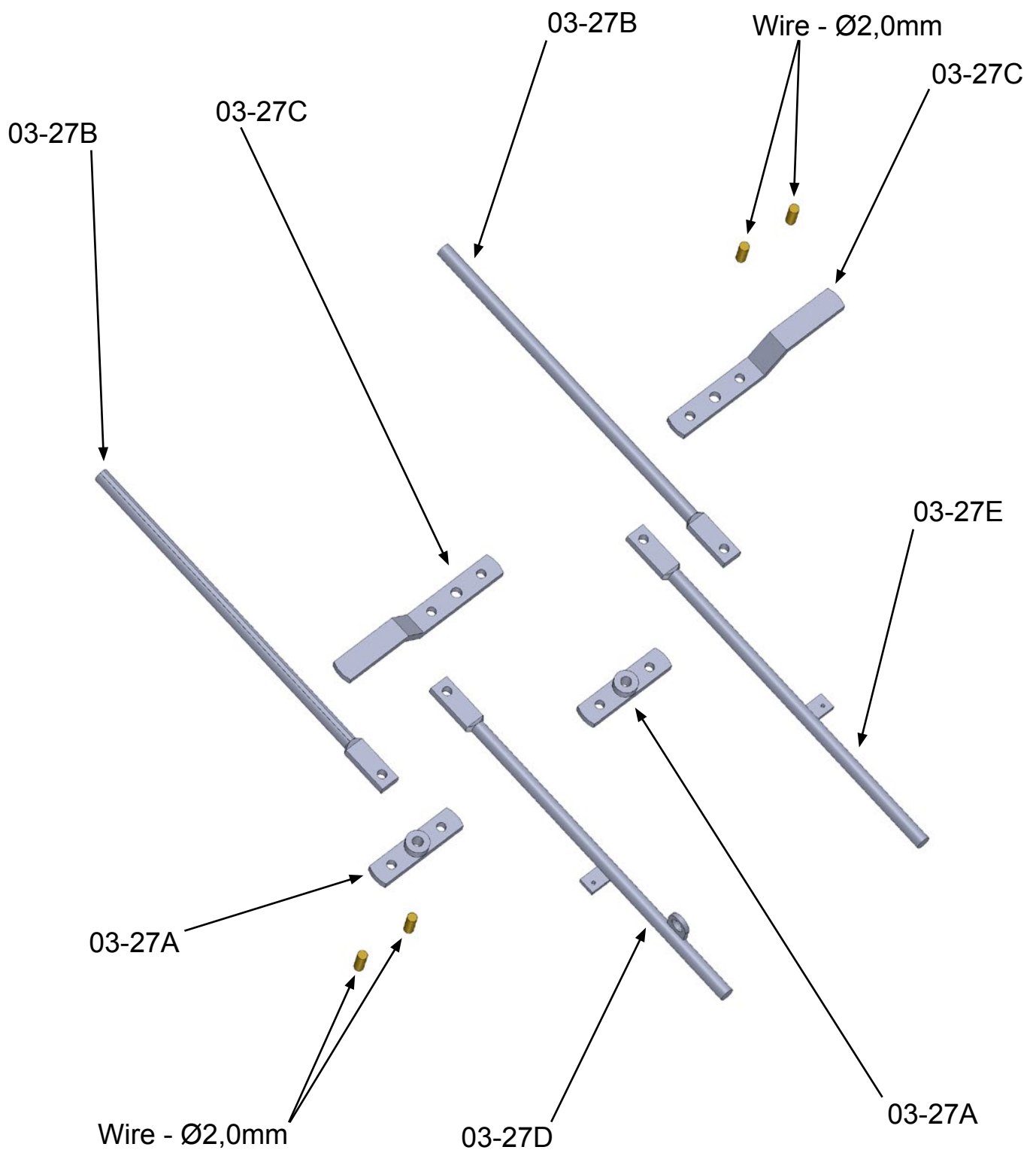
Glue part 03-24A to part 03-24B. Glue part 03-25A to part 03-25B.



Connect parts 03-26A and 03-26B using 0,8 mm diameter wire.
Repeat four times.



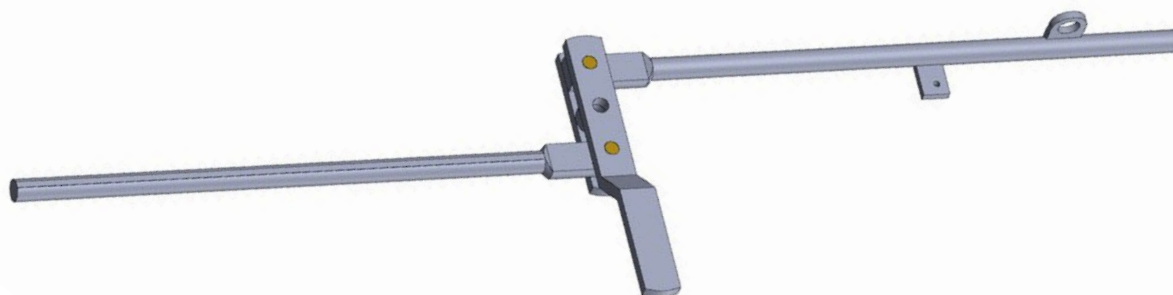
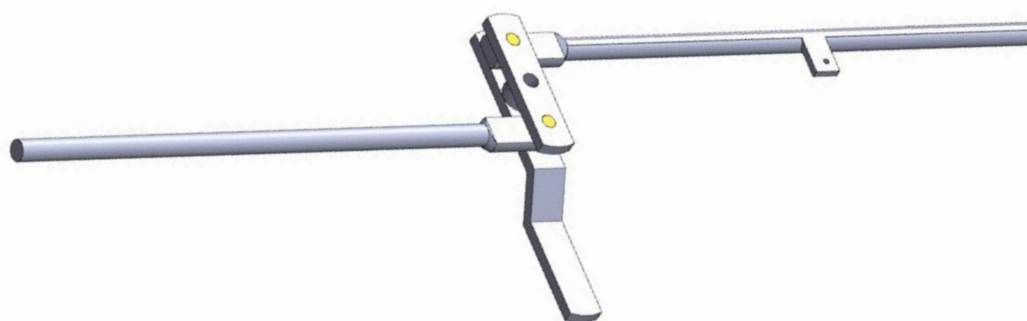
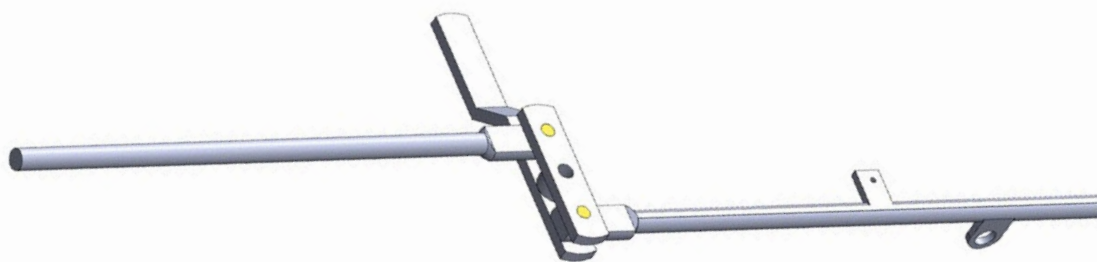
Glue assemblies 03-26 to assemblies 03-24 and 03-25.



Connect parts 03-27A with parts 03-27B, 03-27C, 03-27D, and 03-27E using 2 mm diameter wire.

You will understand this better when you look at the next page.

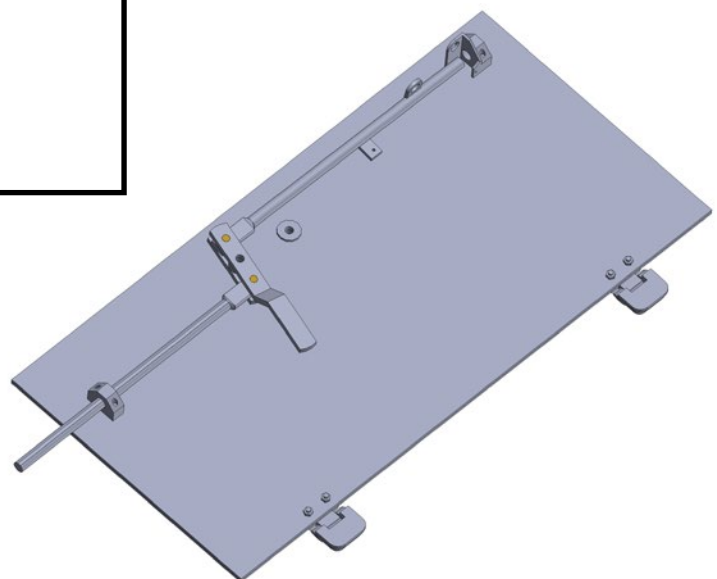
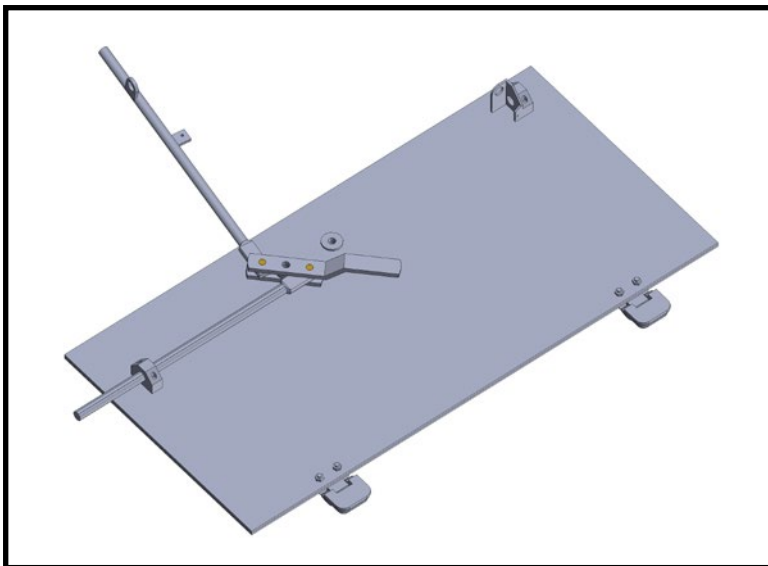
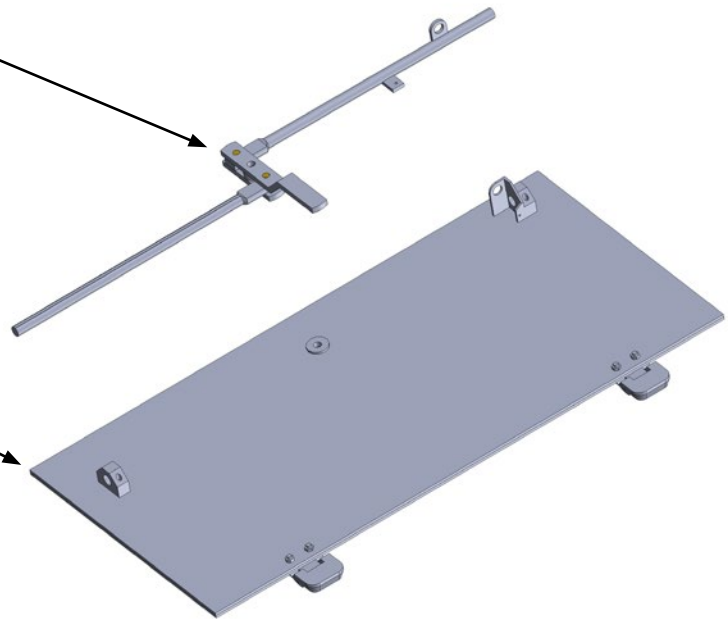
Secure the wire against falling out with a drop of superglue in parts 03-27A and 03-27C.



Auxiliary views for assemblies 03-27. **Parts must rotate freely.**

03-27 (assembled) with 03-27D

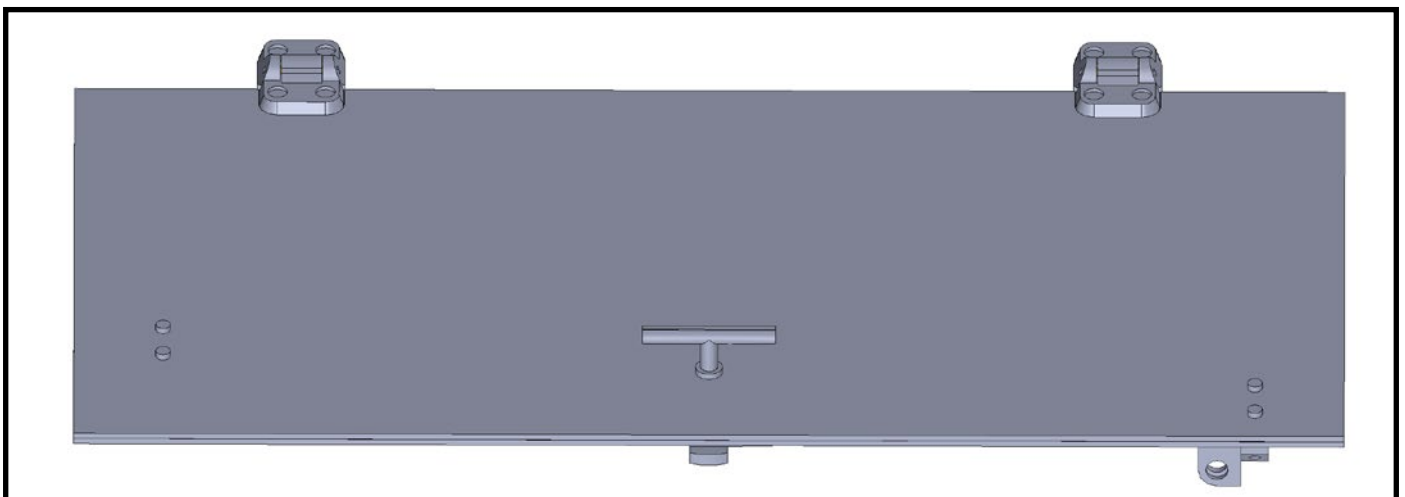
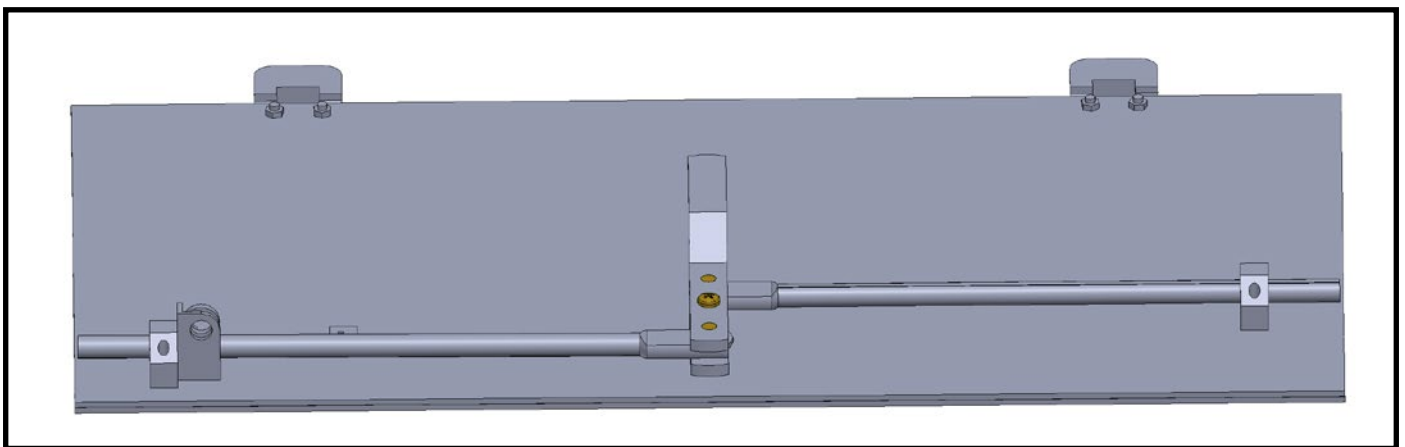
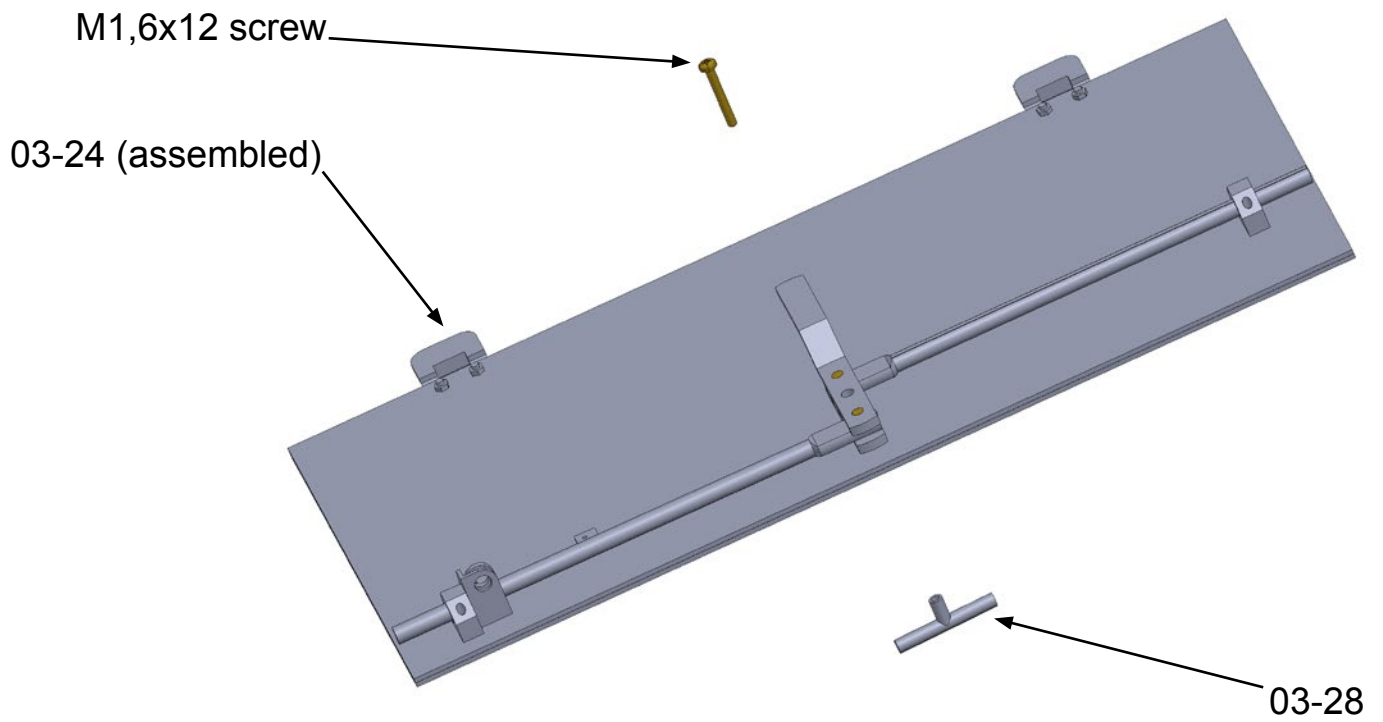
03-24A+B



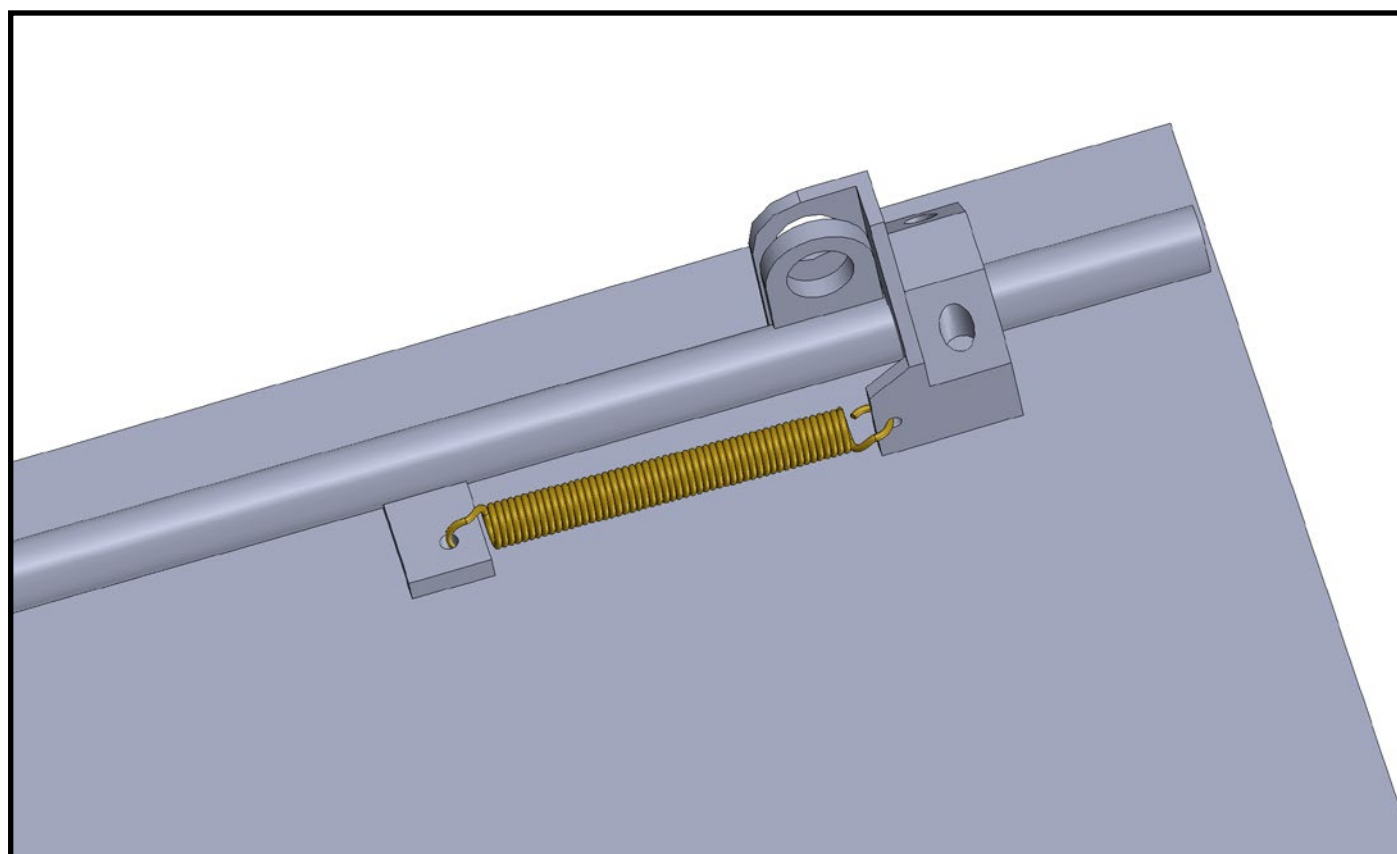
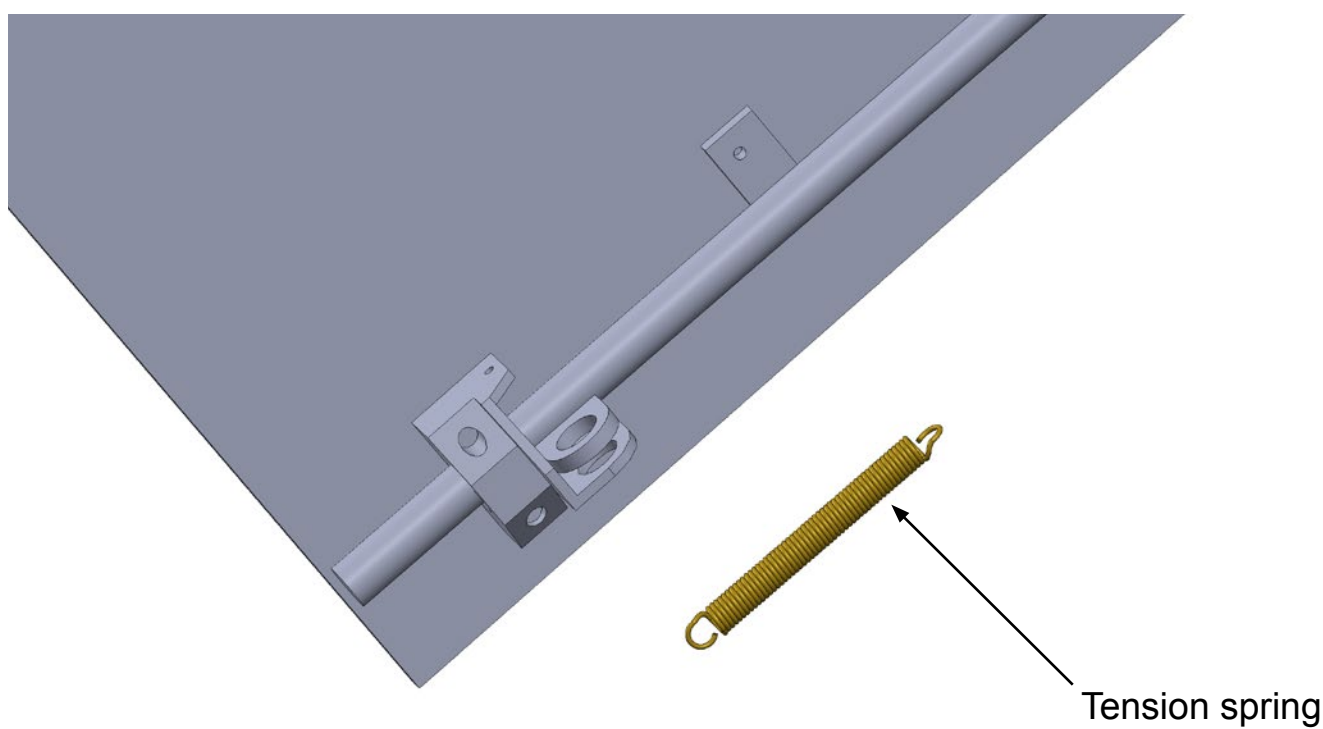
Assembly 03-27 with part 03-27D belongs to assembly 03-24. You can recognize them by the eye for the padlock that is on them. First, insert assembly 03-27 as shown in the middle picture. Then insert the other side as shown in the bottom picture.

222

Assembly 03 - Upper Hull - Rear Doors



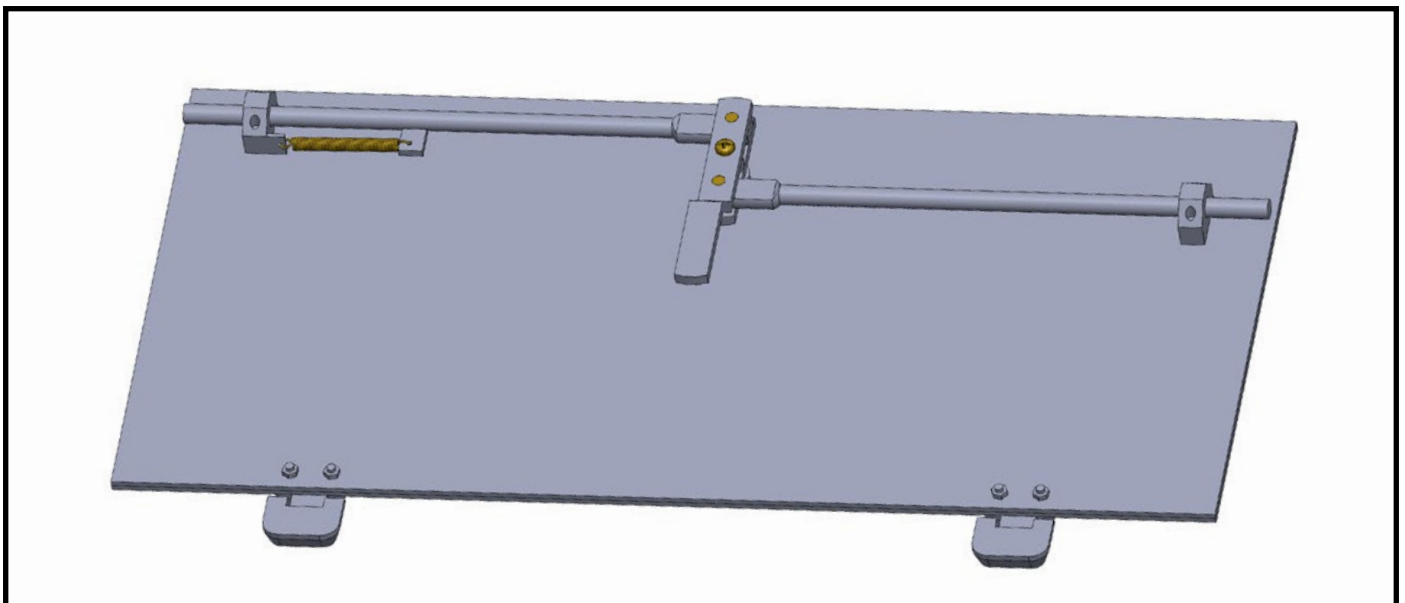
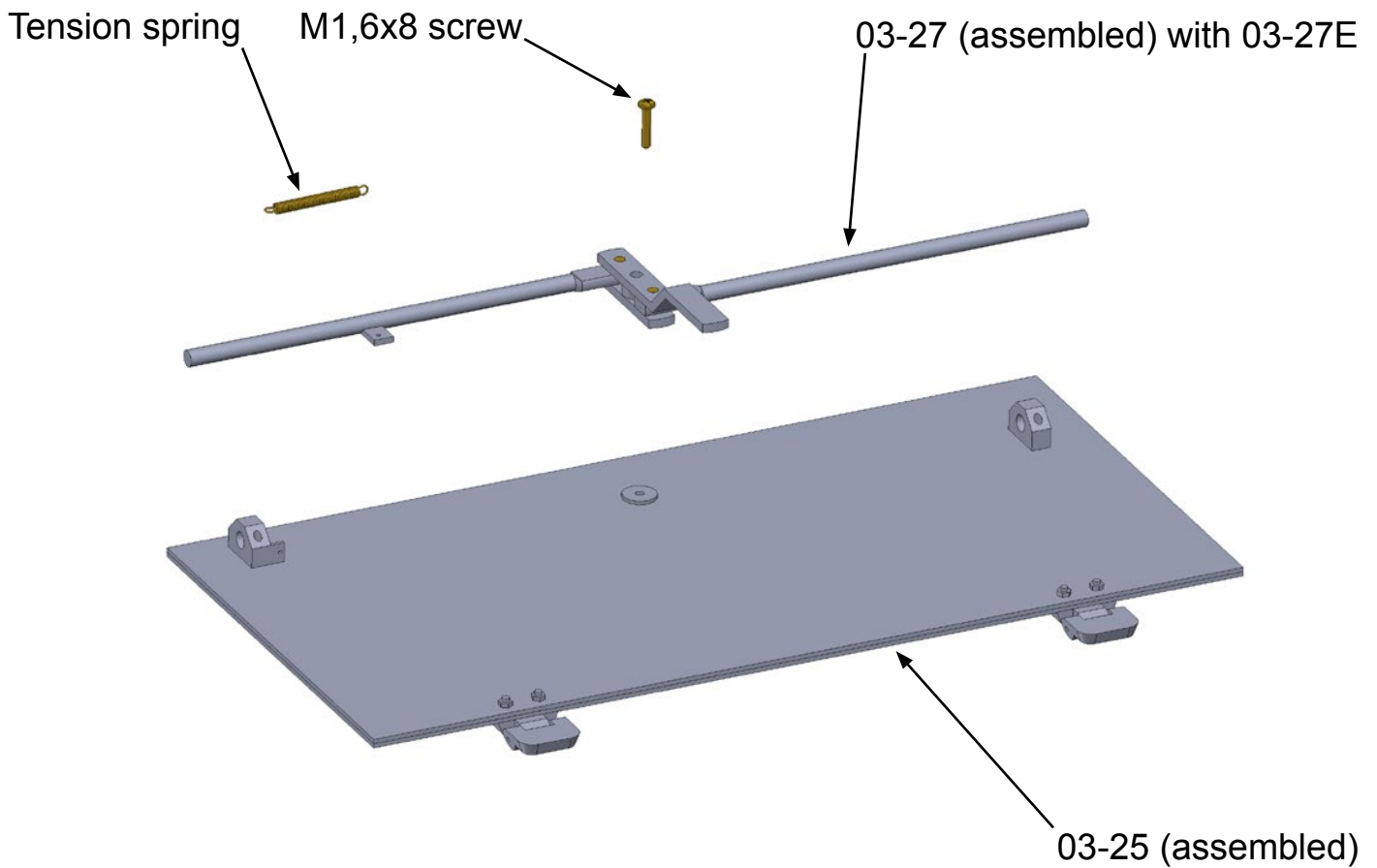
Connect assembly 03-24 and part 03-28 using an M1,6x12 screw.



Add a tension spring.

224

Assembly 03 - Upper Hull - Rear Doors



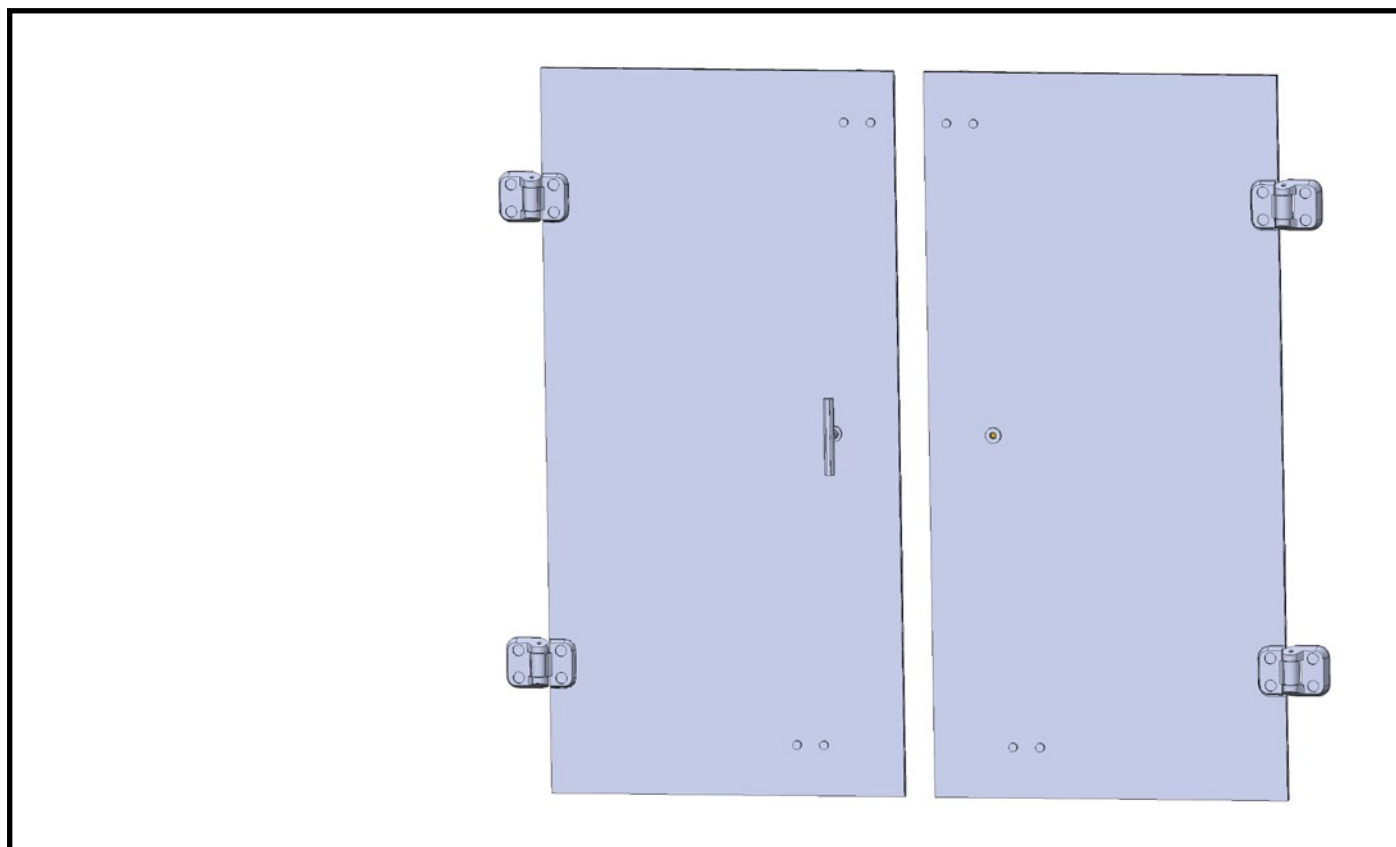
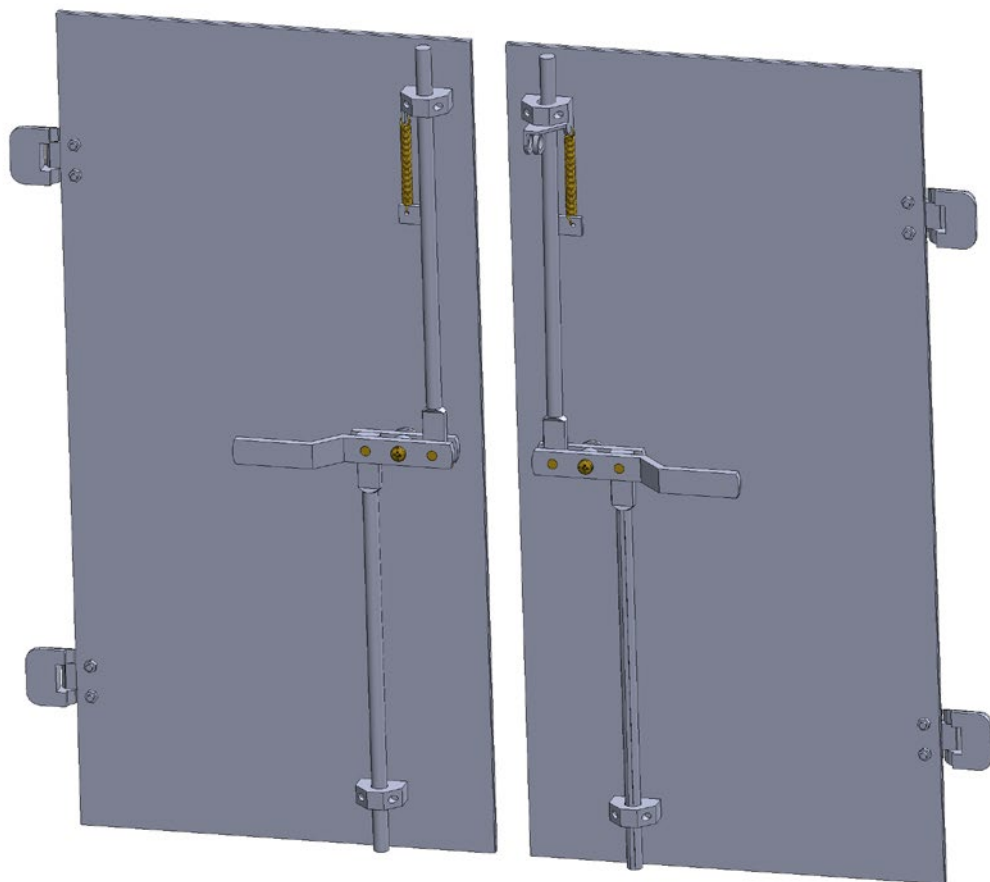
Assembly 03-27 with part 03-27E belongs to assembly 03-25.

These parts do not have an eye for a padlock.

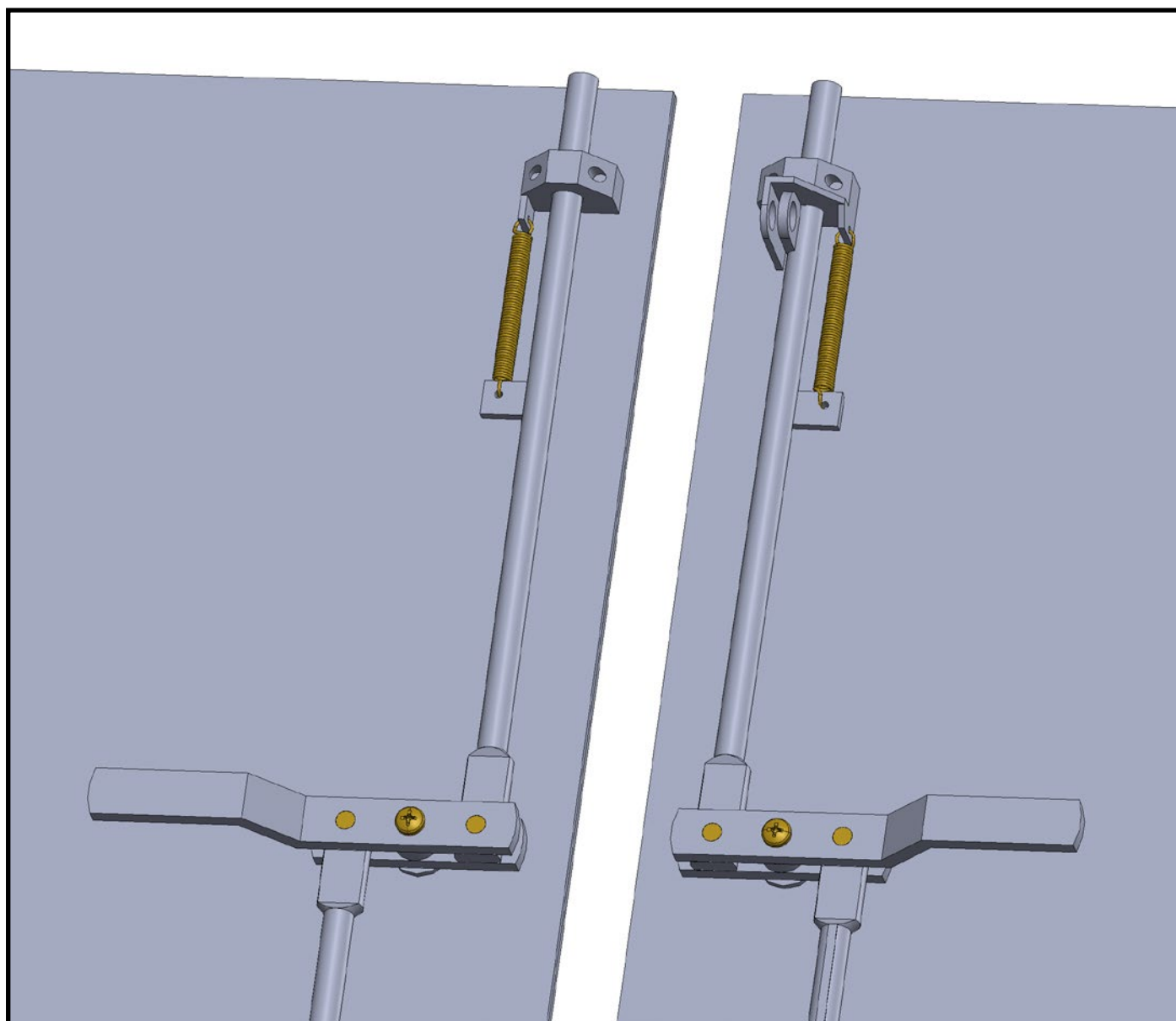
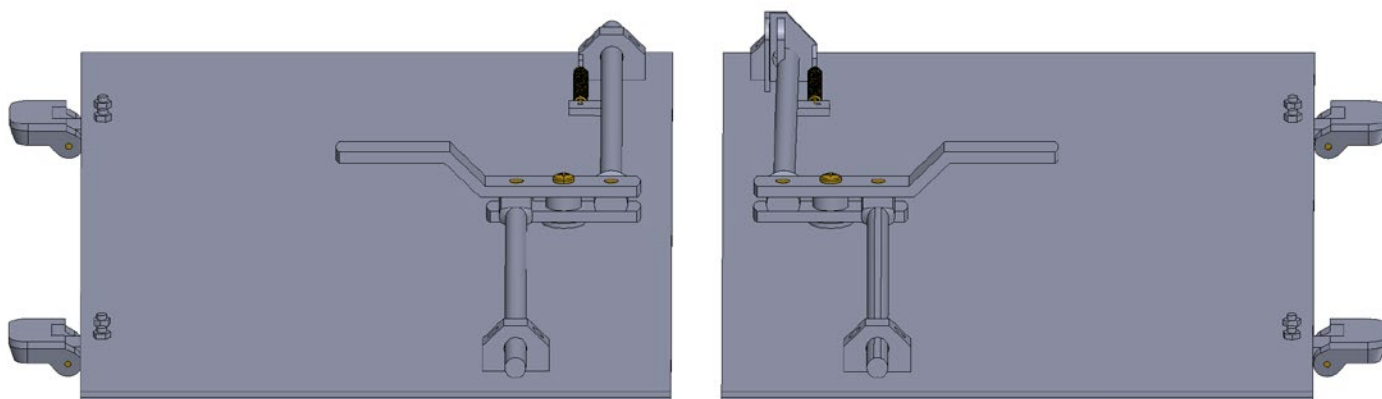
The procedure is the same as for assembly 03-24.

The only difference is that you should use an M1,6x8 screw.

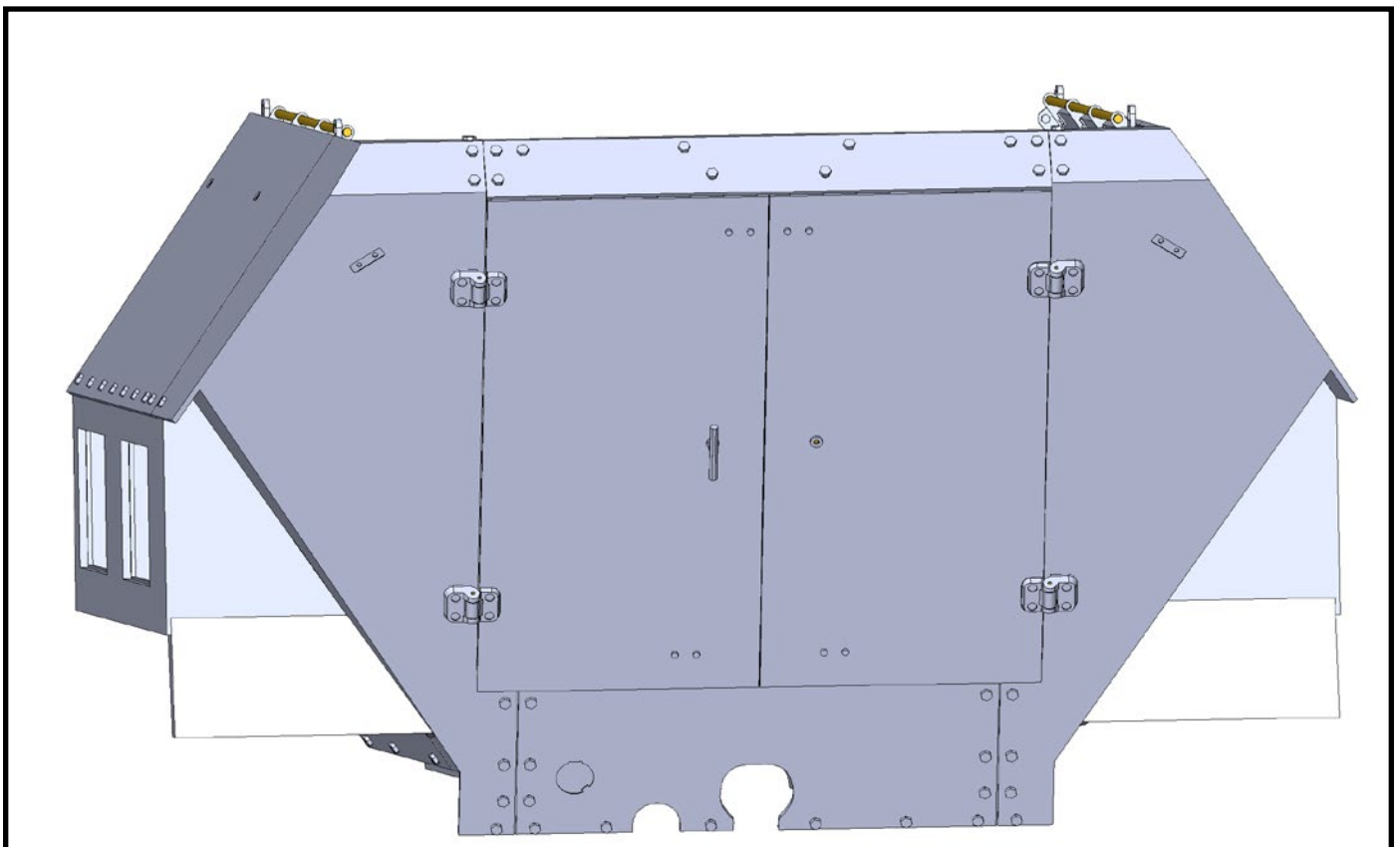
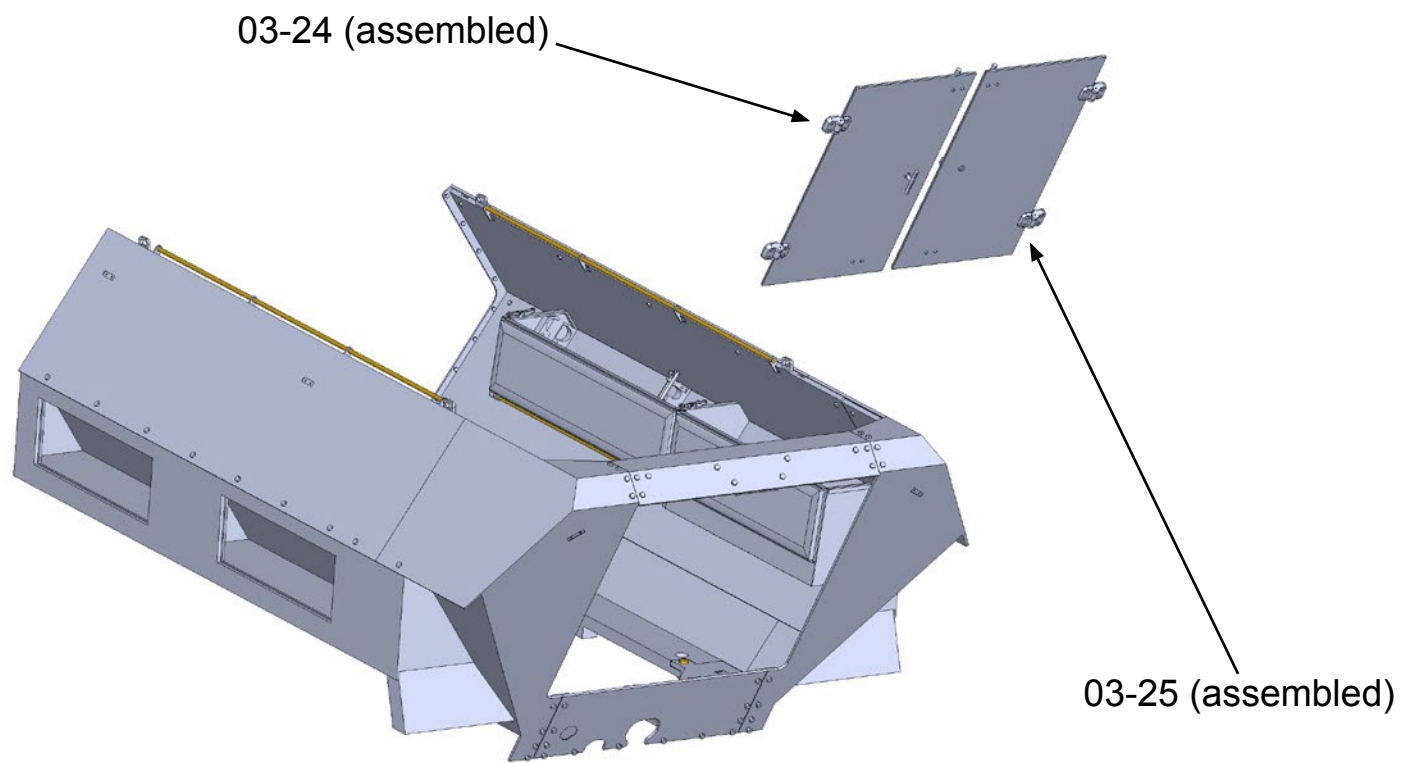
Do not forget to add the spring.



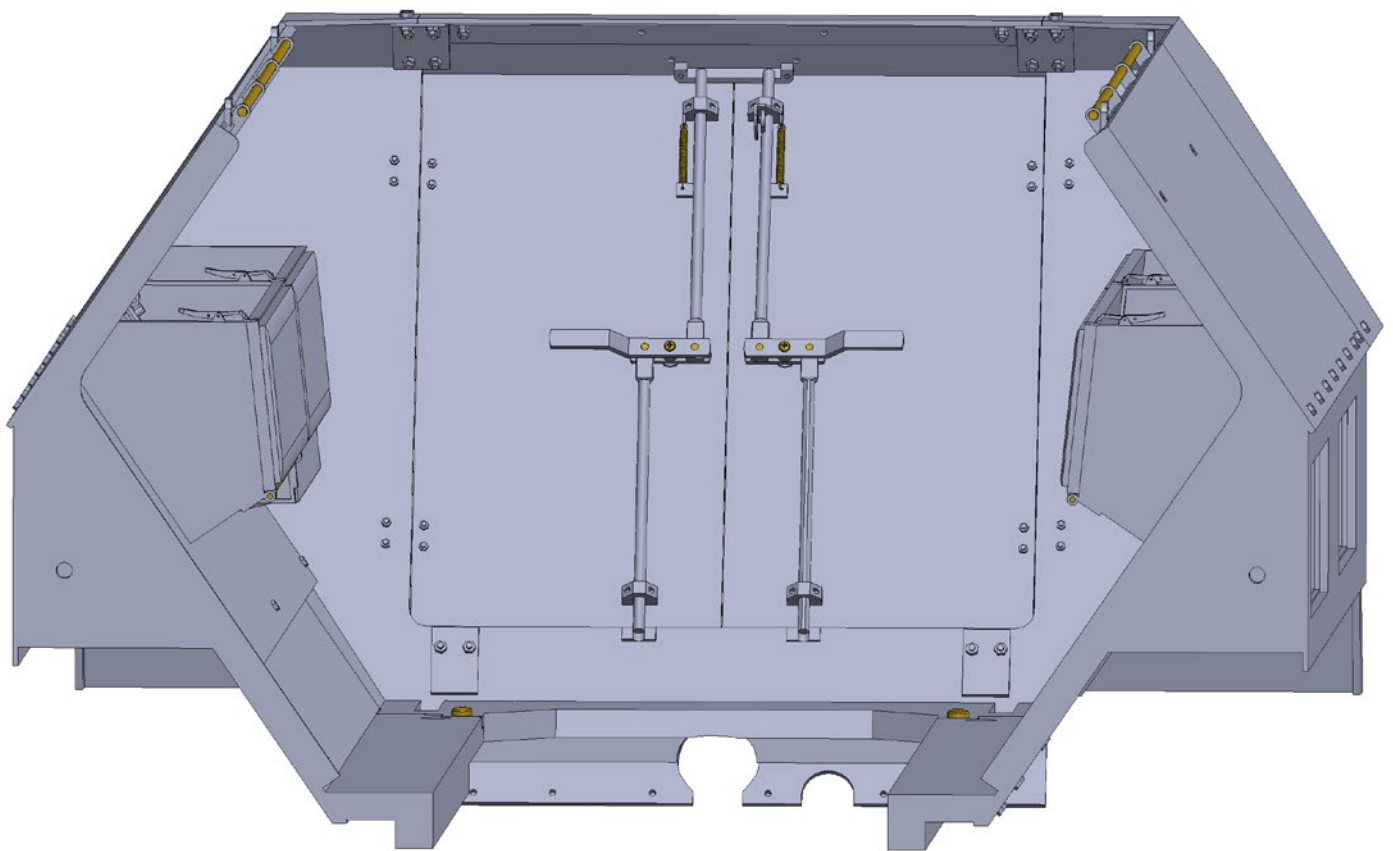
Auxiliary views for assemblies 03-24 and 03-25.



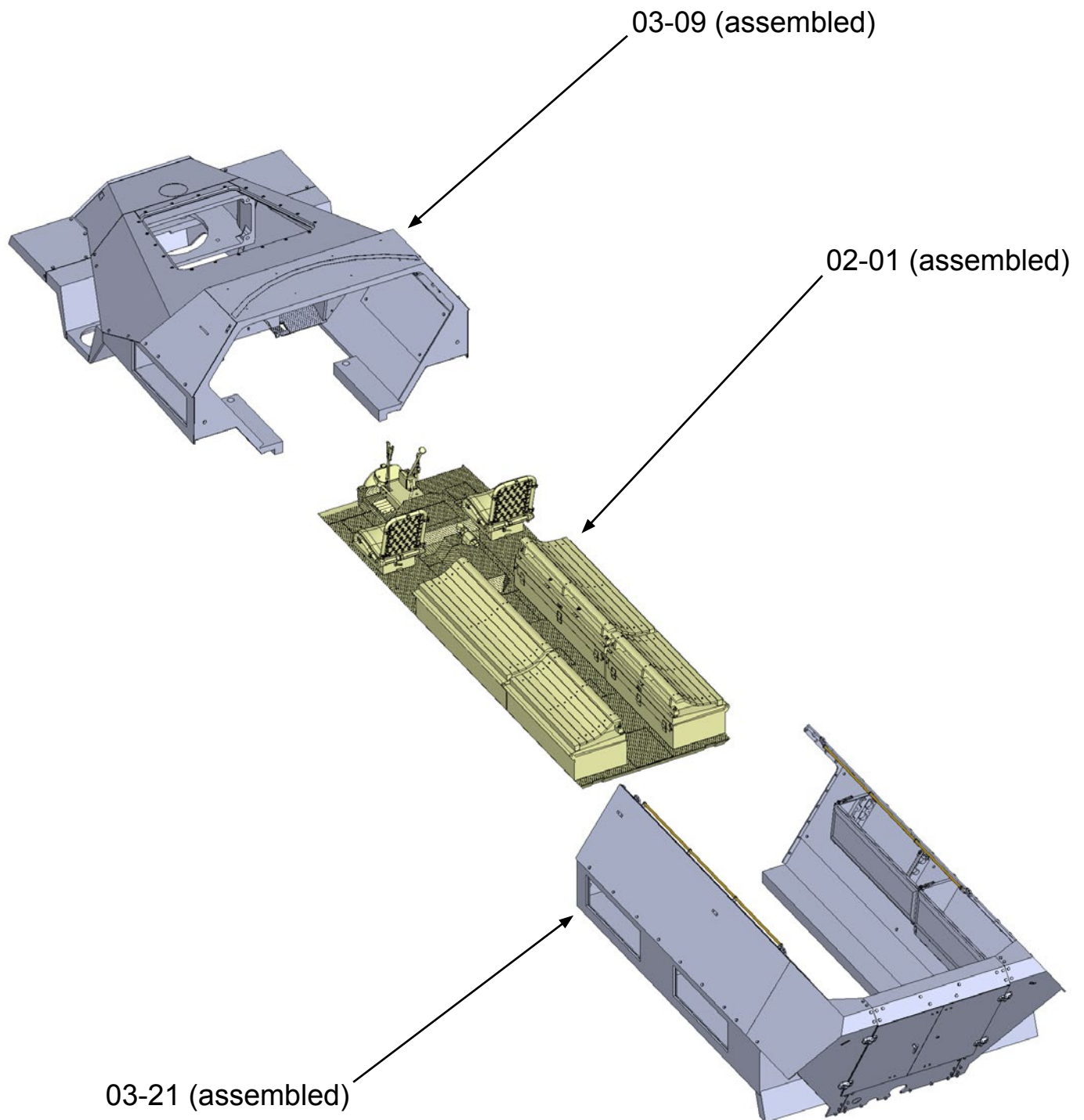
Auxiliary views for assemblies 03-24 and 03-25.



Glue assemblies 03-24 and 03-25 to the assembly 03-21.
Apply glue only to parts 03-26A !!! Perform a dry fit before gluing.



Auxiliary views for installation of assemblies 03-24 and 03-25.



Assembly 03-01 is already inserted in assembly 03-09. If not, insert it now.

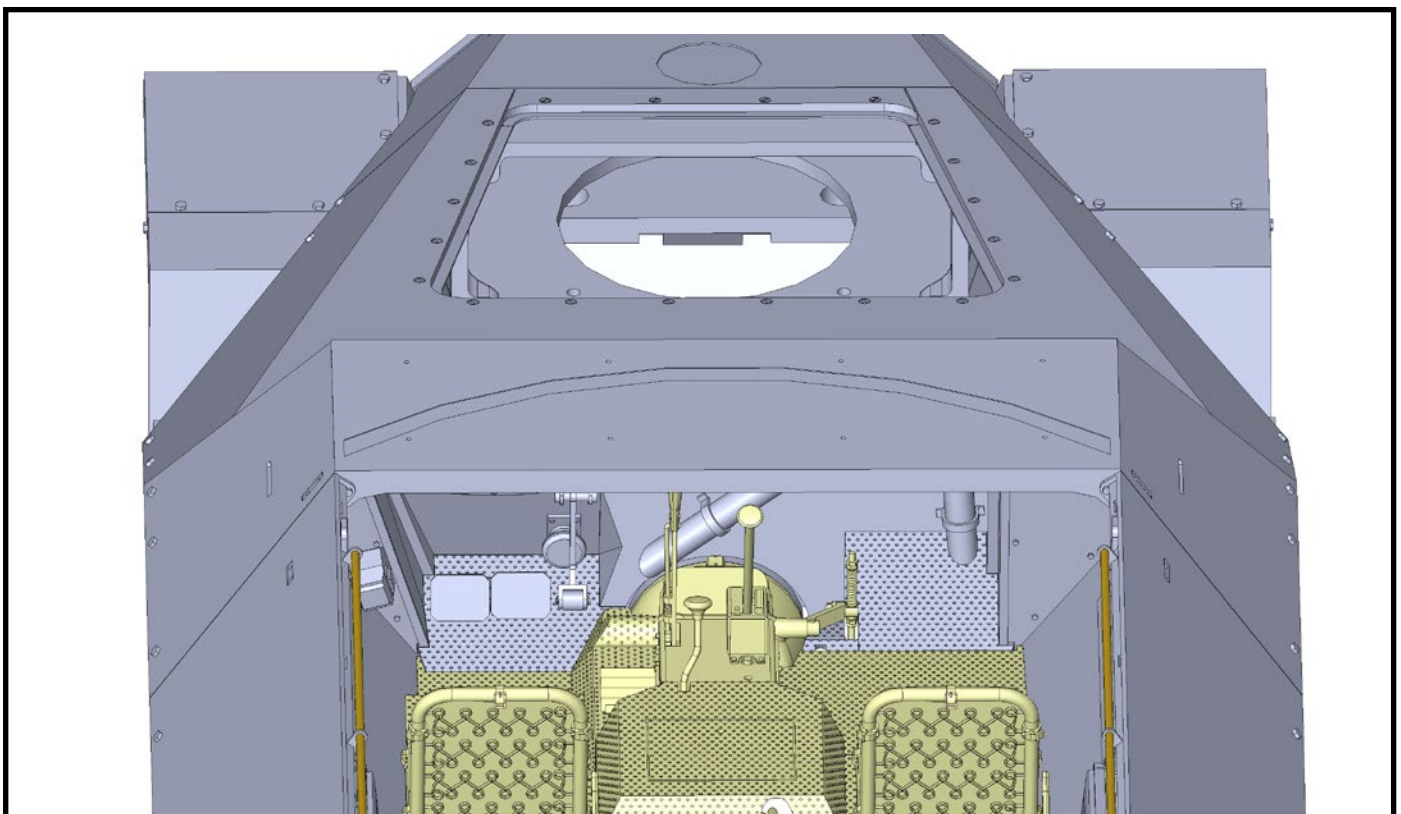
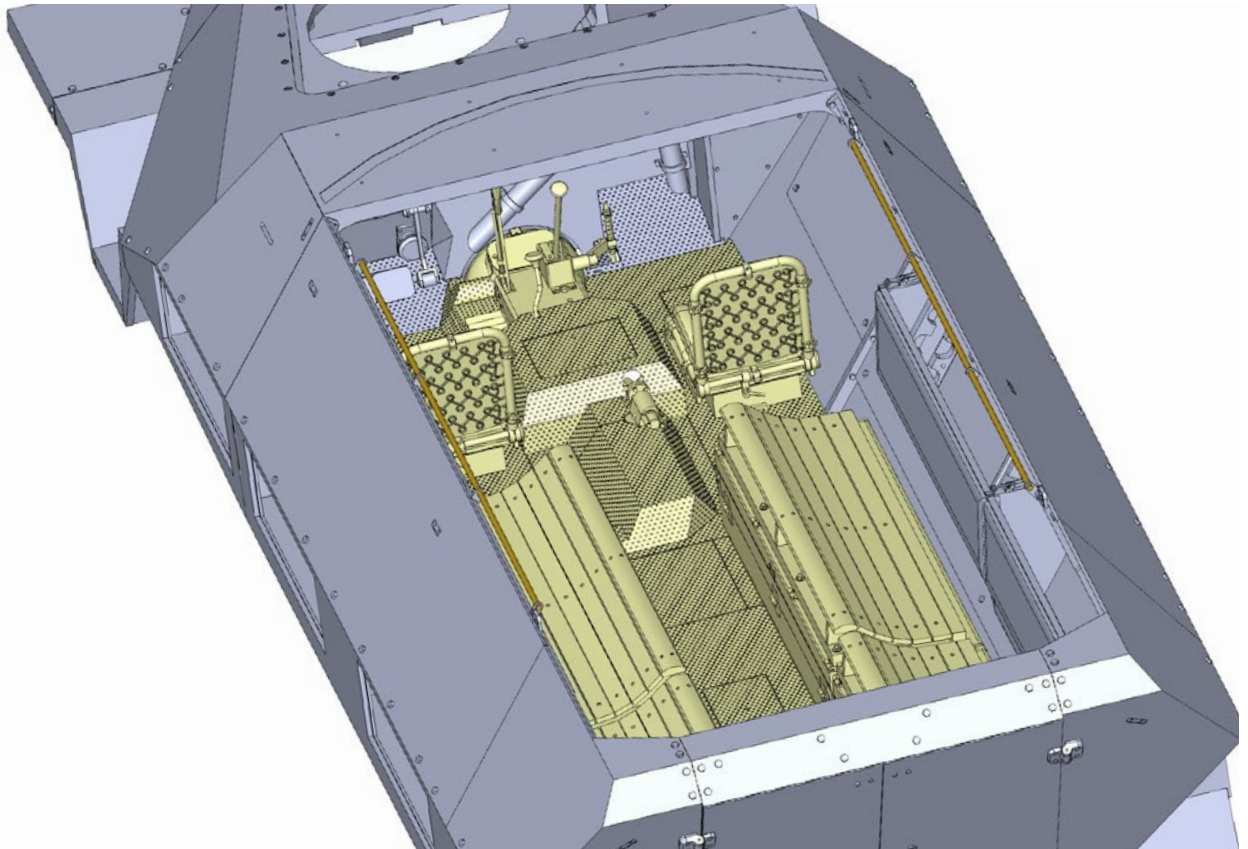
First, very carefully slide assembly 02-01 into assembly 03-09.

Gently move assembly 03-01 until it fits precisely into assembly 02-01.

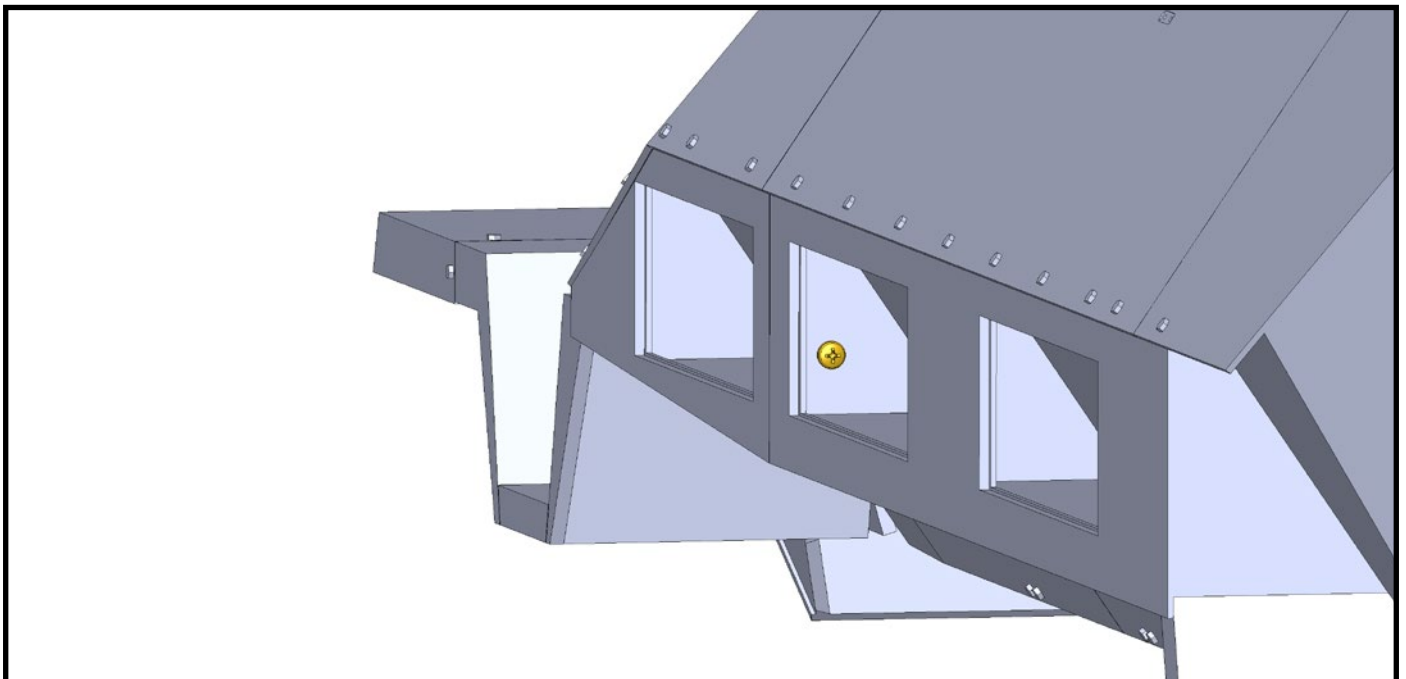
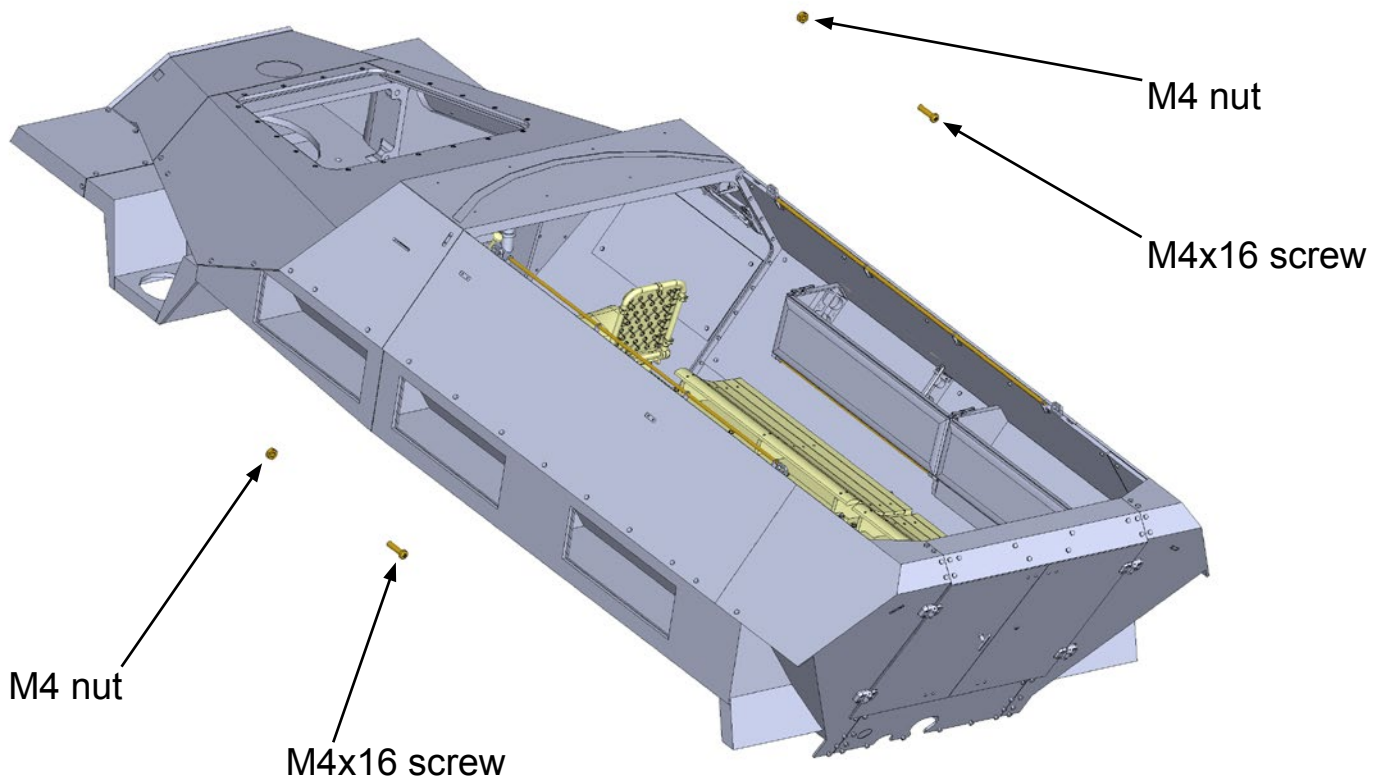
Finally, insert assembly 03-21 so that it connects with assembly 03-09.

Do not glue anything together yet.

For a better explanation of the process, watch our video:



Auxiliary views for installation of assemblies 02-01, 03-09 and 03-21.



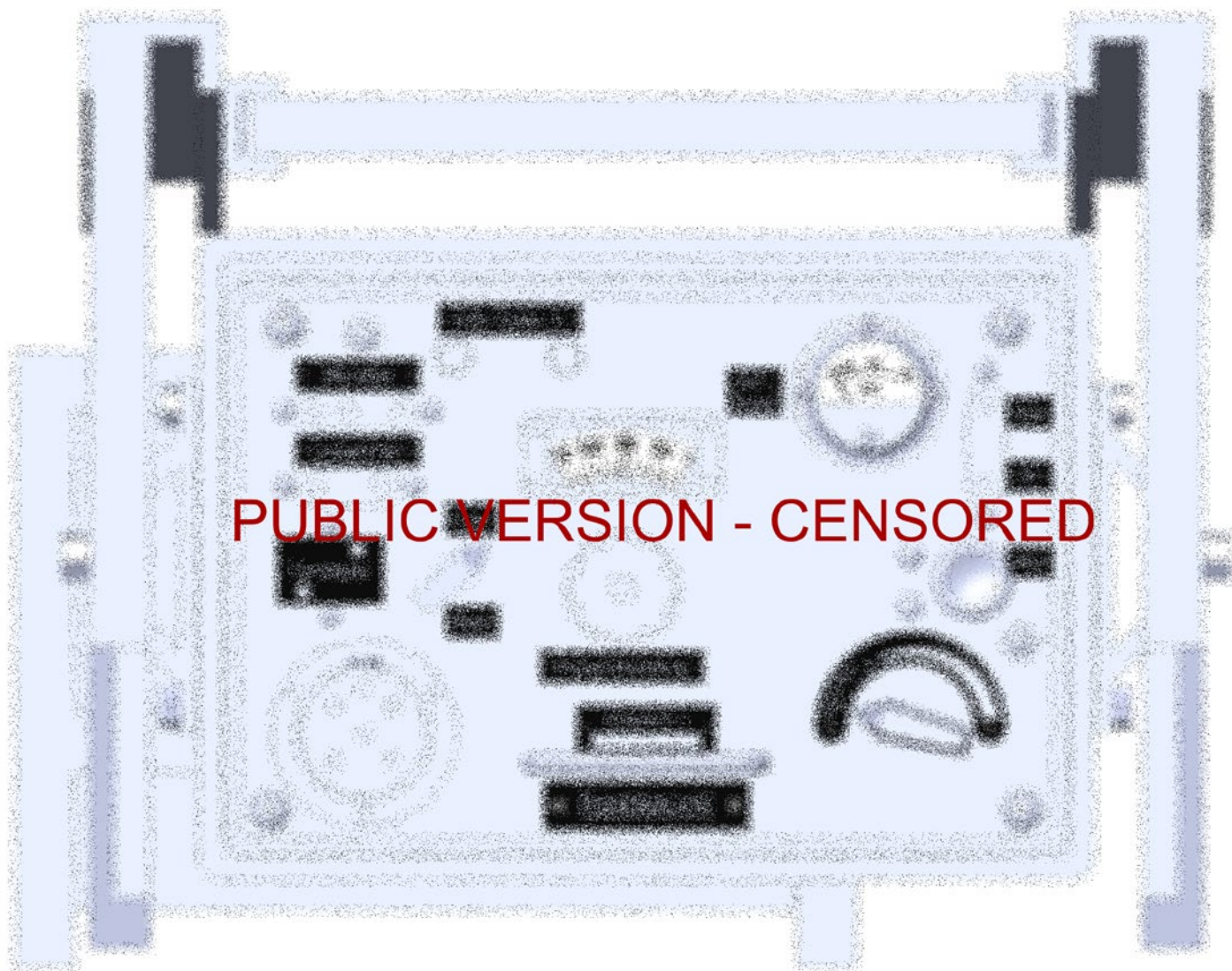
Secure the assemblies using M4x16 screws and M4 nuts.

Now choose one of the following options:

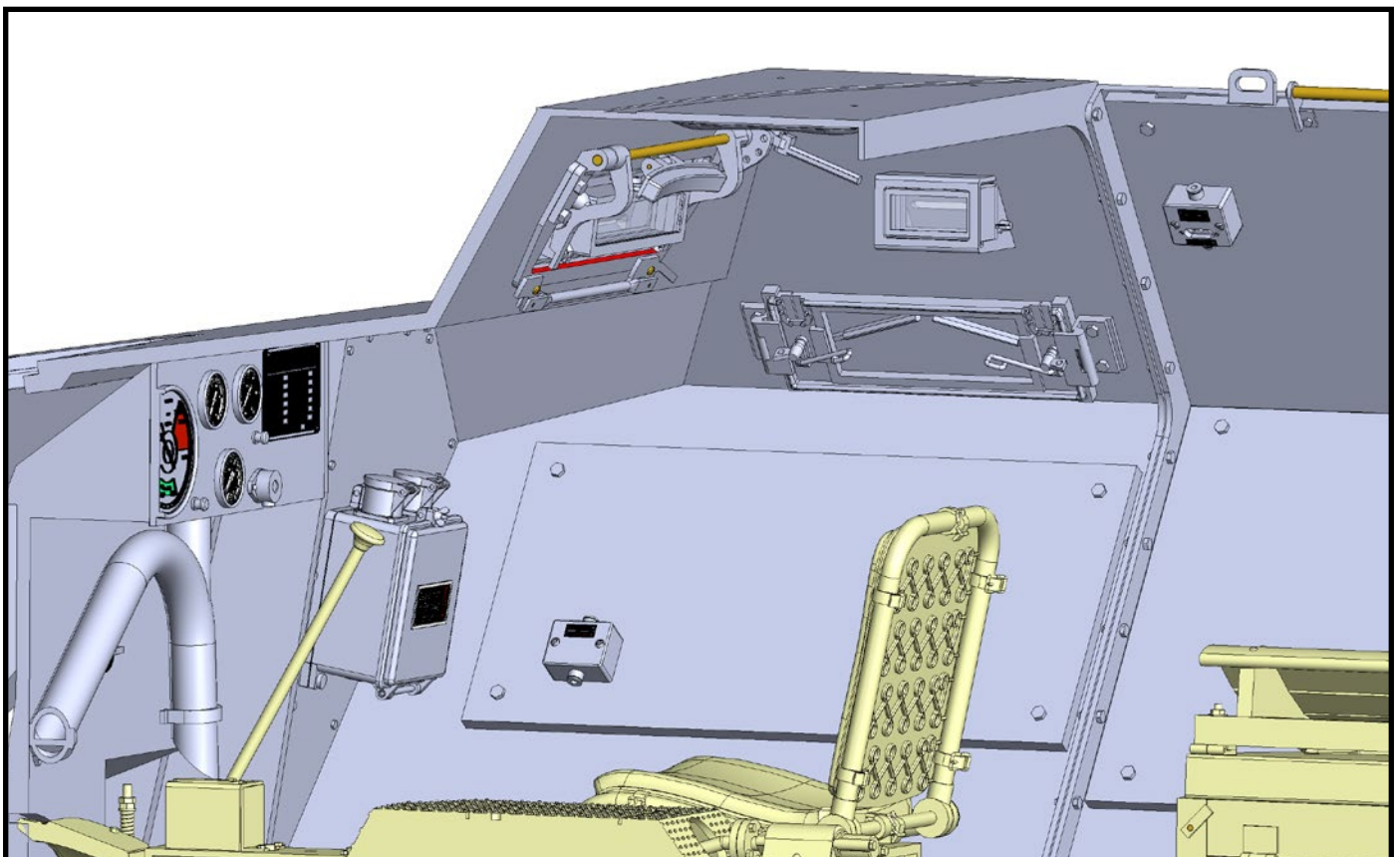
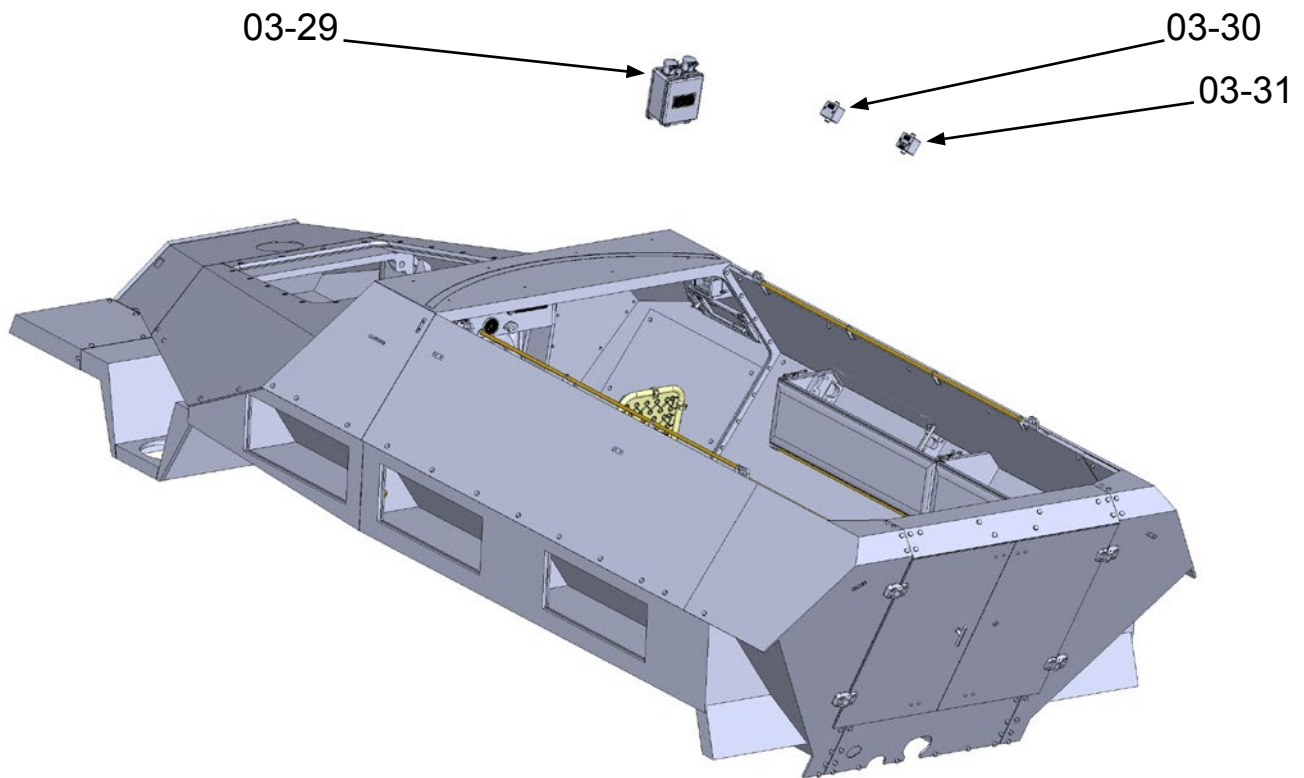
1. Do not glue the assemblies 02-01, 03-01, 03-09, and 03-21 together. The screws are sufficient and allow the model to be opened in the future.
2. Glue assemblies 02-01, 03-01, 03-09, and 03-21 together. In this case, further access to the driver's compartment will be very difficult.



Paint parts 03-29, 03-30 and 03-31.
Apply the waterslide decals as shown in the picture.



Paint parts 03-32A and 03-32B.
Apply the waterslide decals as shown in the picture.

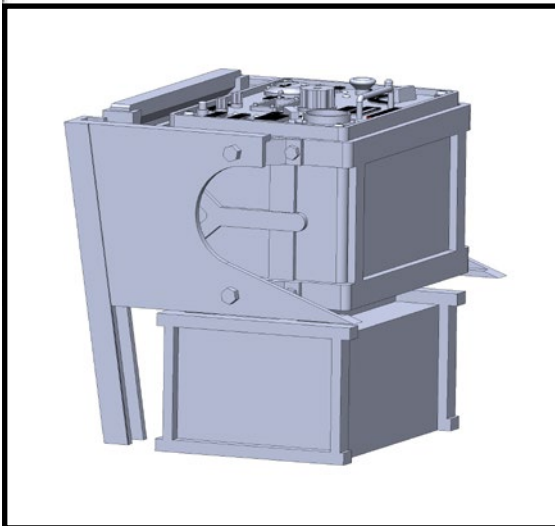


Glue parts 03-29, 03-30 and 03-31 into assembly 03-09.

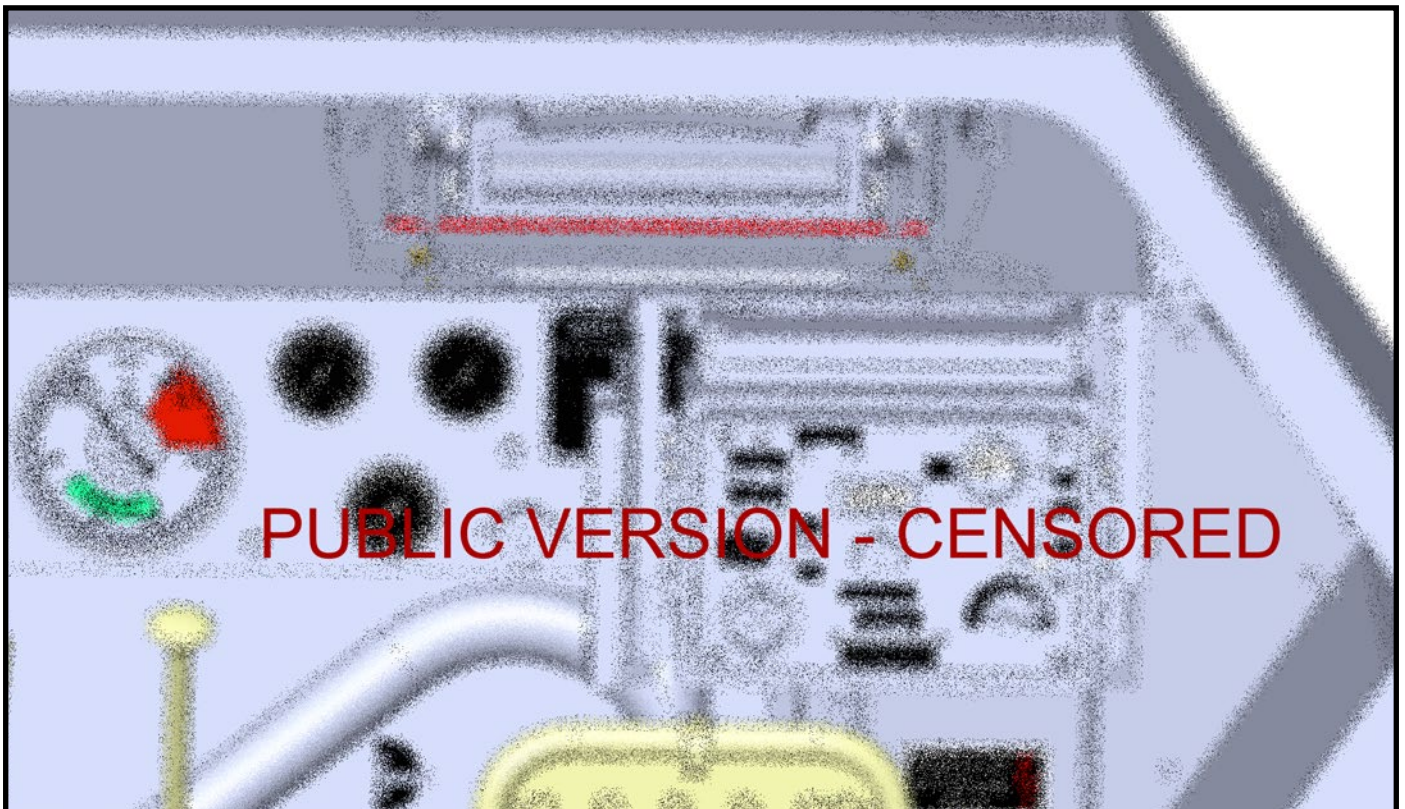
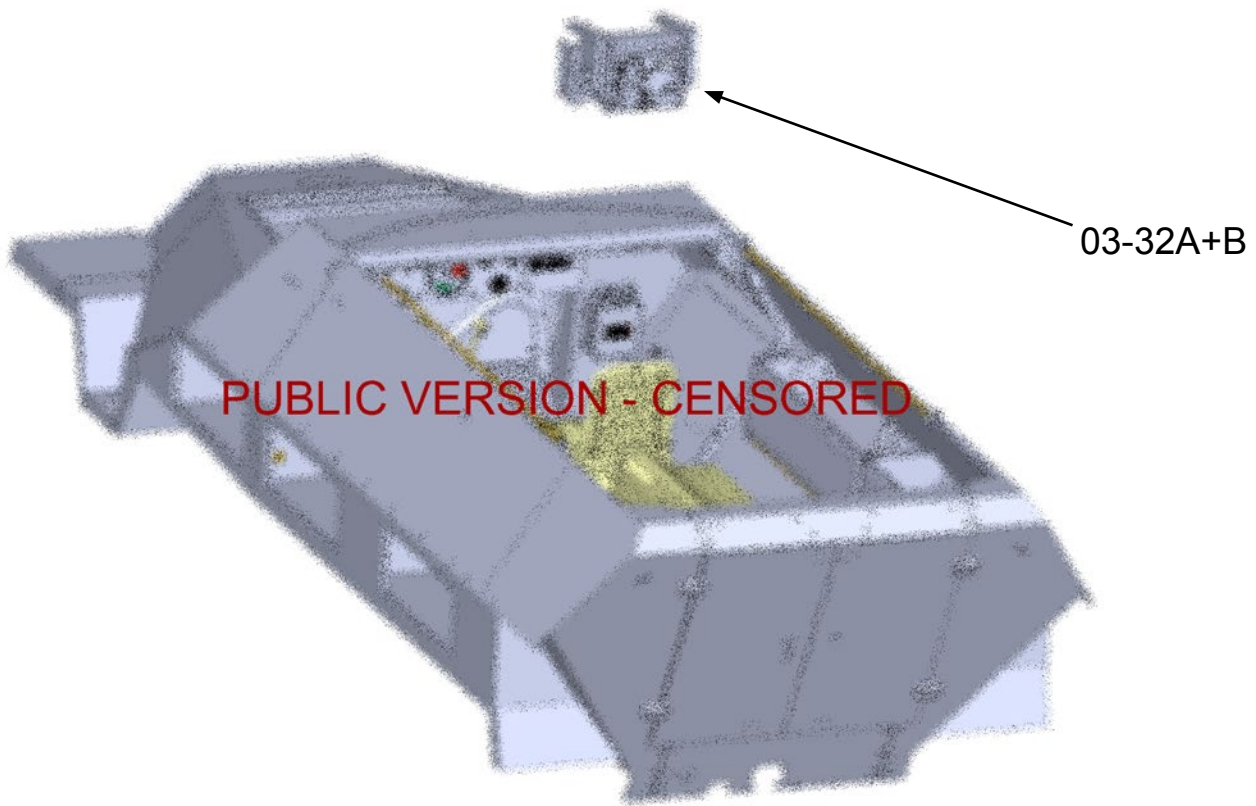
03-32B



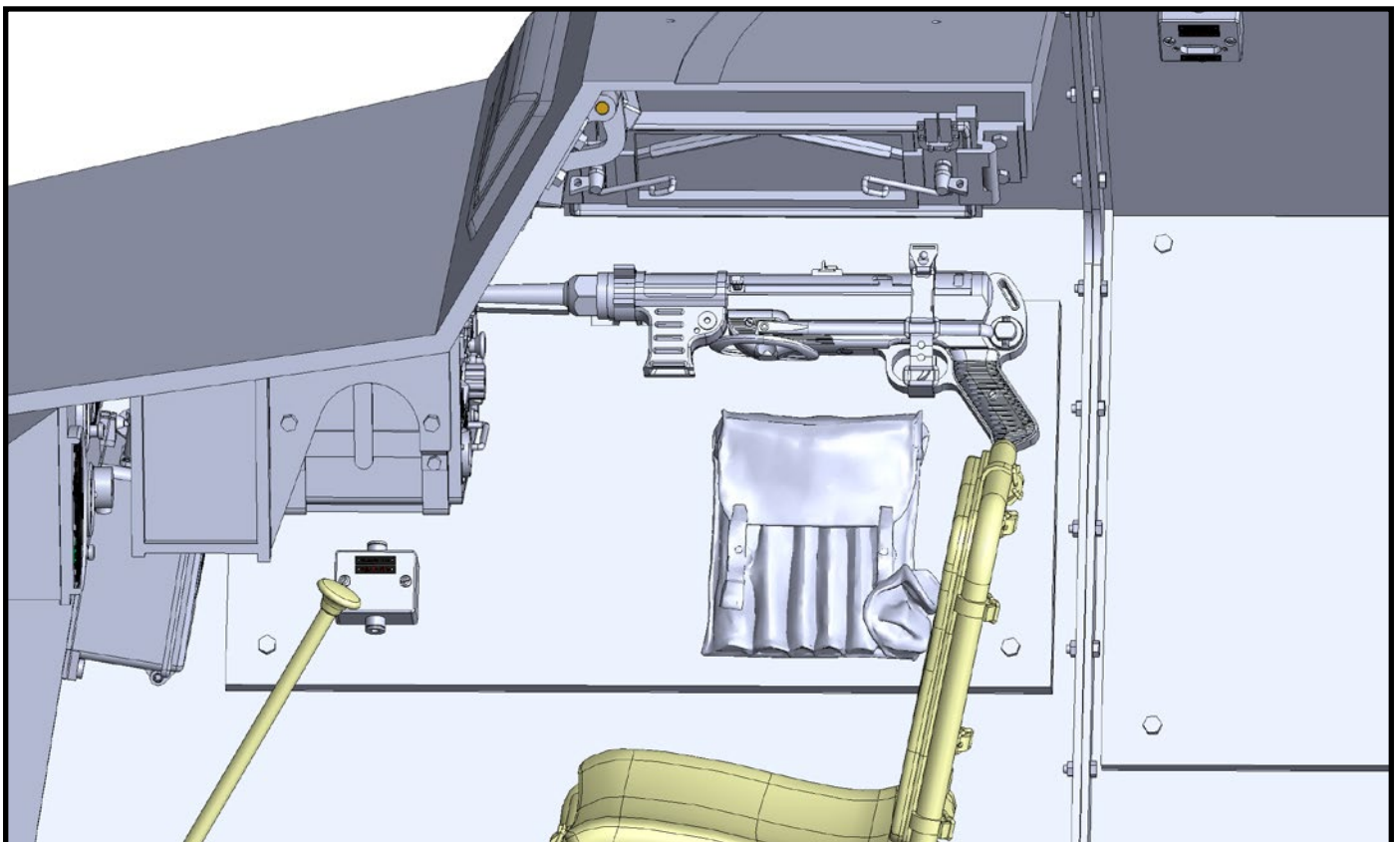
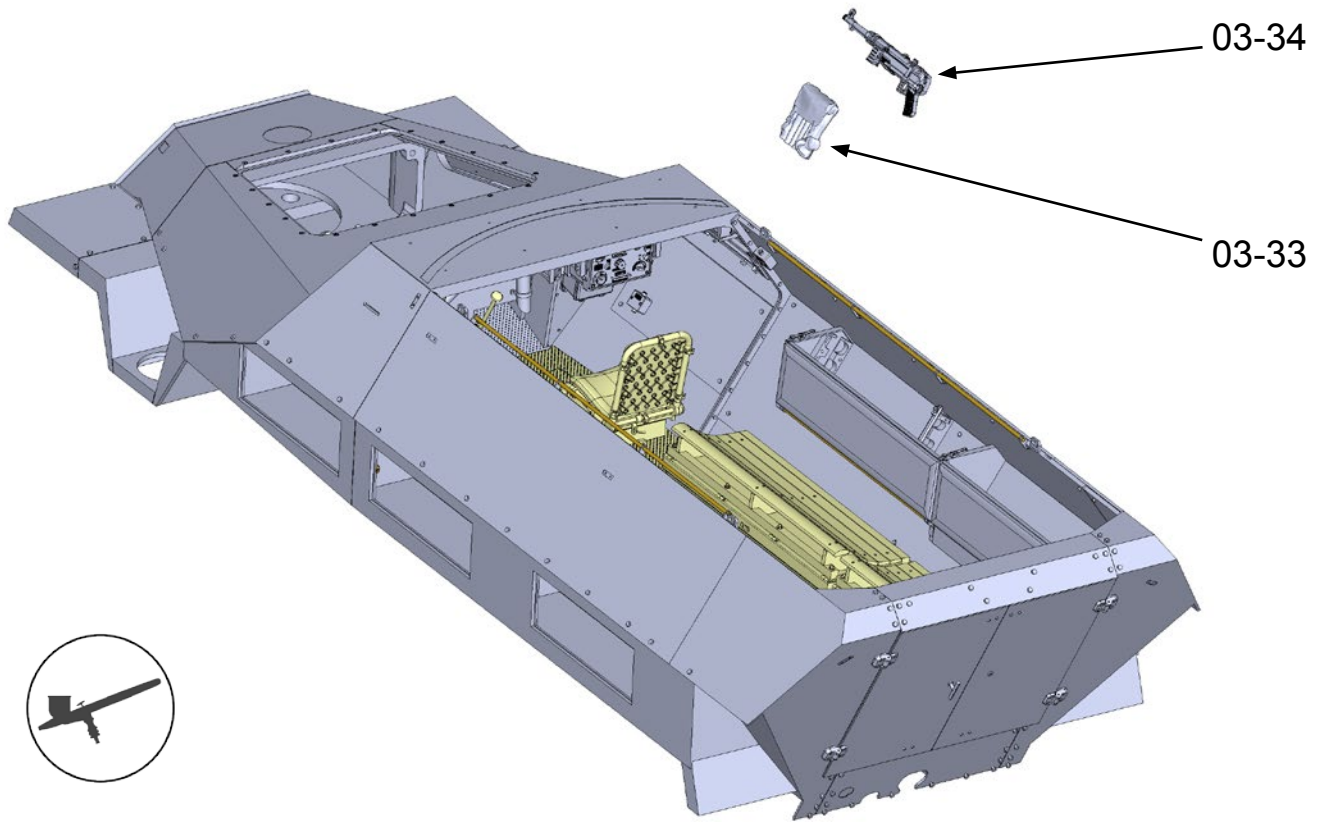
03-32A



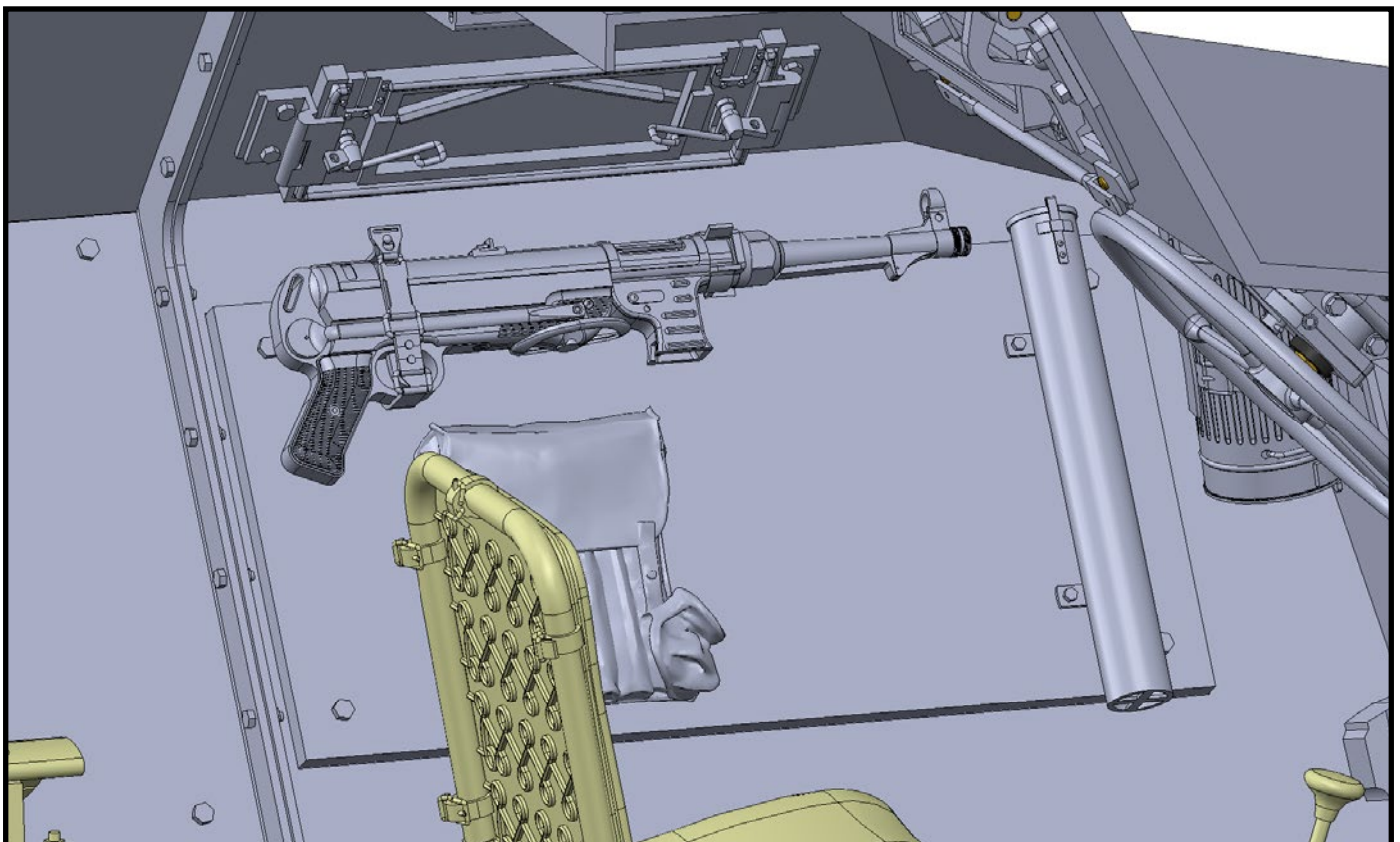
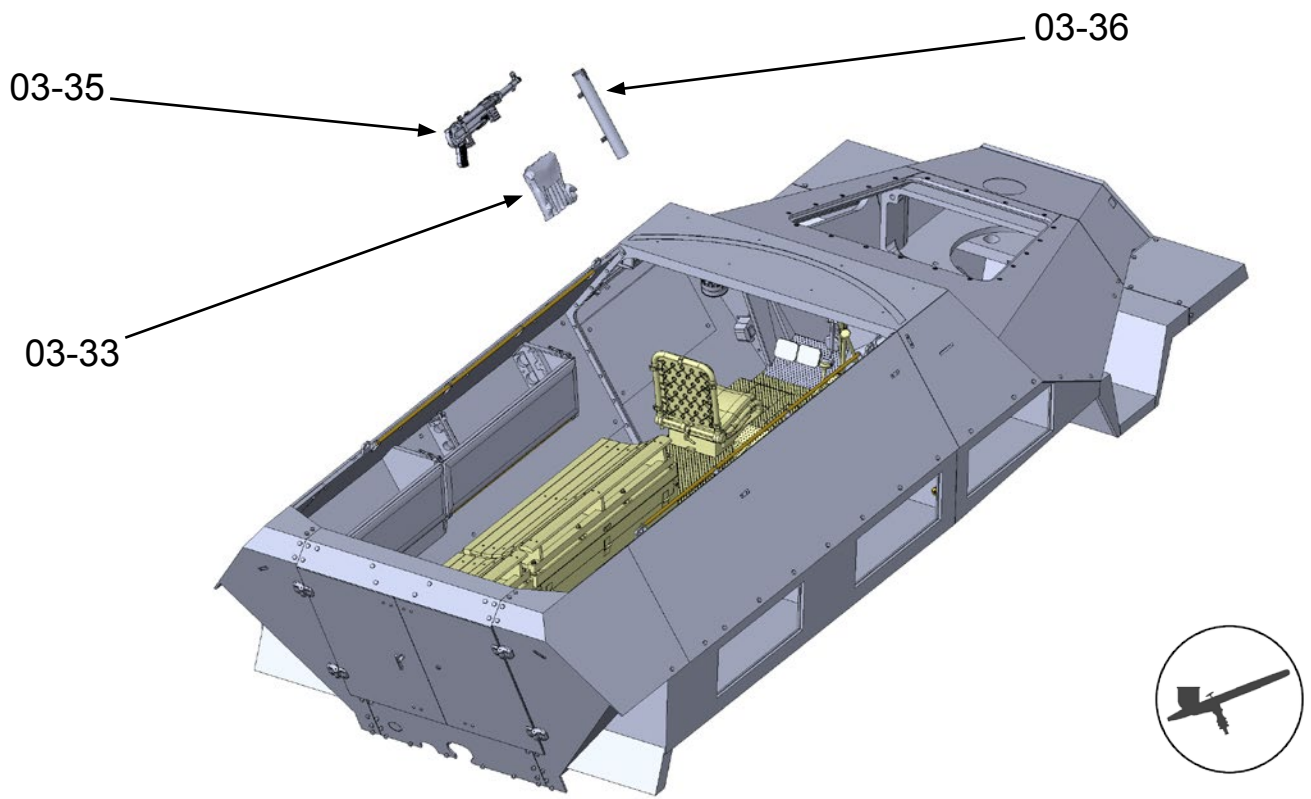
Glue parts 03-32A and 03-32B together.
It is best to glue them in the position shown in the middle picture.



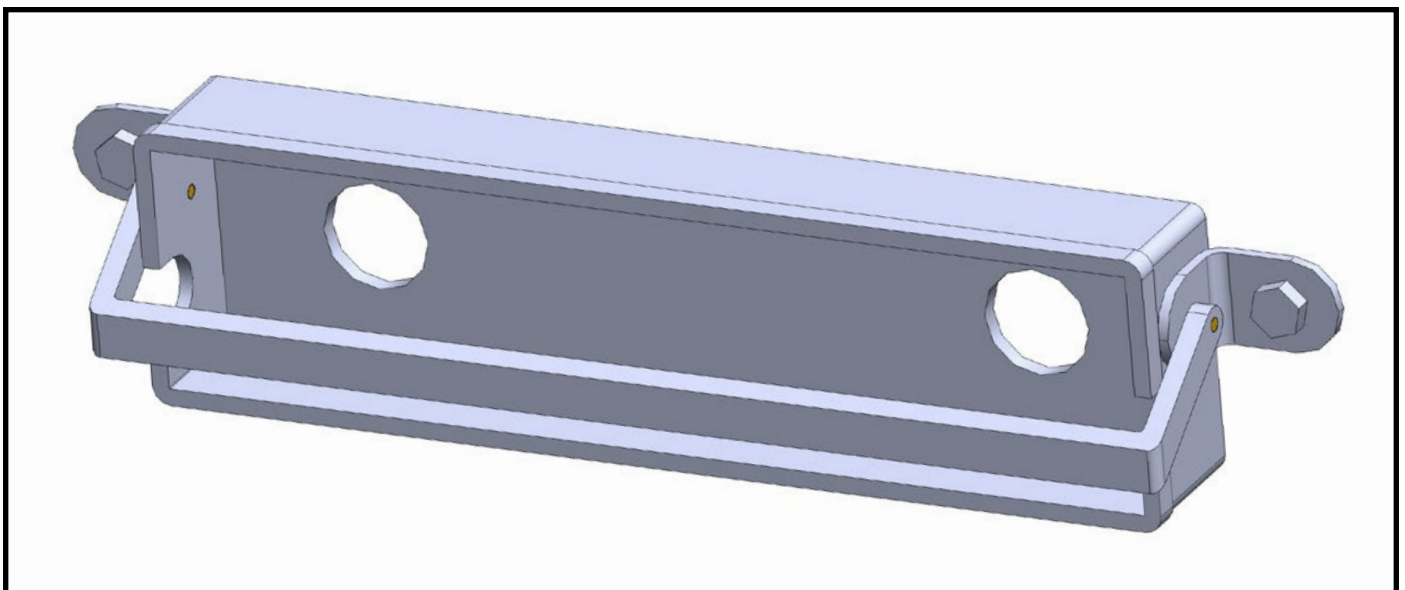
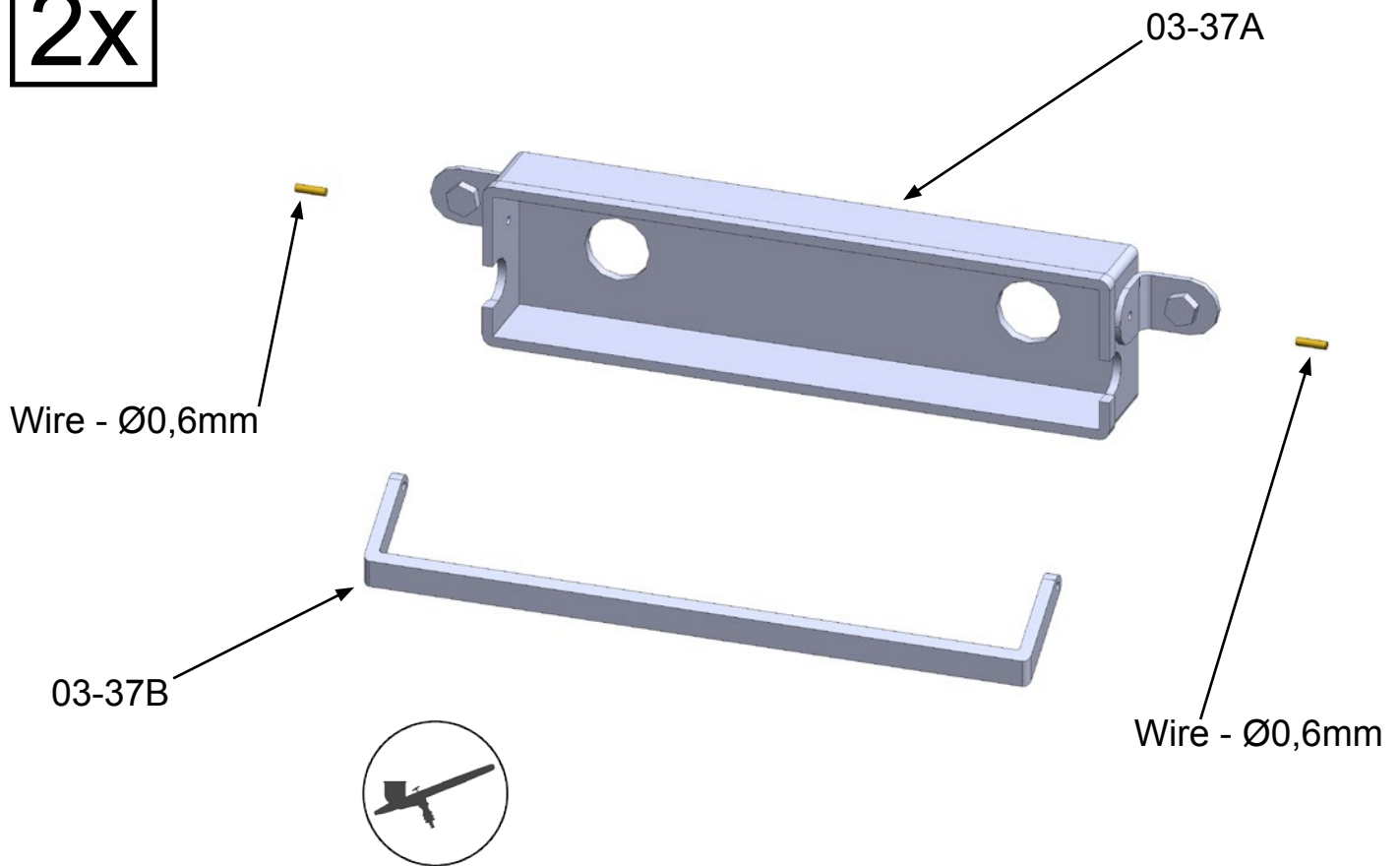
Glue assembly 03-32 into assembly 03-09.



Paint parts 03-33 and 03-34 and glue them into assembly 03-09.

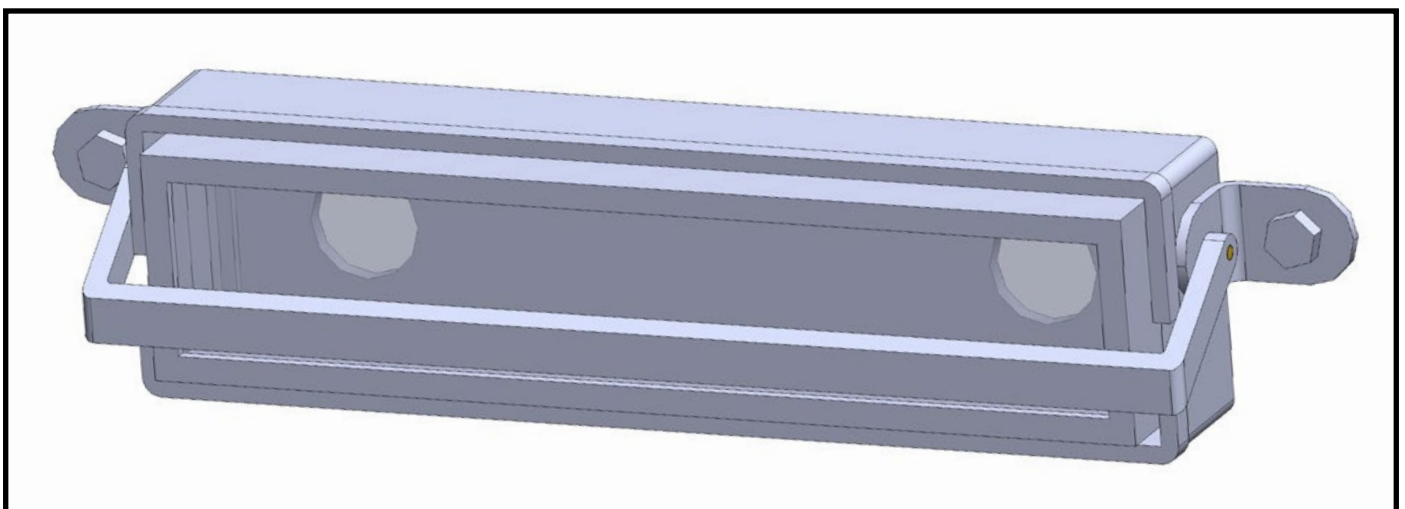
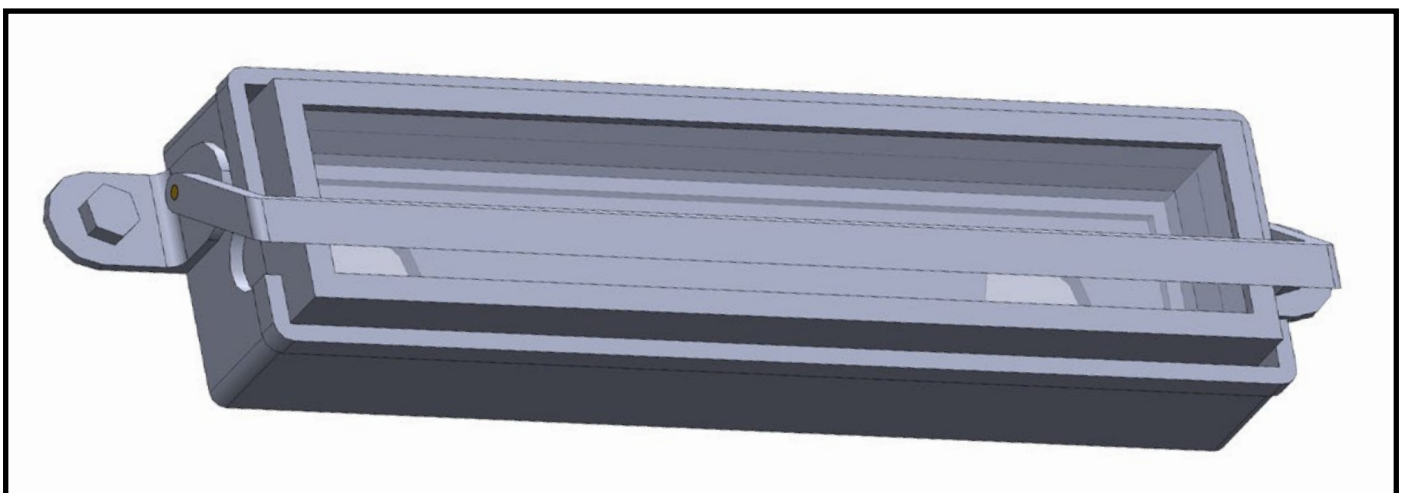
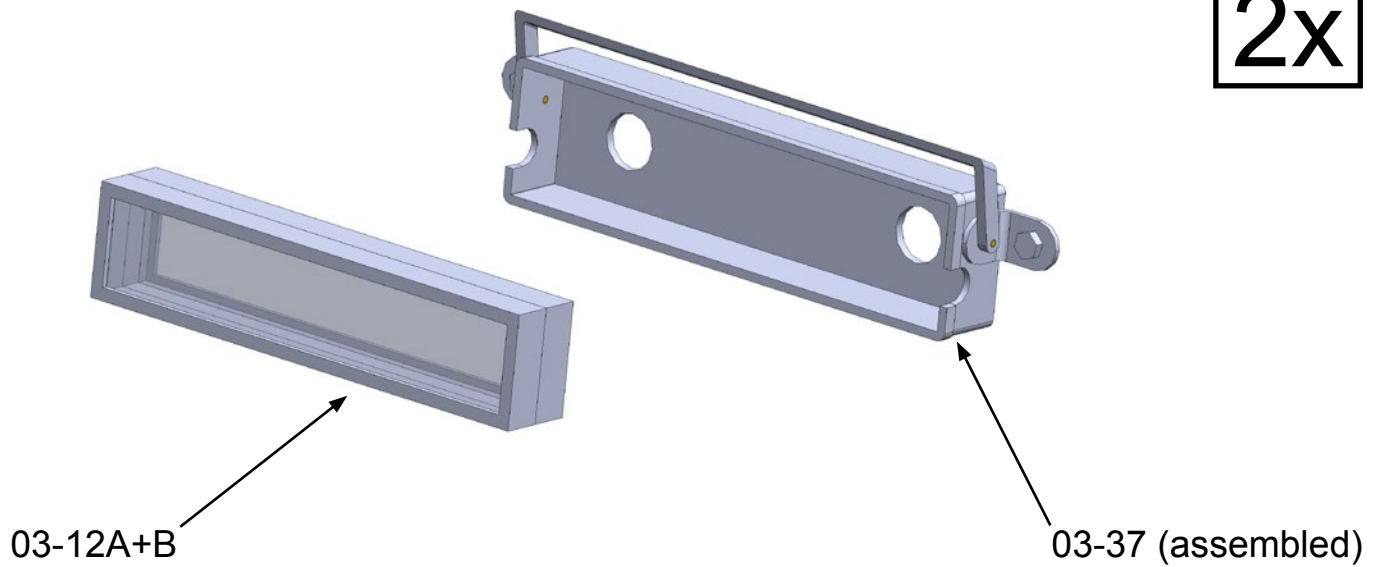


Paint parts 03-33, 03-35 and 03-36 and glue them into assembly 03-09.

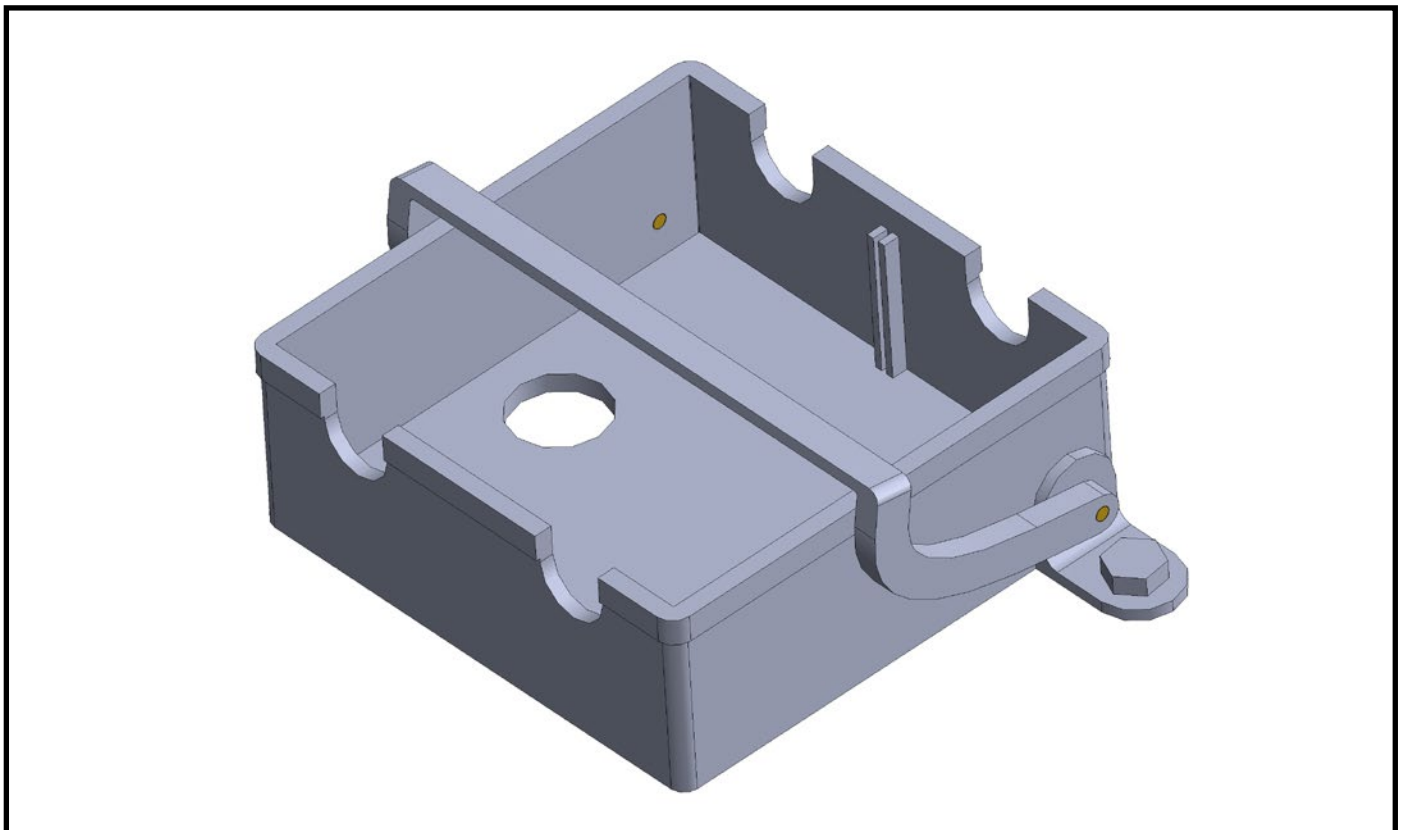
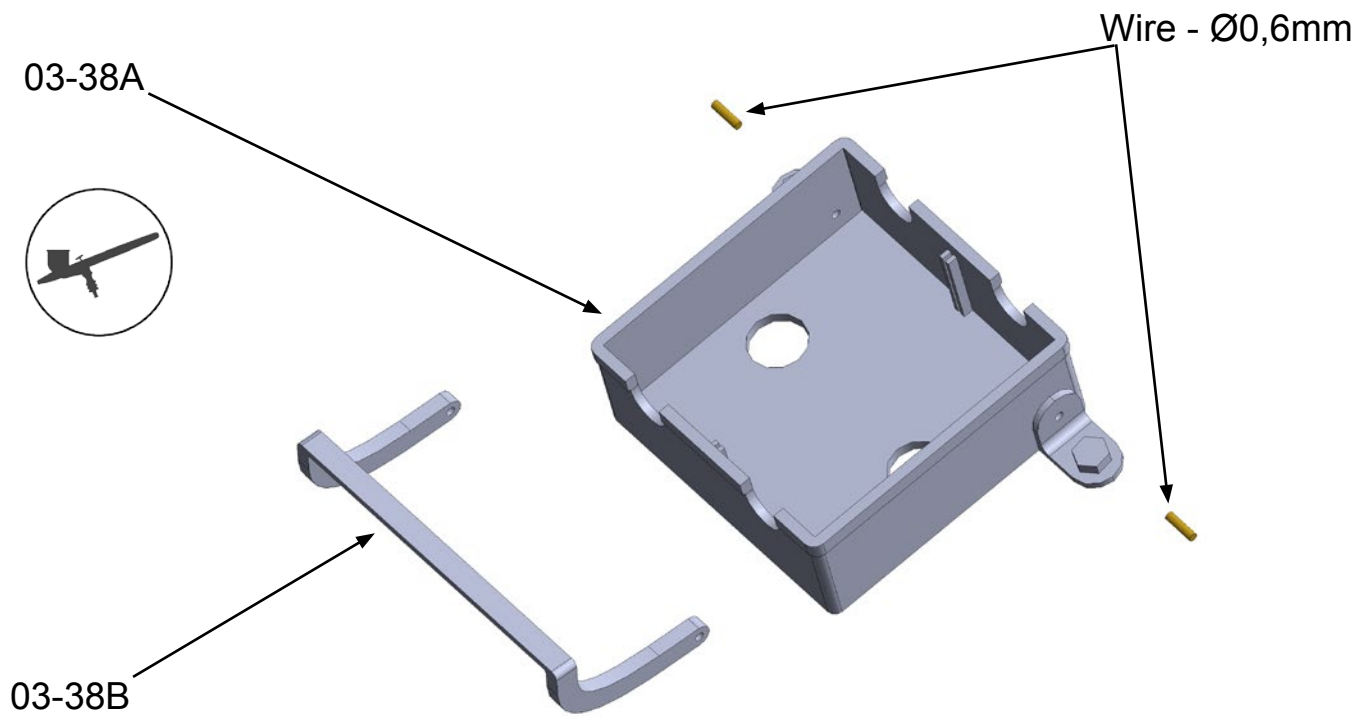
2x

Connect parts 03-37A and 03-37B using 0,6 mm diameter wire.
Secure the wire in part 03-37B using superglue. Repeat twice.
Paint all parts after this step.

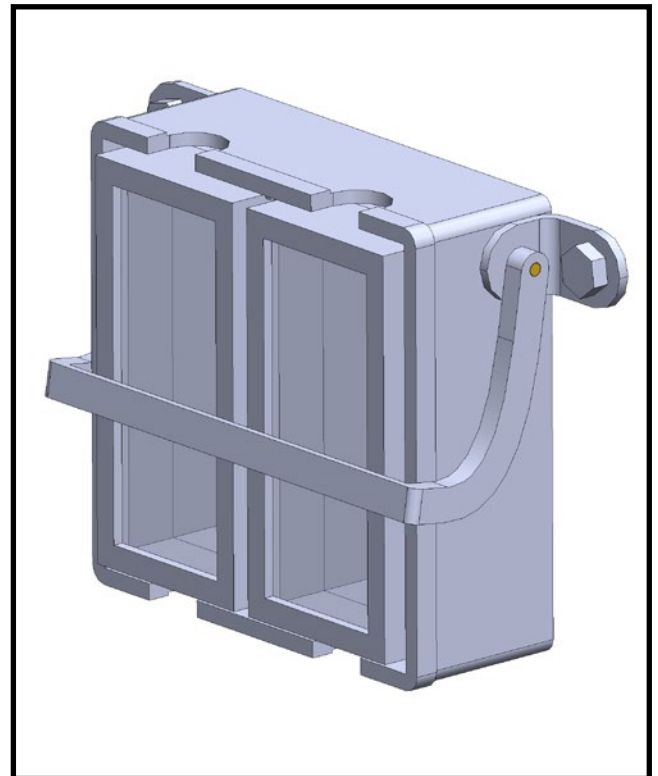
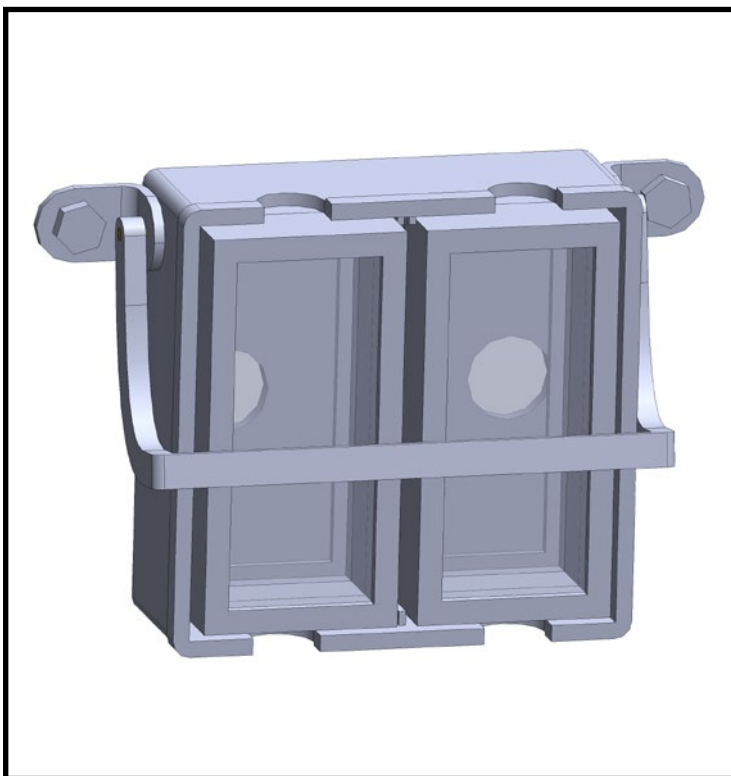
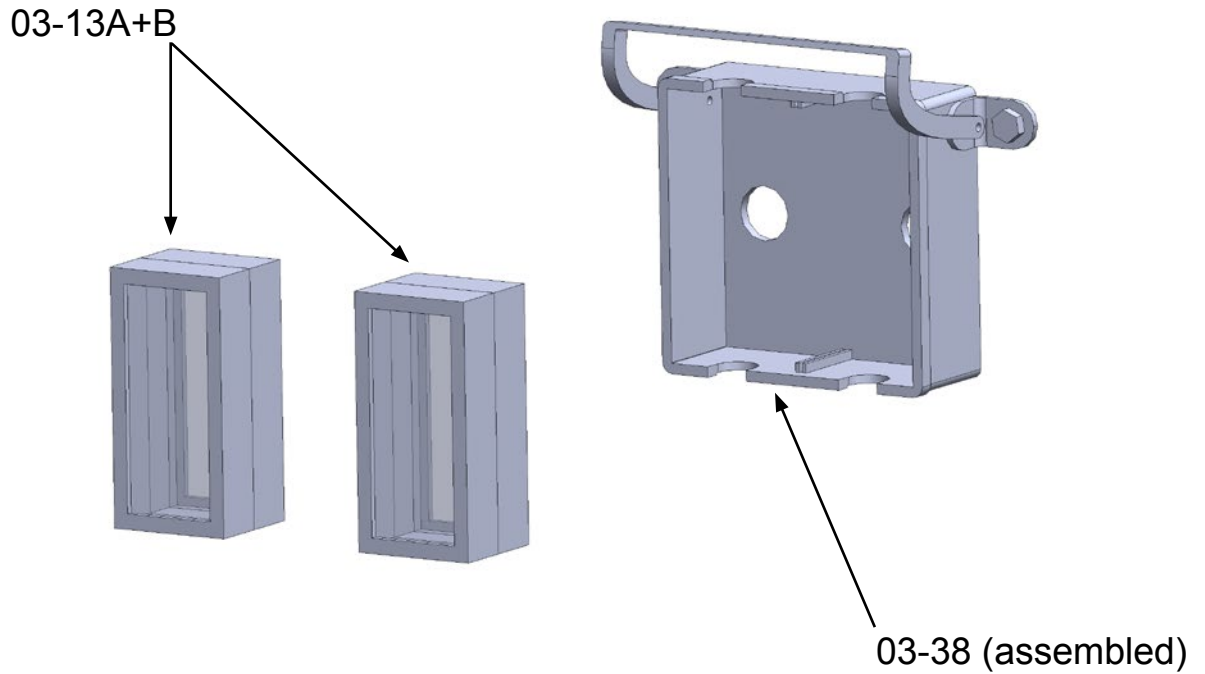
2x



Insert two assemblies of parts 03-12 into assembly 03-37. Repeat twice.
Do not glue the parts together.

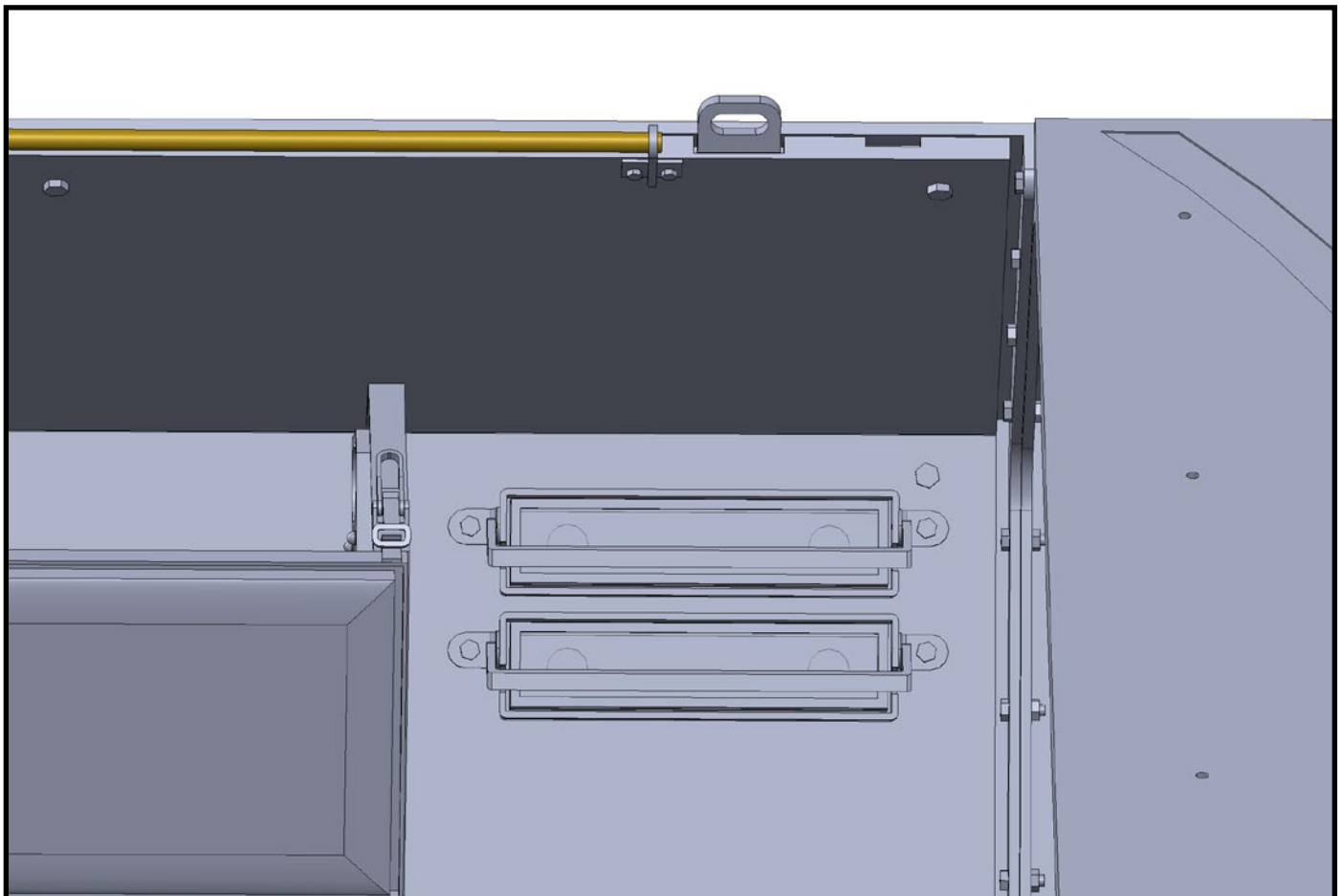
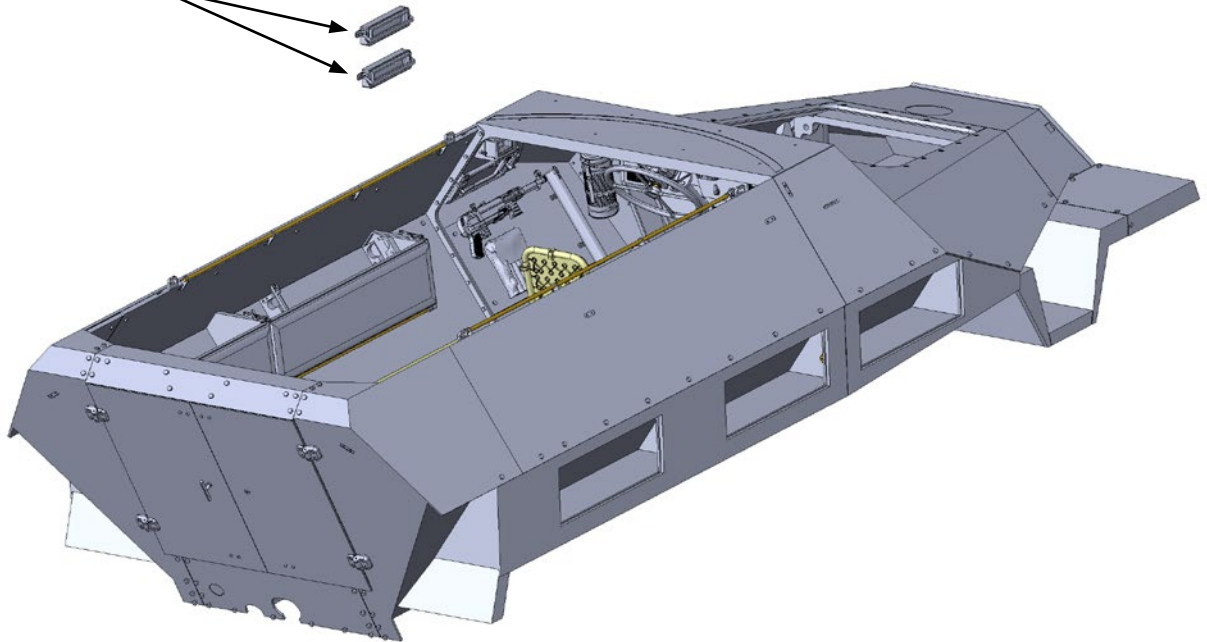


Connect parts 03-38A and 03-38B using 0,6 mm diameter wire.
Secure the wire in part 03-38B using superglue.
Paint all parts after this step.

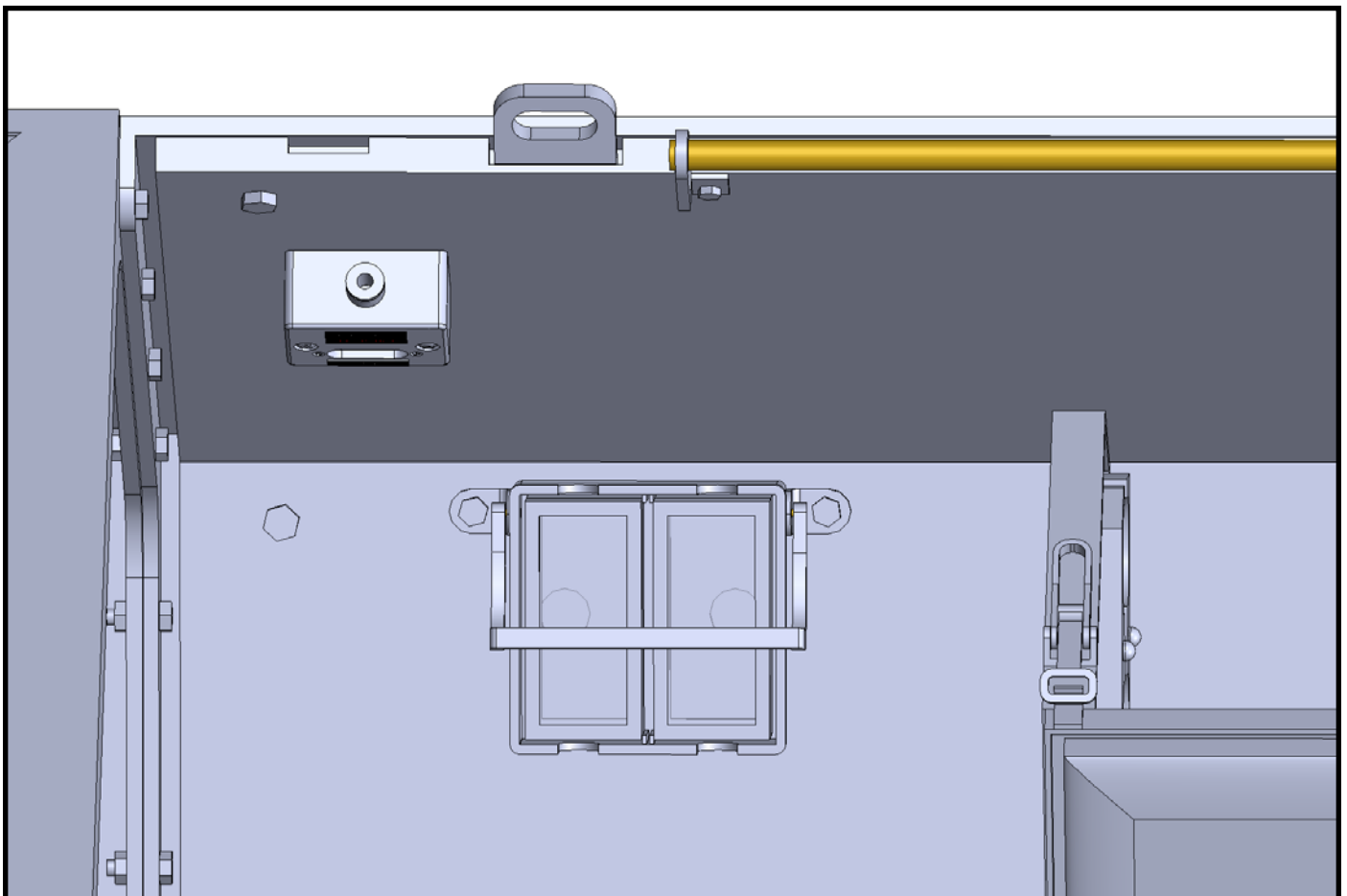
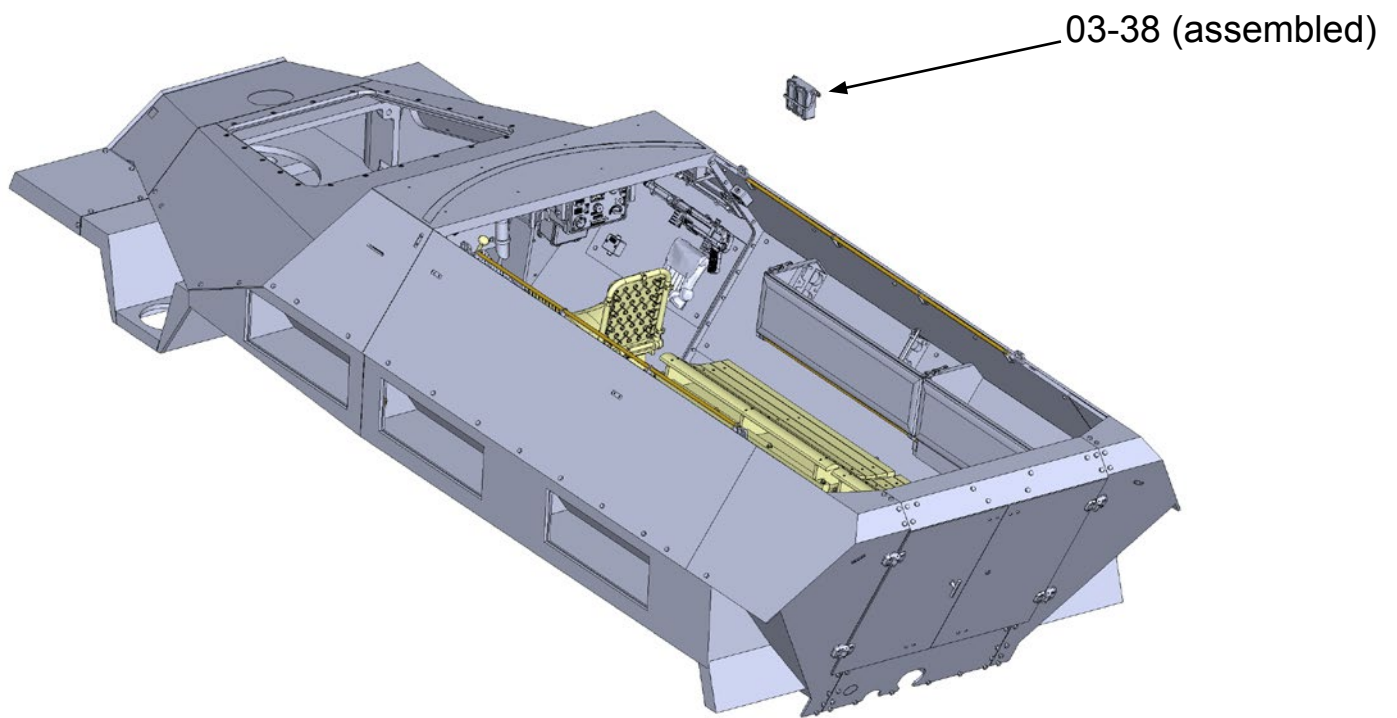


Insert two assemblies of parts 03-13 into assembly 03-38.
Do not glue the parts together.

03-37 (assembled)

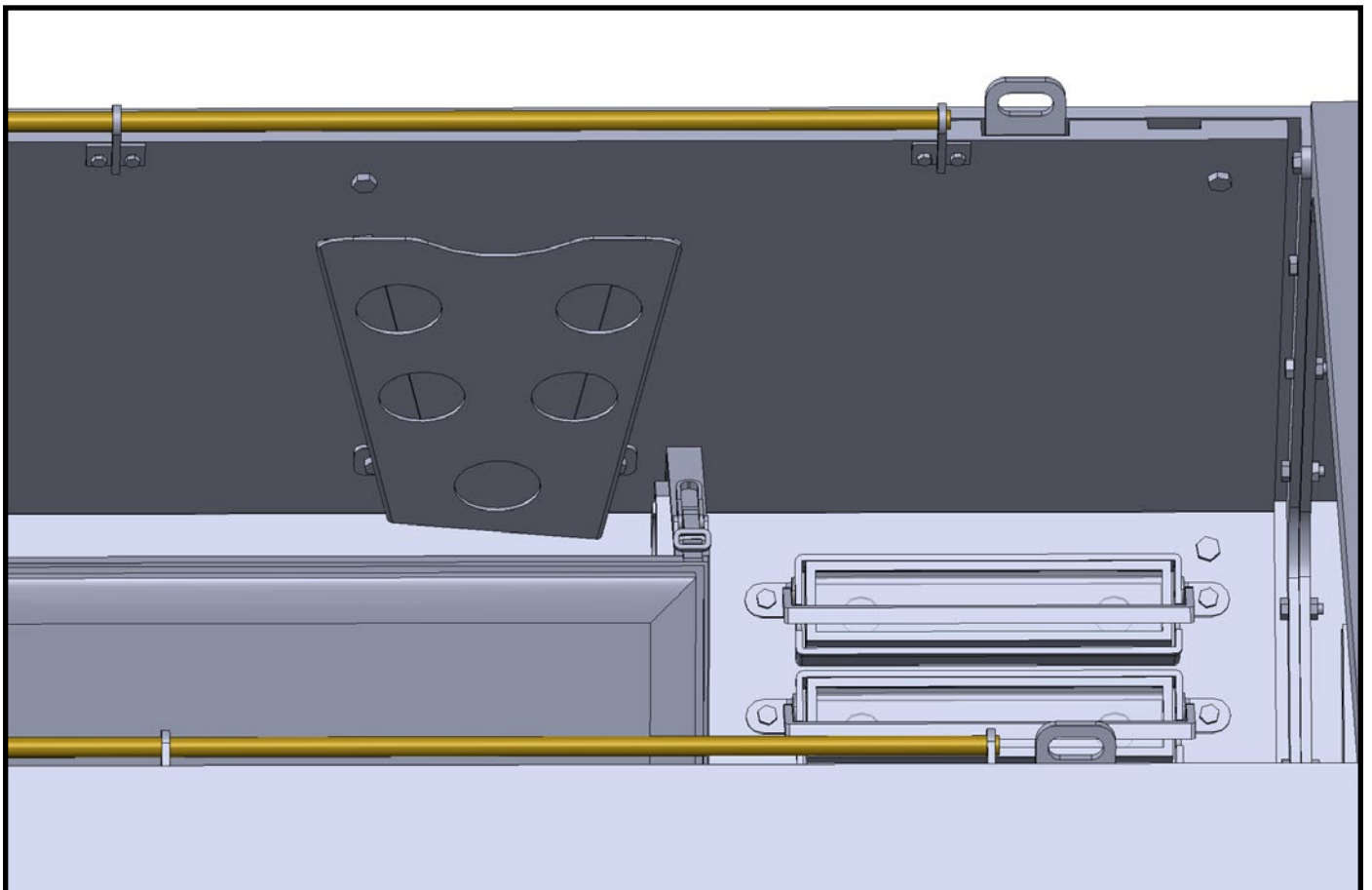
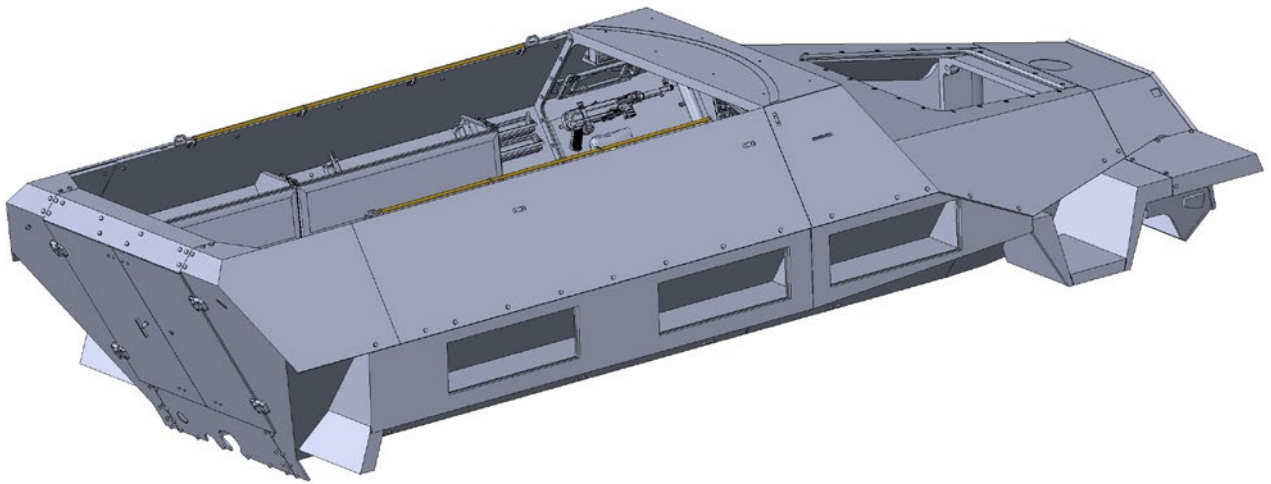
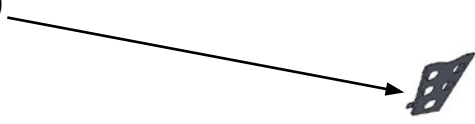


Glue two assemblies 03-37 into assembly 03-21.

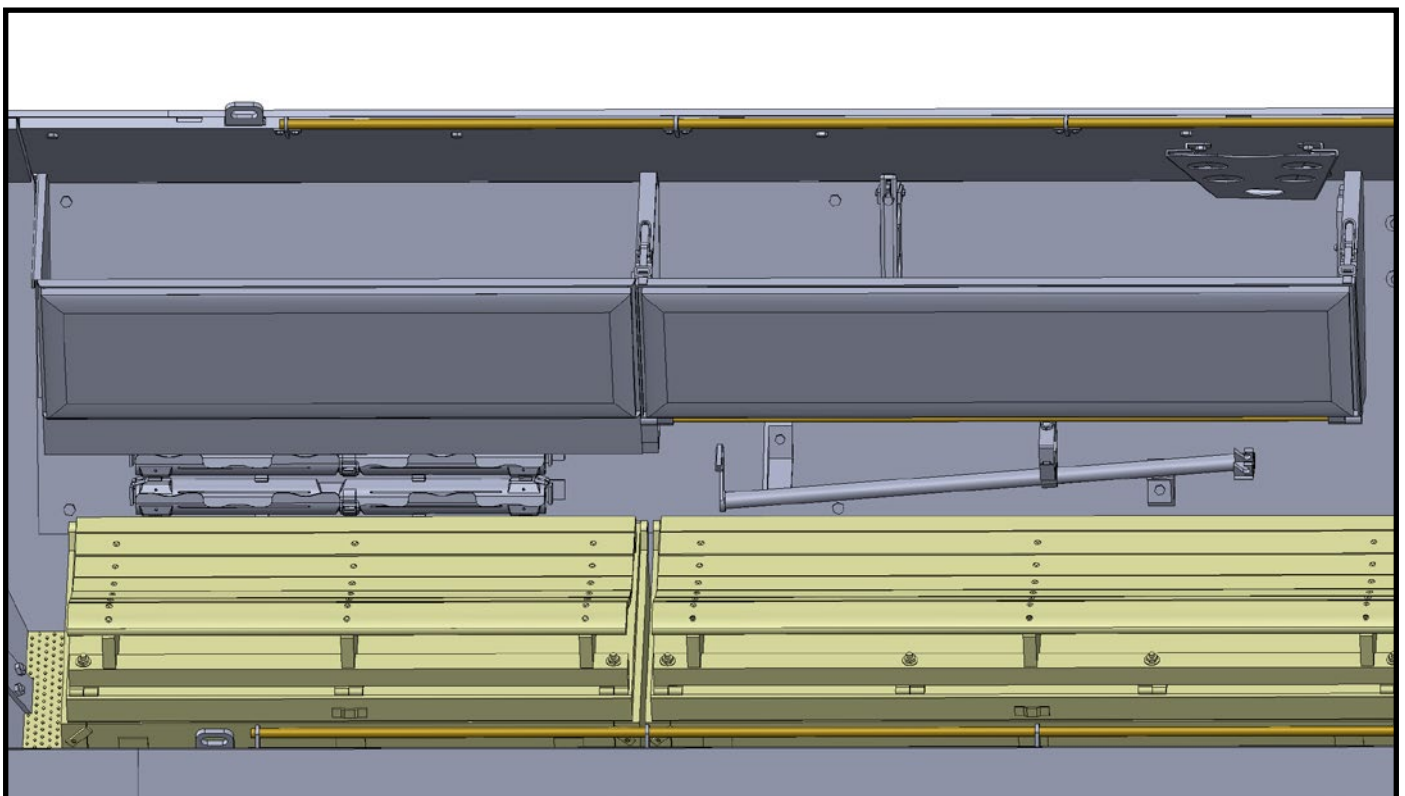
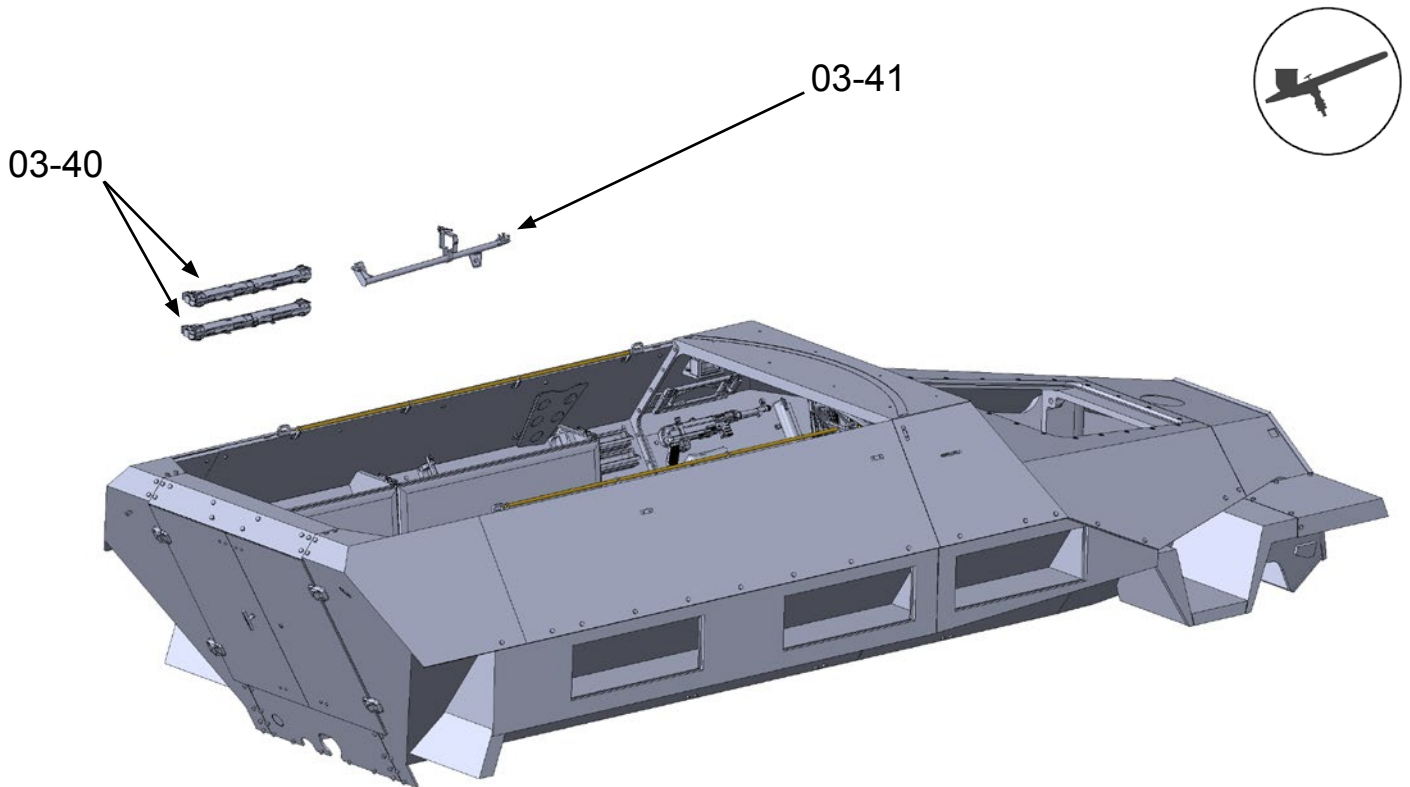


Glue assembly 03-38 into assembly 03-21.

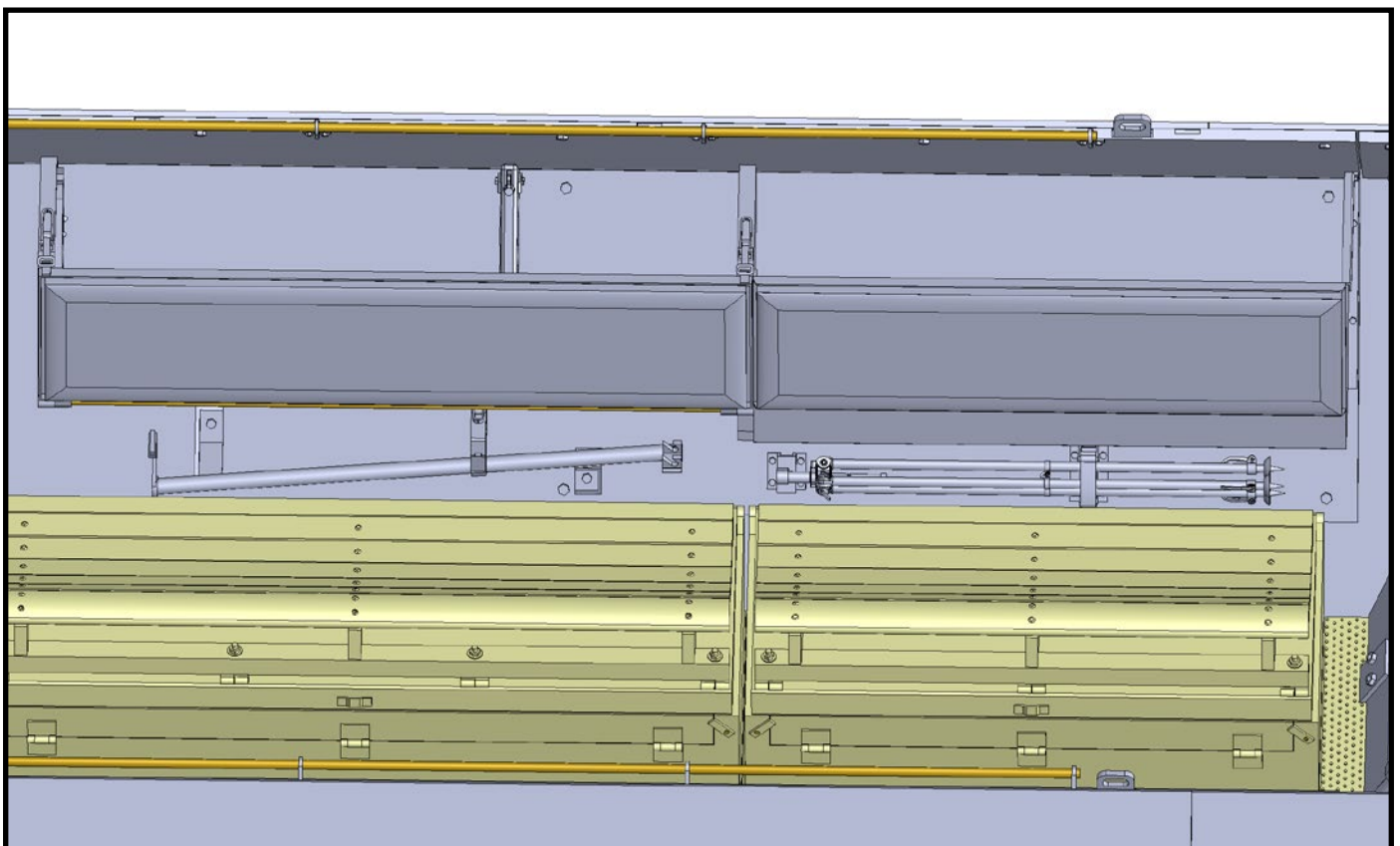
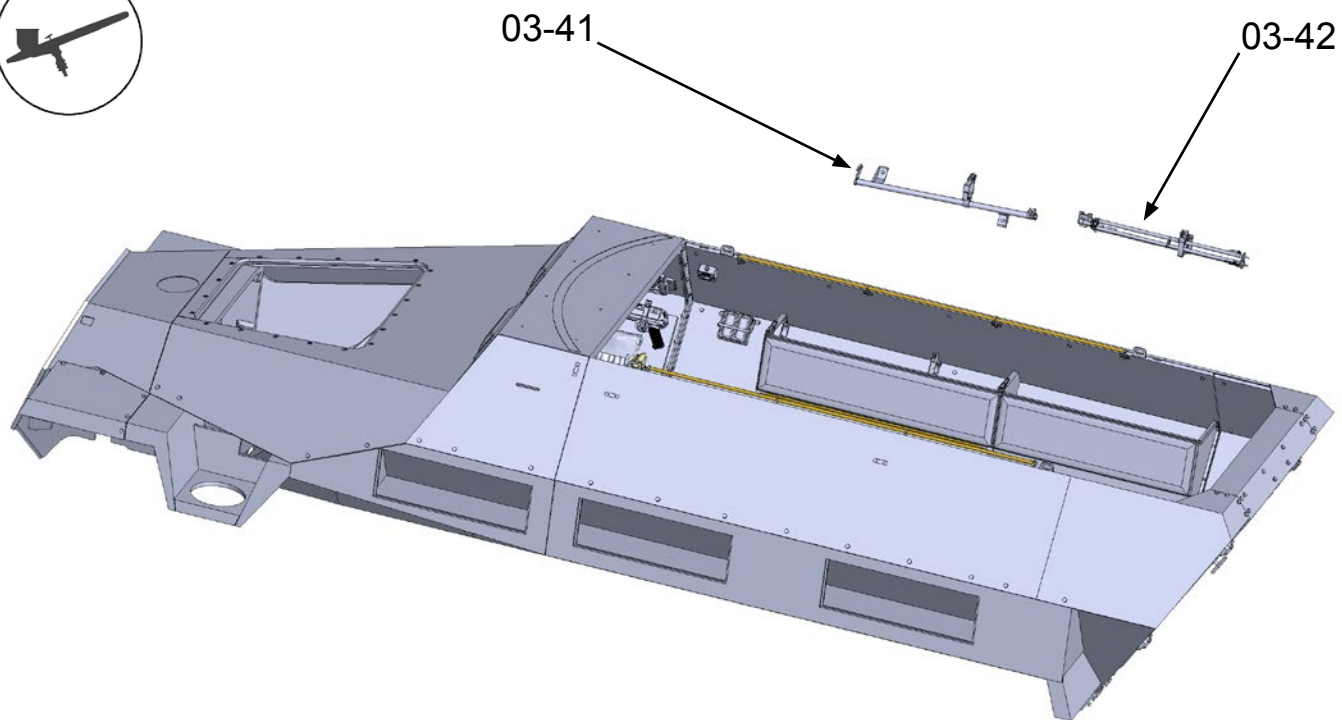
03-39



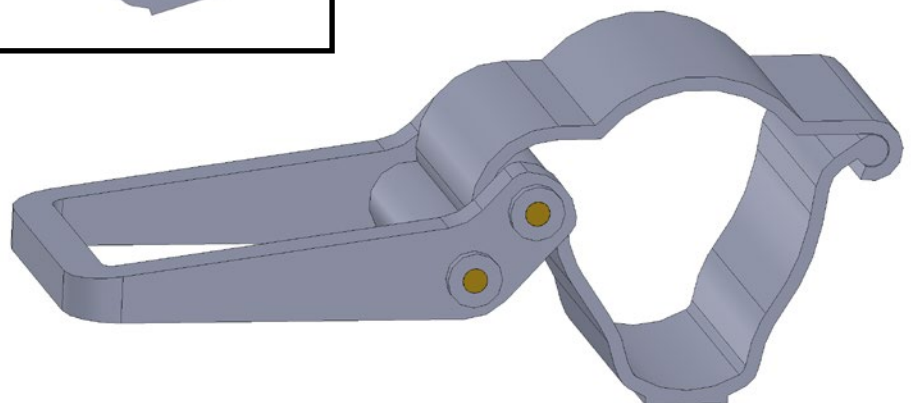
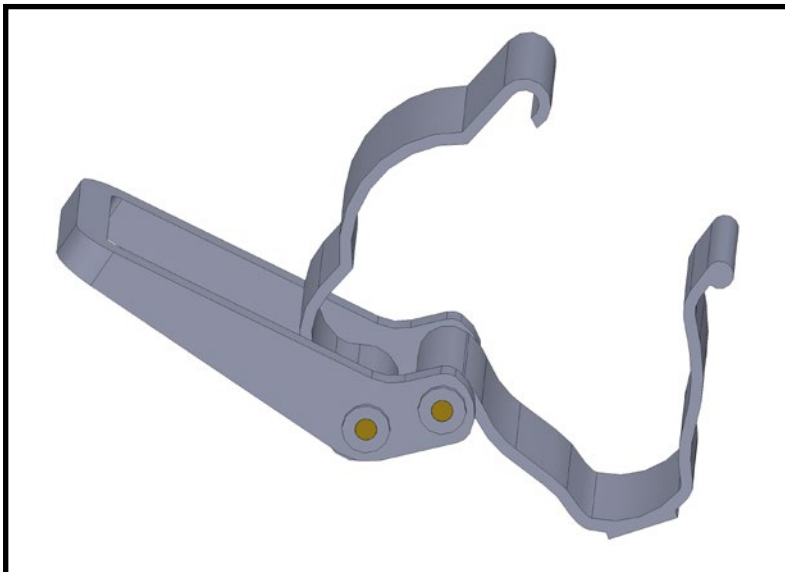
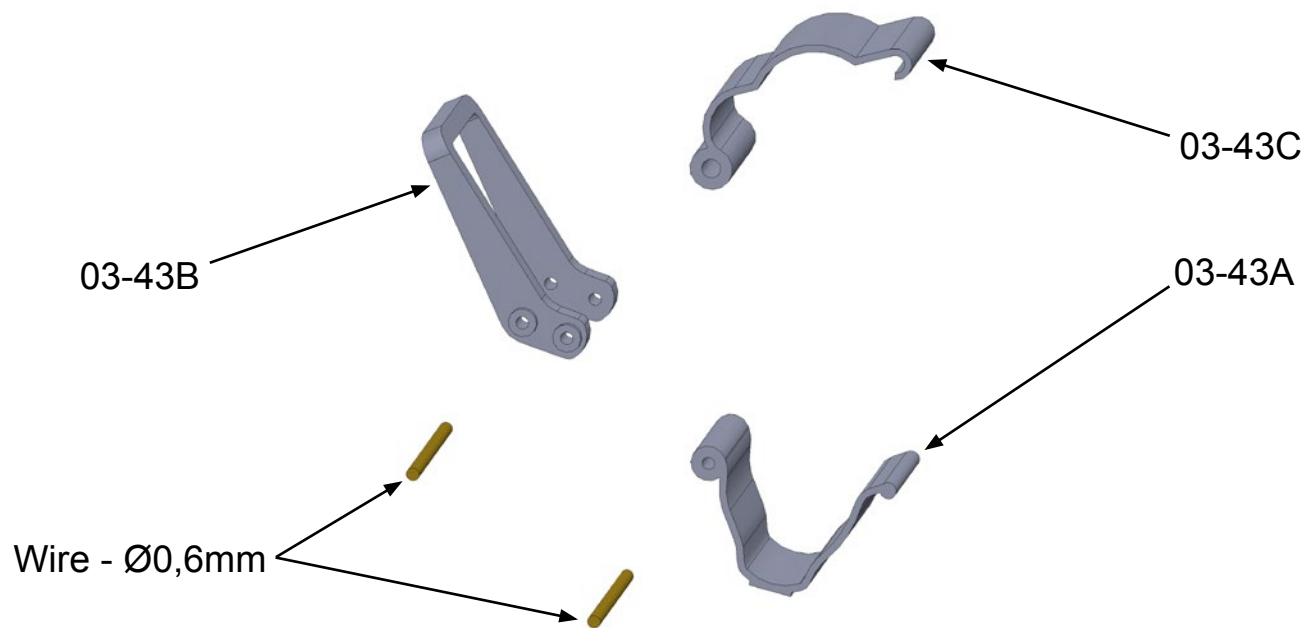
Paint part 03-39. Then glue it into assembly 03-21.



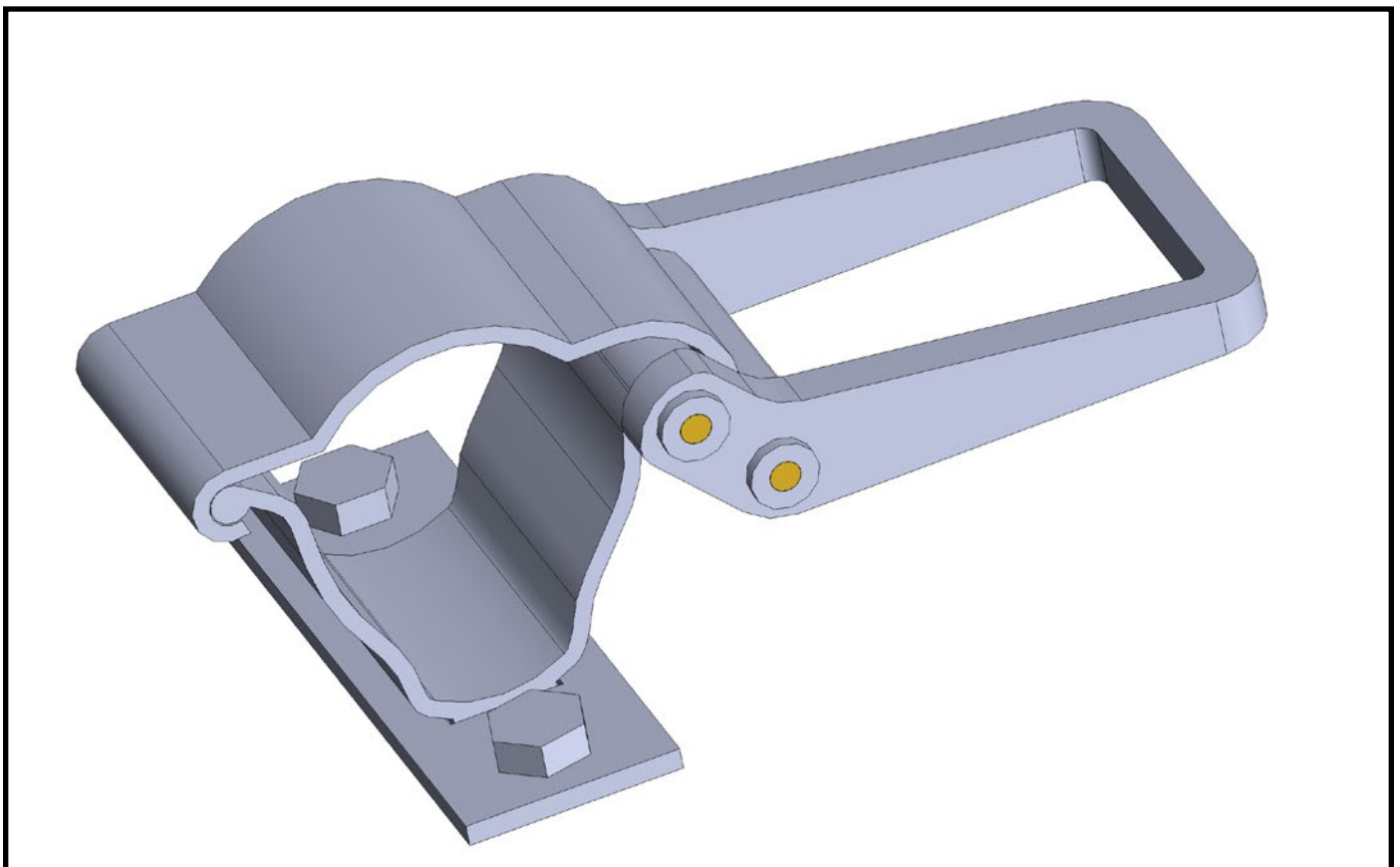
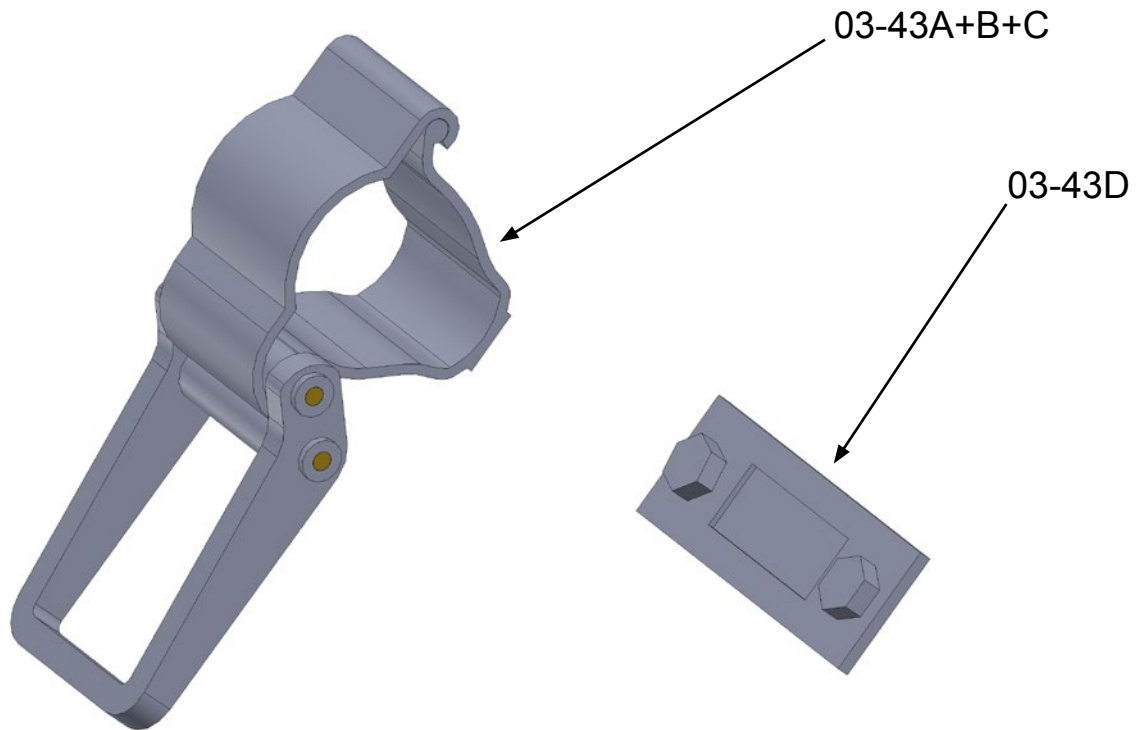
Paint parts 03-40 and 03-41. Then glue them into assembly 03-21.



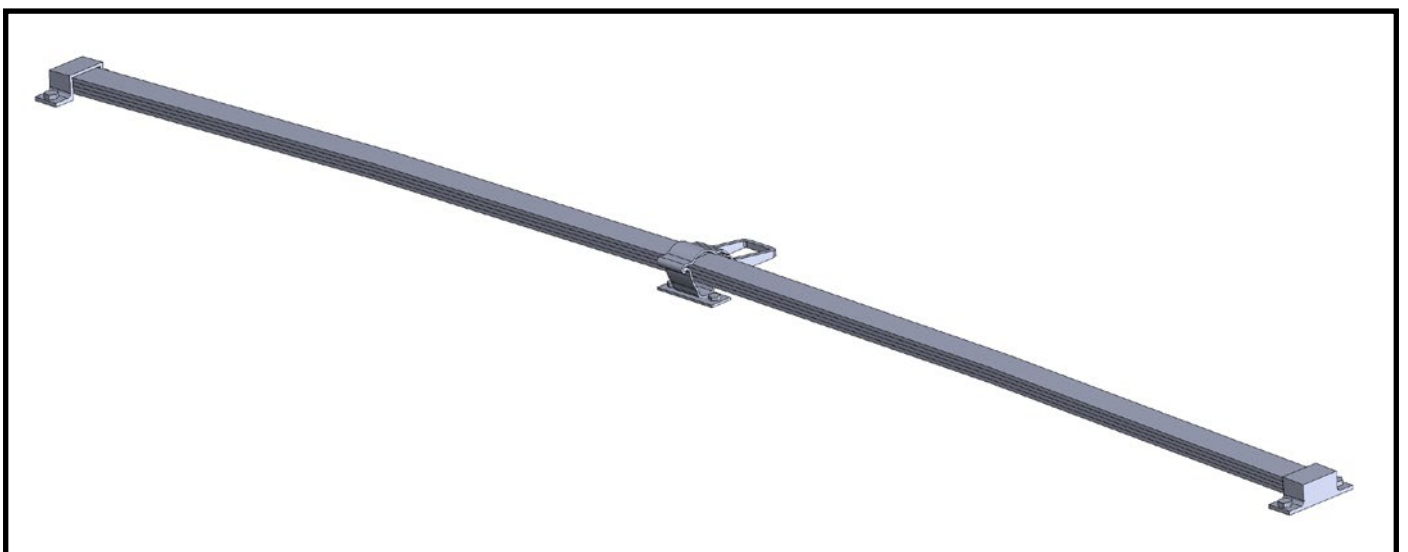
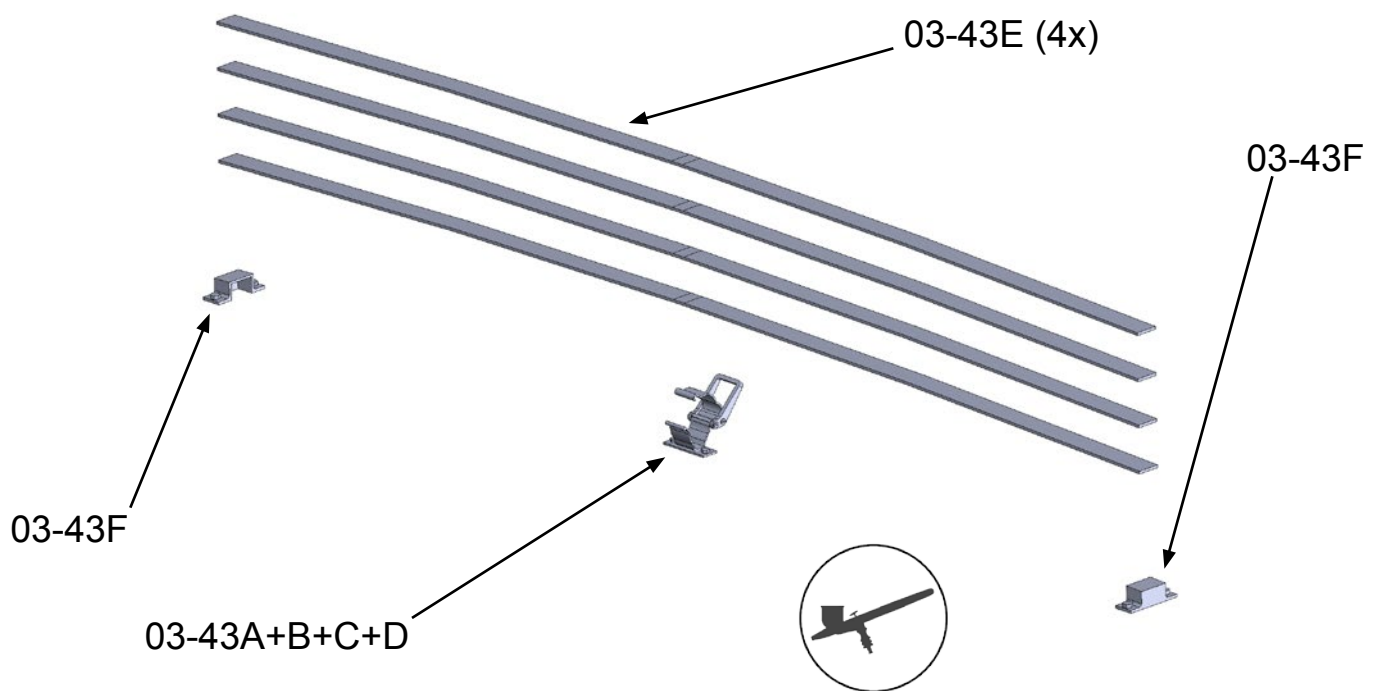
Paint parts 03-41 and 03-42. Then glue them into assembly 03-21.



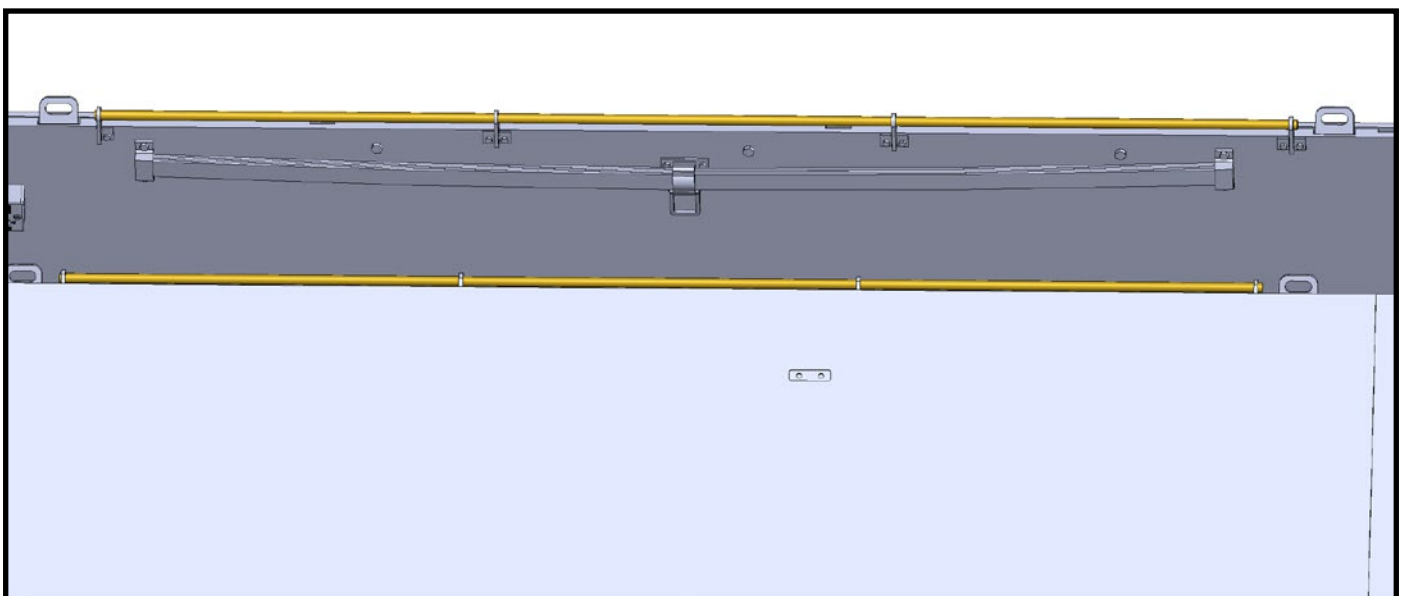
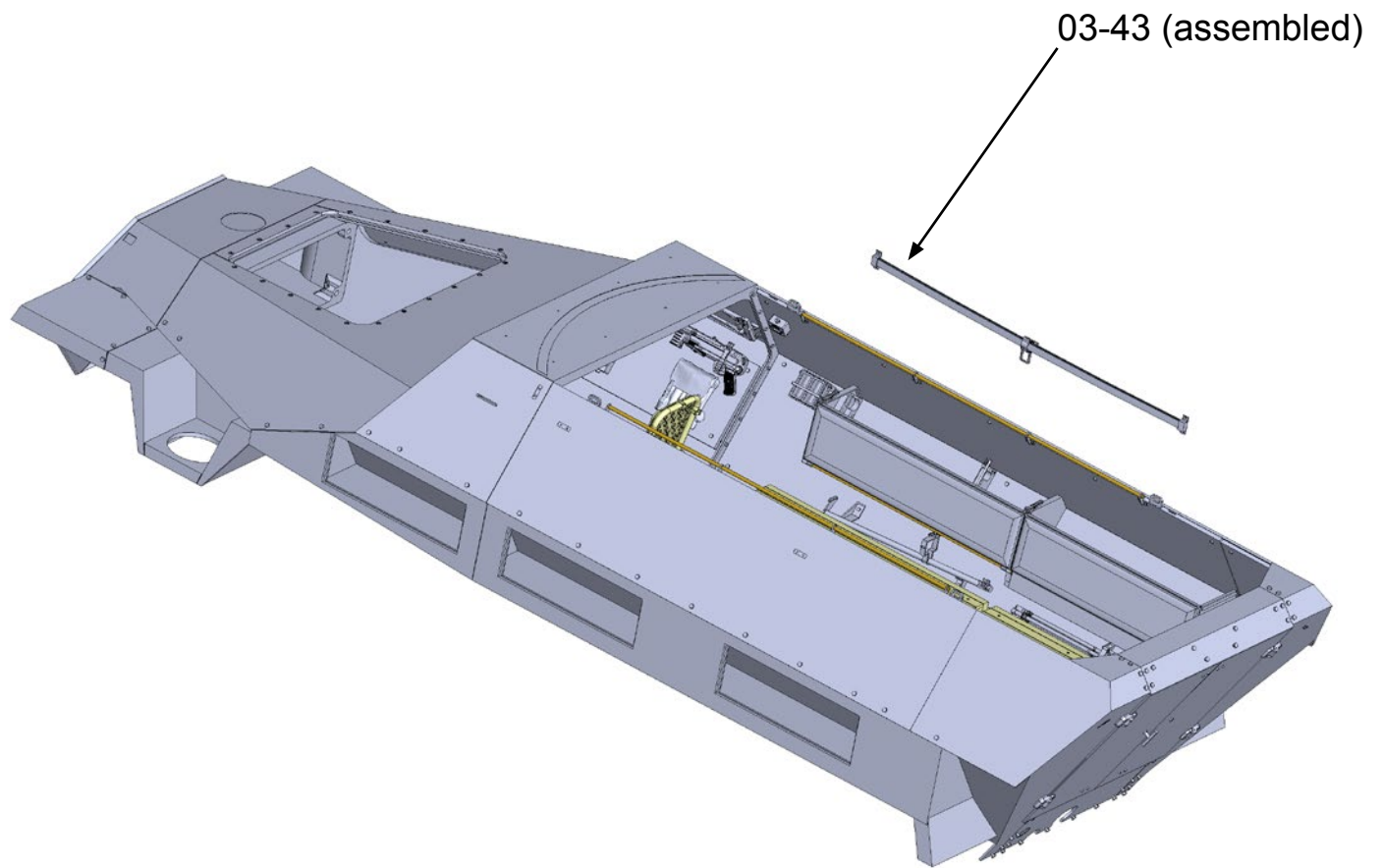
Connect parts 03-43A, 03-43B and 03-43C using 0.6 mm diameter wire. Secure the wire with a drop of glue on part 03-43B to prevent it from falling out.



Check that the clamp is working and everything is moving.
Then glue part 03-43D in place.



Paint all parts of assembly 03-43 (in the upper picture).
Never glue these parts from the upper picture together.
Assemble the parts into the configuration shown in the bottom picture.

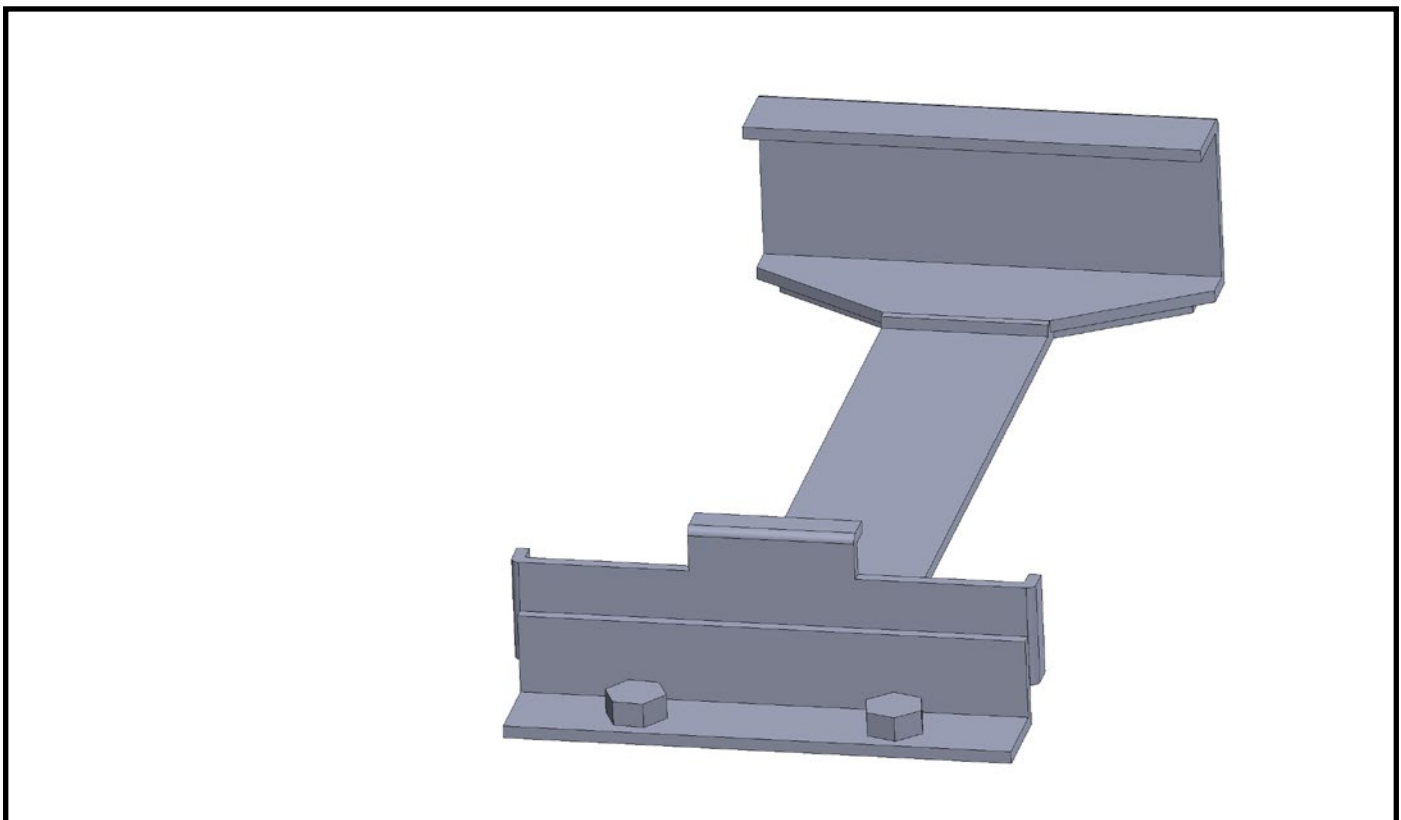
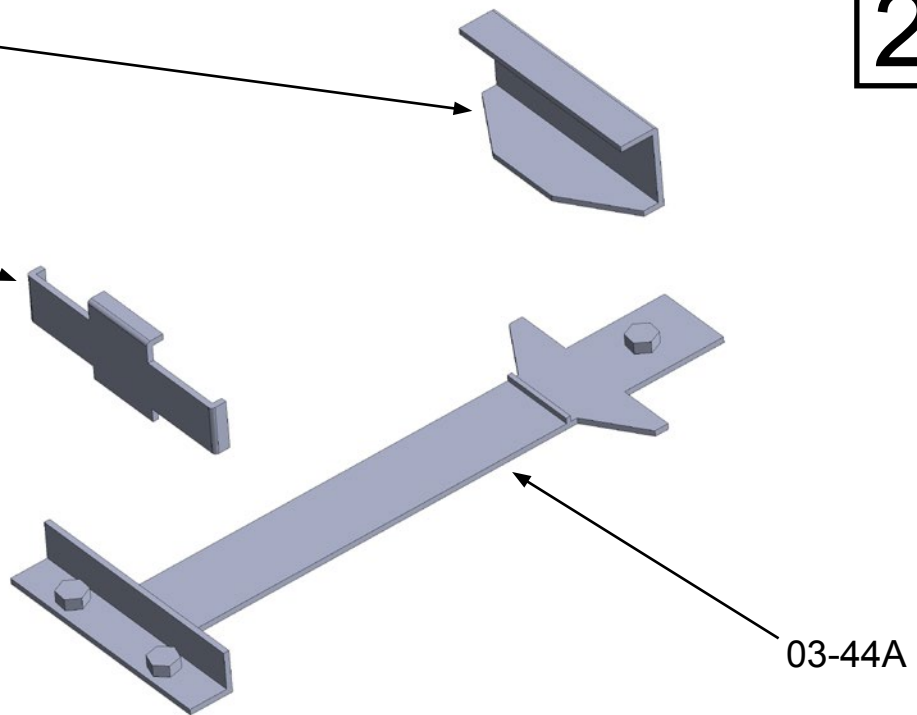


Glue assembly 03-43 to assembly 03-21. Perform a dry fit.
Apply glue only to parts 03-43D and 03-43E !!!

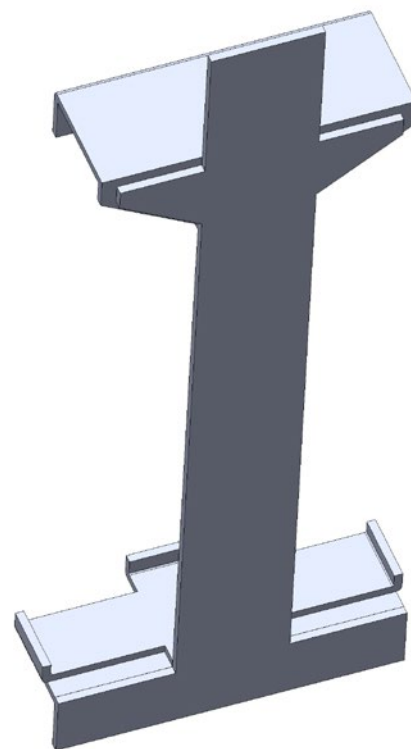
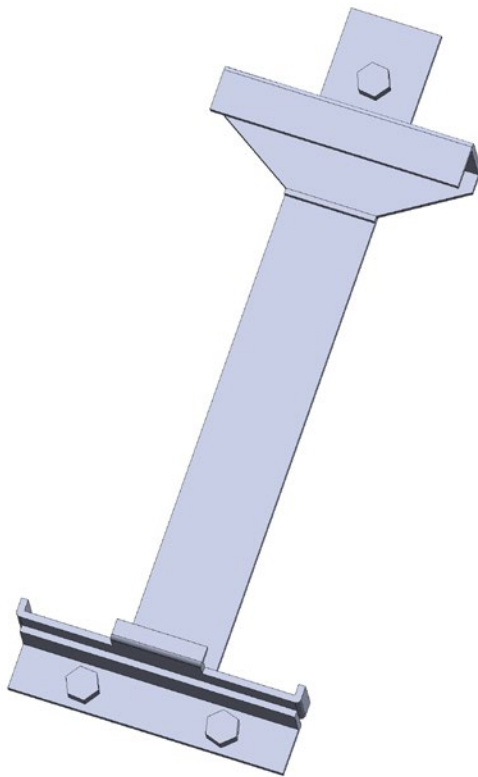
03-44C

03-44B

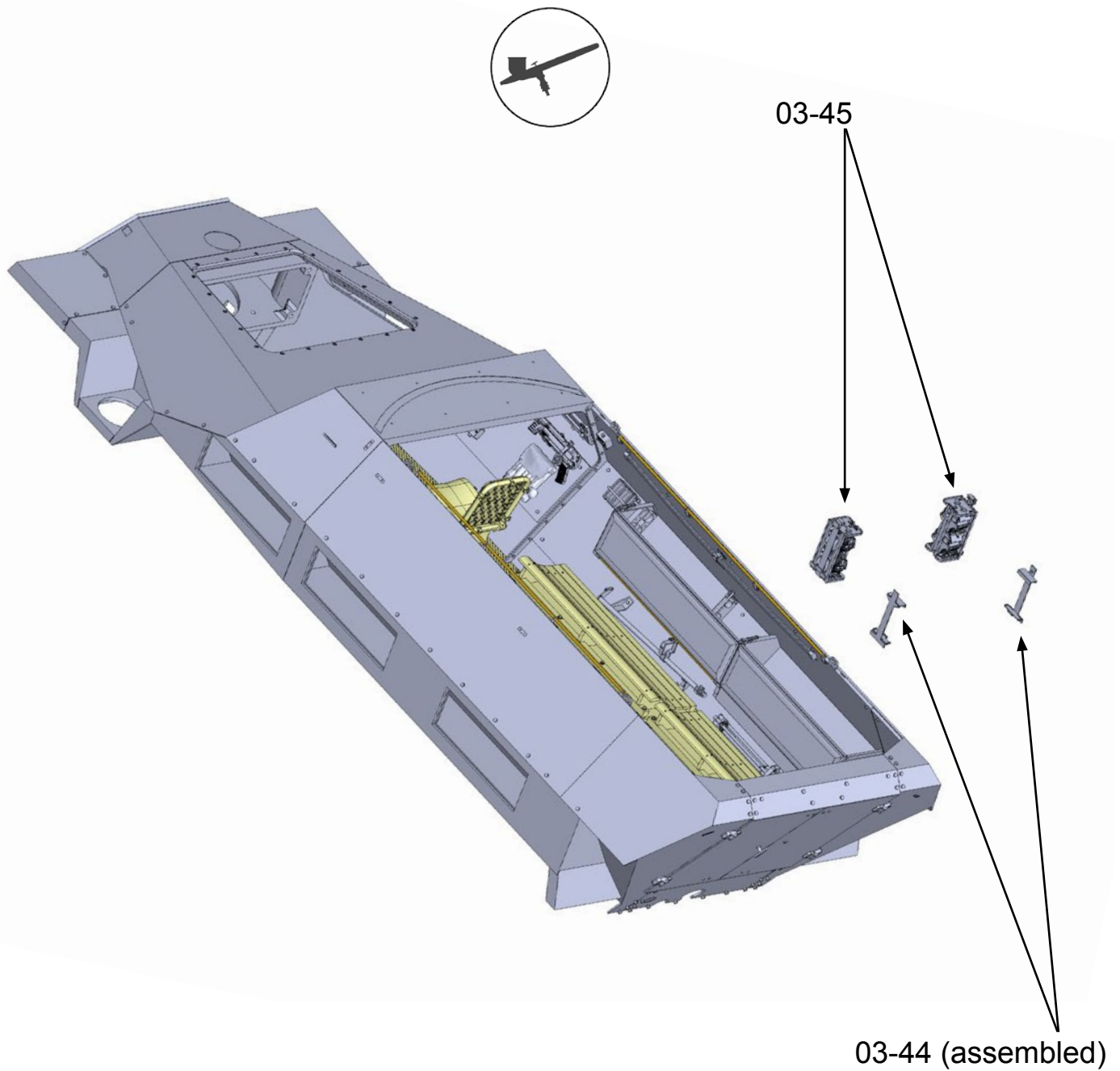
2x



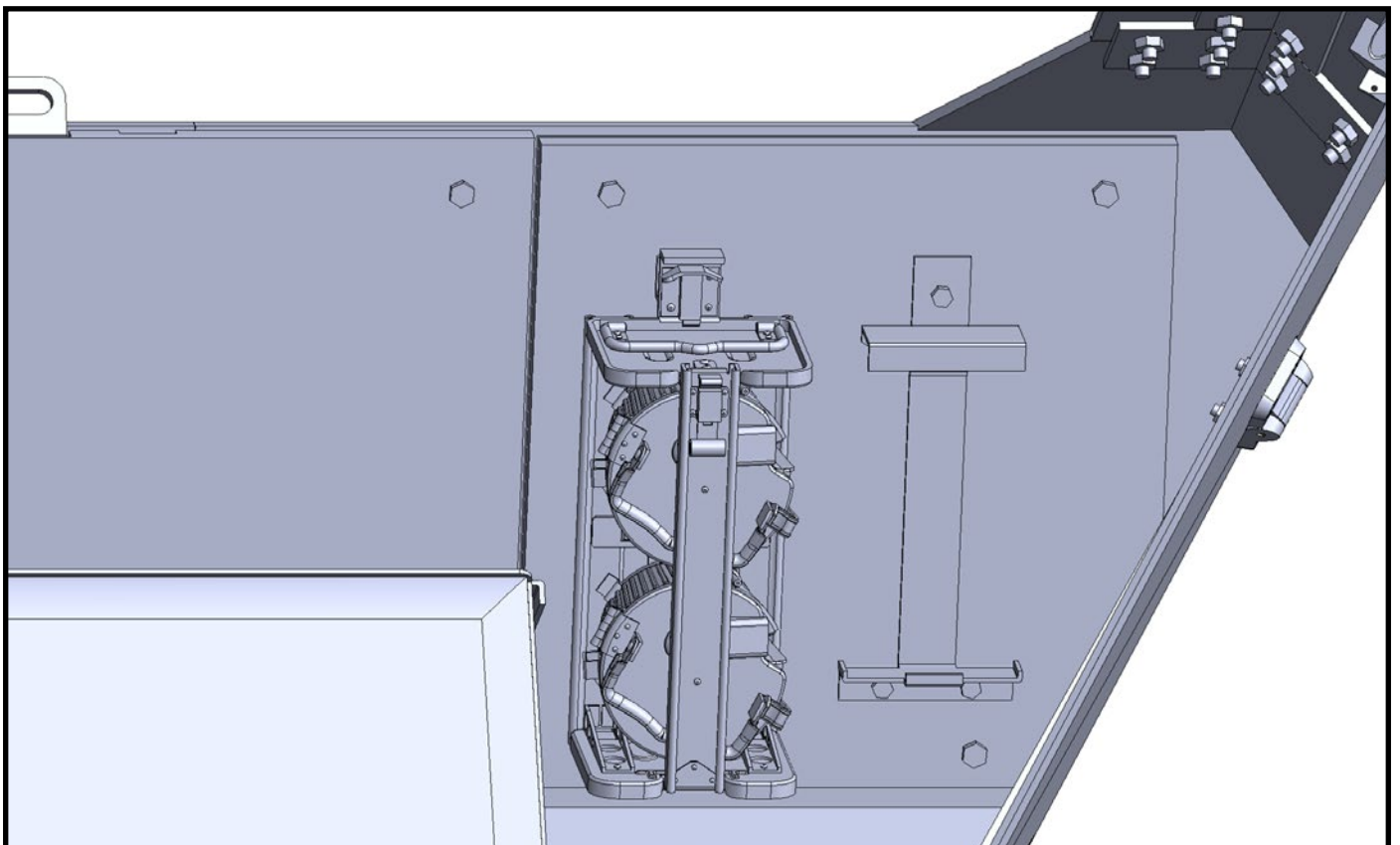
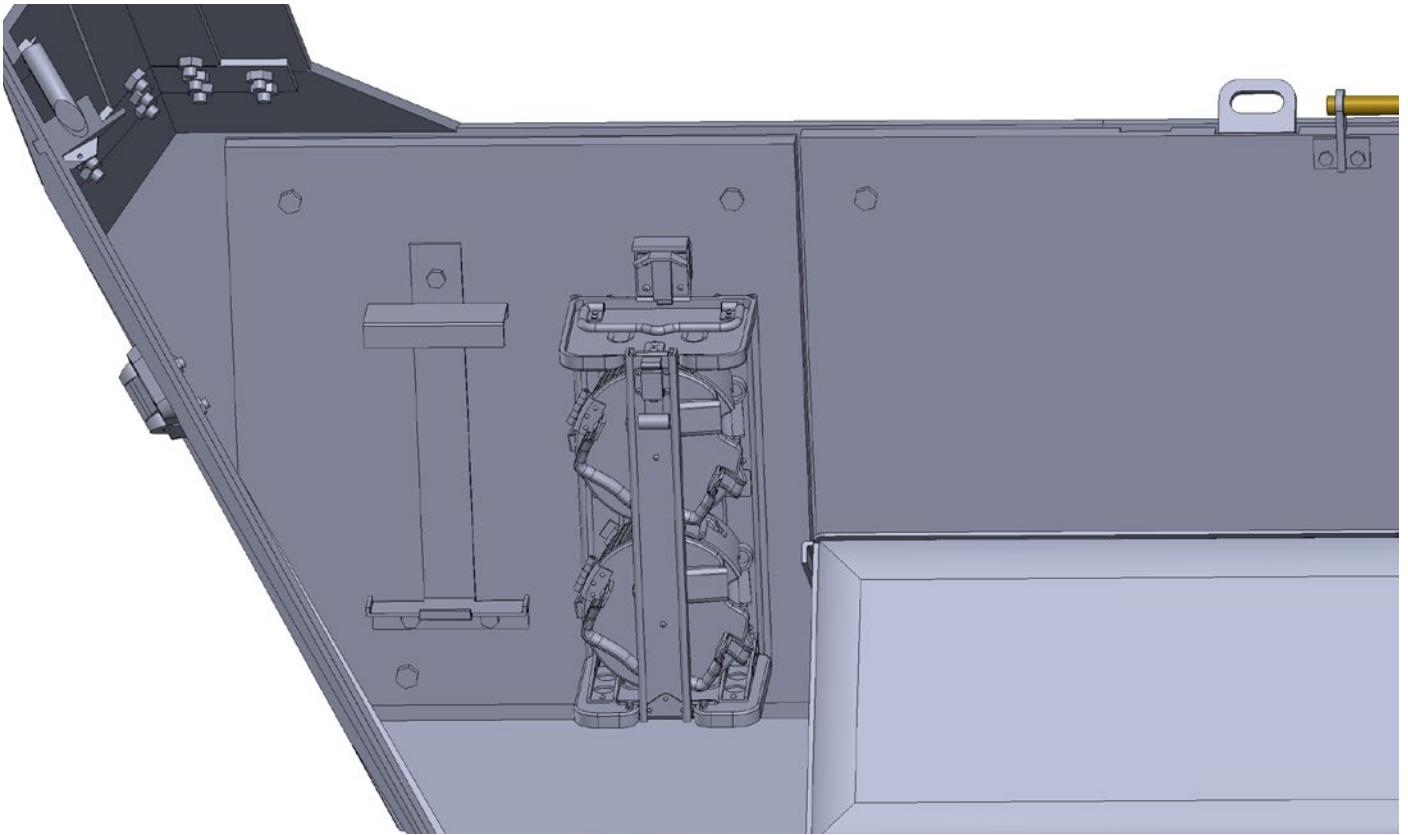
Glue parts 03-44A, 03-44B and 03-44C together. Repeat twice.



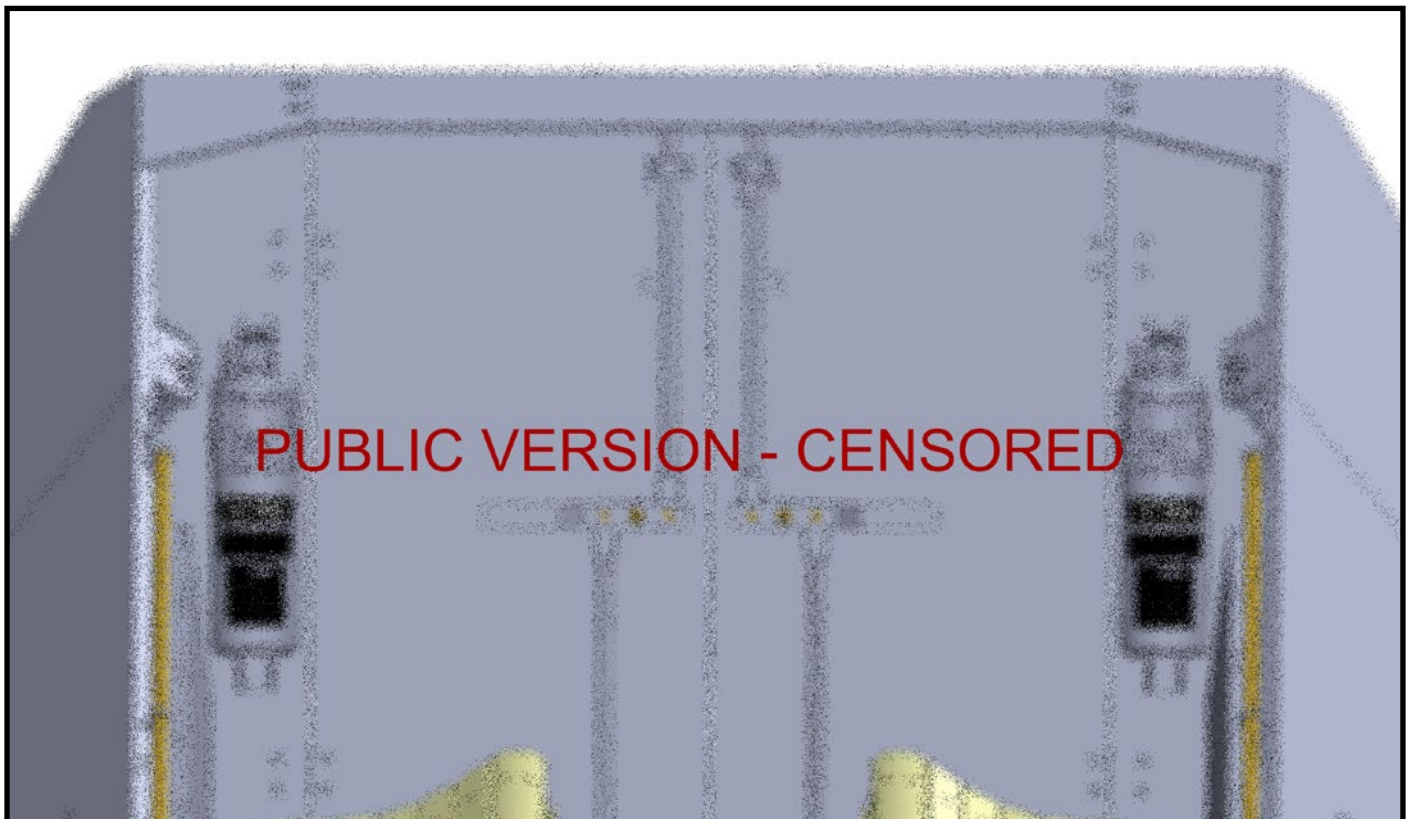
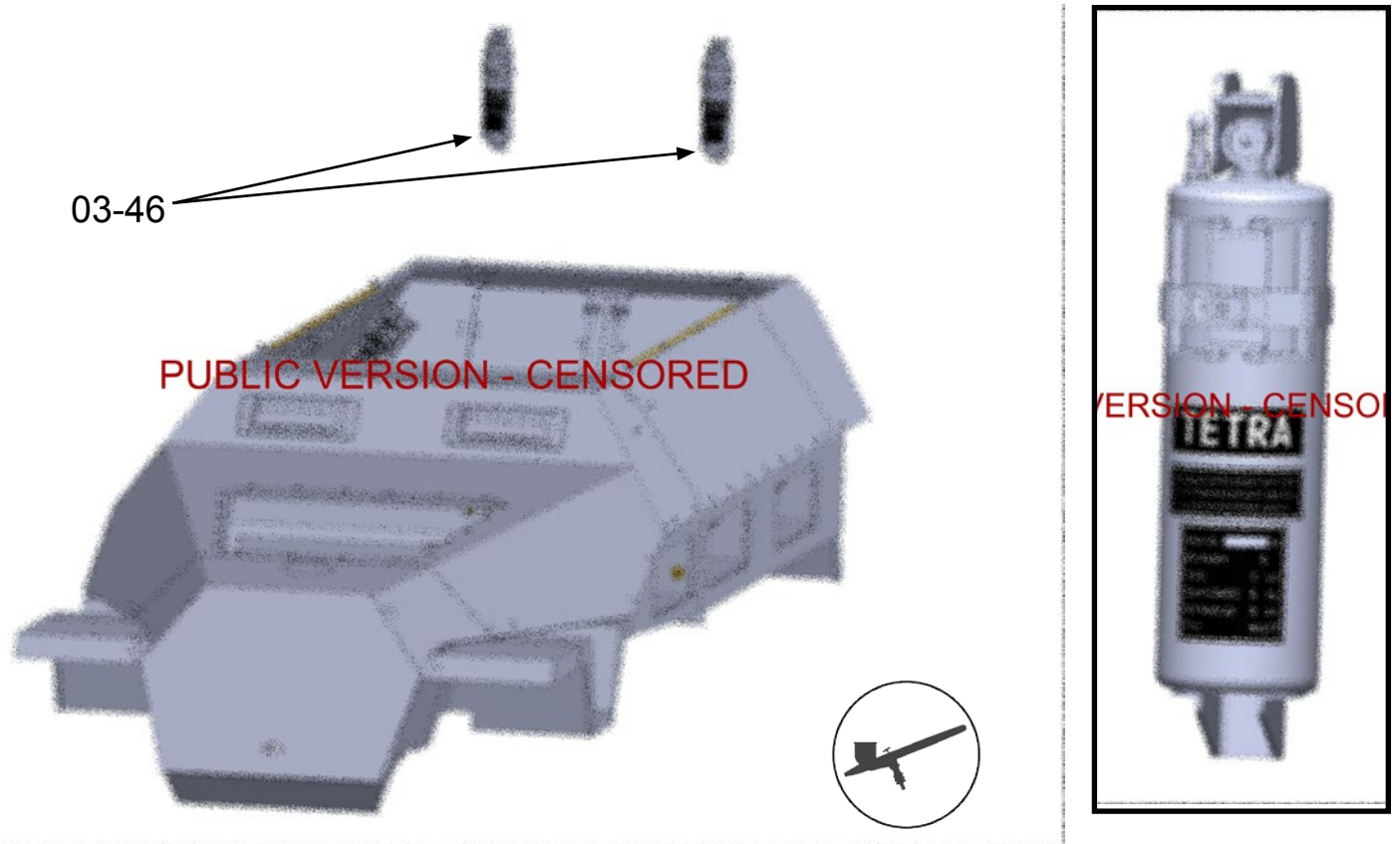
Auxiliary views for installation of parts 03-44 (A+B+C).



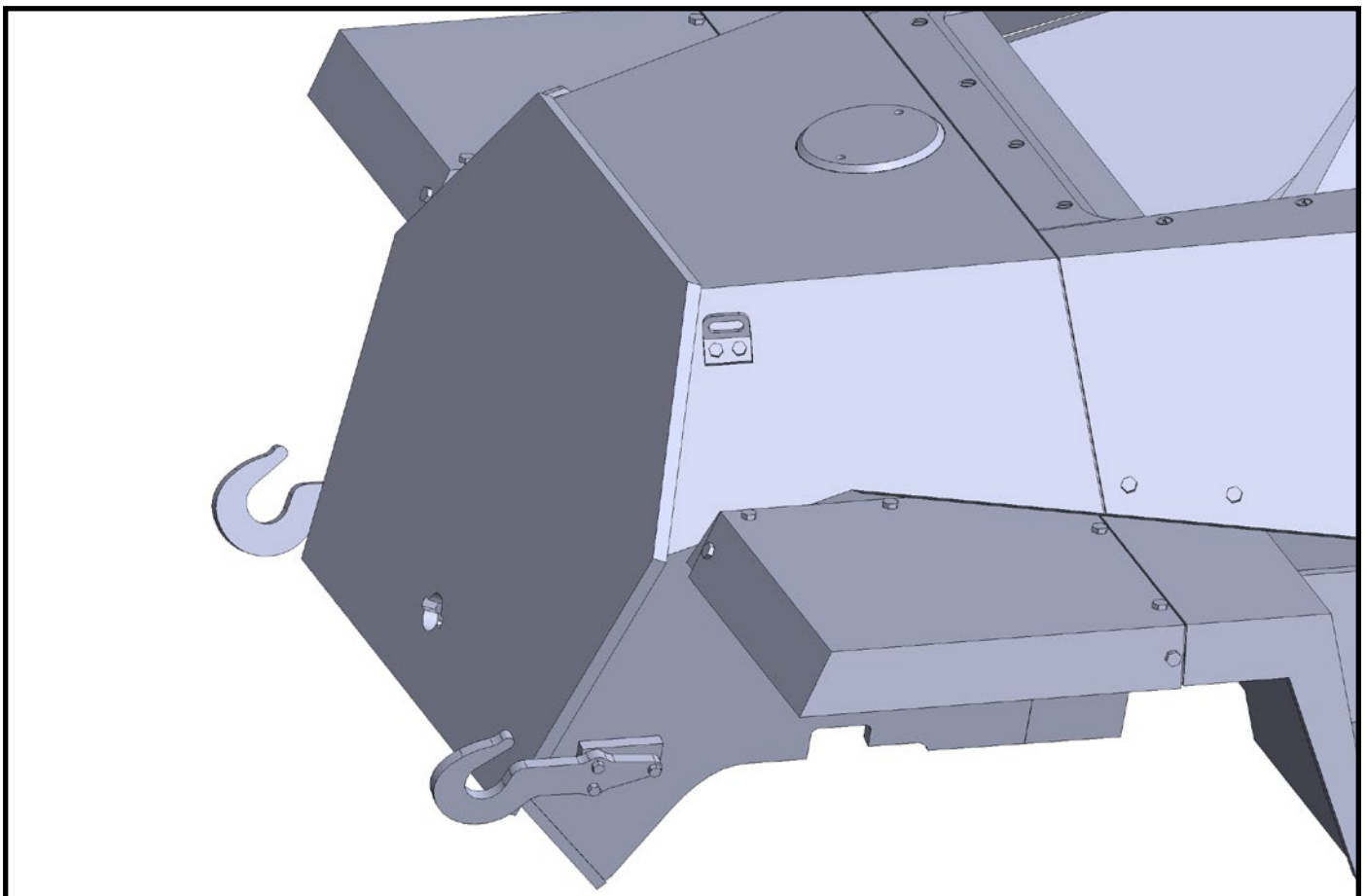
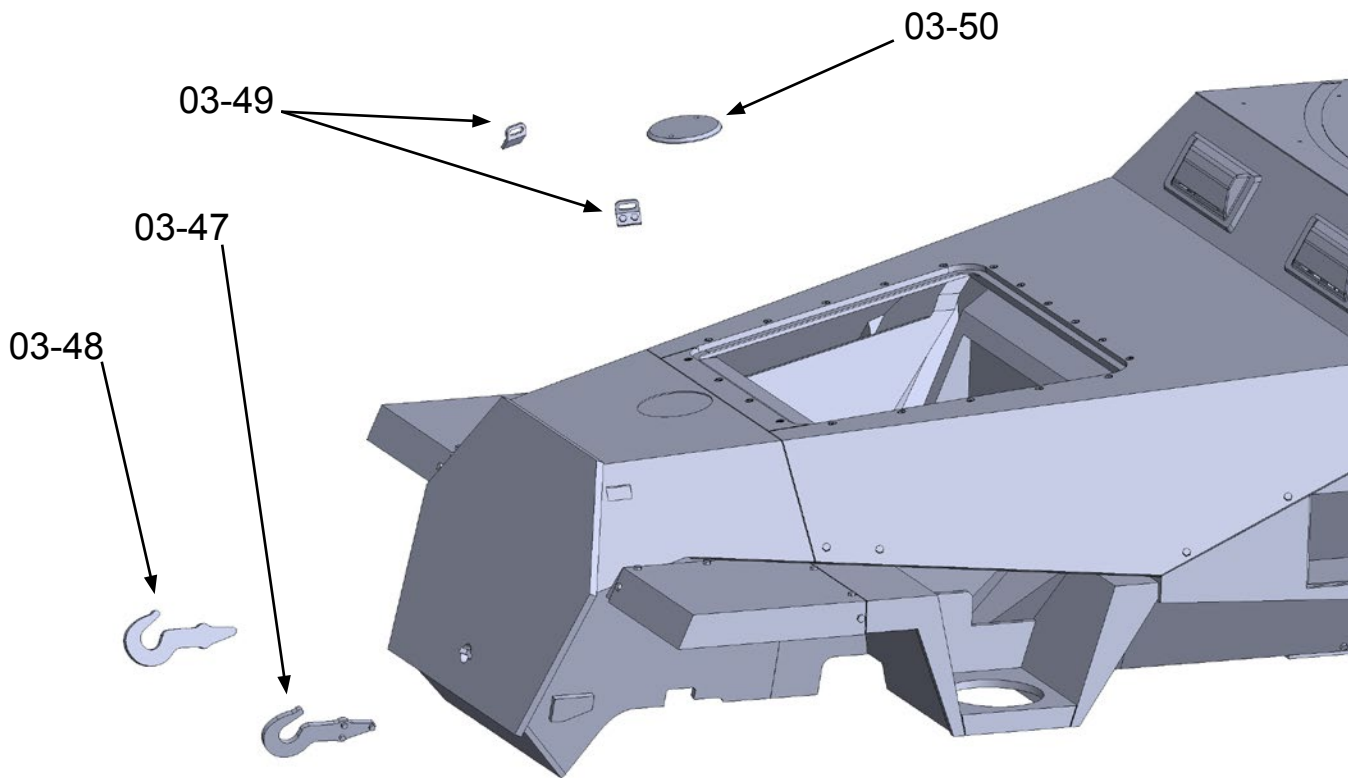
Paint assemblies 03-44 and parts 03-45. Then glue them into assembly 03-21.



Auxiliary views for installation of assemblies 03-44 and parts 03-45.

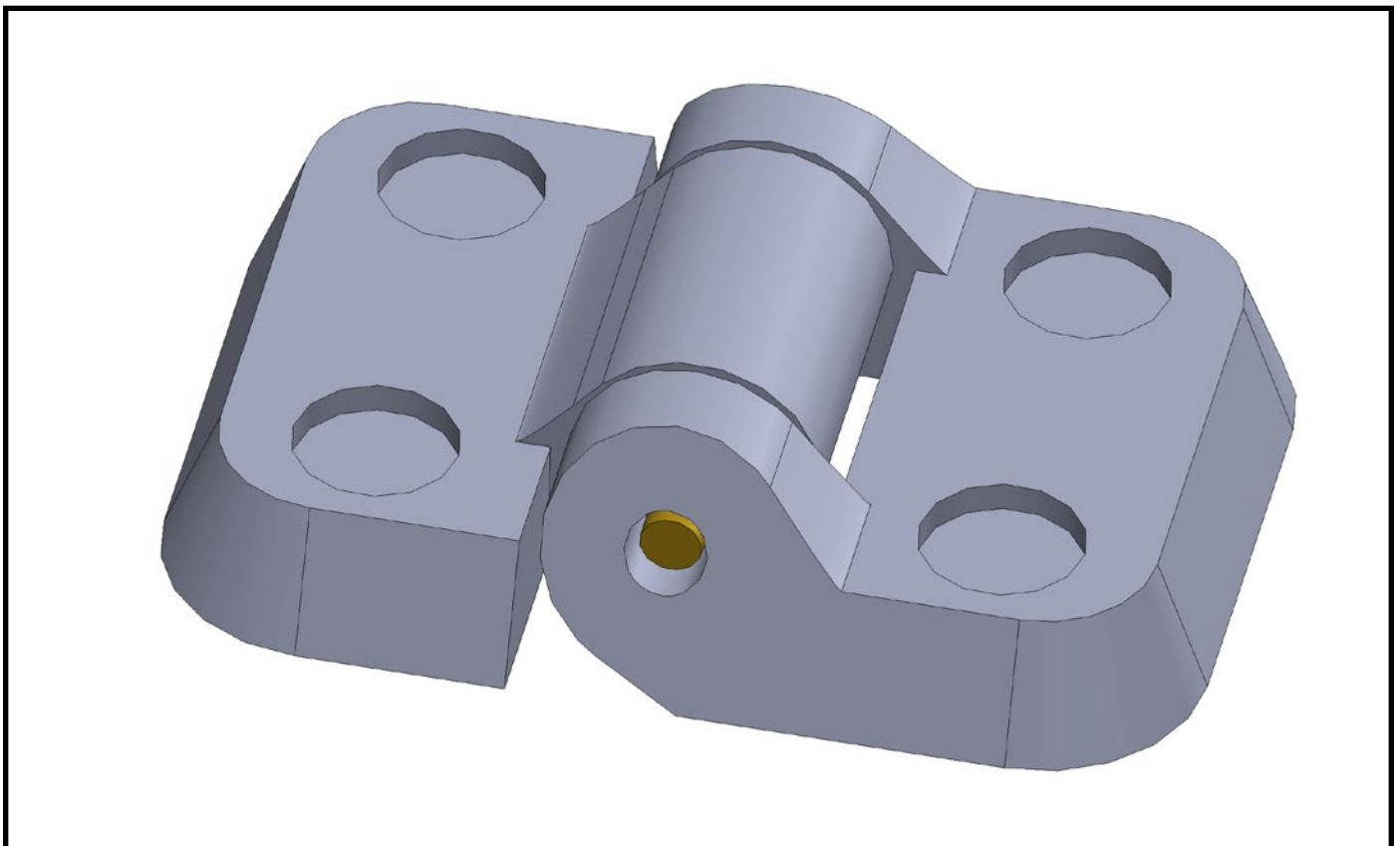
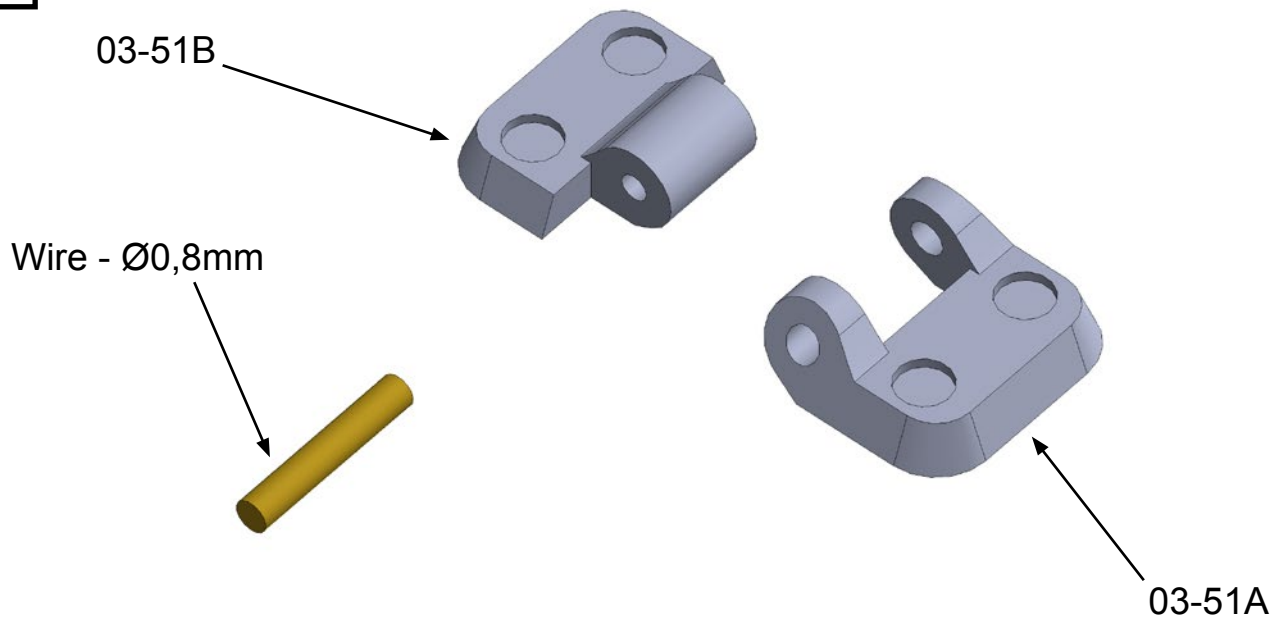


Paint parts 03-46. Apply the waterslide decals as shown in the picture.
Then glue them into assembly 03-21.

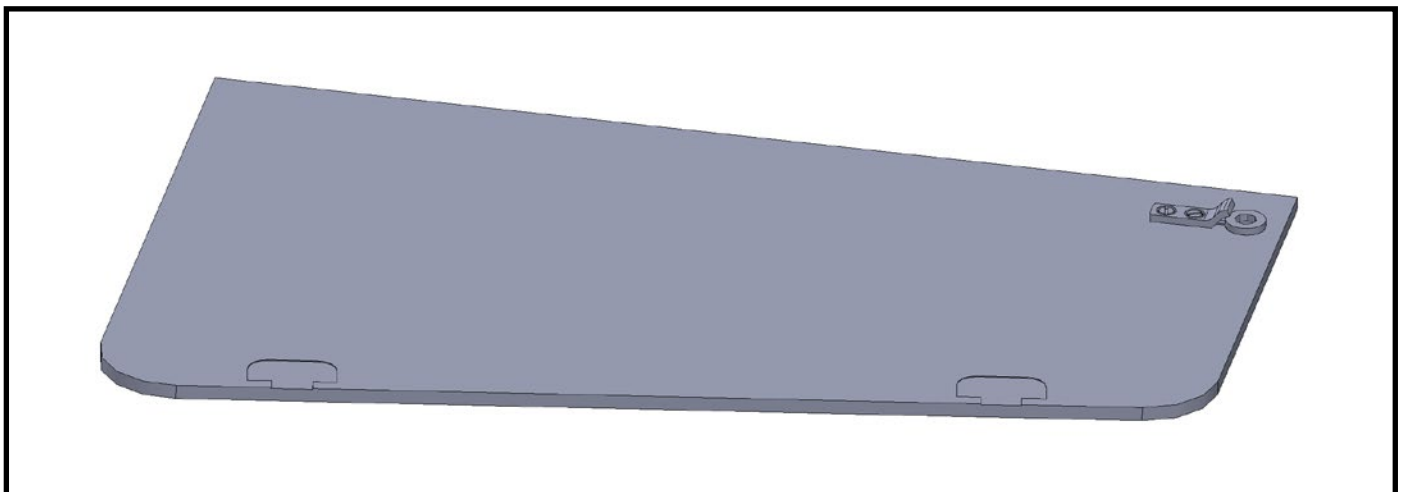
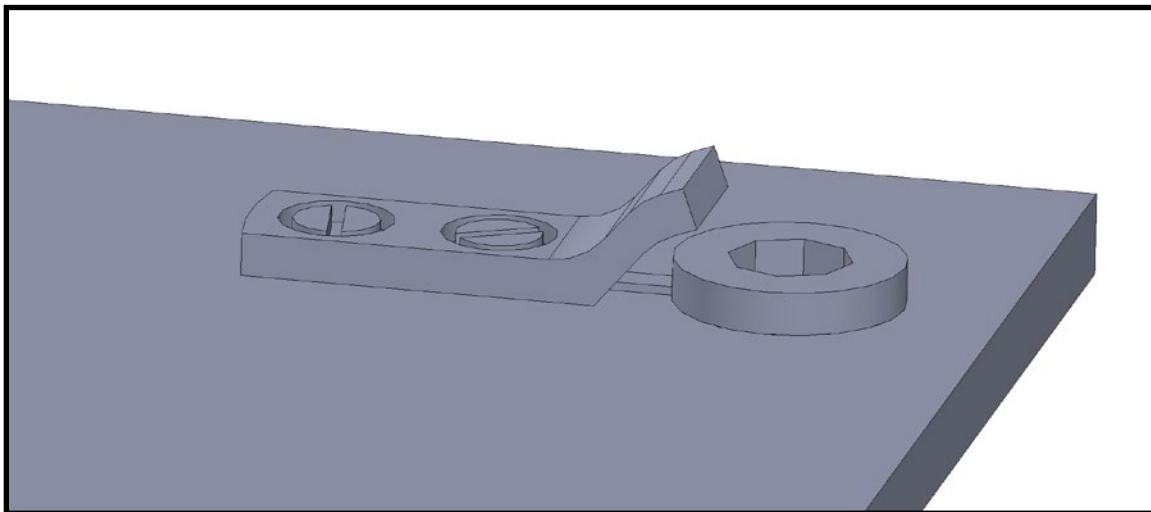
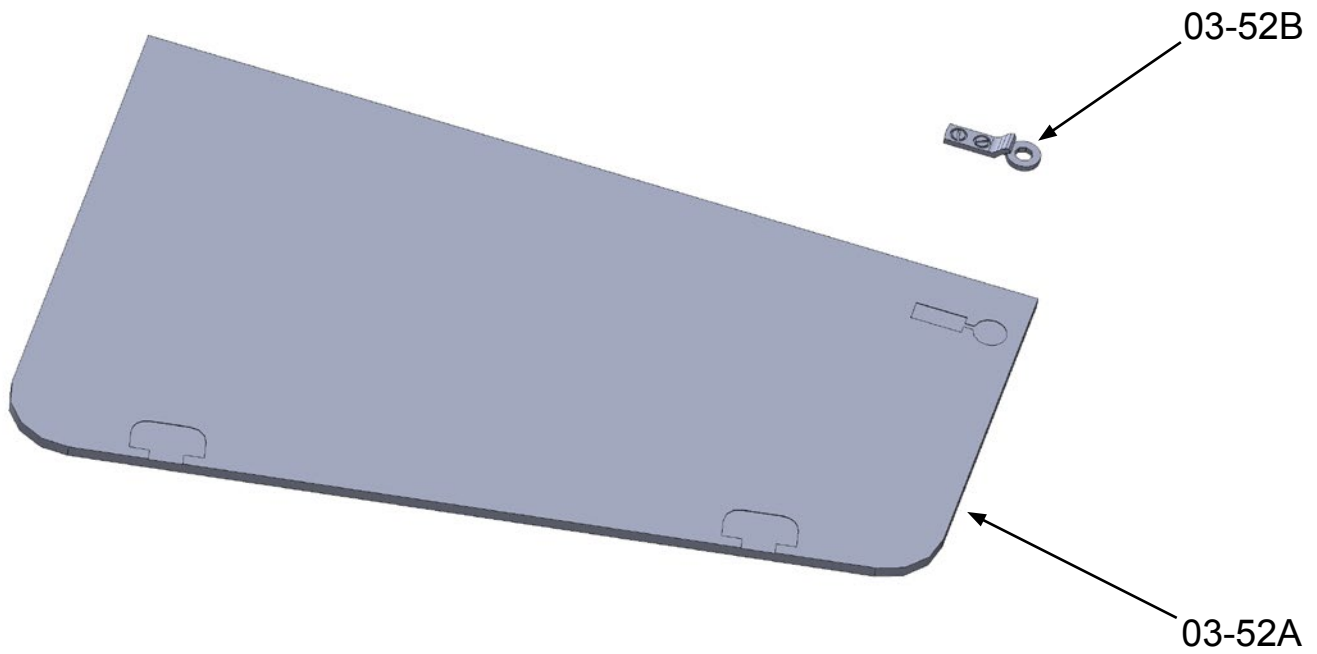


Glue parts 03-47, 03-48, 03-49 (two pieces), and 03-50 to assembly 03-09.

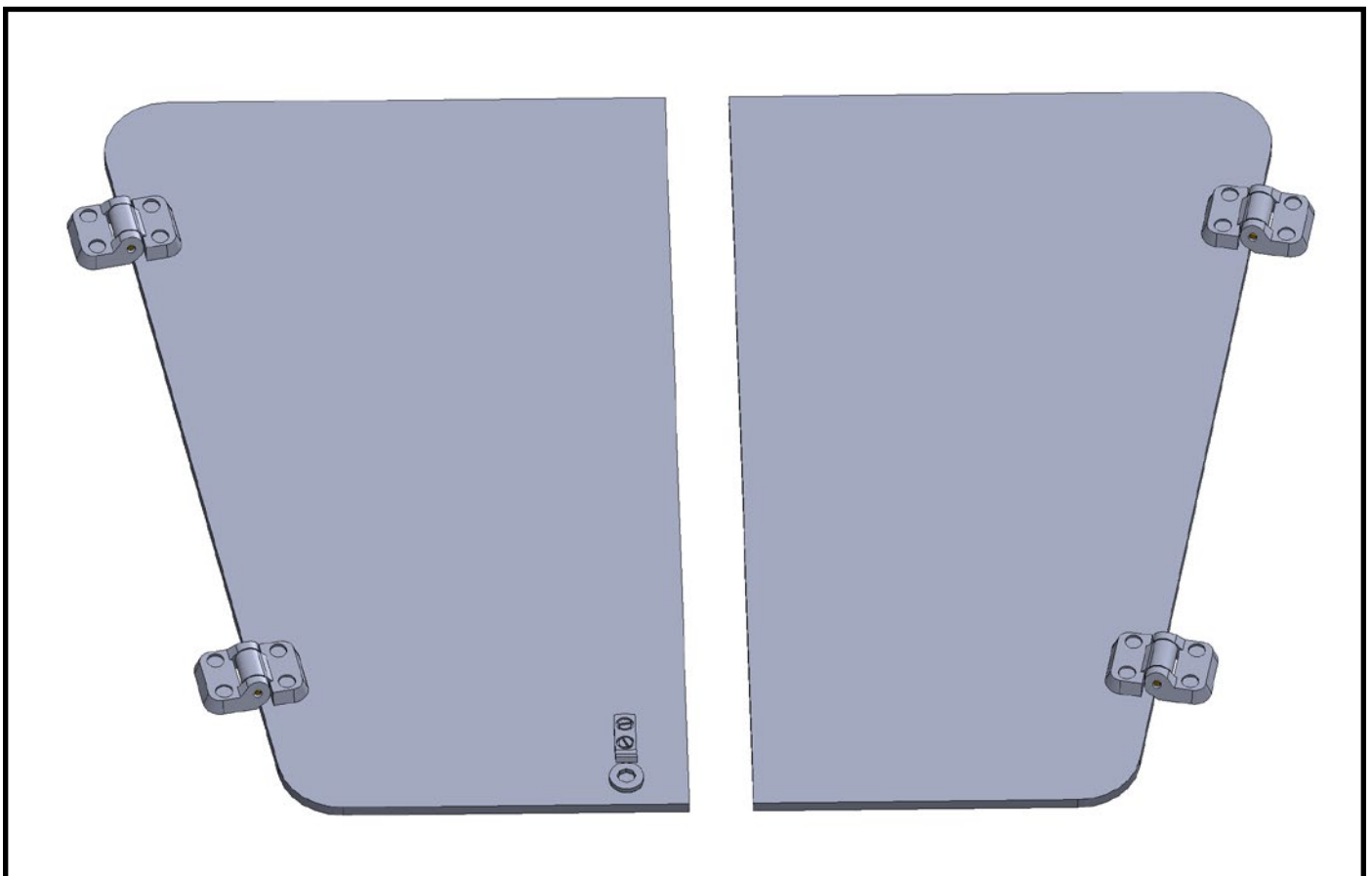
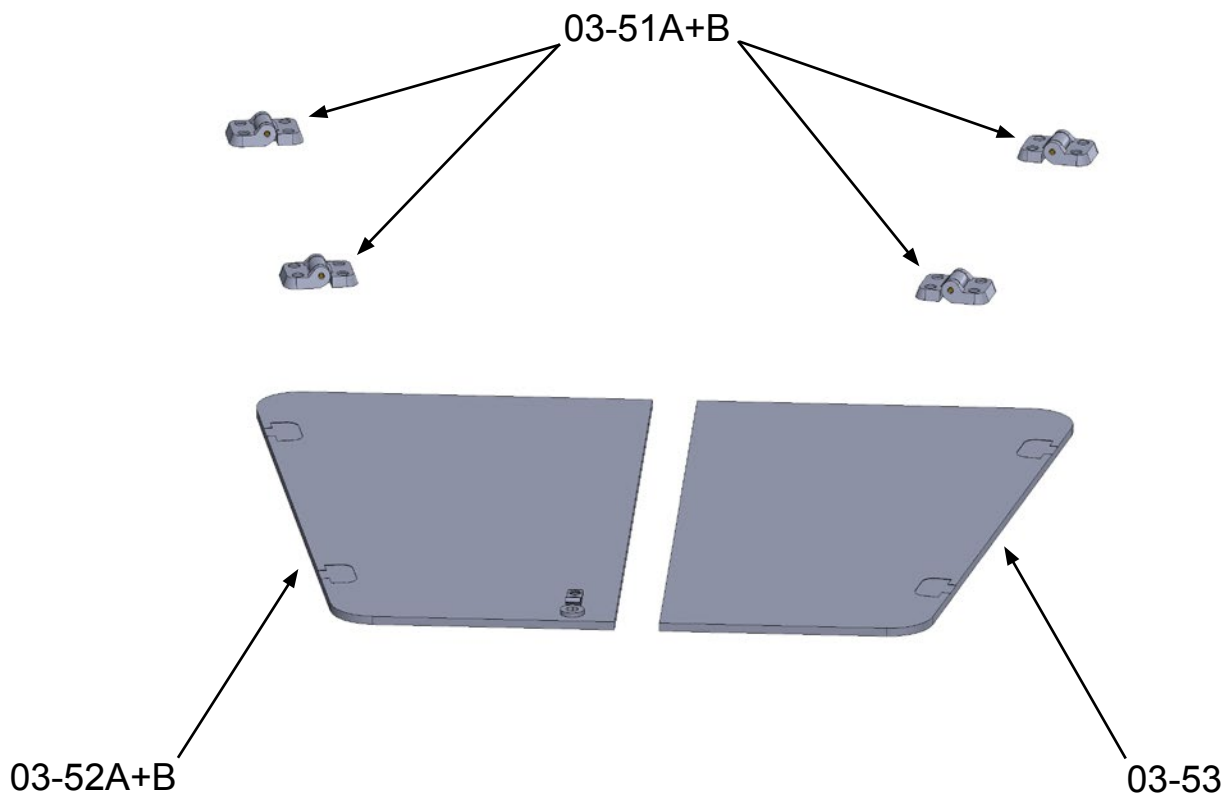
4x



Connect parts 03-51A and 03-51B using 0,8 mm diameter wire.
Repeat four times.



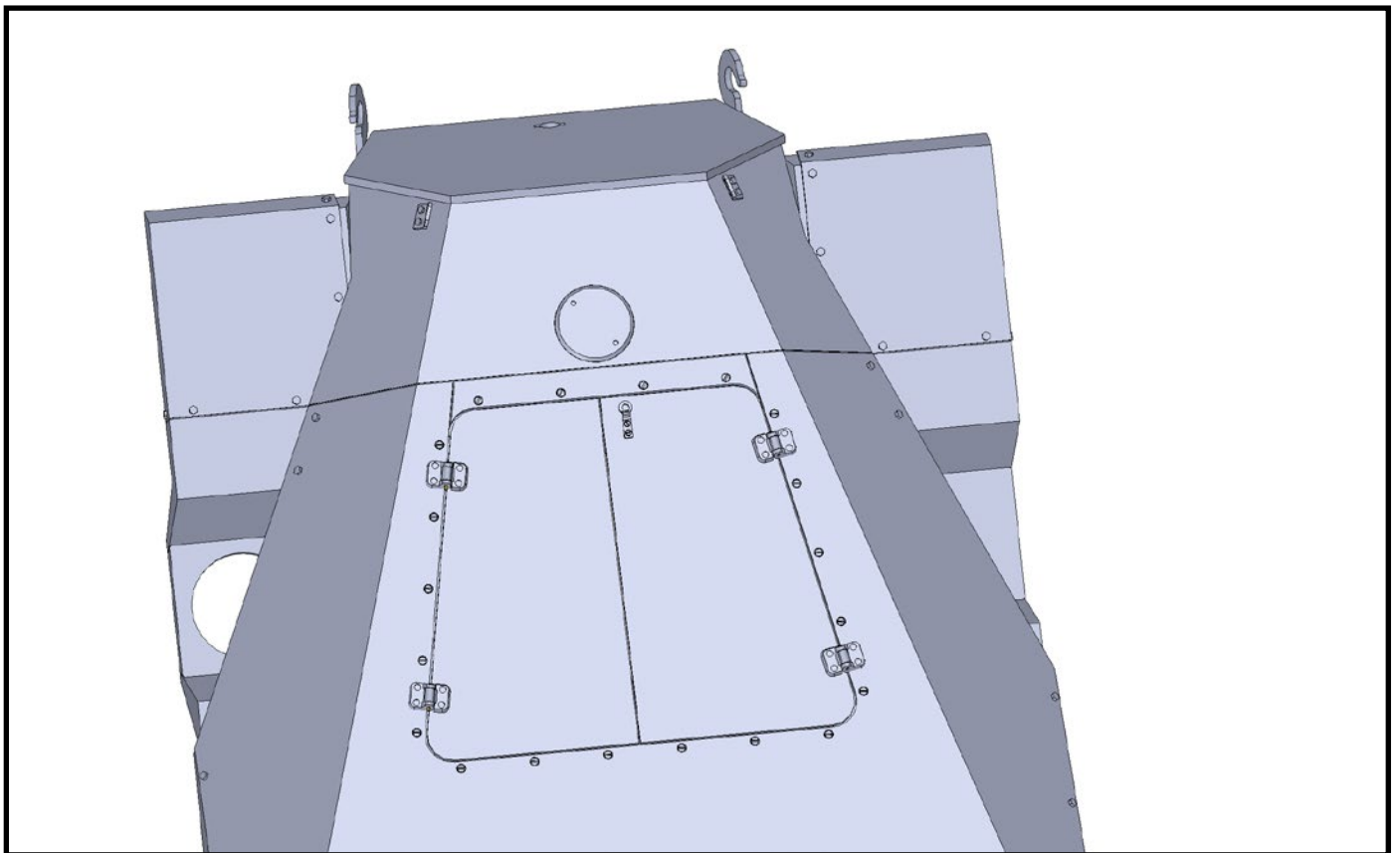
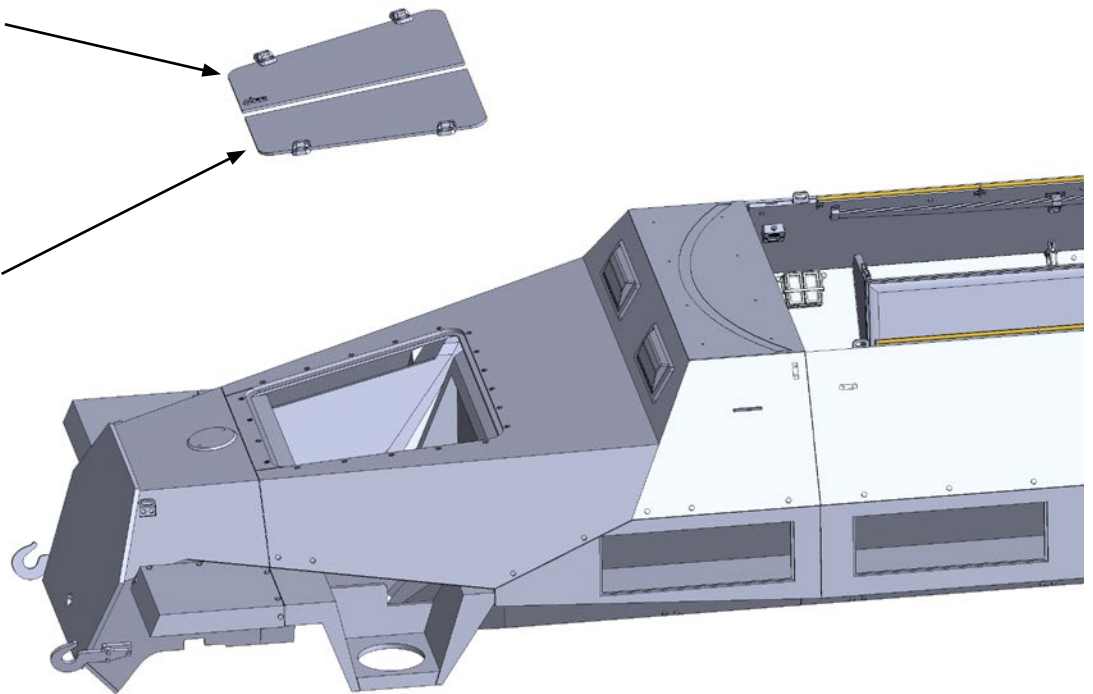
Glue part 03-52A to part 03-52B.



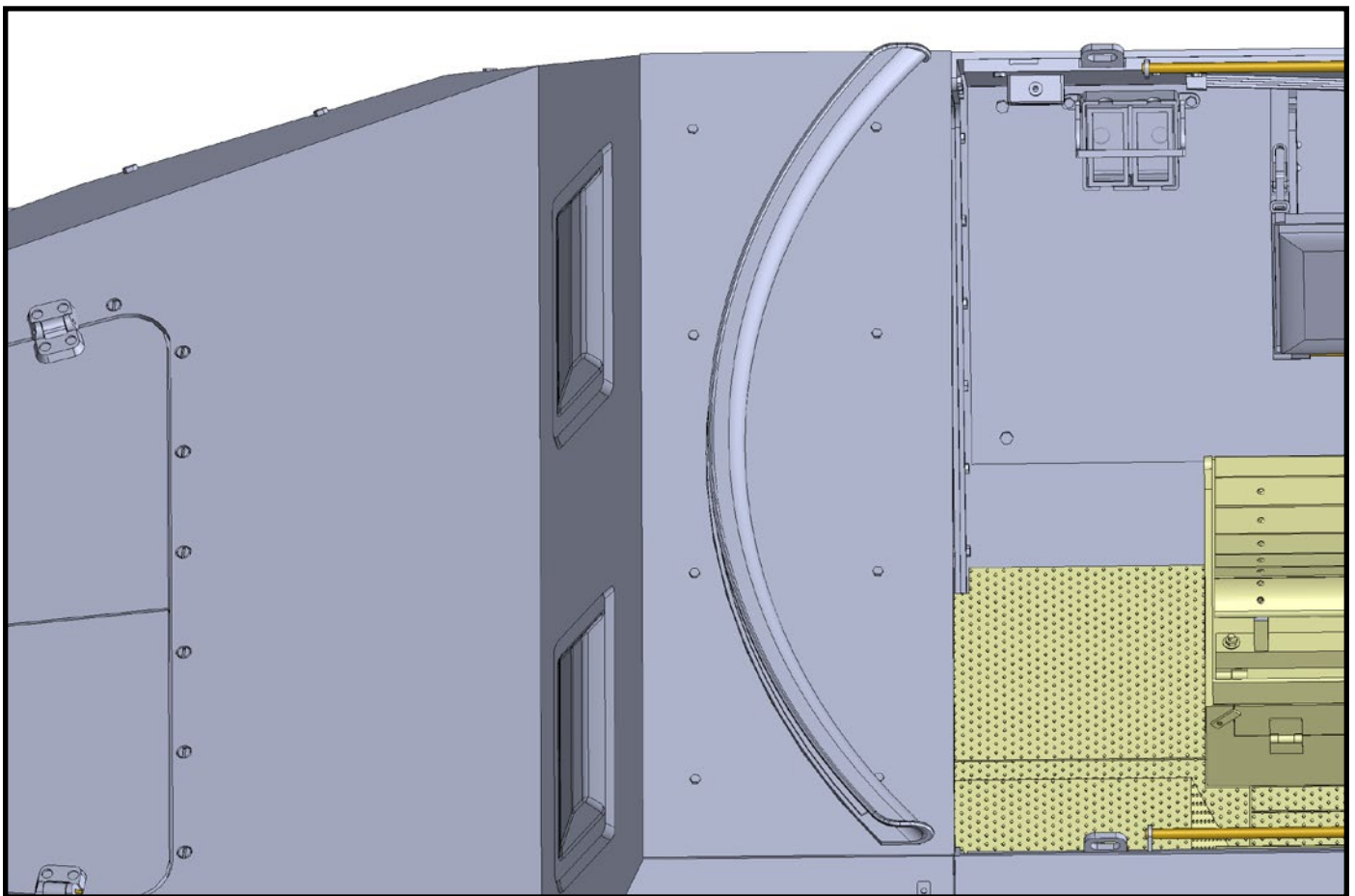
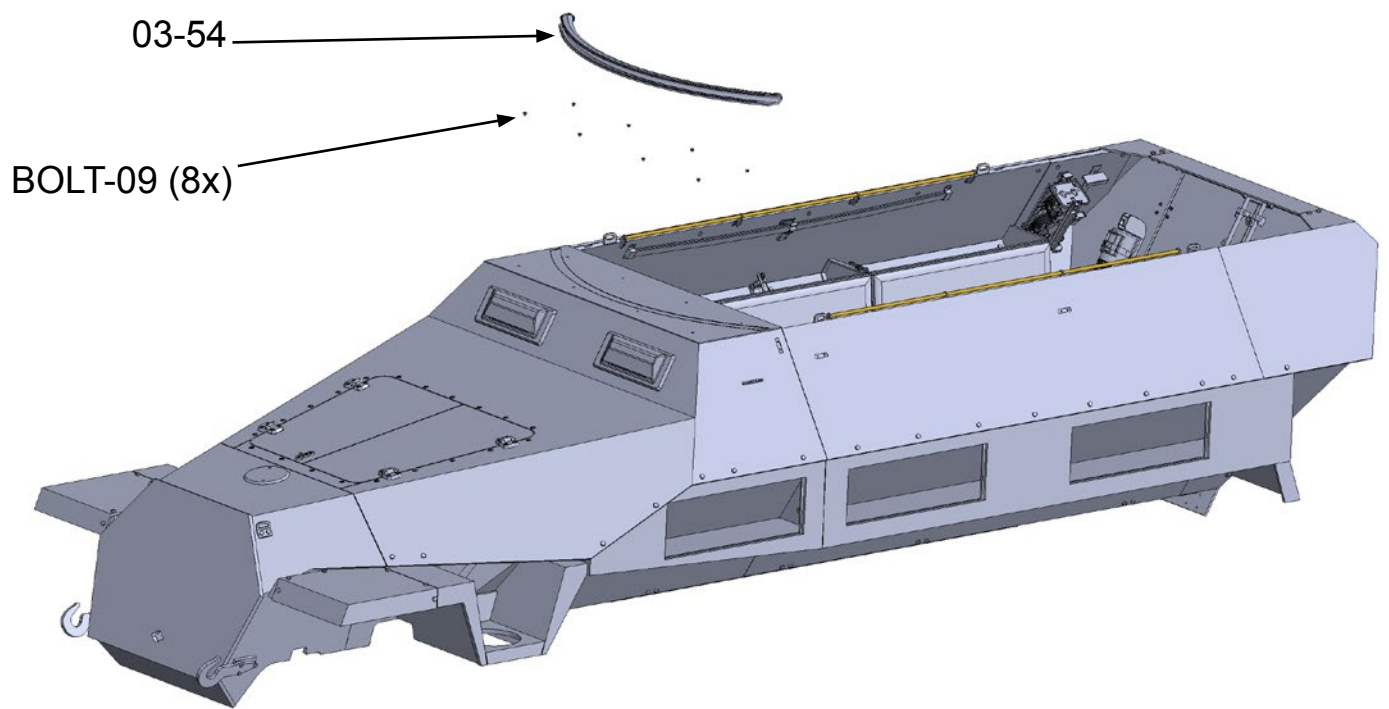
Glue assemblies 03-26 to parts 03-52A and 03-53.

03-52 (assembled)

03-53 (assembled)

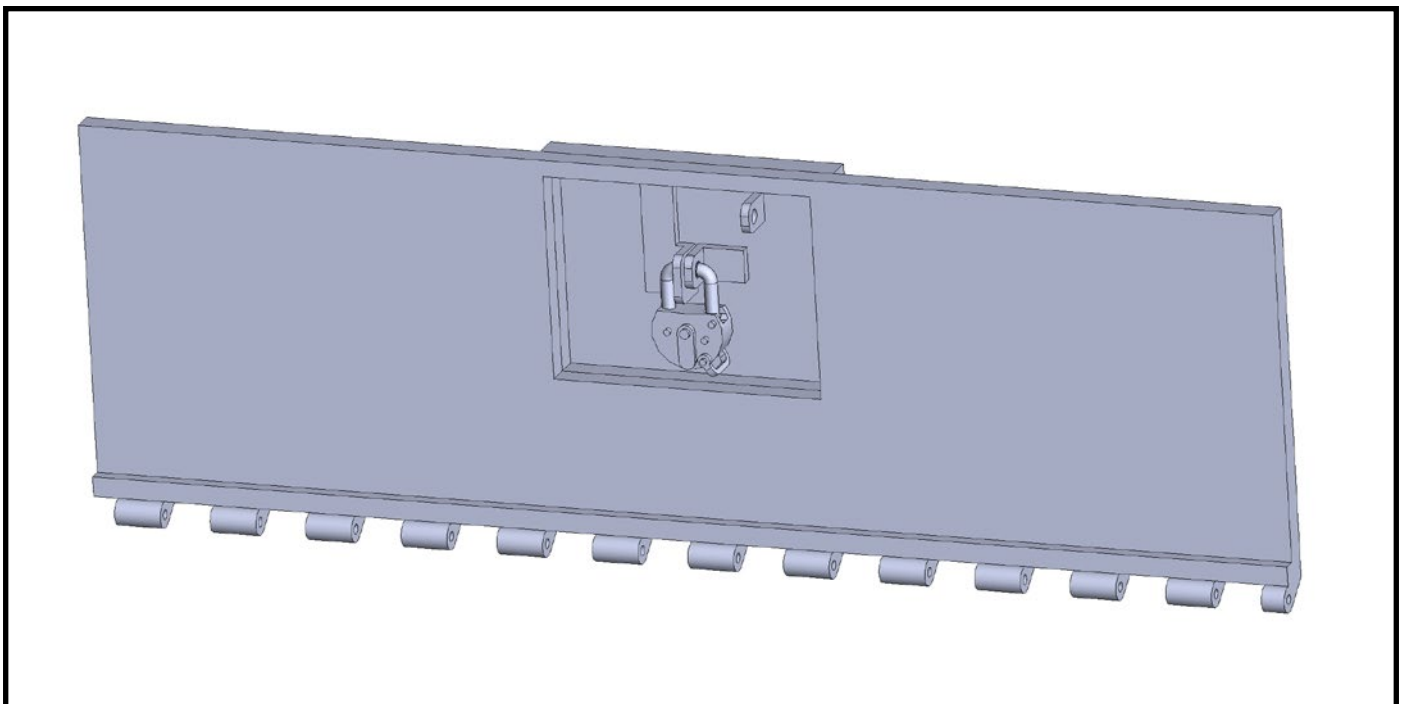
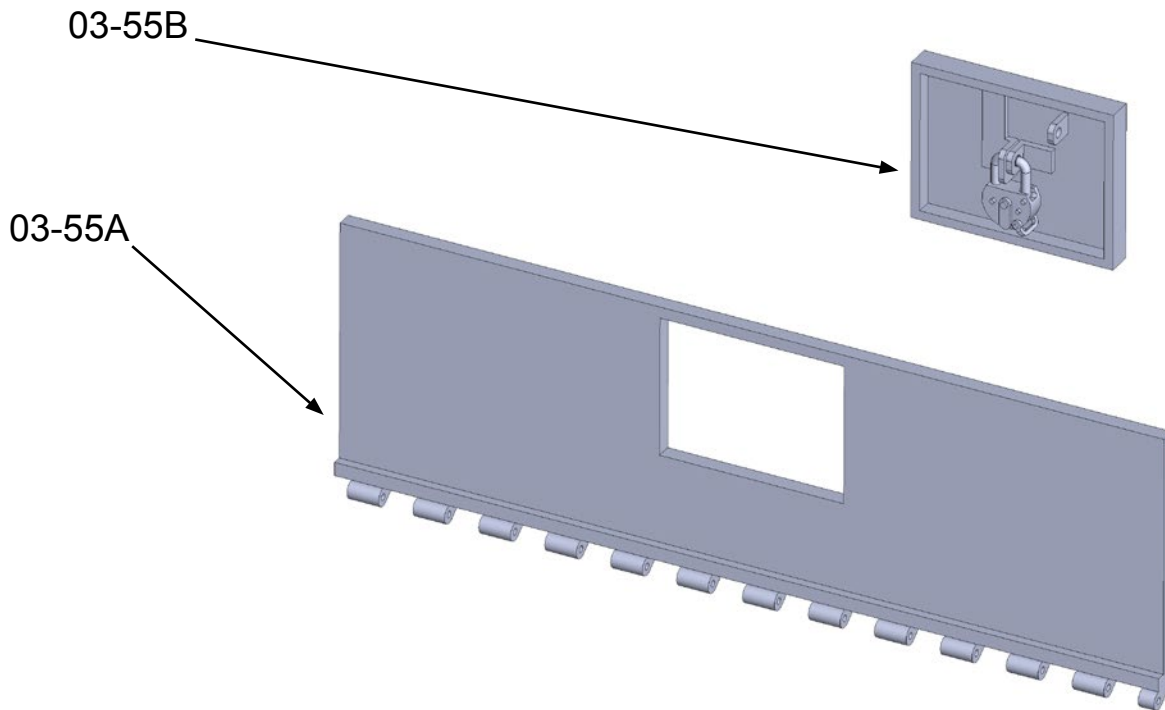


Glue assemblies 03-52 and 03-53 to the assembly 03-09.
Apply glue only to parts 03-51A !!! Perform a dry fit before gluing.



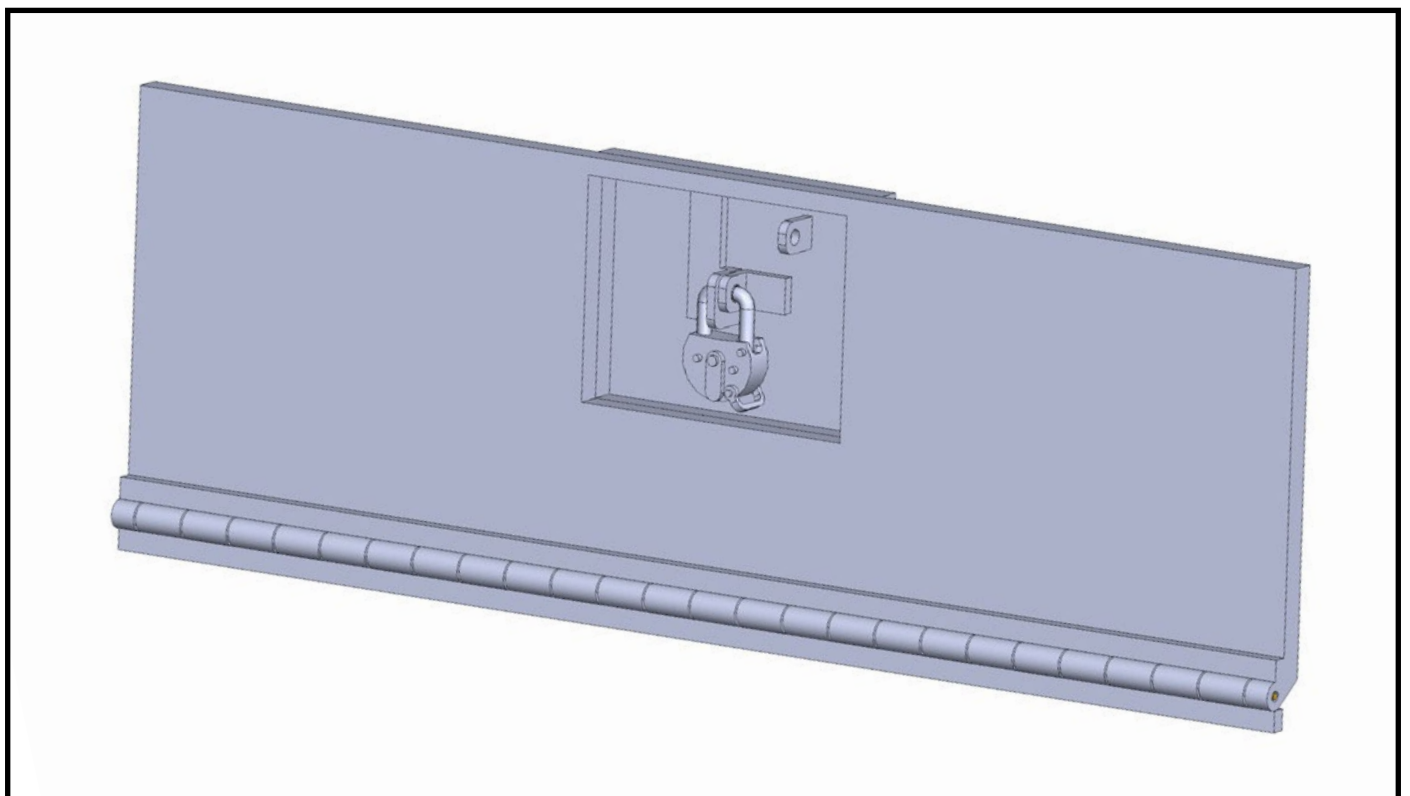
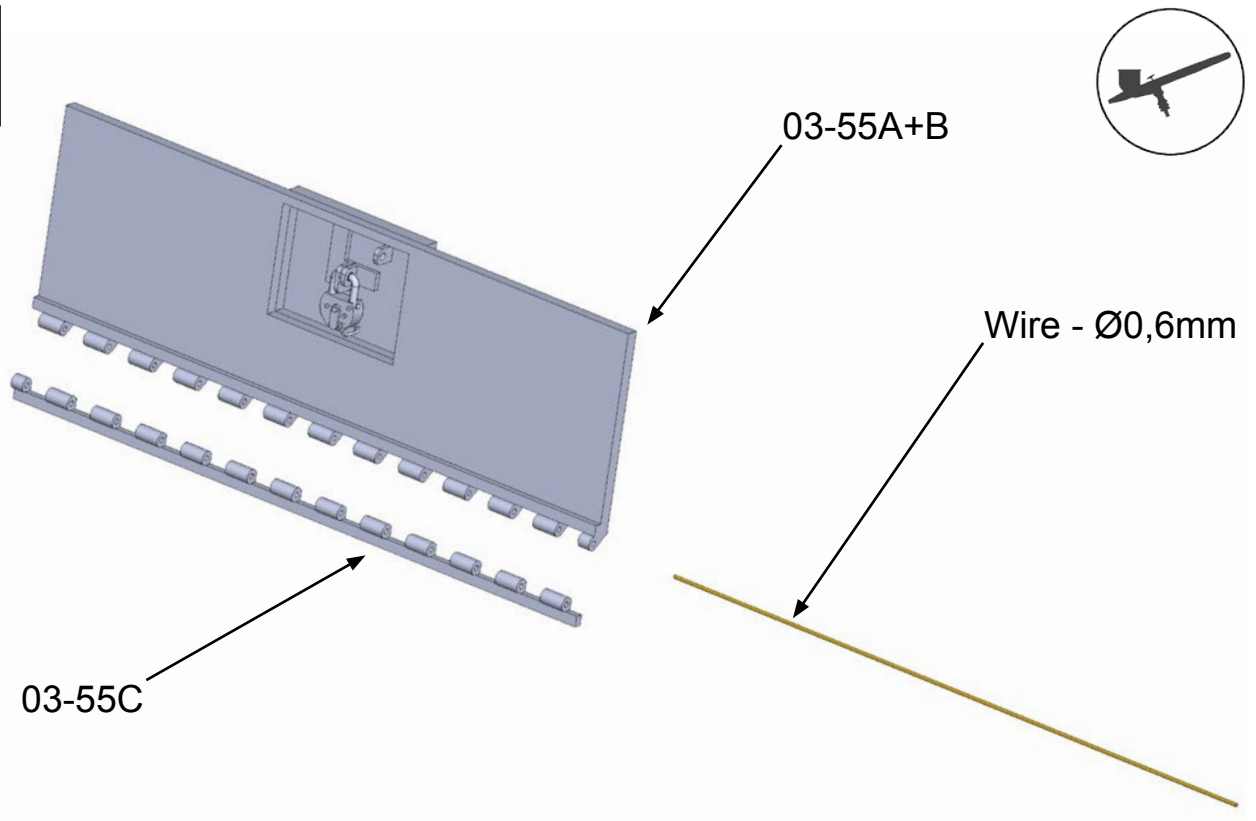
Glue part 03-54 to assembly 03-09.
Glue the plastic bolts BOLT-09 (8 pieces) onto part 03-09A.

6x

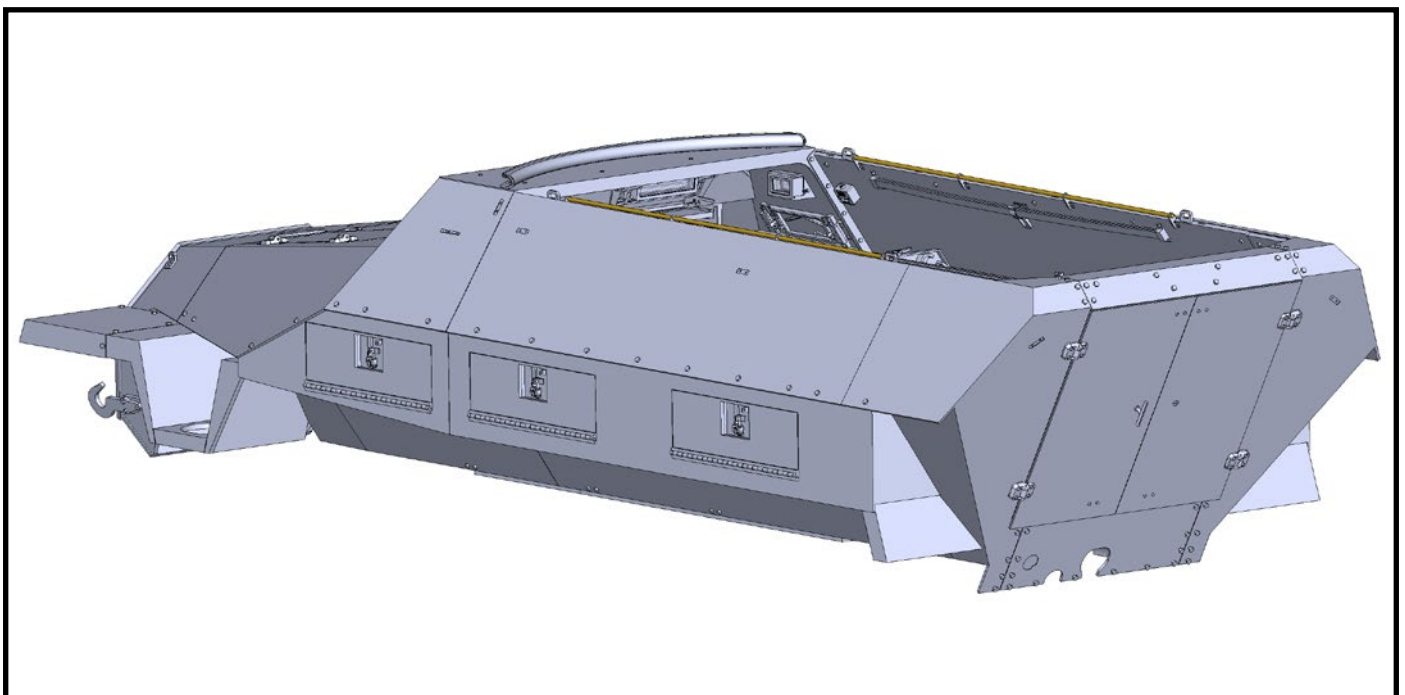
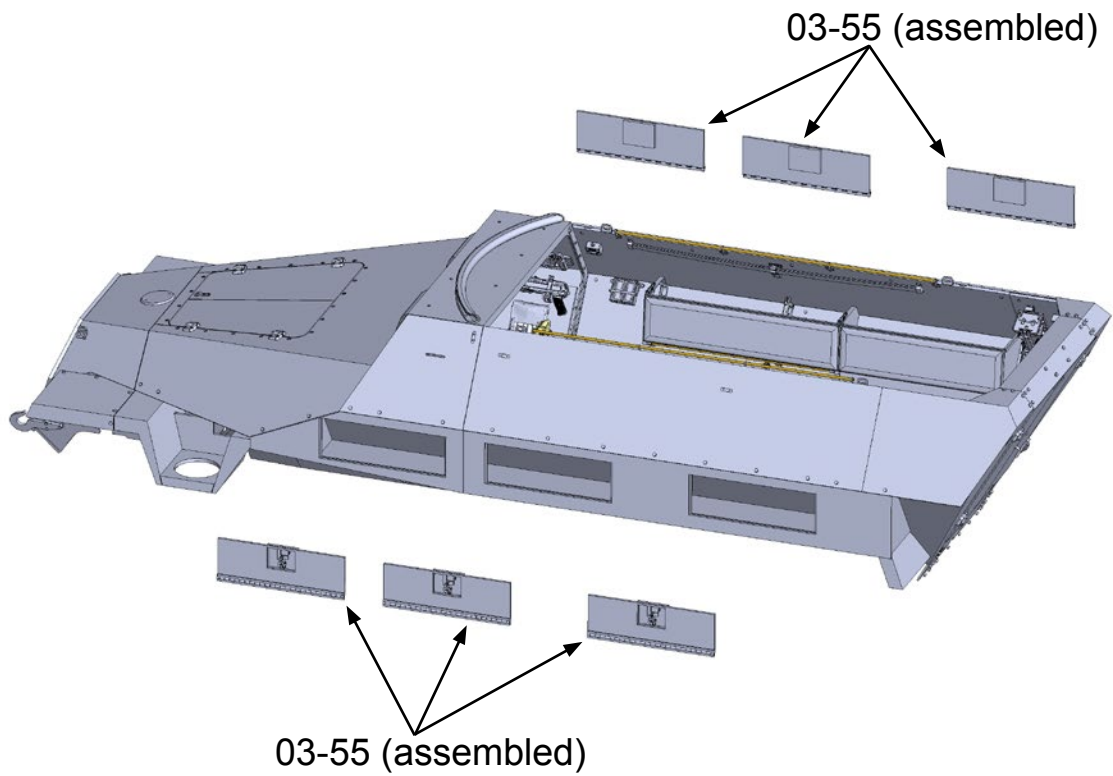


Glue part 03-55B to part 03-55A. Repeat six times.

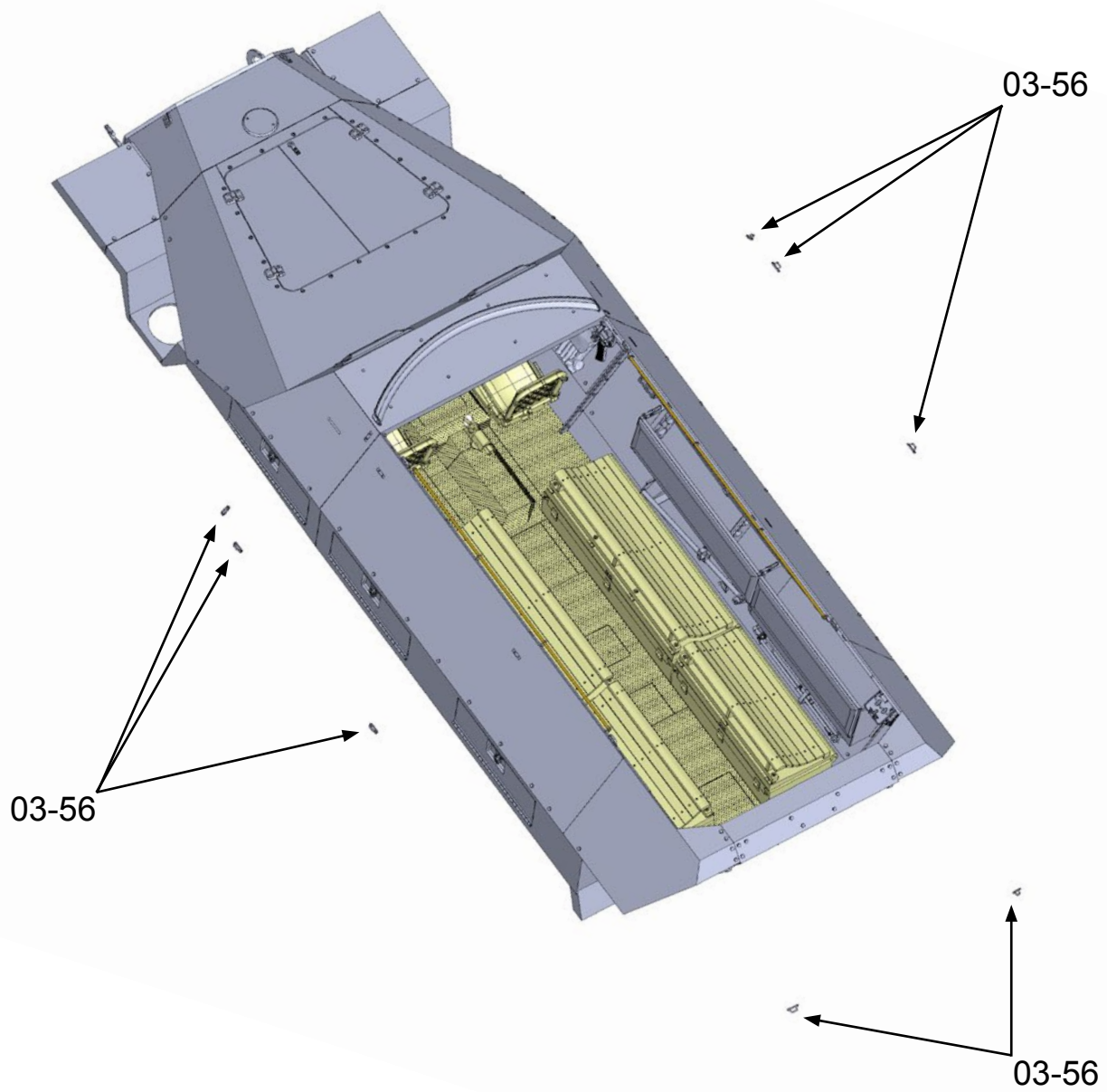
6x



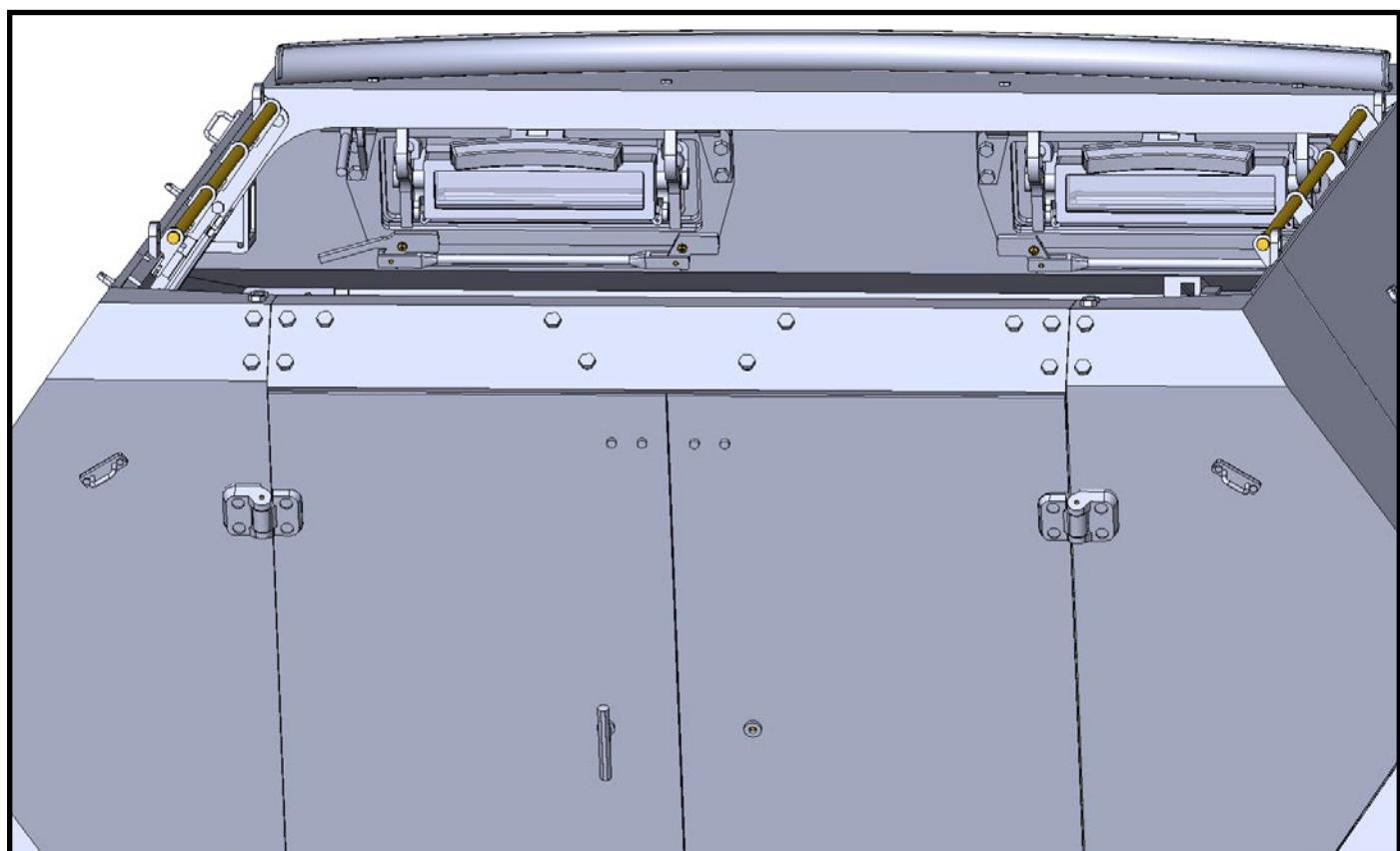
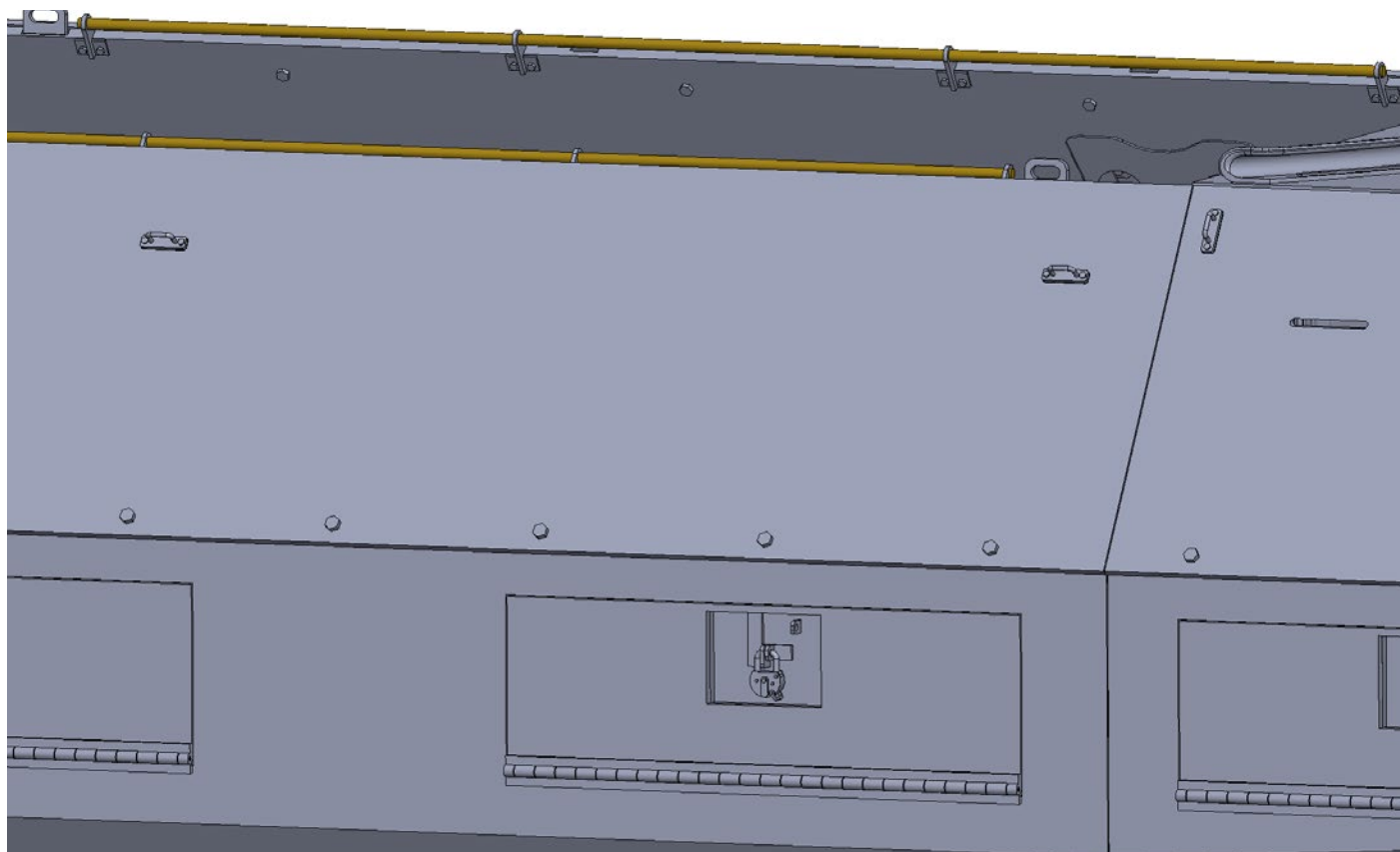
Connect part 03-55C to part 03-55A using 0,6 mm diameter wire.
Repeat six times. We recommend painting the parts now.



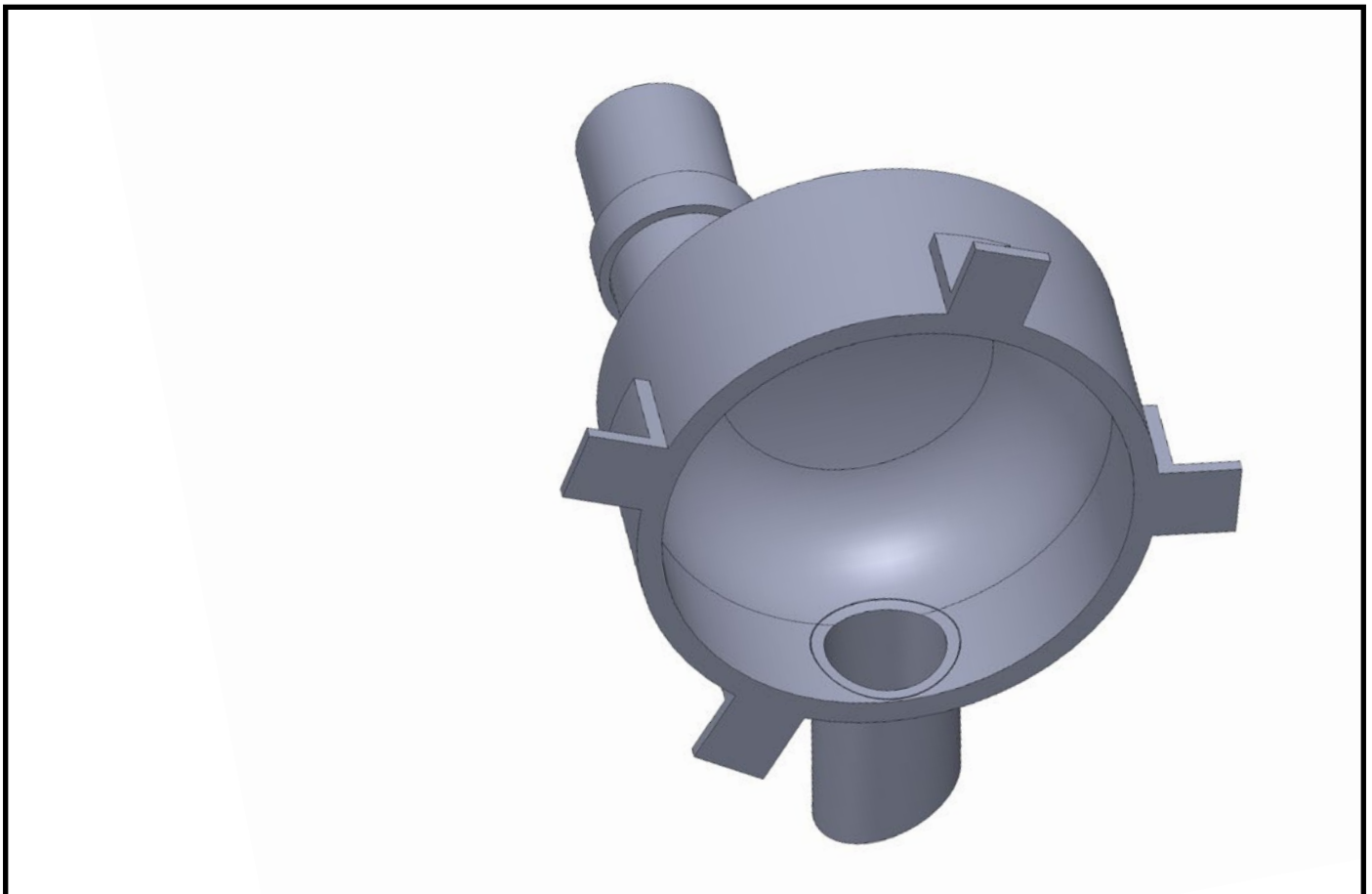
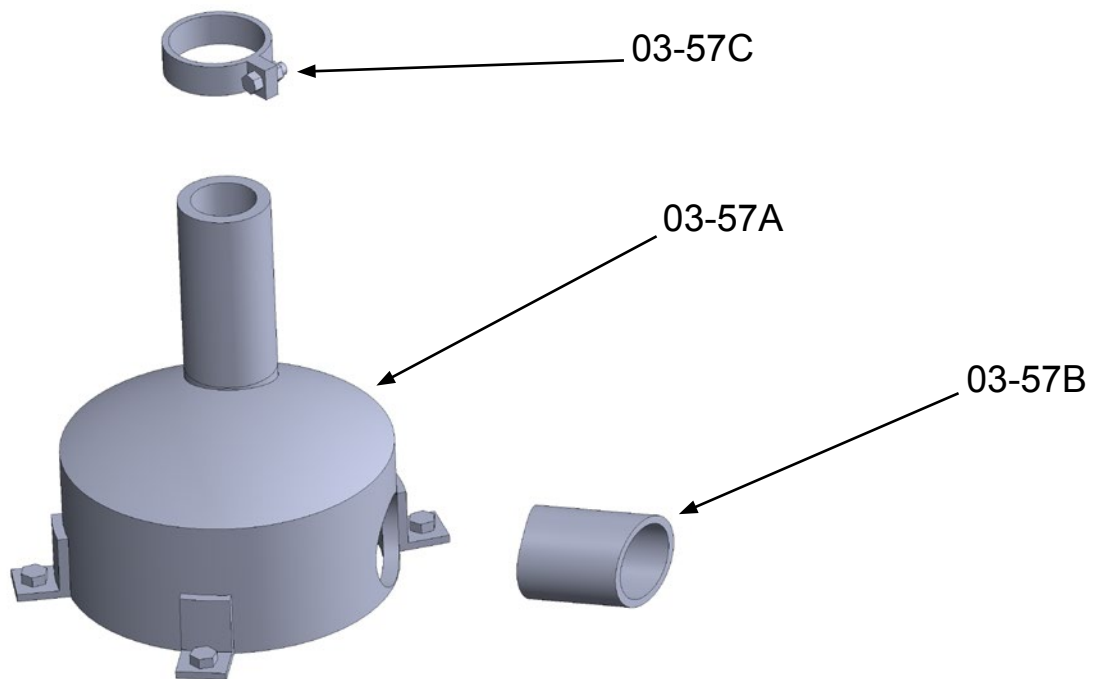
Glue all assemblies 03-55 to the model. **Apply glue only to part 03-55C !!!**



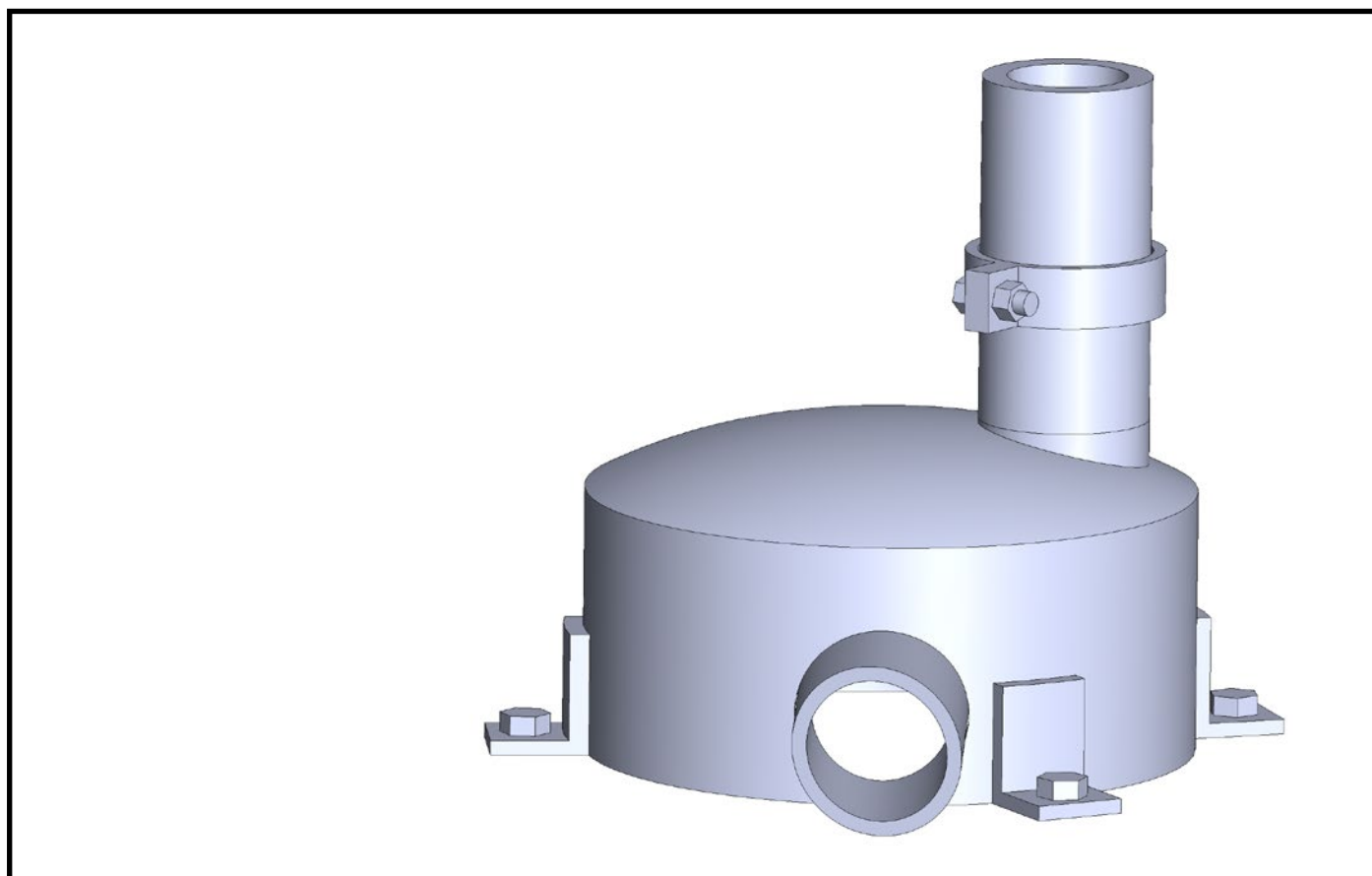
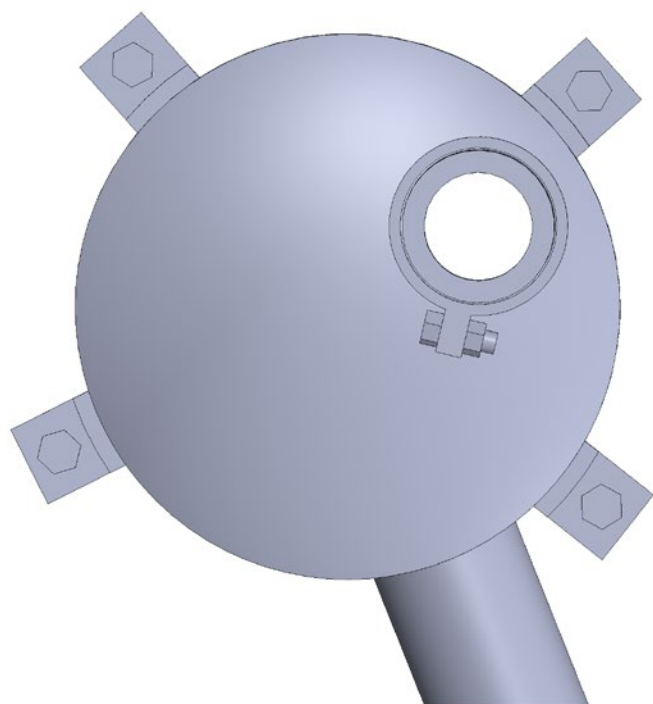
Glue eight parts 03-52A to assembly 03-21.



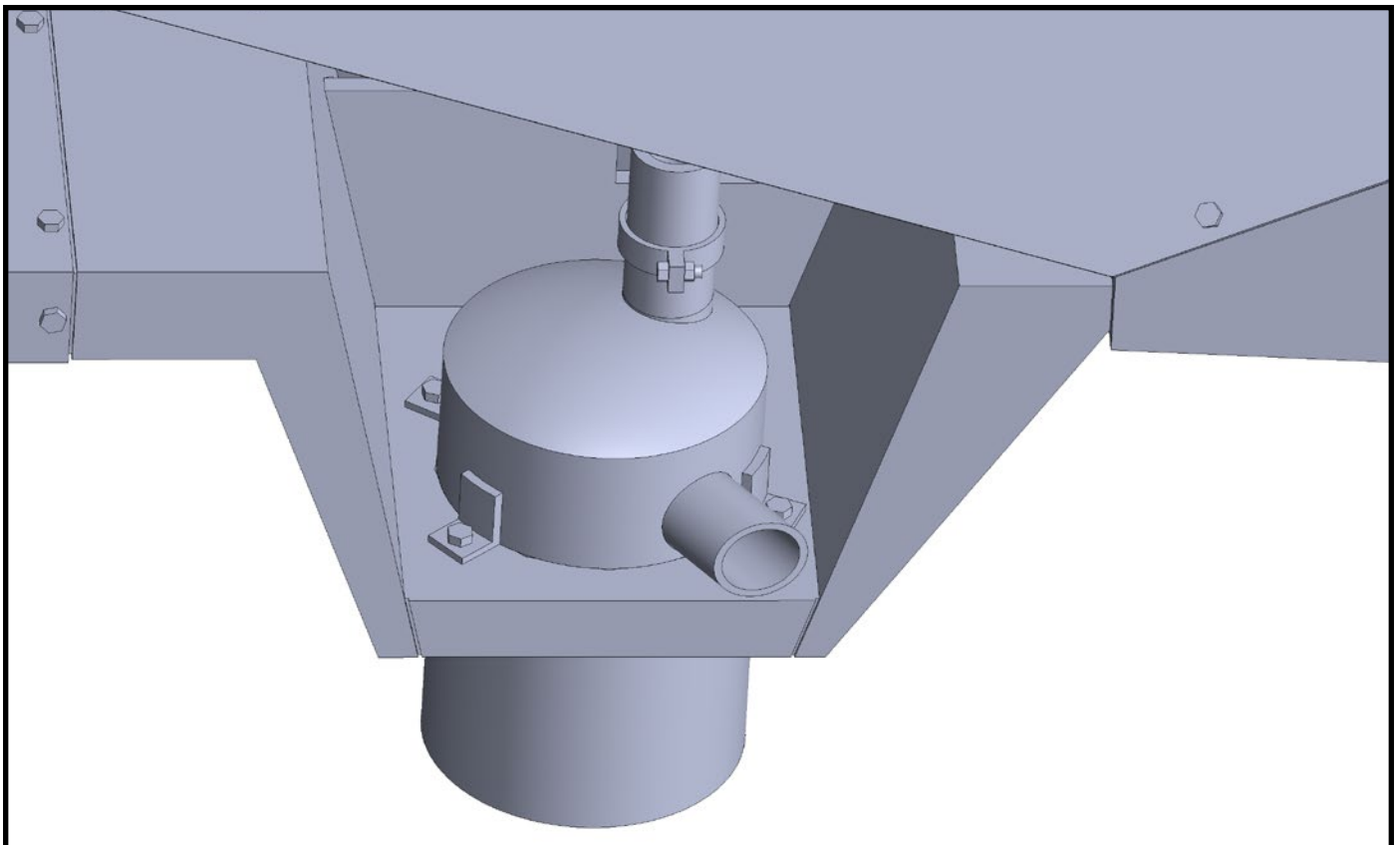
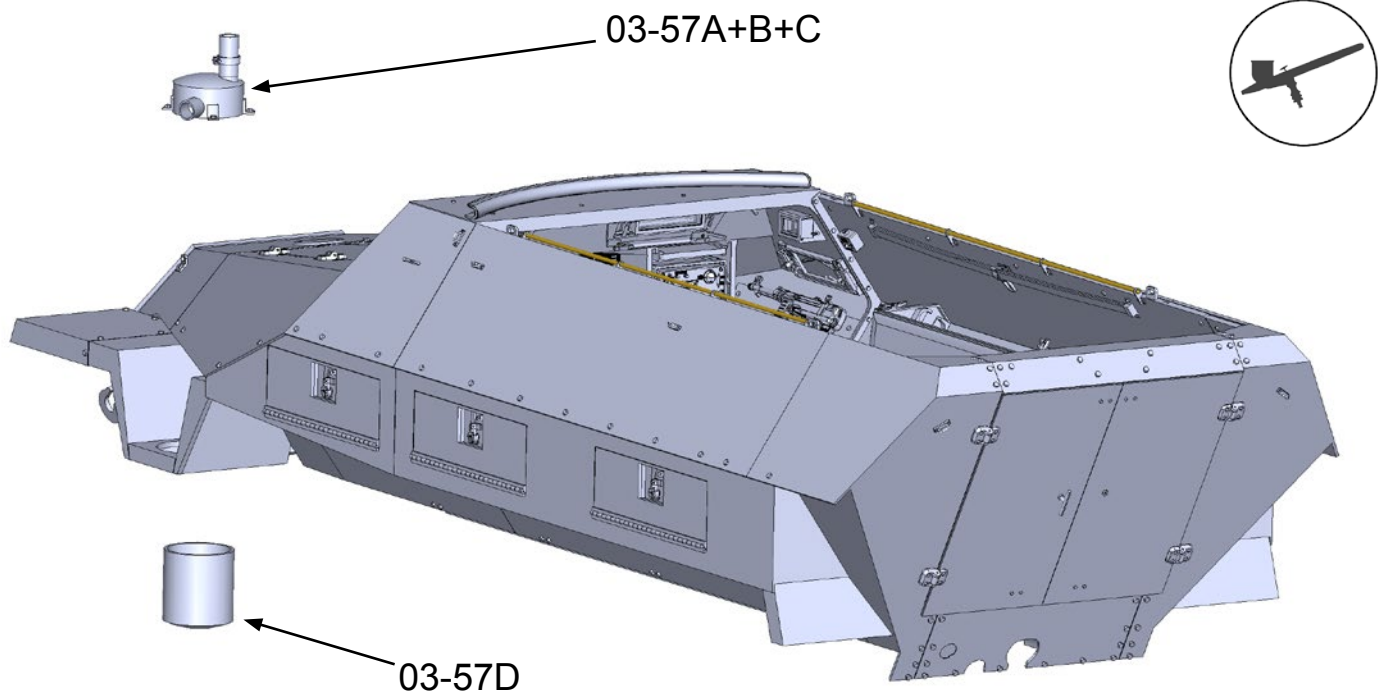
Auxiliary views for installation of parts 03-56.



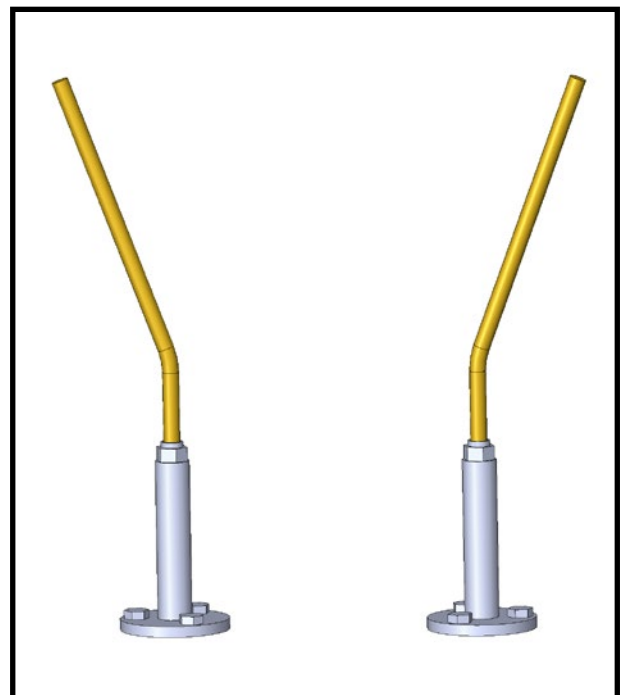
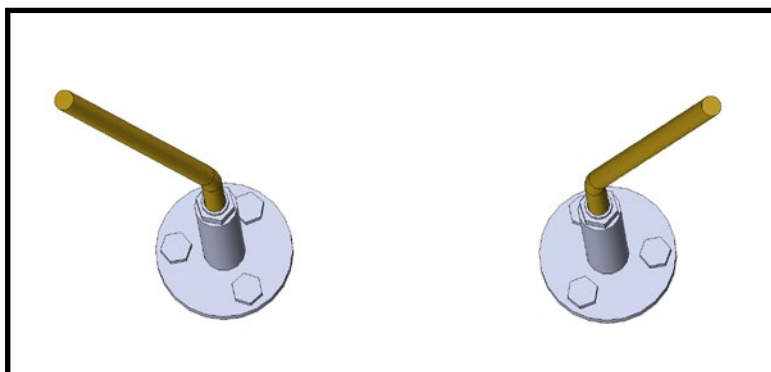
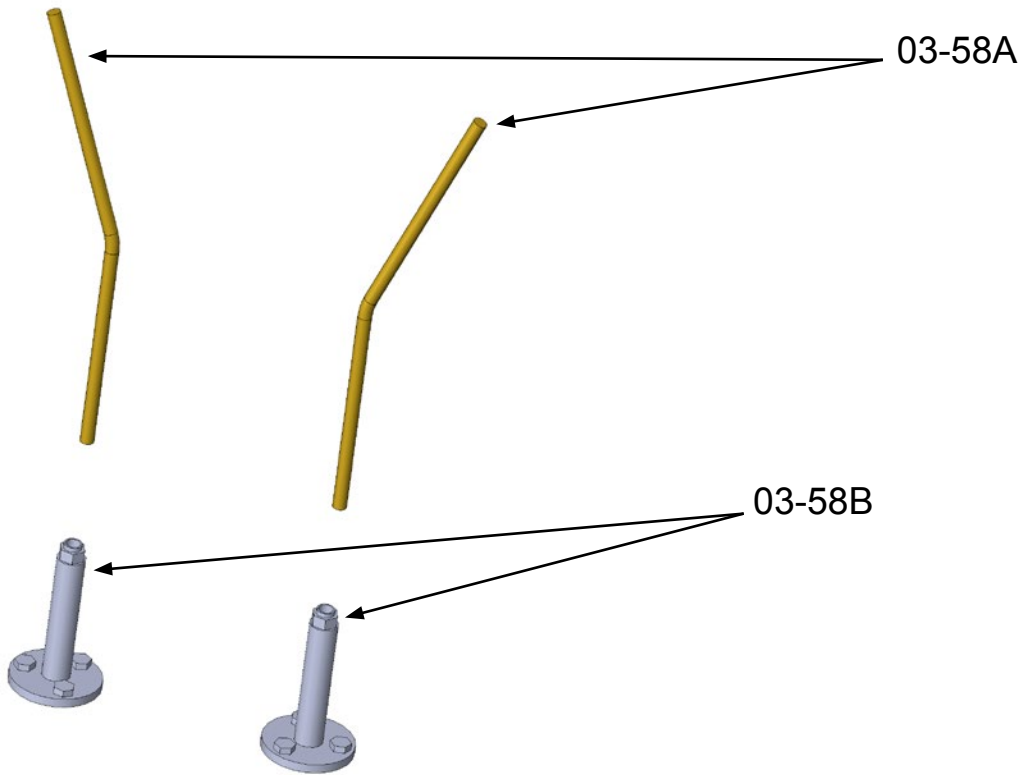
Glue parts 03-57A, 03-57B, and 03-57C together.
The joint between parts 03-57A and 03-57B must be airtight.
It is recommended to use acetone or acetone-based glue.



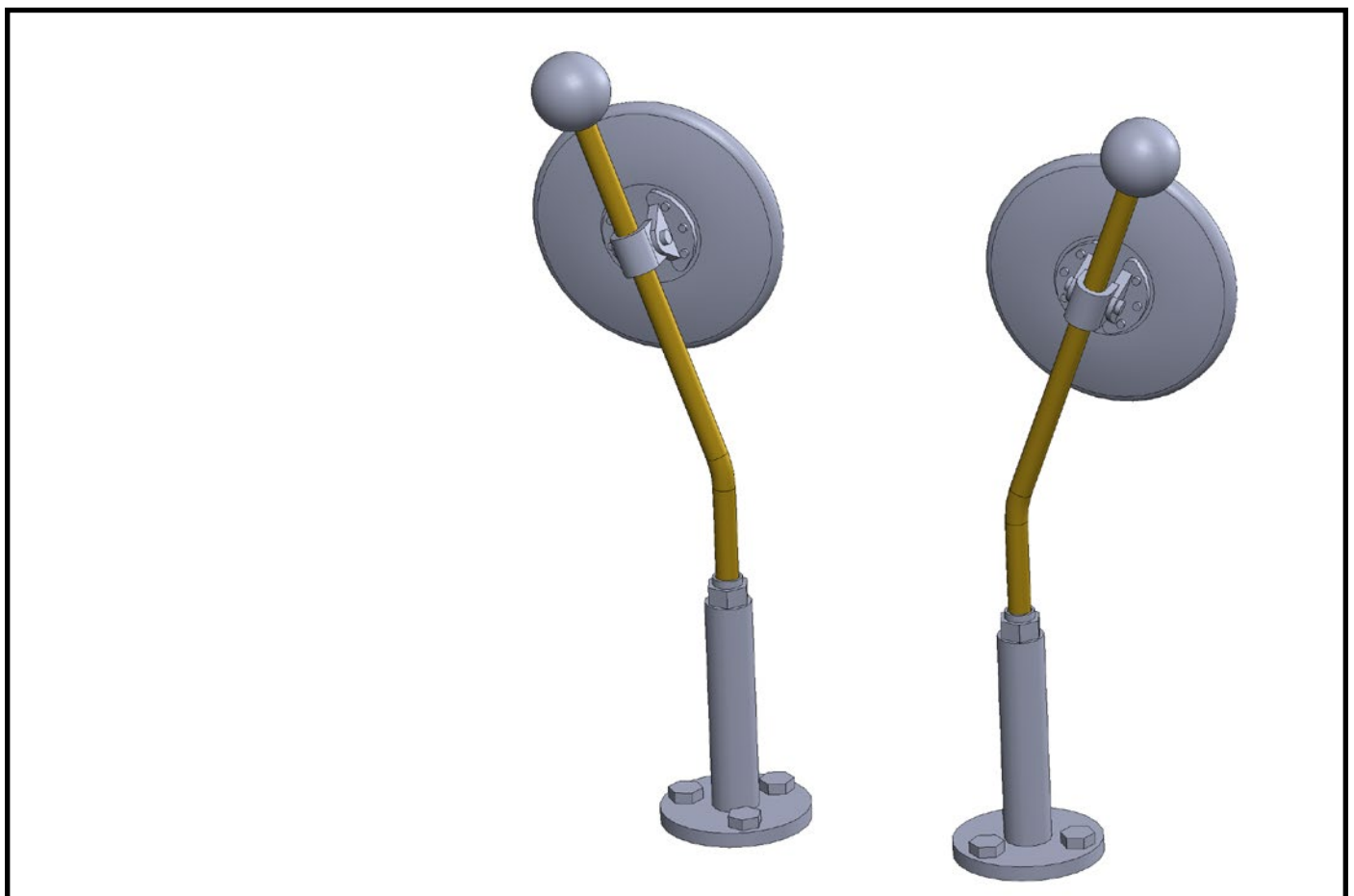
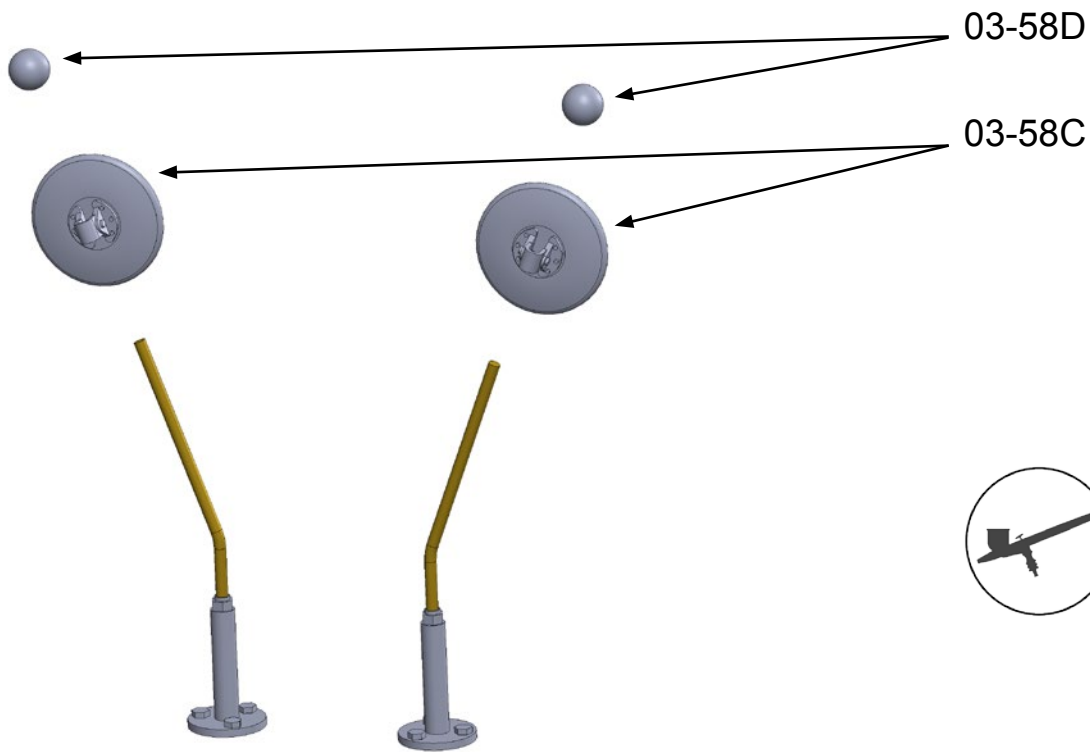
Auxiliary views for installation of parts 03-57A, 03-57B and 03-57C.



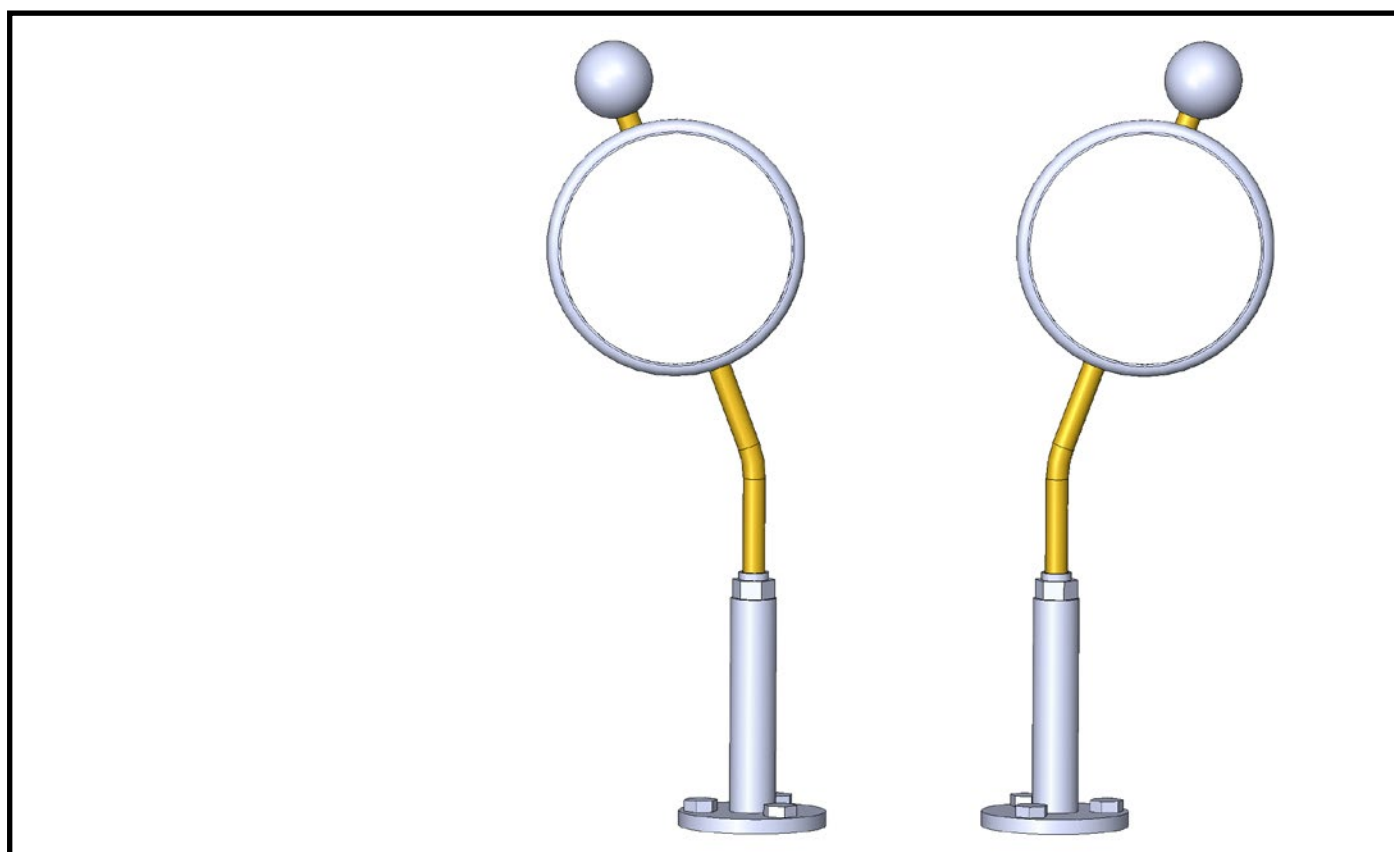
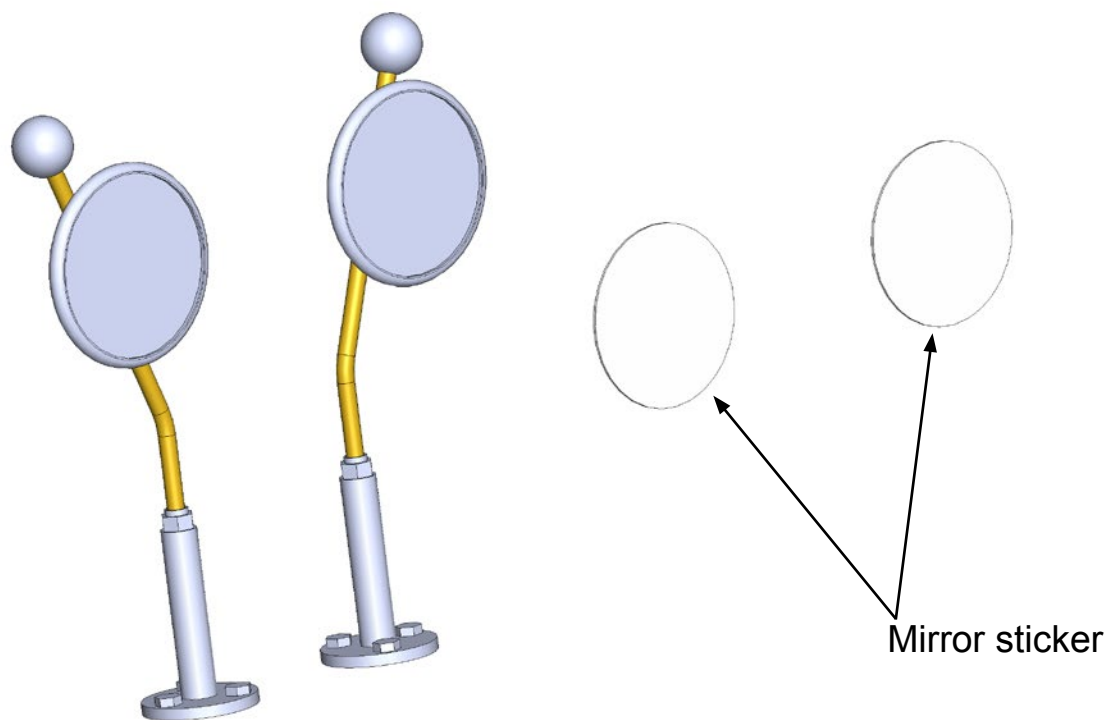
Paint all parts before this step. Perform a dry fit.
Glue assembly 03-57A+B+C to assembly 03-09 (with superglue).
Then glue part 03-57D.
We recommend gluing part 03-57D with acetone-based glue.



Insert parts 03-58A into parts 03-58B.
Adjust them so that they are mirrored to each other.

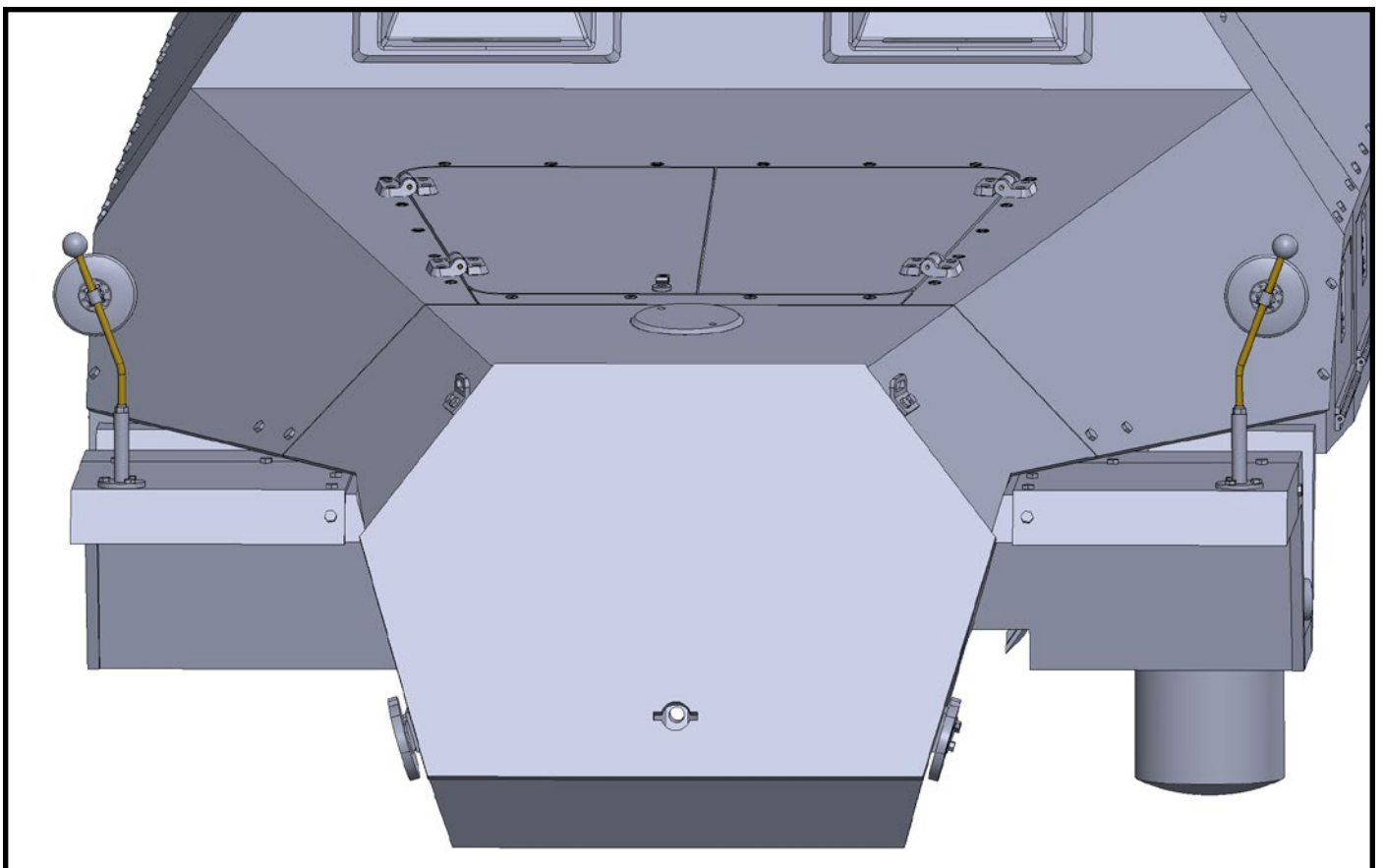
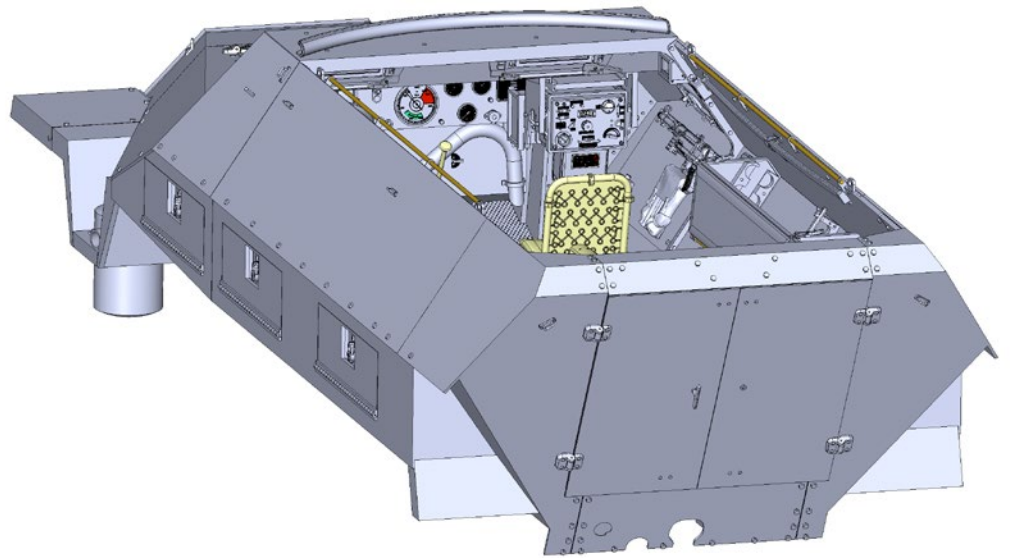
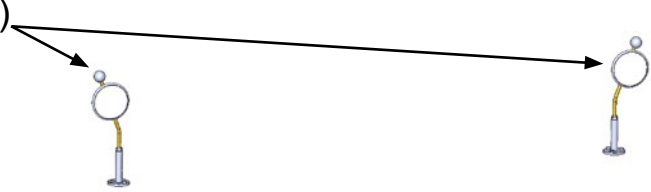


Insert parts 03-58C. You do not need to glue these parts.
Then glue parts 03-58D. Paint all parts after this step.

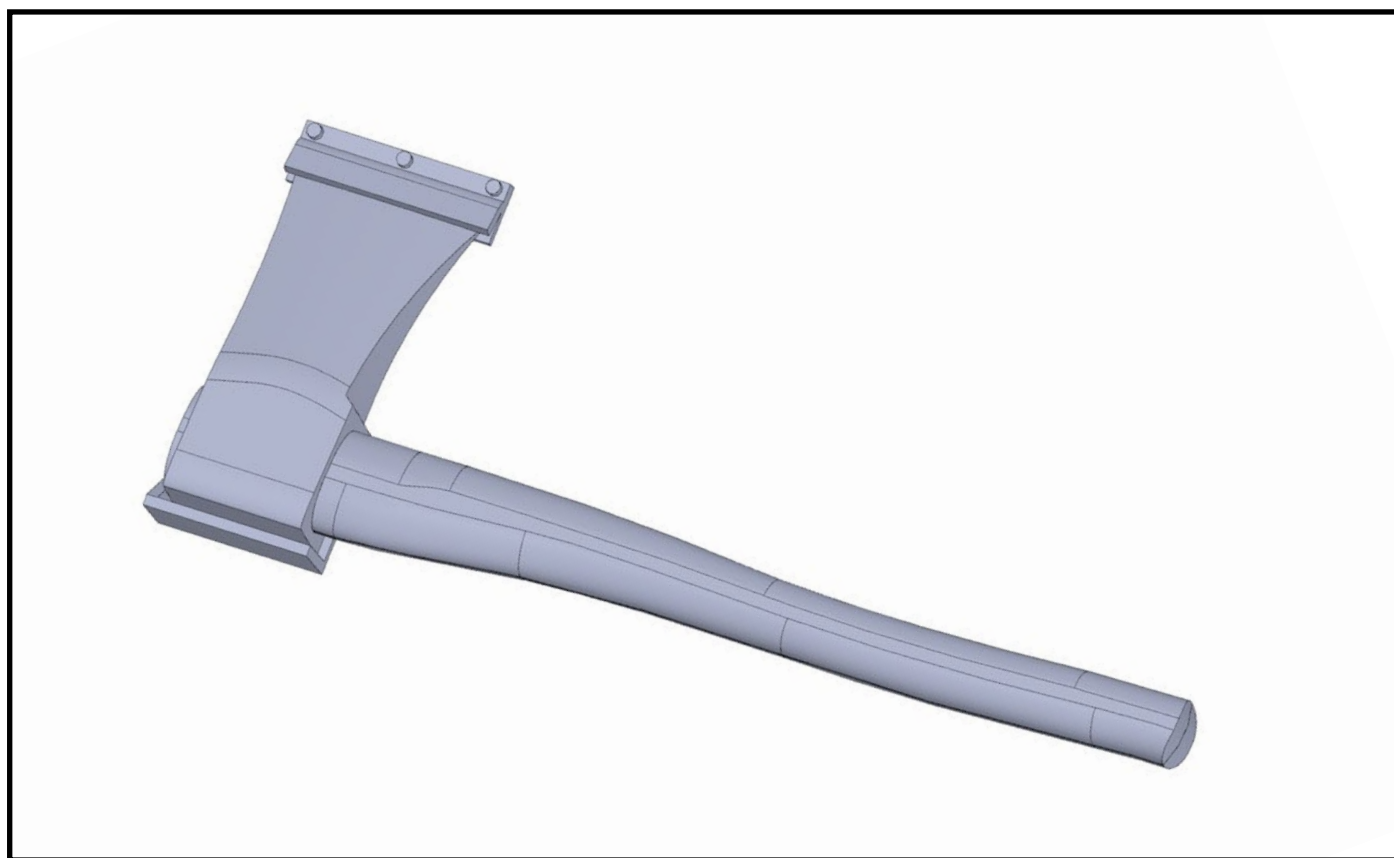
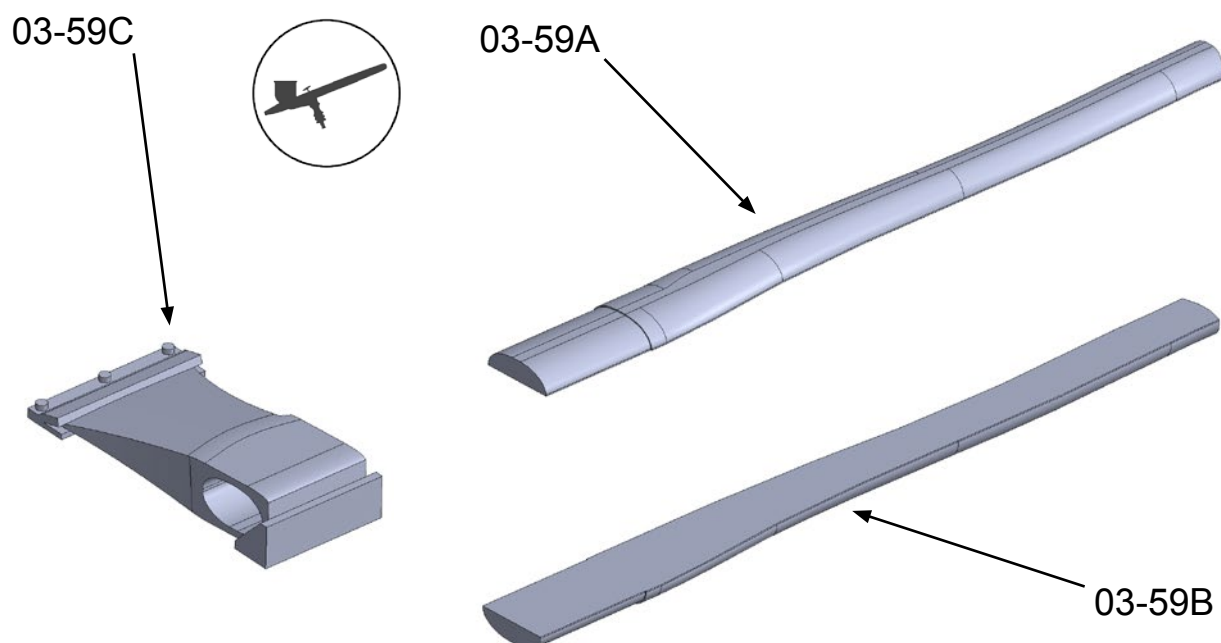


After painting, glue on the mirror stickers.

03-58 (assembled)



Glue assemblies 03-58 to assembly 03-09.

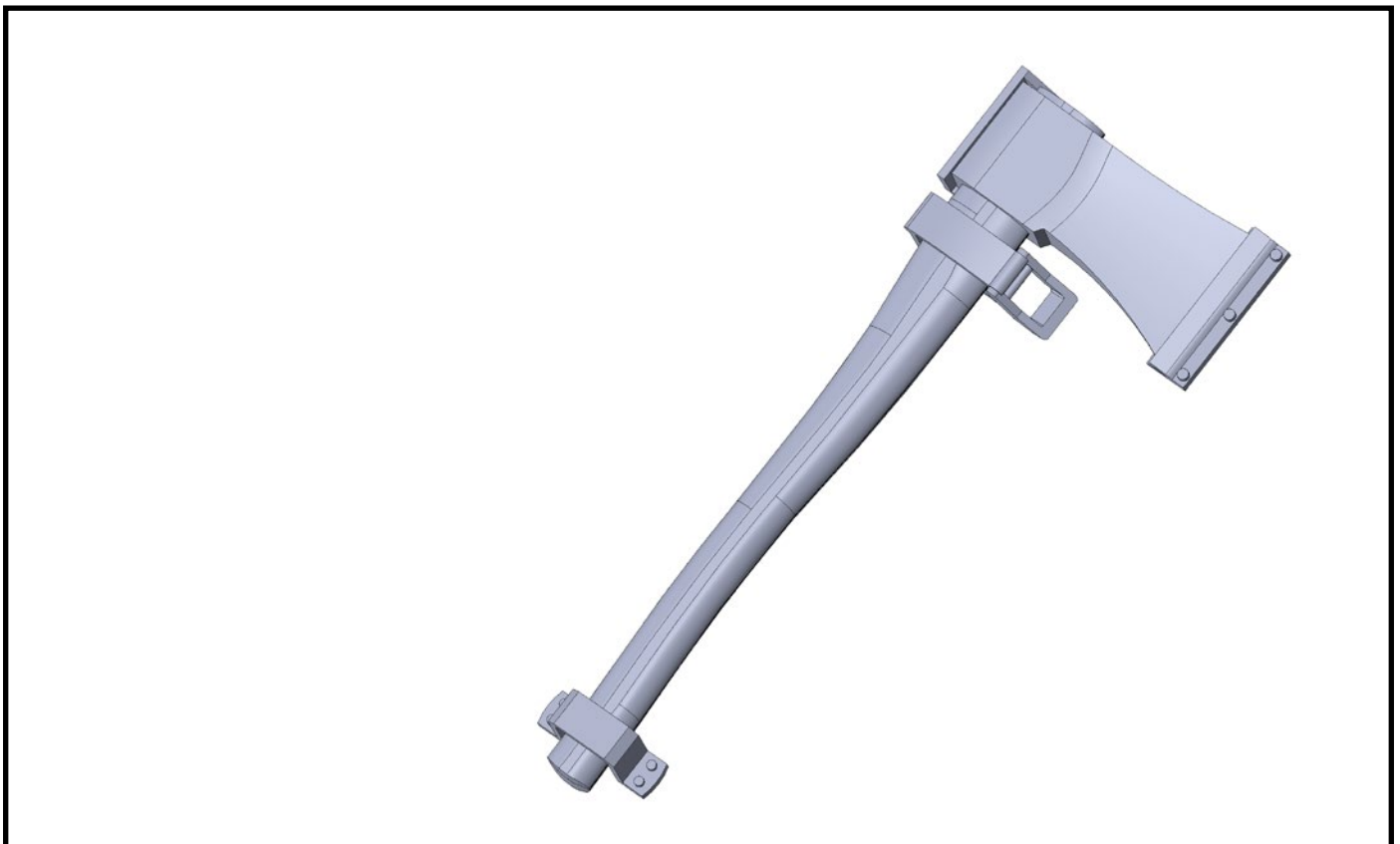
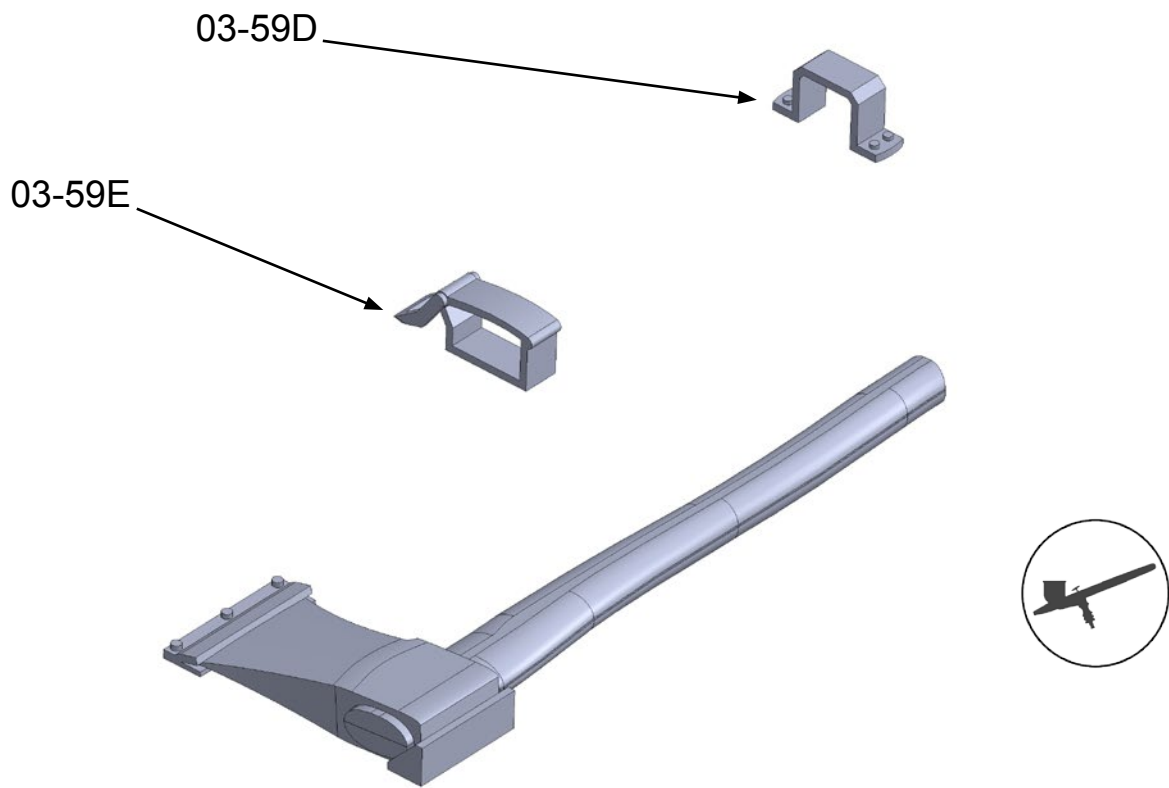


Paint part 03-59C.

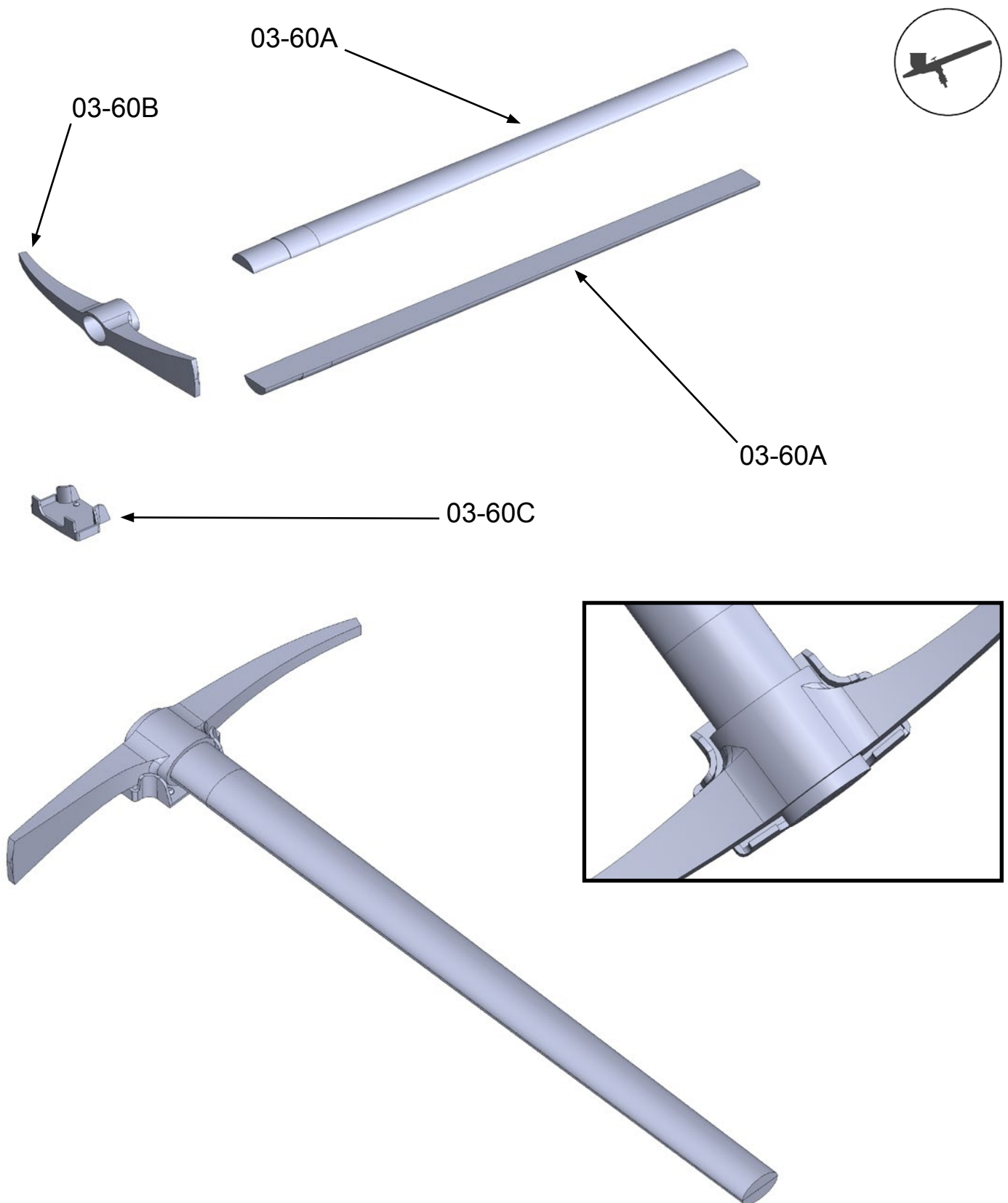
You can paint all parts of assemblies 03-59 and 03-60 in advance.

Glue parts 03-59A and 03-59B together and paint with wood varnish.

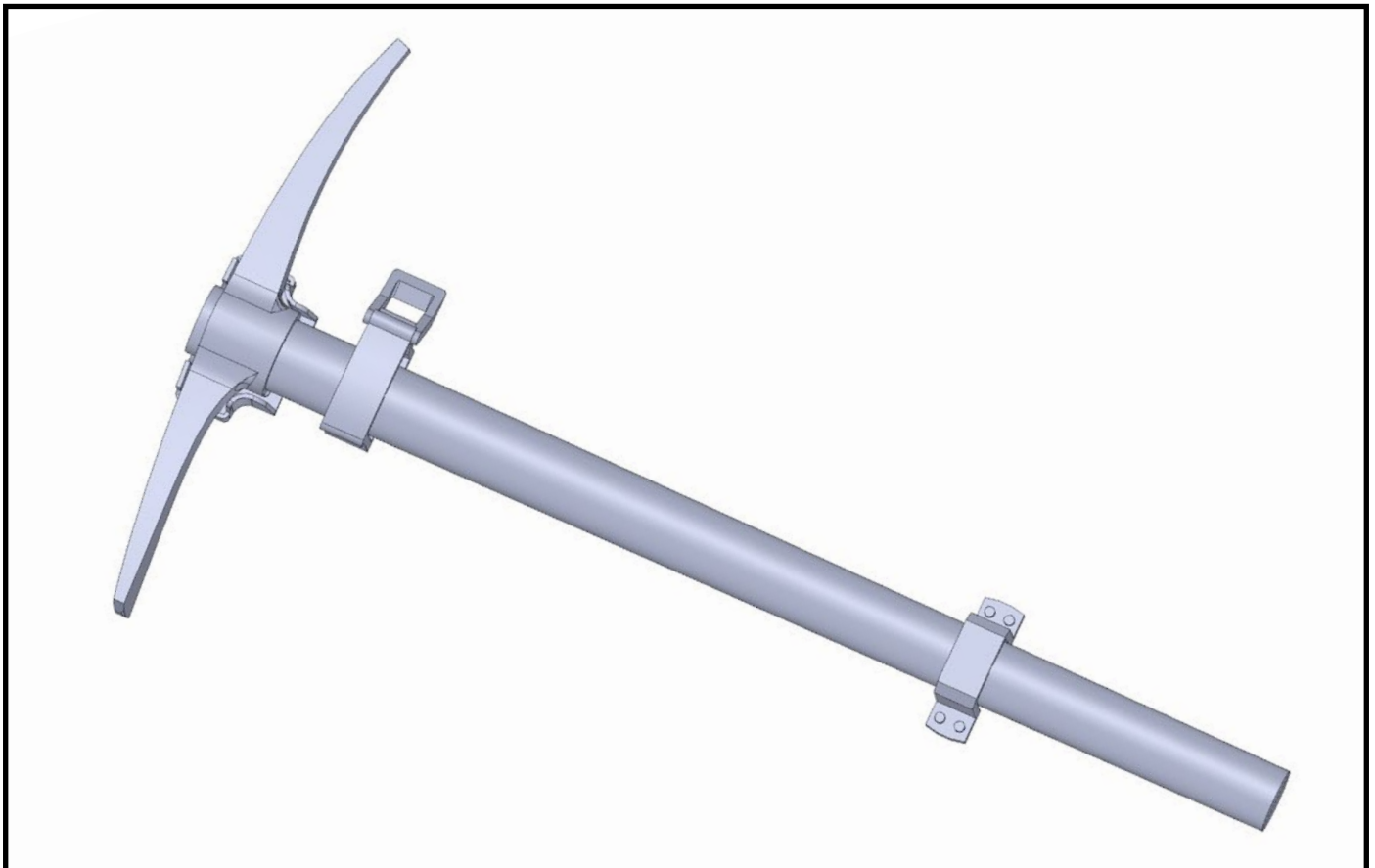
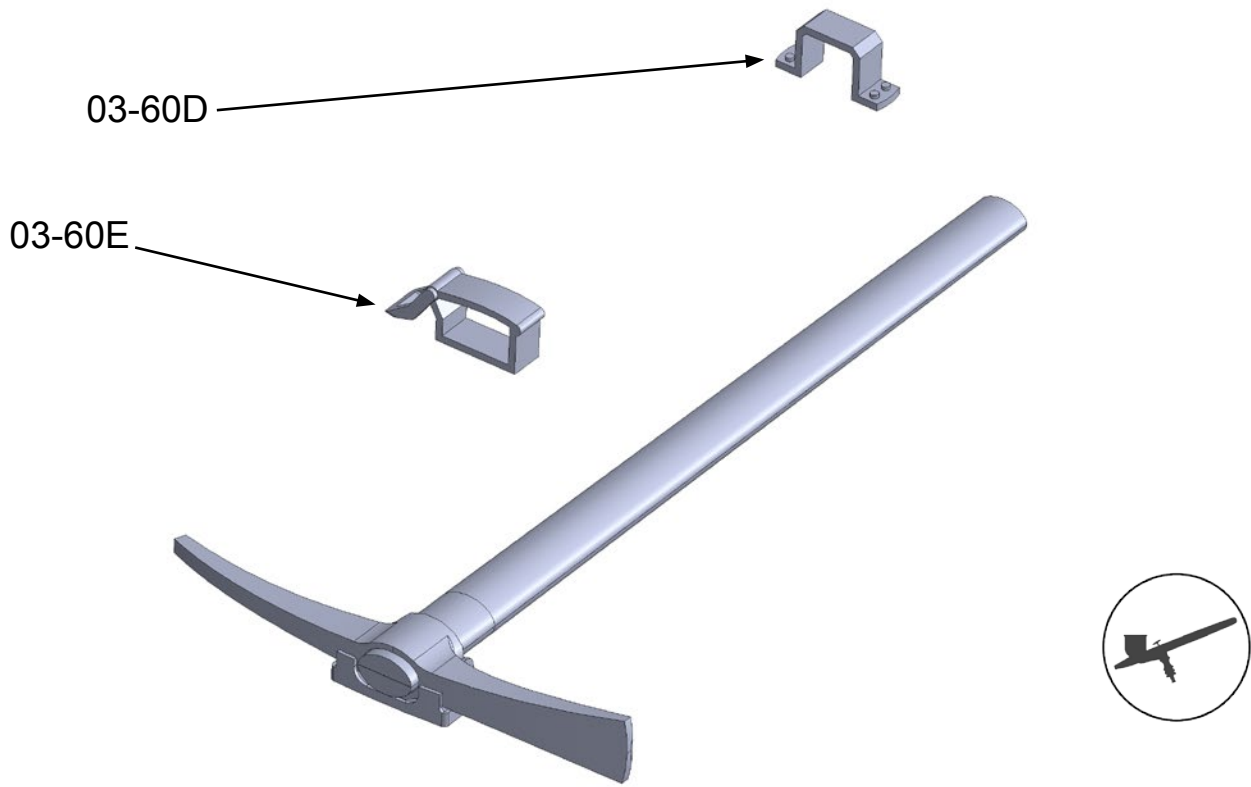
Then glue part 03-59C to parts 03-59A and 03-59B.



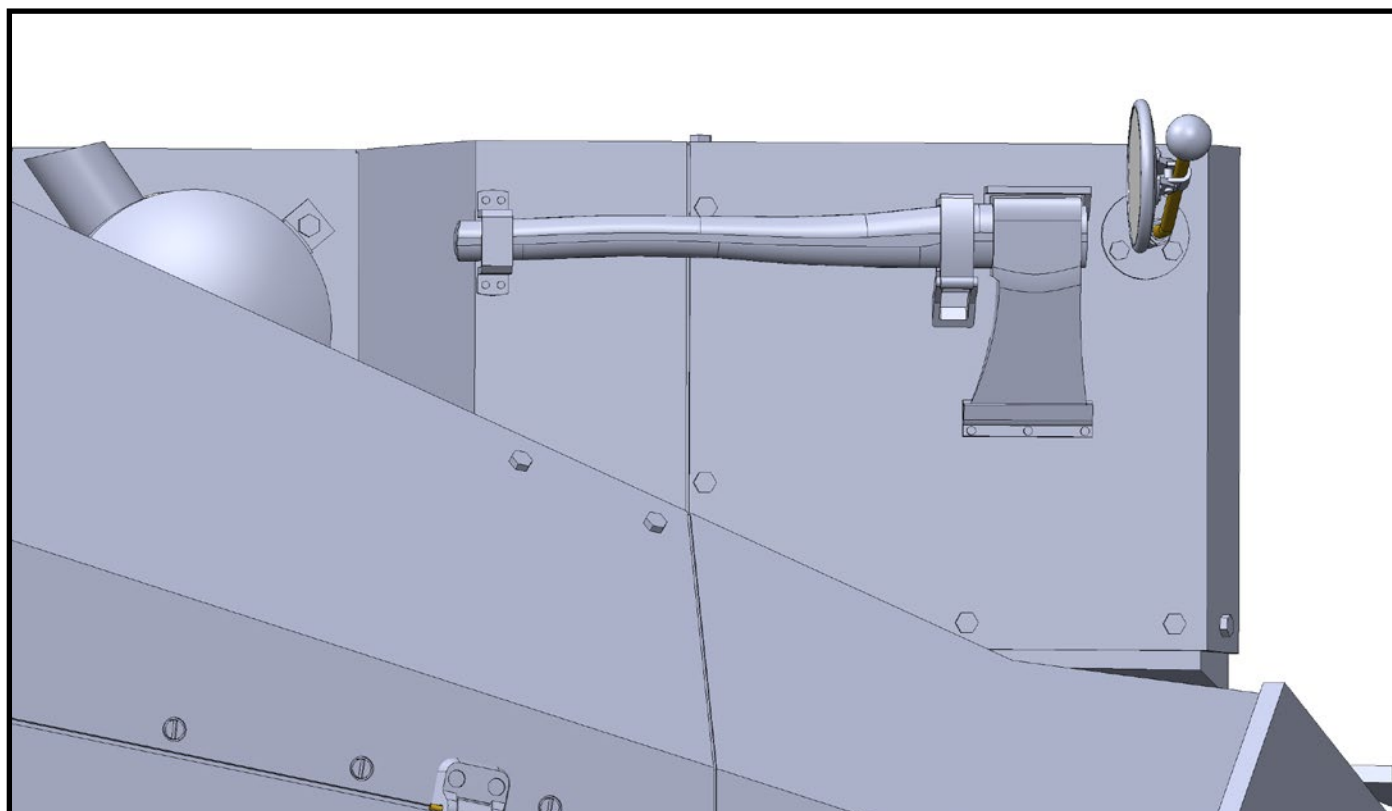
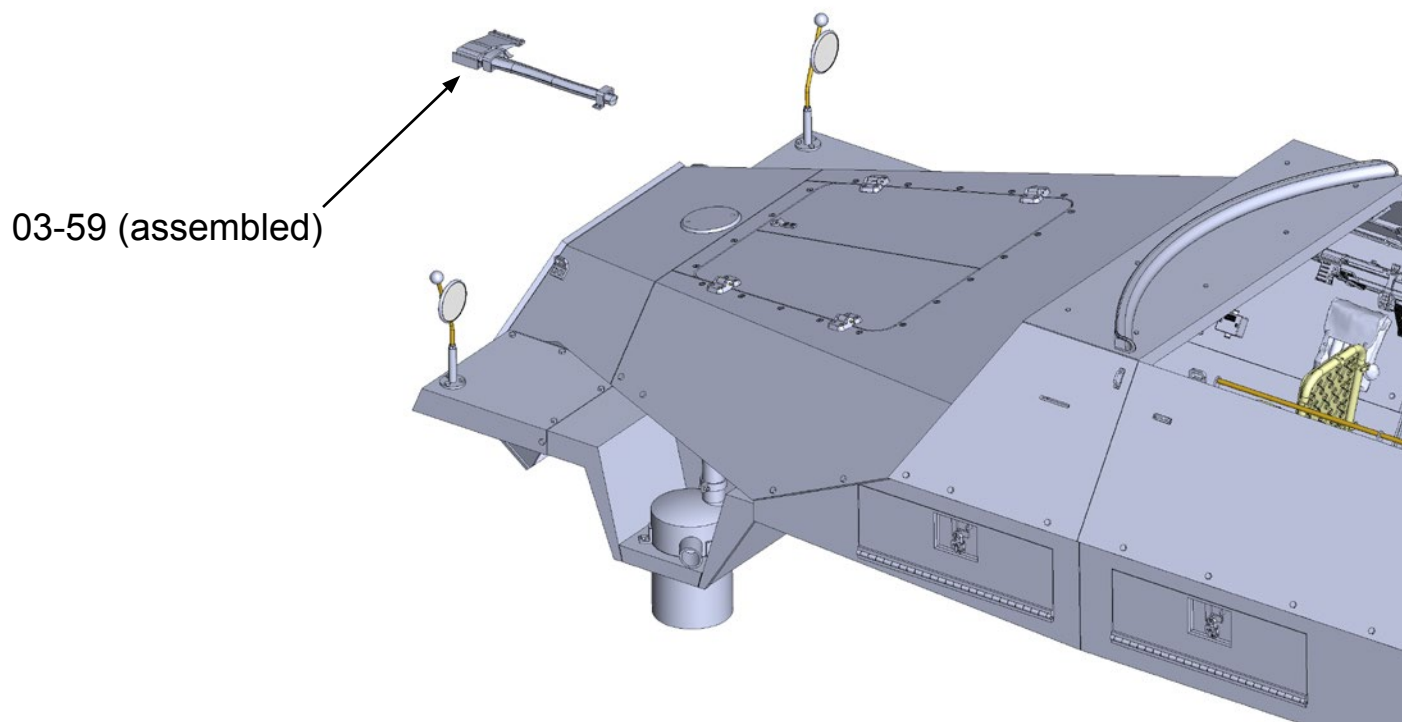
Paint parts 03-59D and 03-59E. We recommend not gluing the parts together yet.



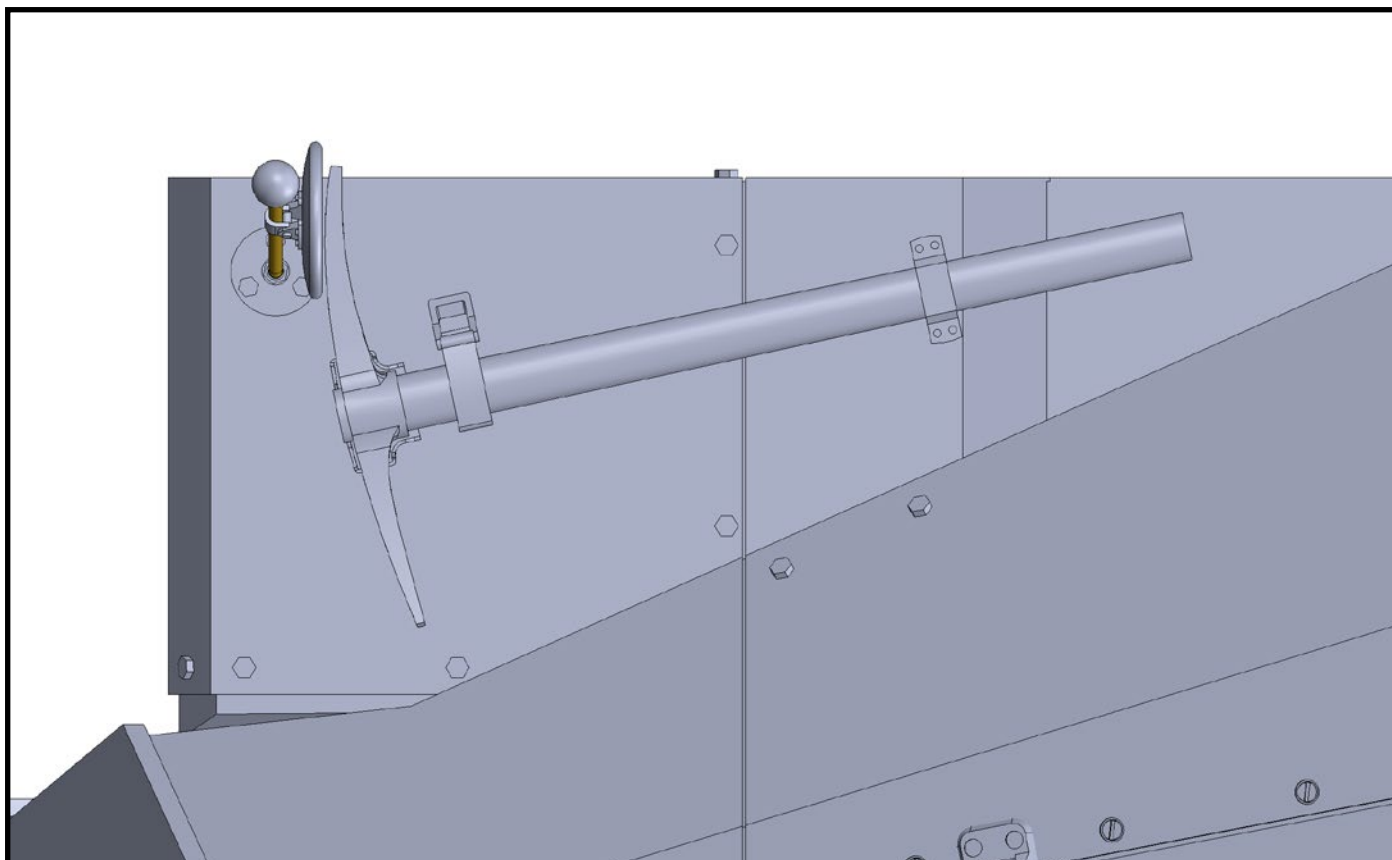
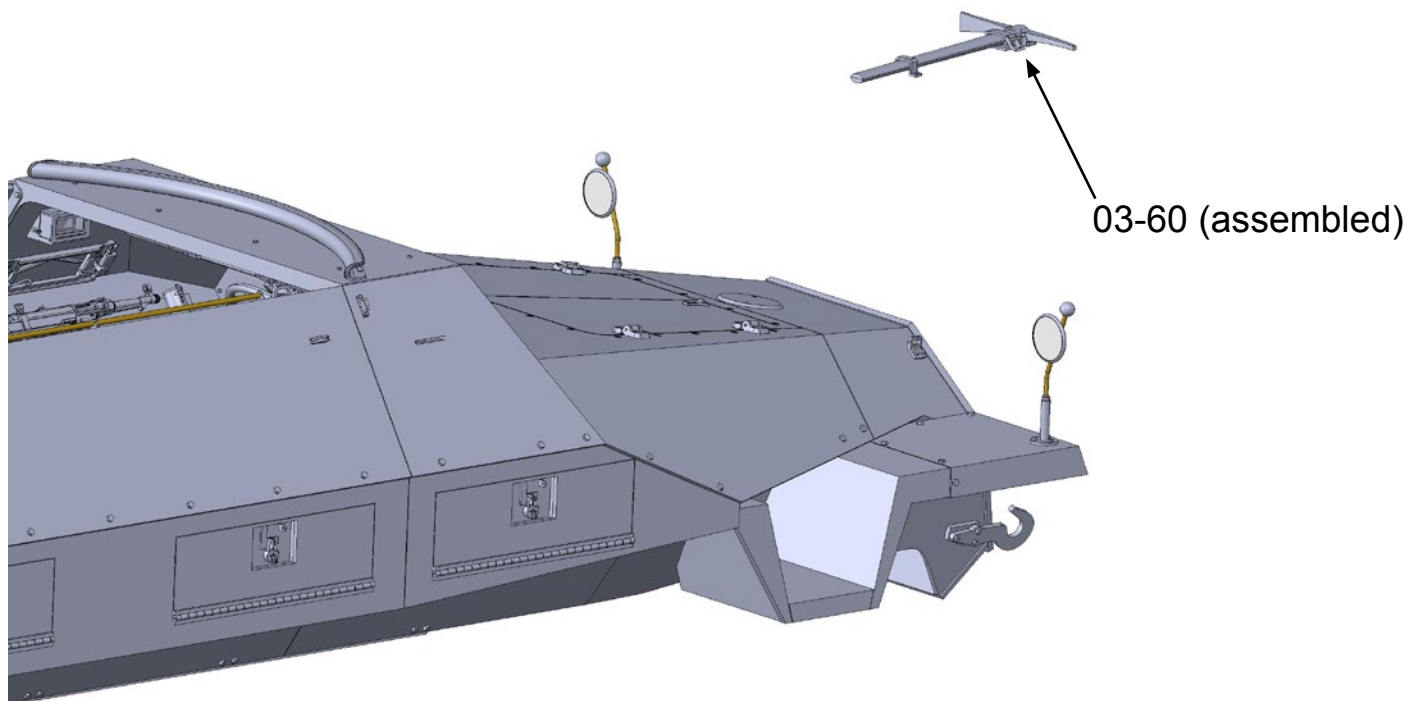
Glue parts 03-60A together and paint with wood varnish.
Paint parts 03-60B and 03-60C.
Then glue all parts together.



Paint parts 03-60D and 03-60E. We recommend not gluing the parts together yet.

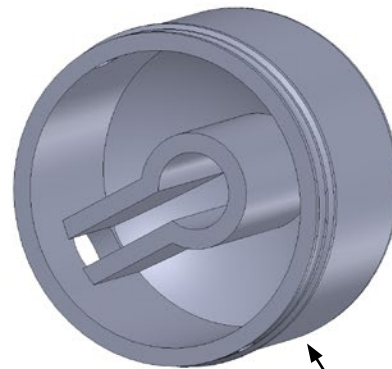
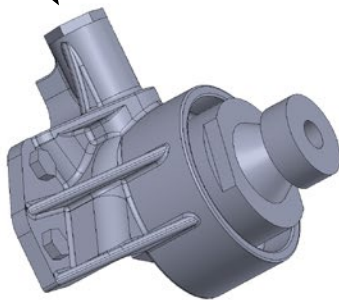


Glue assembly 03-59 to assembly 03-09. Perform a dry fit.

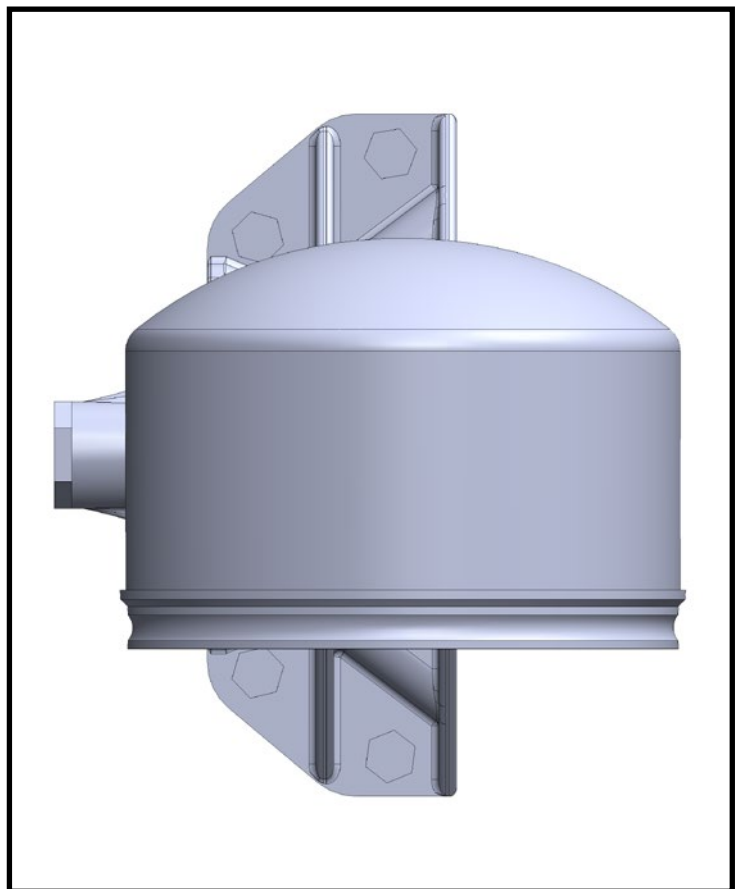
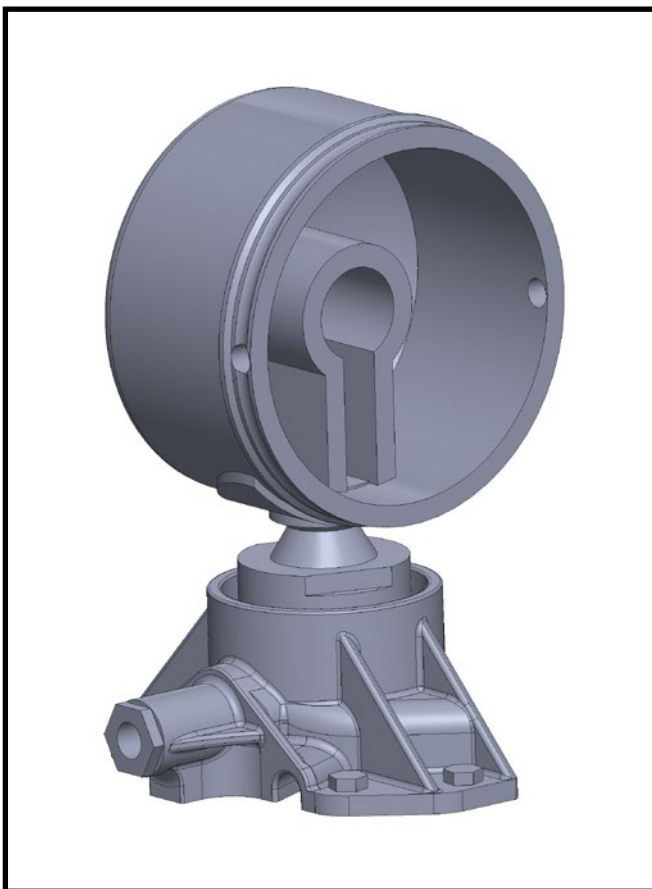


Glue assembly 03-60 to assembly 03-09. Perform a dry fit.

03-61B

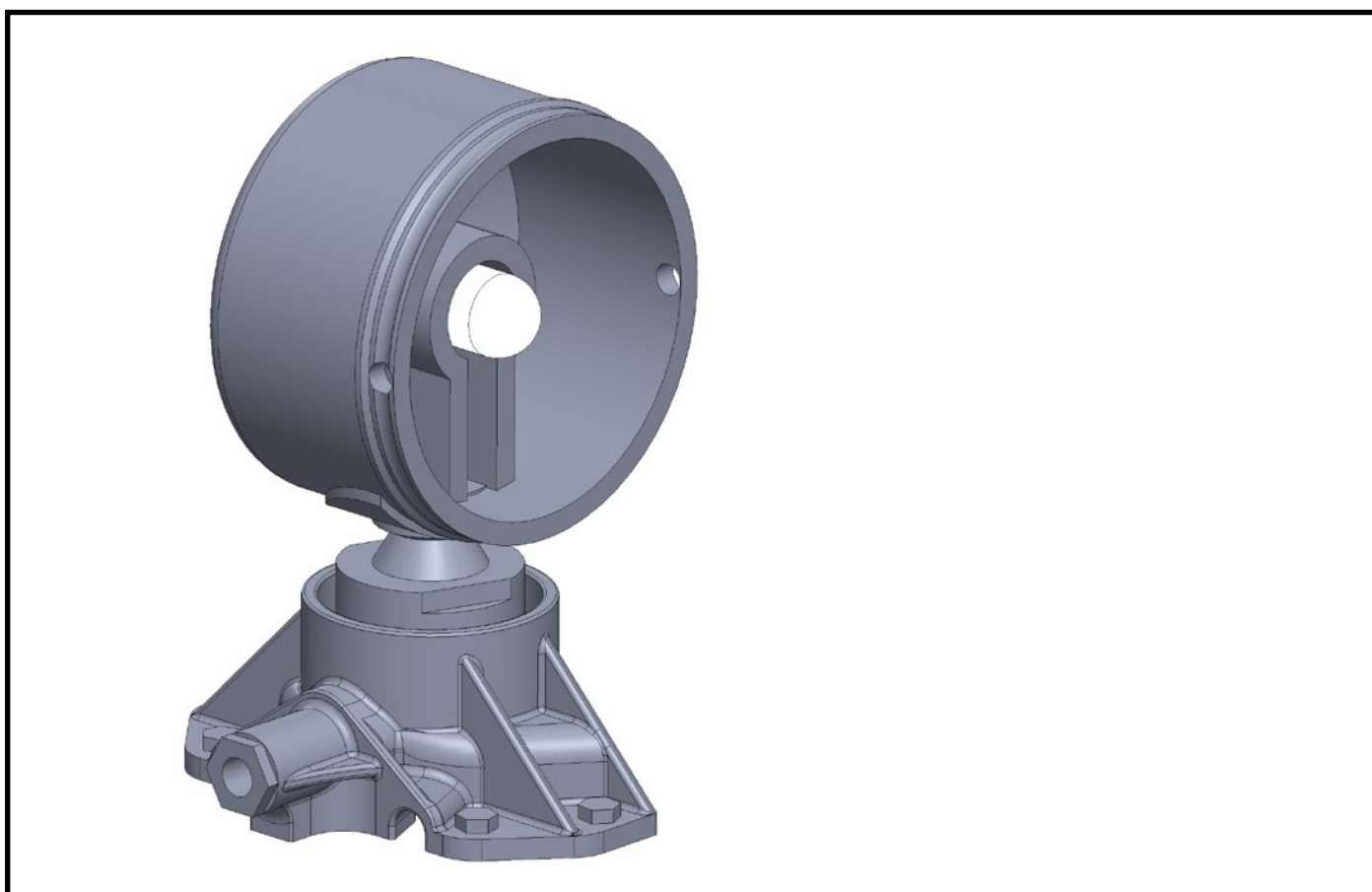
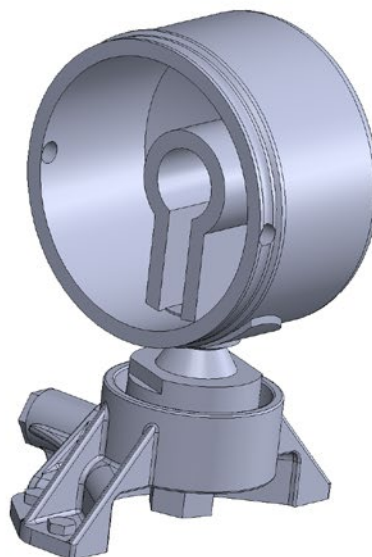


03-61A

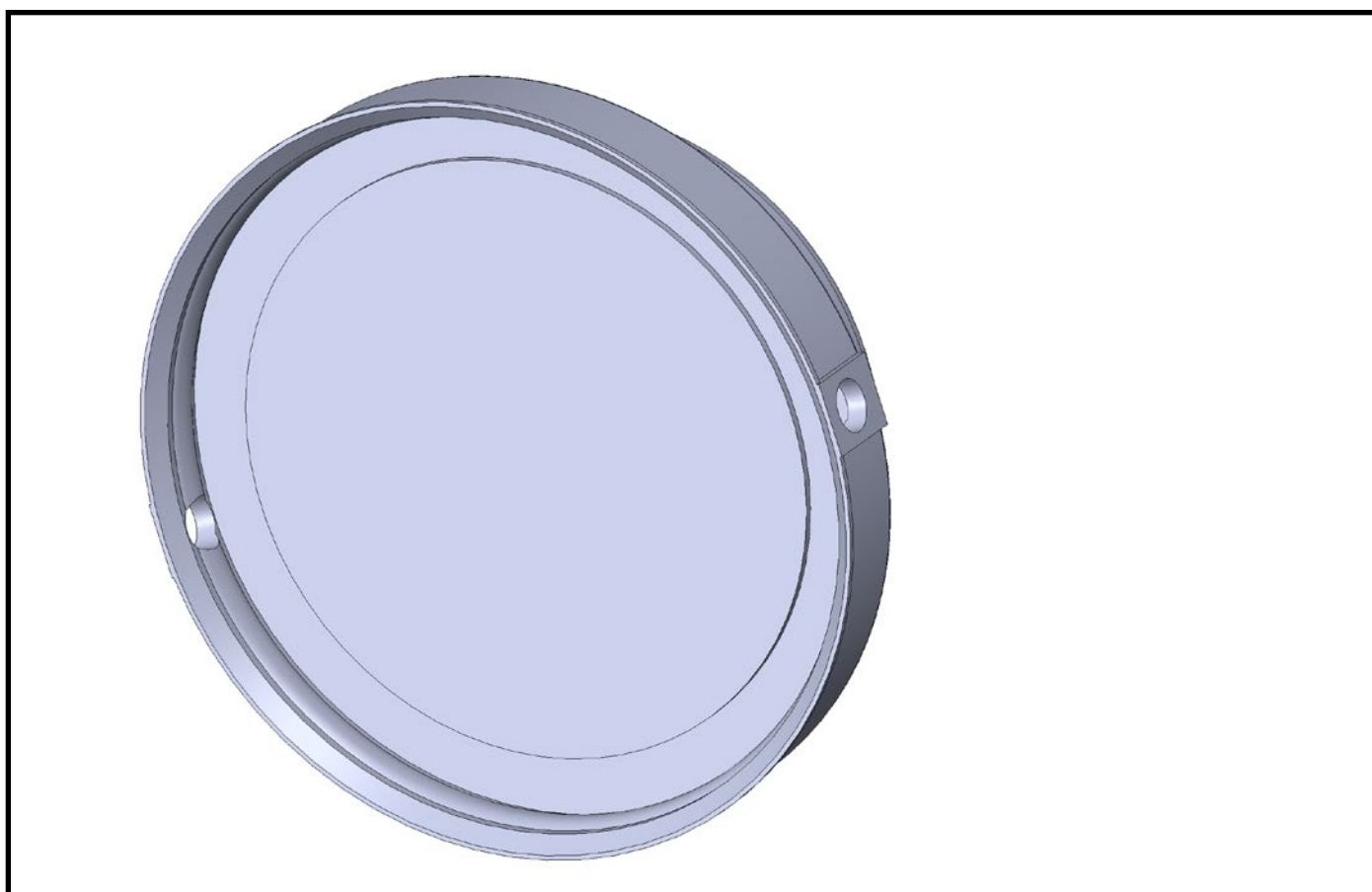
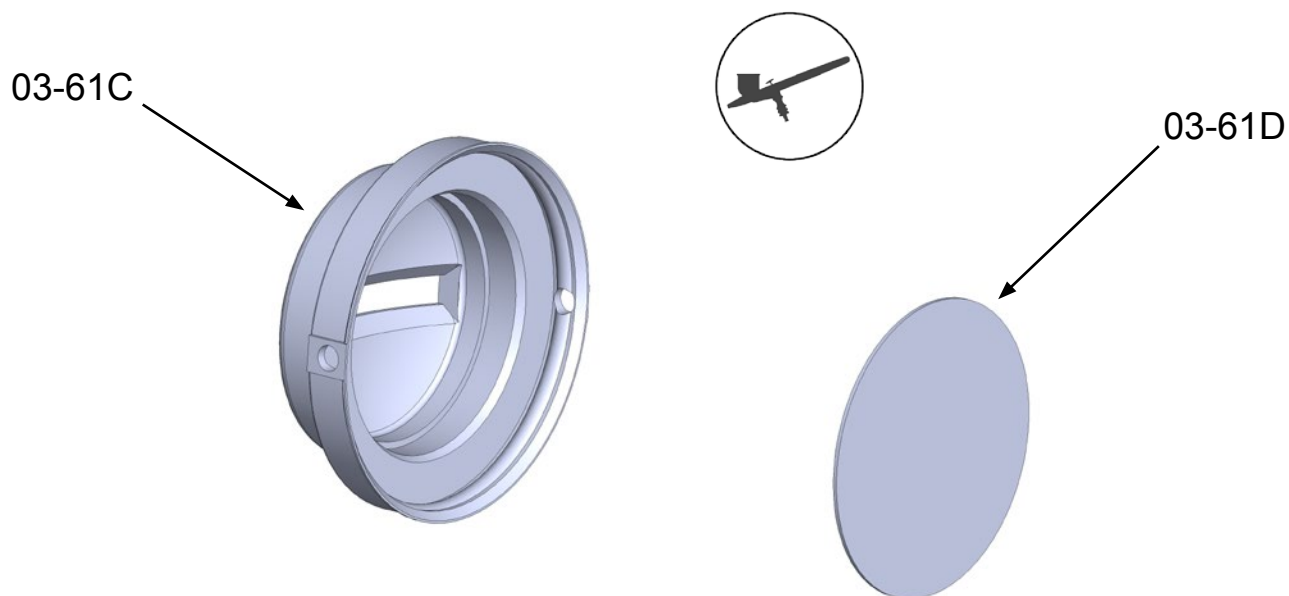


Glue part 03-61A to part 03-61B. Perform a dry fit. Align them carefully.
Paint all parts after this step.

5mm LED

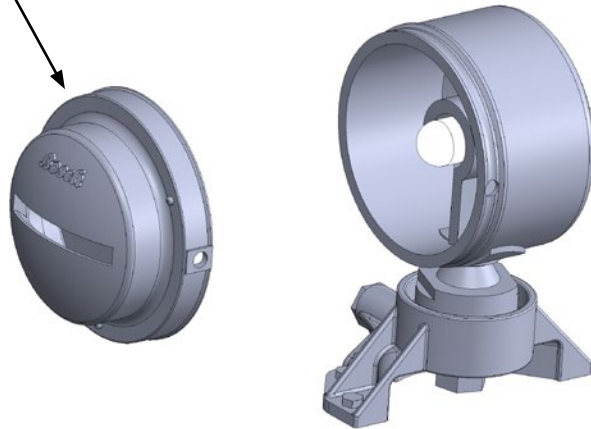


Place the pre-wired 5mm LED into part 03-61A.

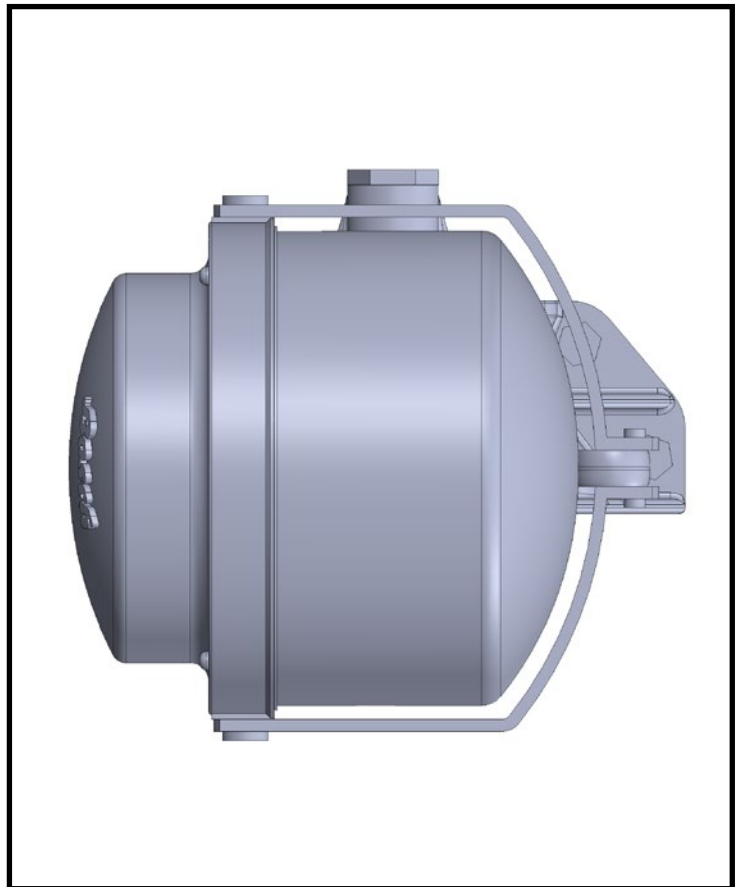
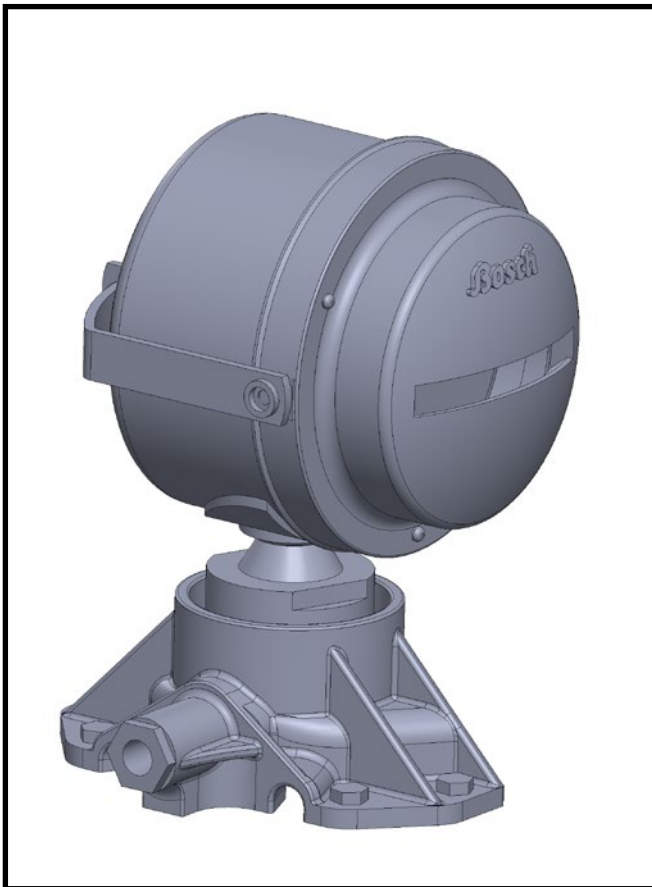


Glue part 03-61C to part 03-61D. Paint part 03-61C before this step.

03-61C+D

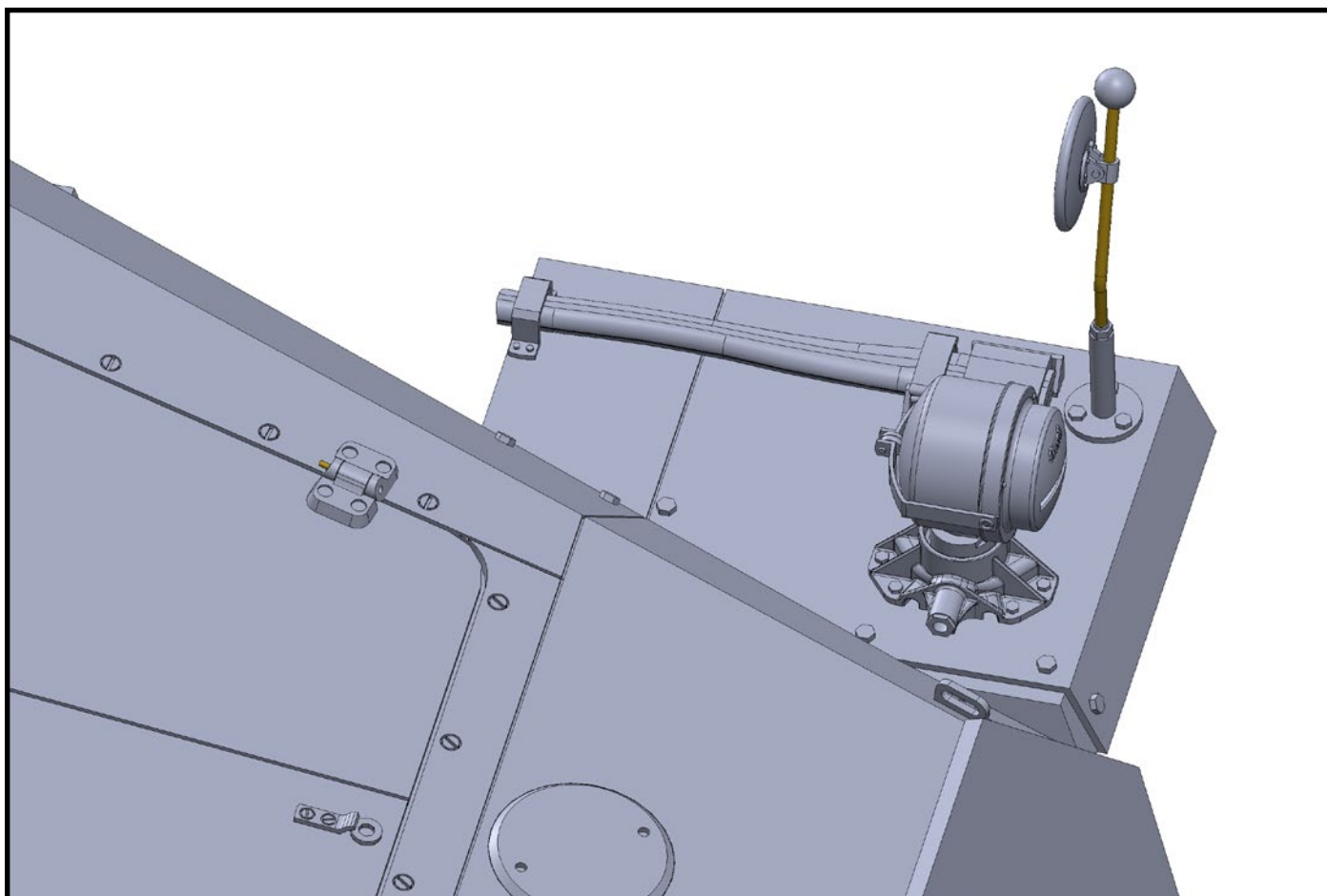
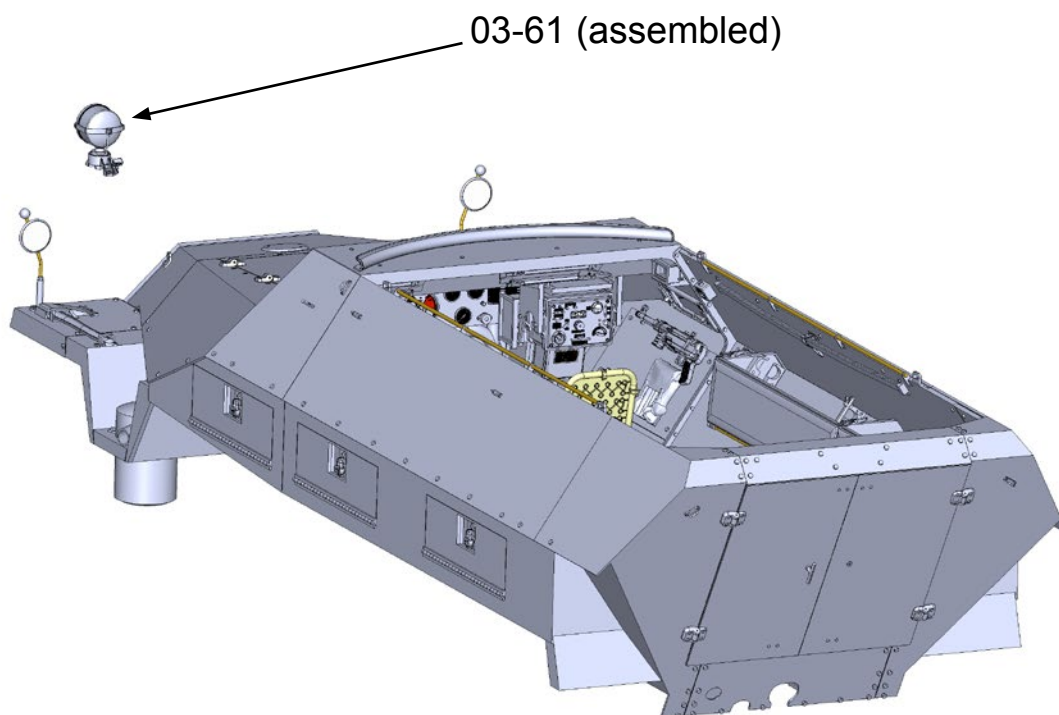


03-61E

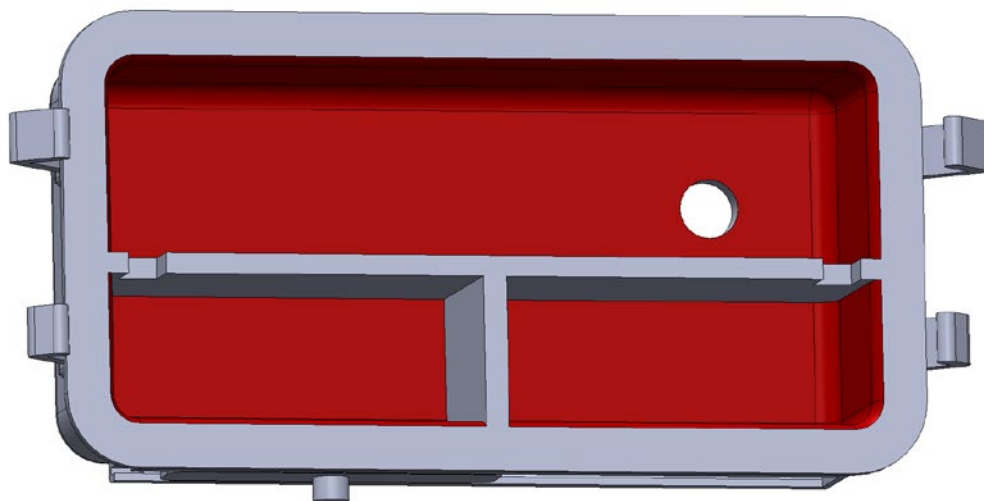
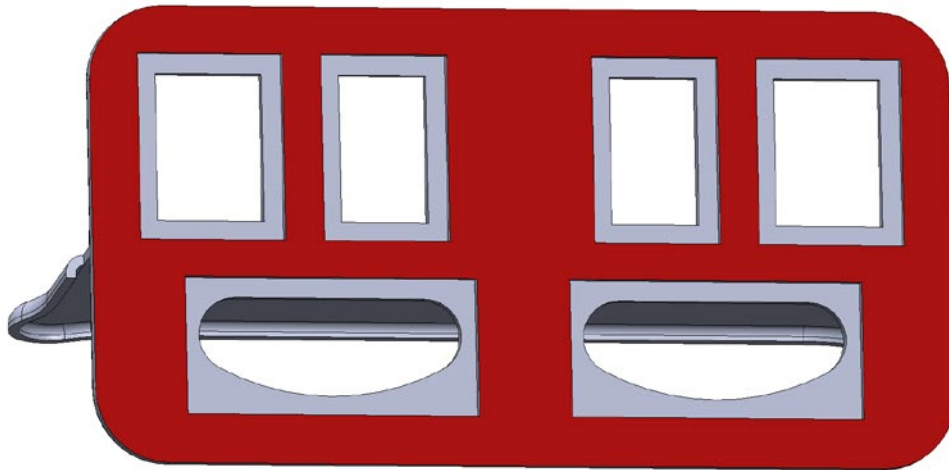


Simply click assembly 03-61C+D and part 03-61E onto part 03-61A.

Do not use glue for this step,
as it will make servicing or swapping the LED impossible.



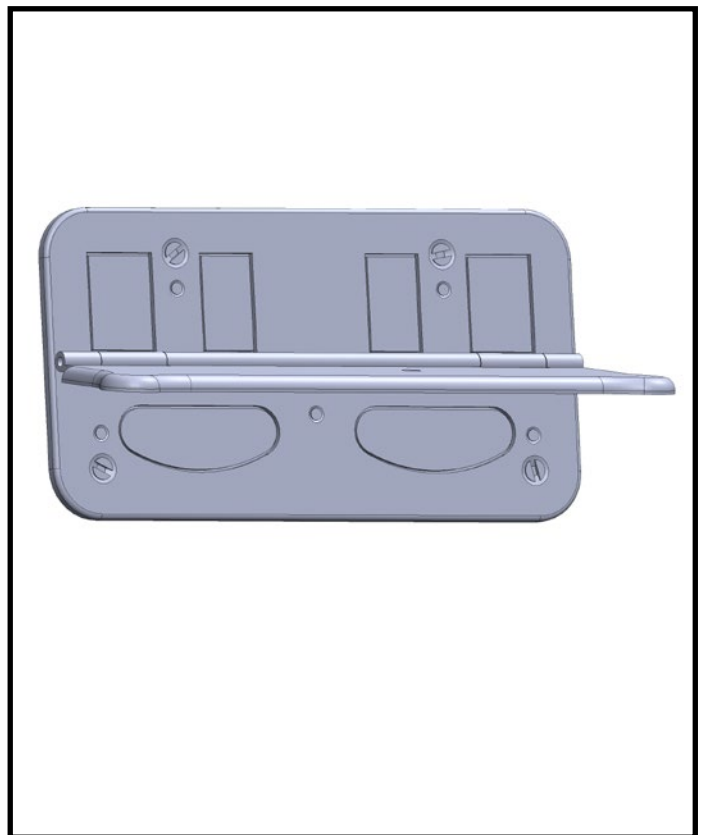
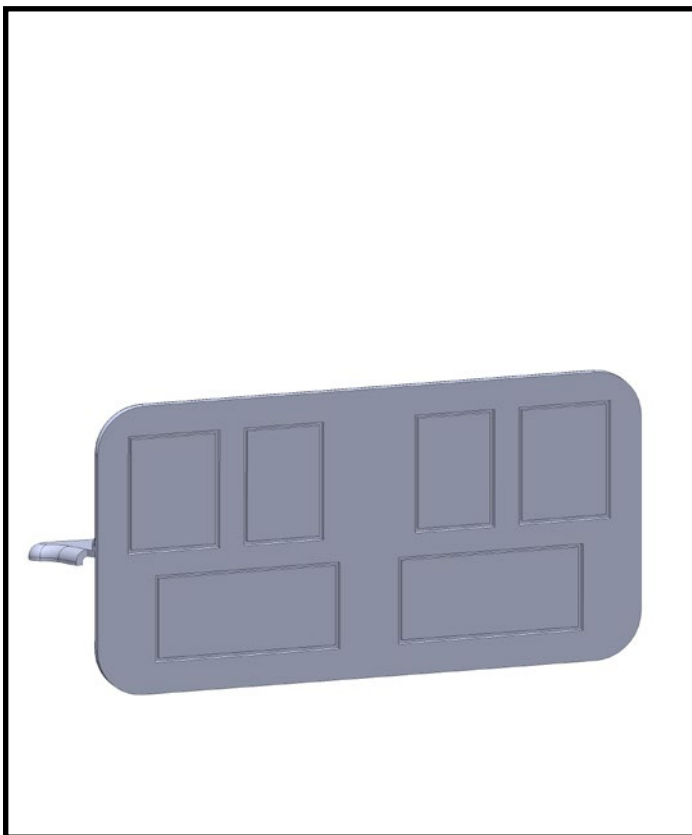
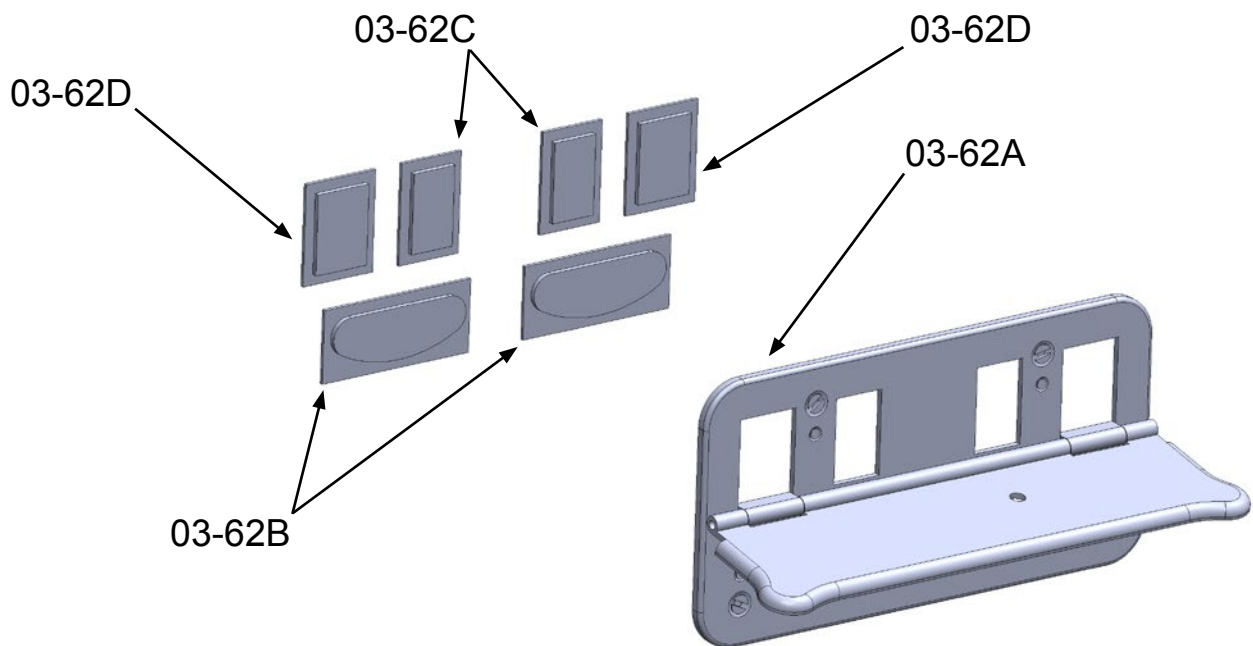
Glue assembly 03-61 to assembly 03-09.



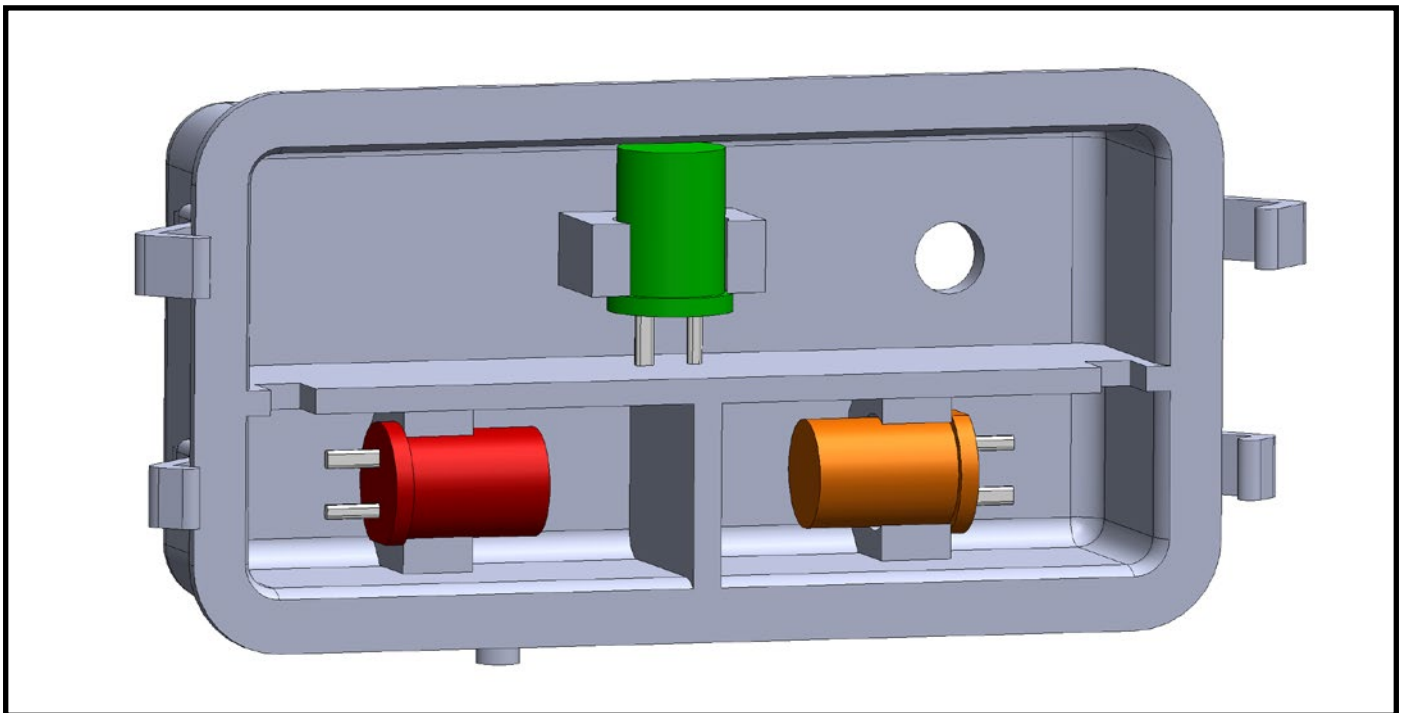
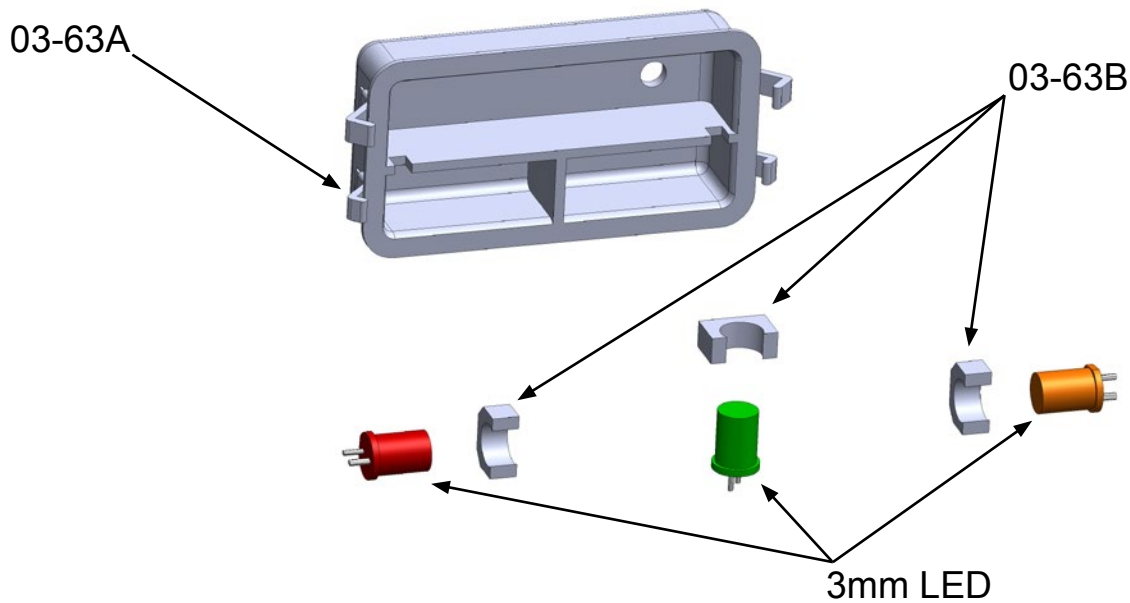
We recommend painting the areas marked in red with nail polish before beginning assembly.

This will ensure that light does not shine through in places where it is undesirable.

Paint parts 03-62A and 03-63A.

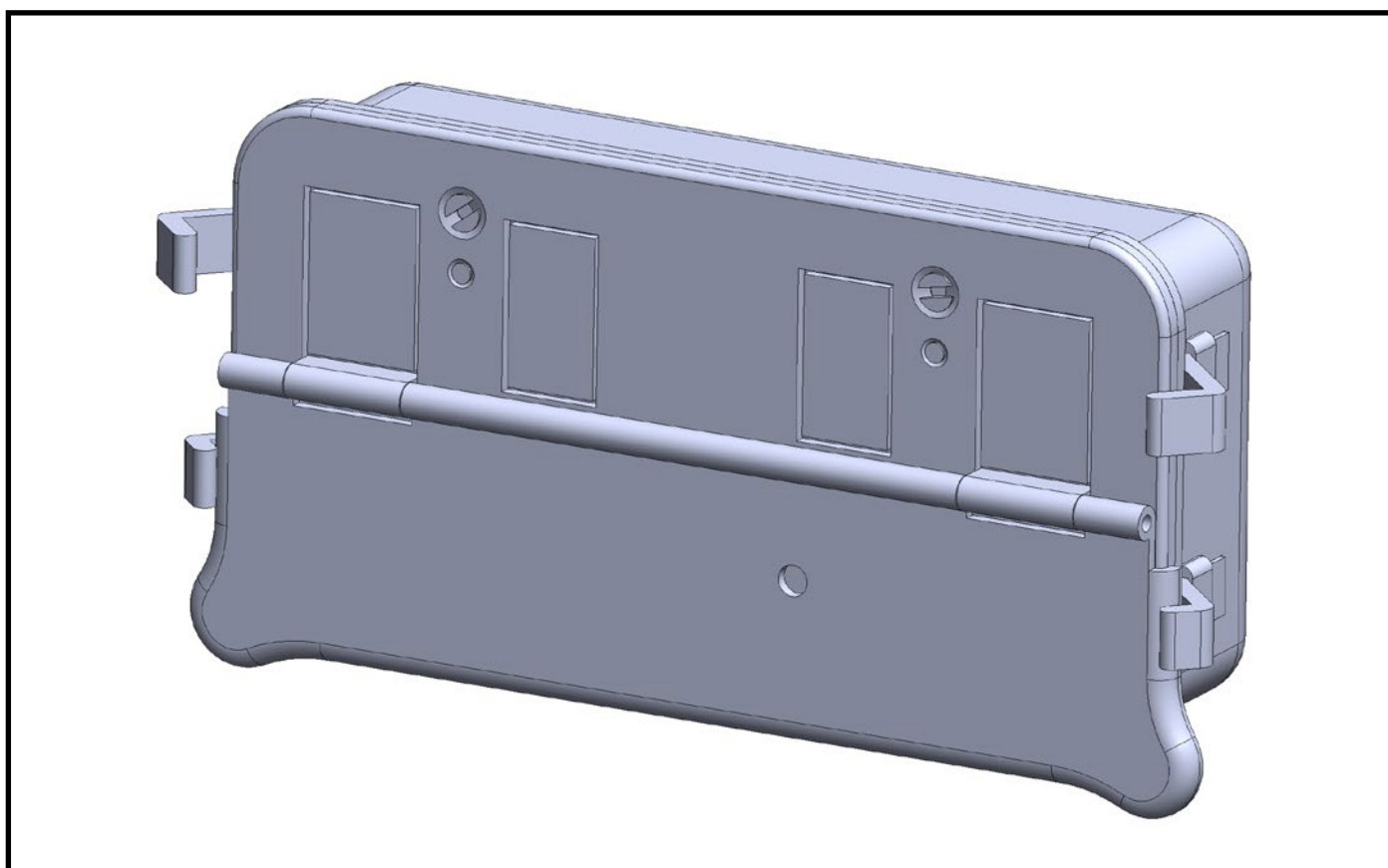
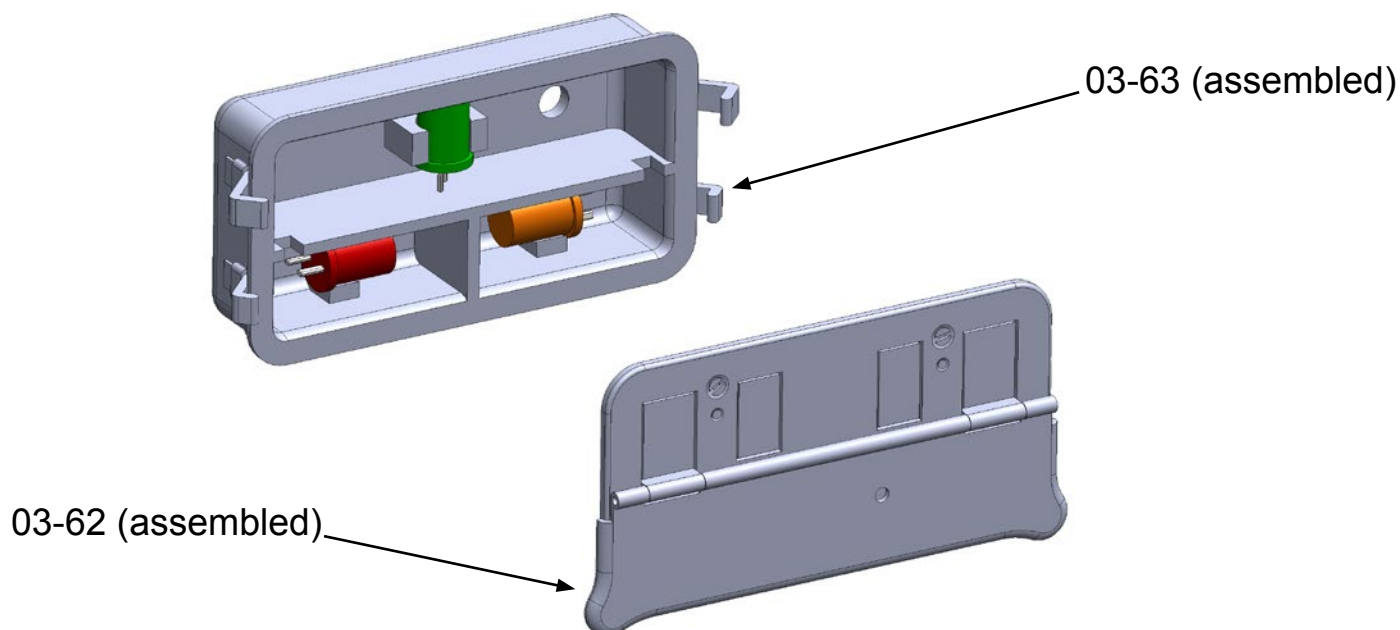


Glue parts 03-62B, 03-62C, and 03-62D to part 03-62A.
Perform a dry fit.



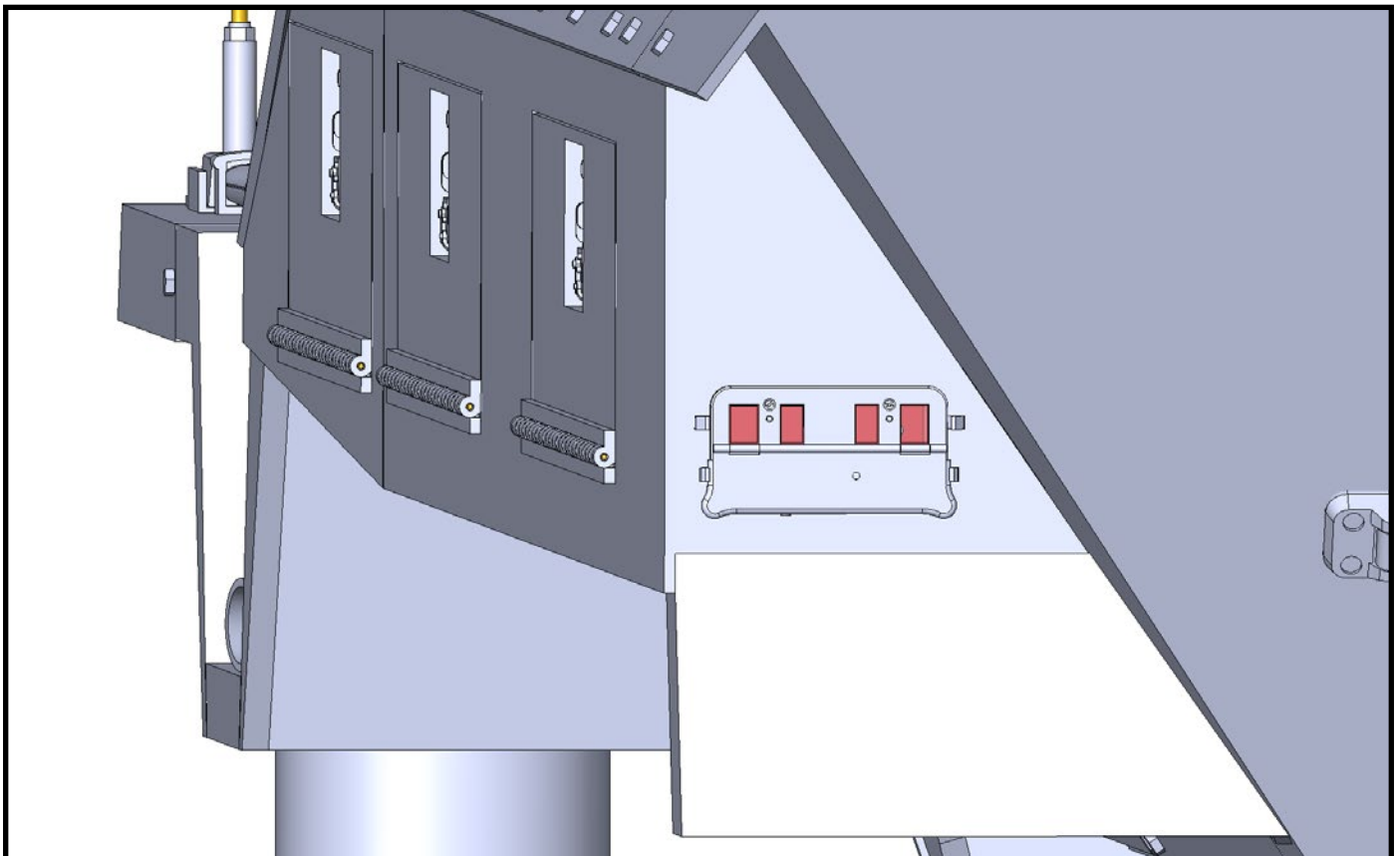
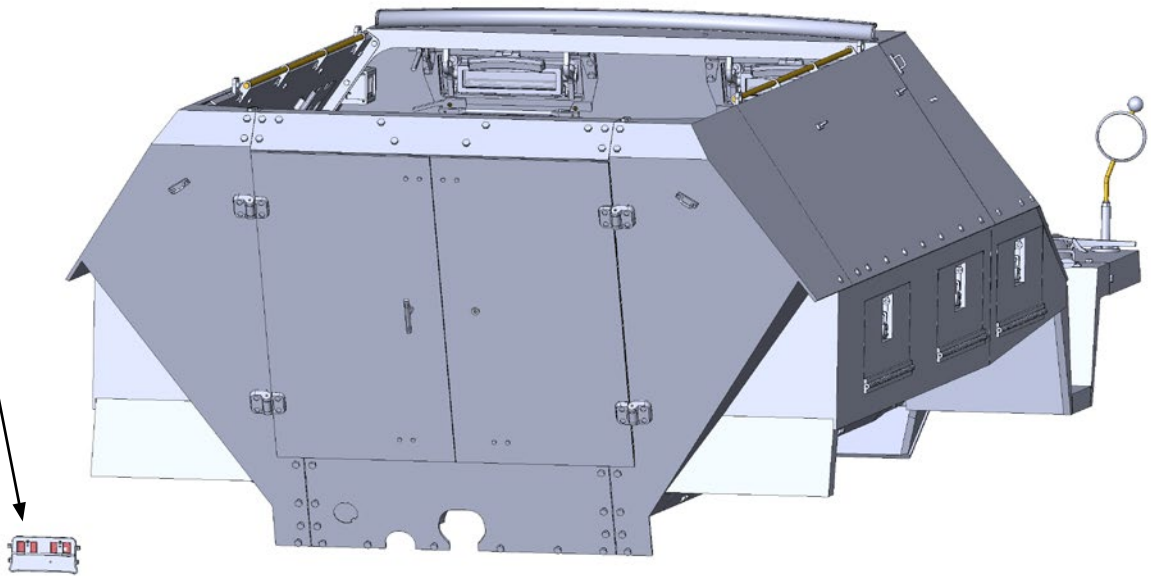
Glue the 3mm diodes into parts 03-63B.
 Then glue parts 03-63B to part 03-63A.
 Pull the cables through the hole on the back of part 03-63A.

Test the LEDs and make sure everything is OK.
Green light - to be used when driving at night in a convoy.
Red light (on the left) - tail light.
Orange light (on the right side) - brake light. This light can also be red.

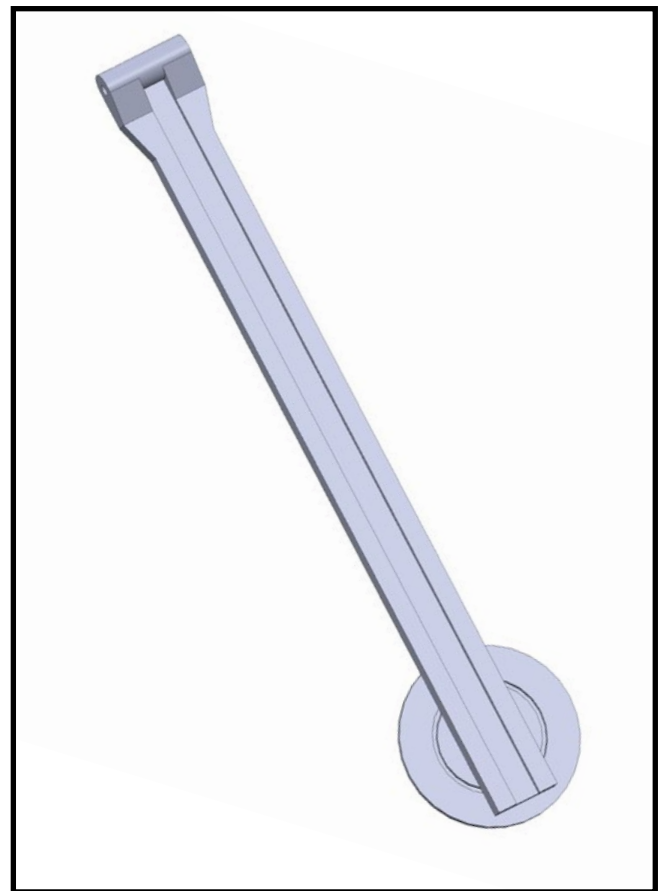
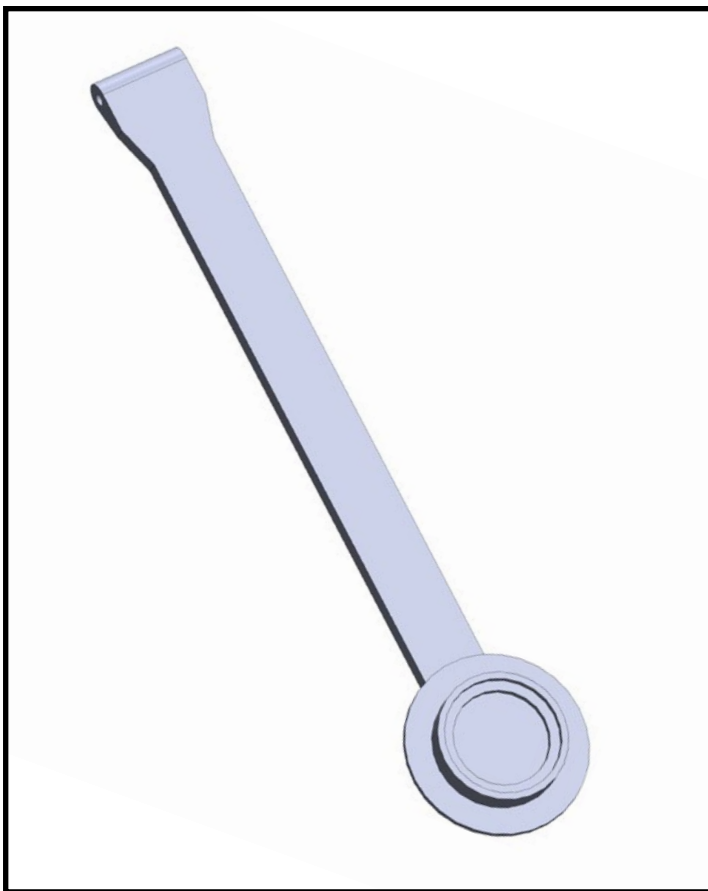
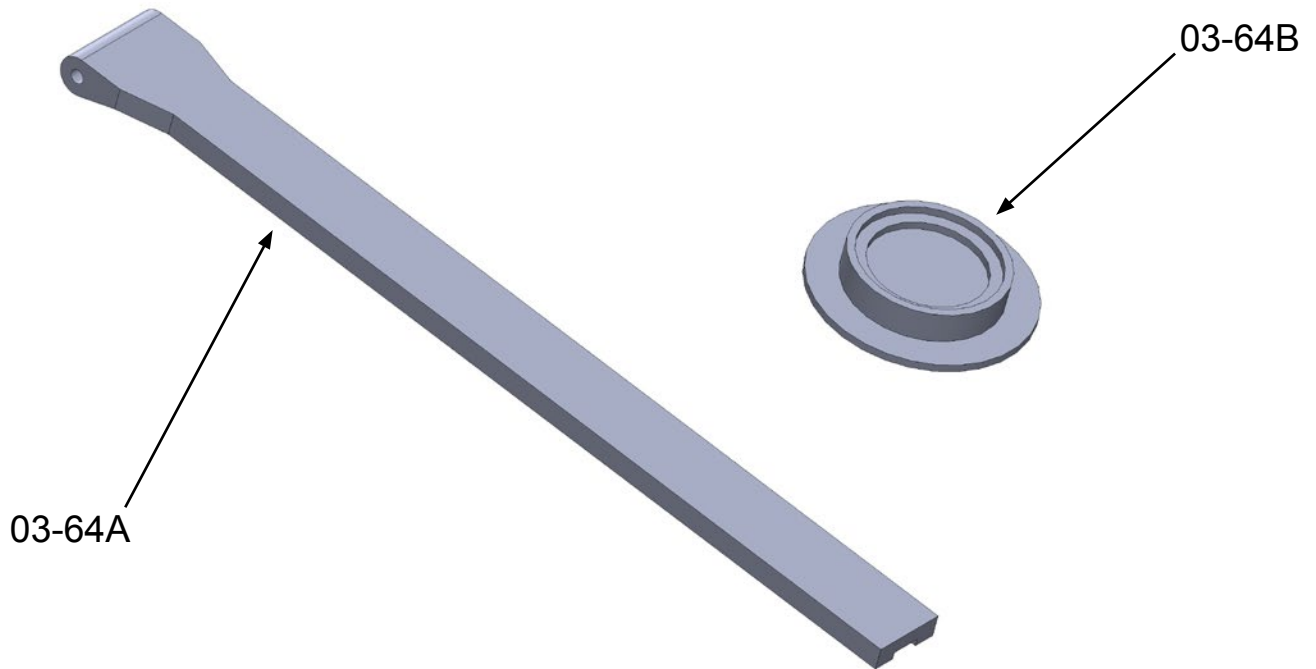


Carefully glue together assemblies 03-62 and 03-63.
Perform a dry fit.

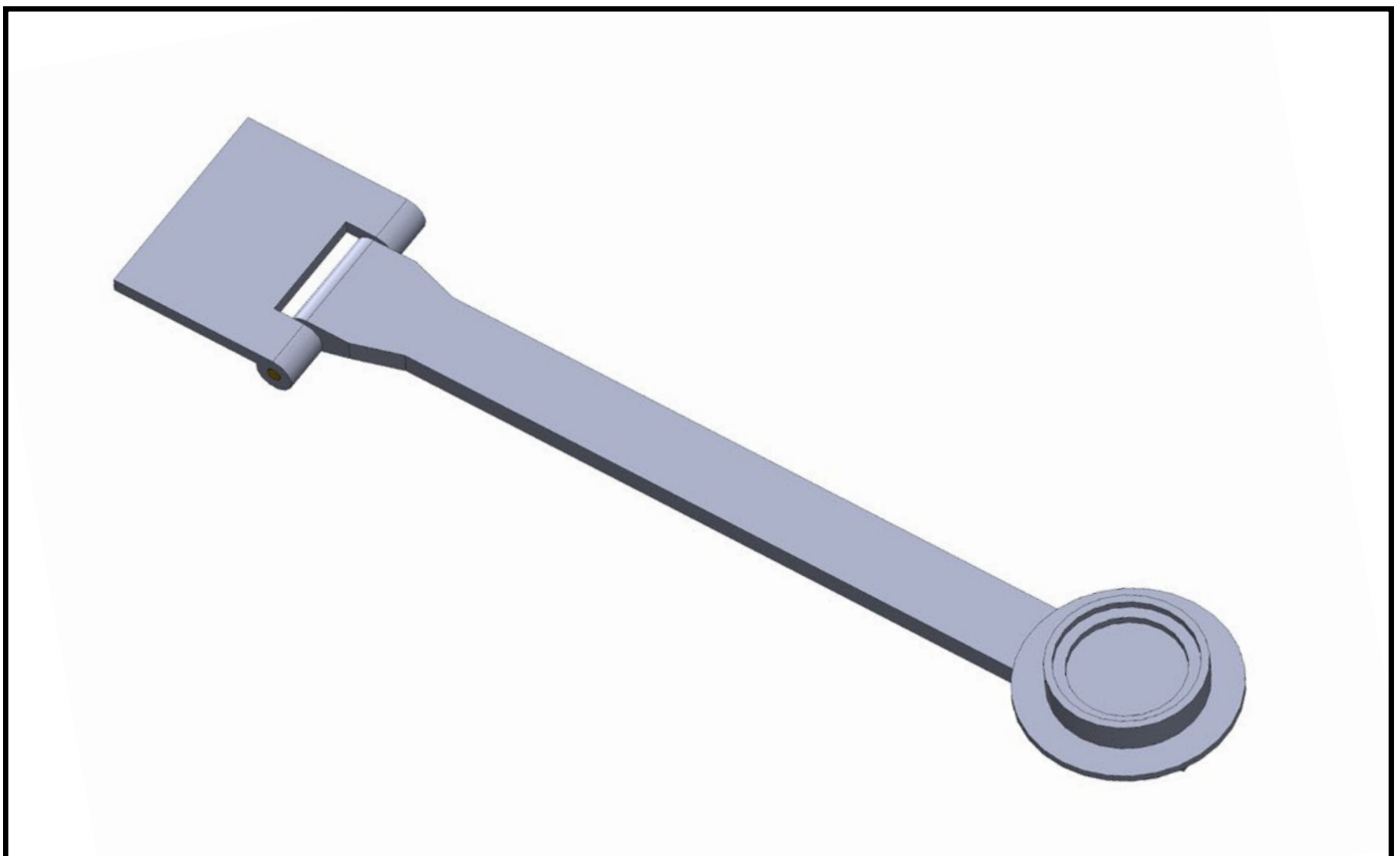
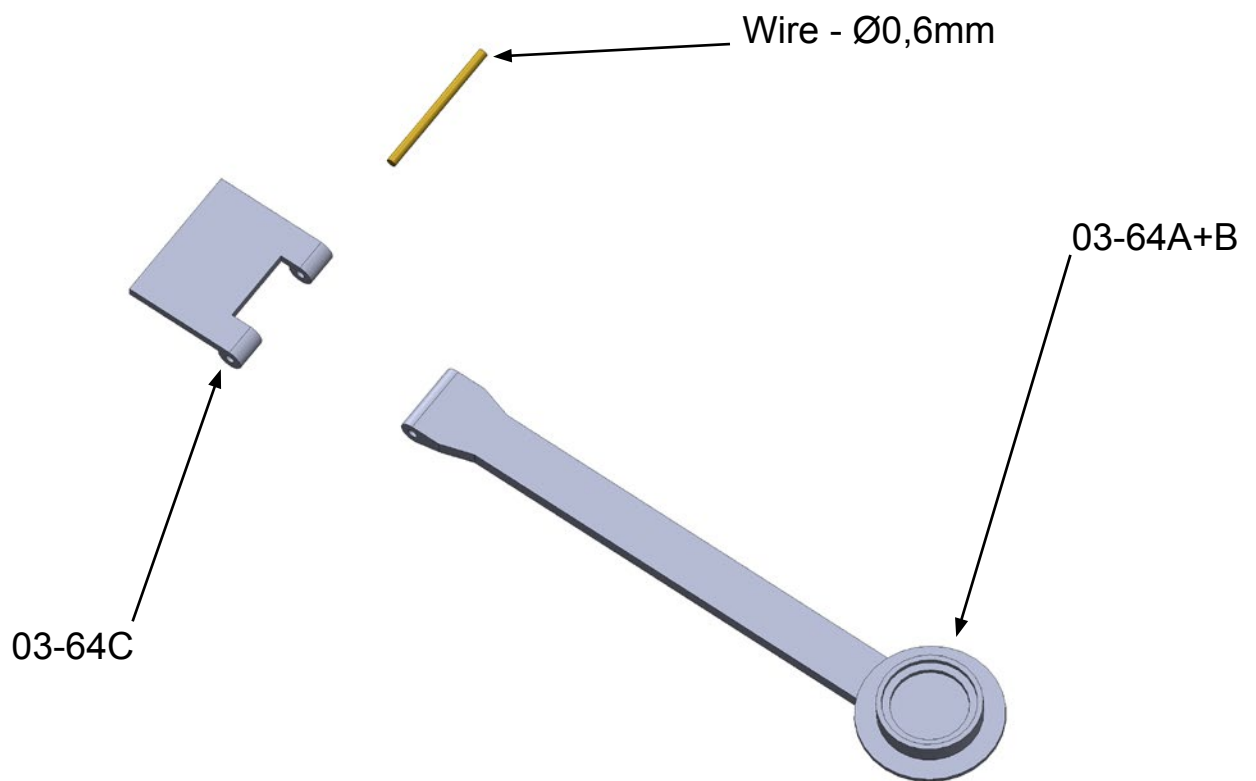
03-62/63



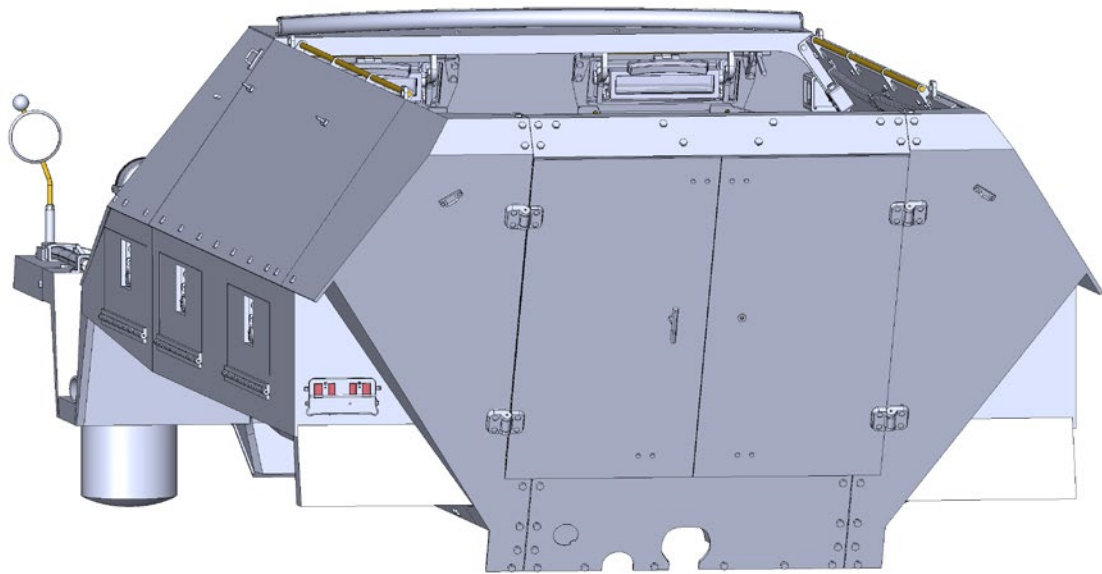
Glue parts 03-62/63 to assembly 03-21.



Glue part 03-64A to part 03-64B.



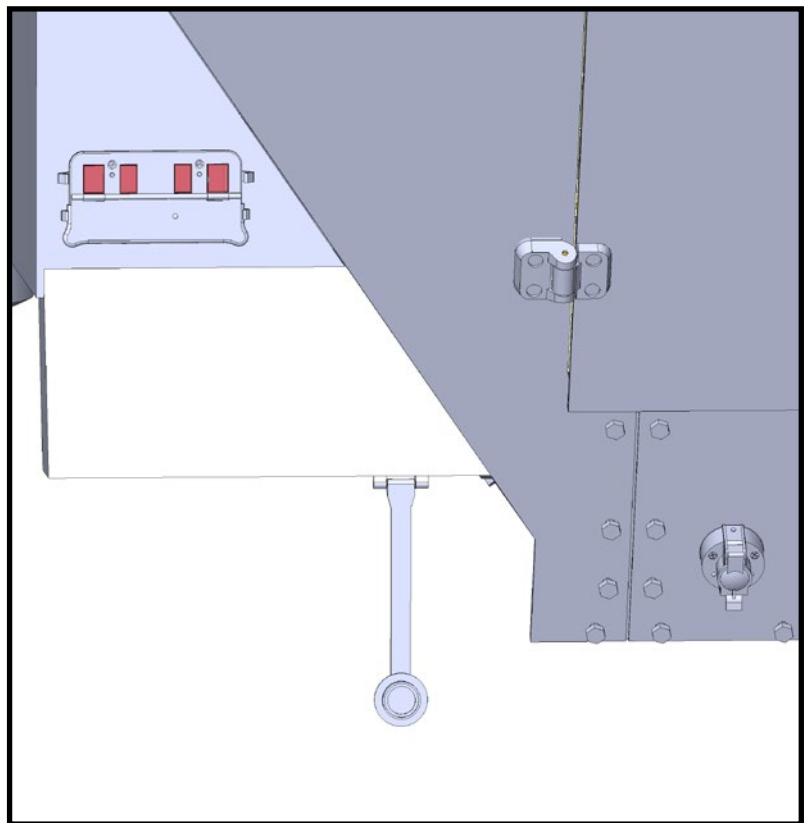
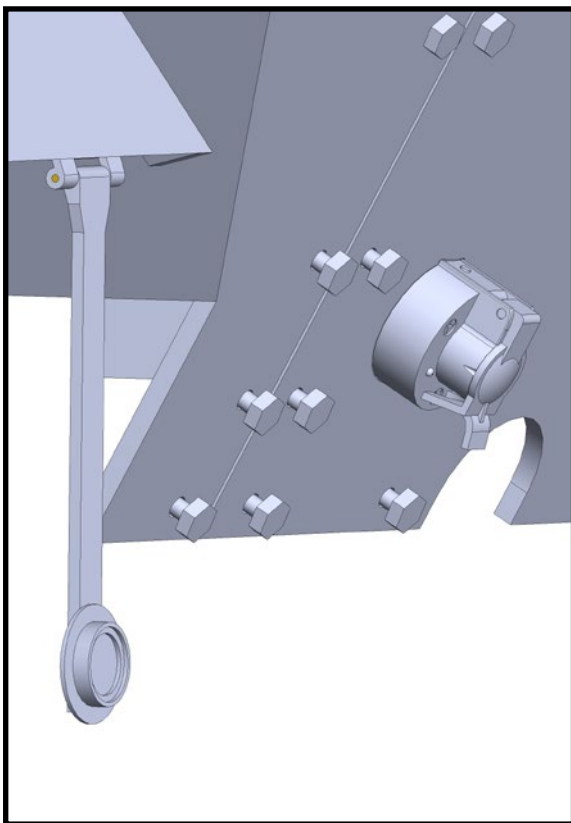
Connect parts 03-64A and 03-64C using 0,6 mm diameter wire.



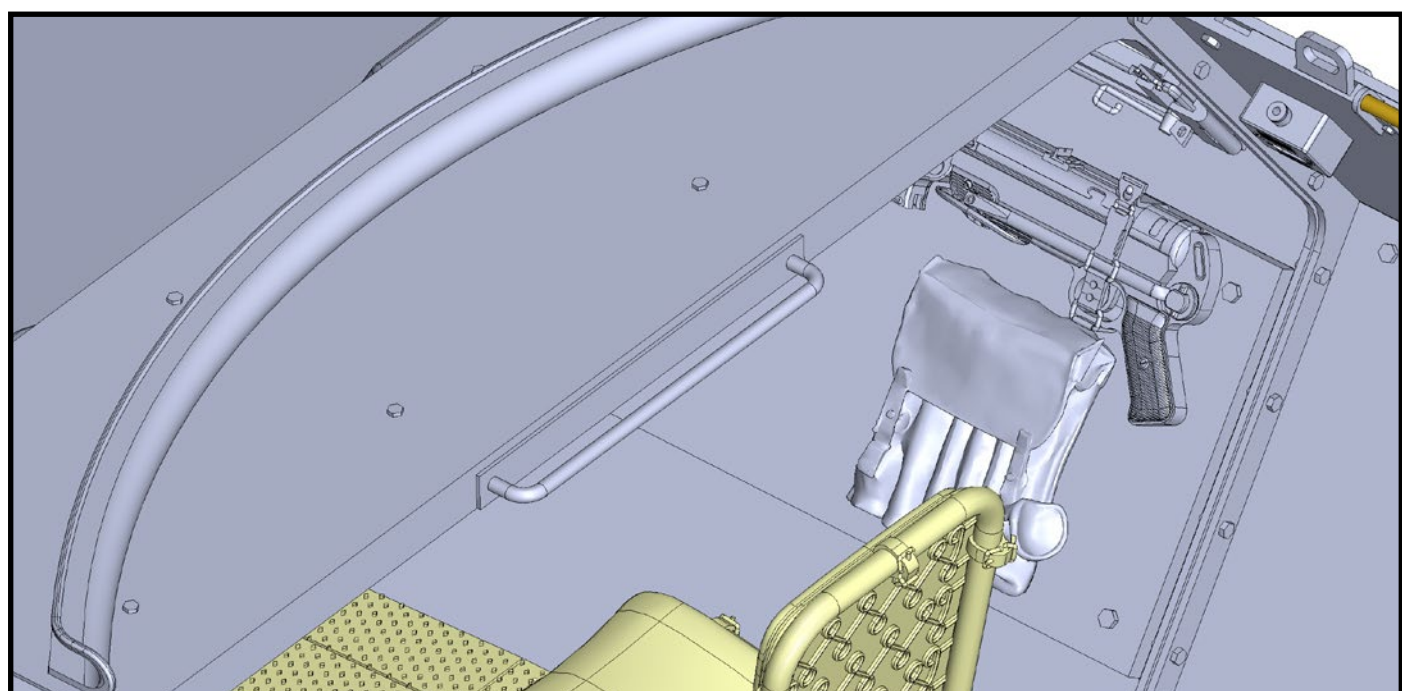
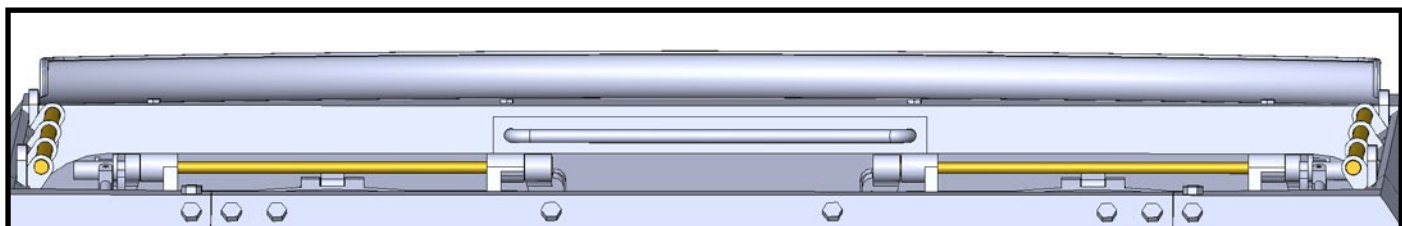
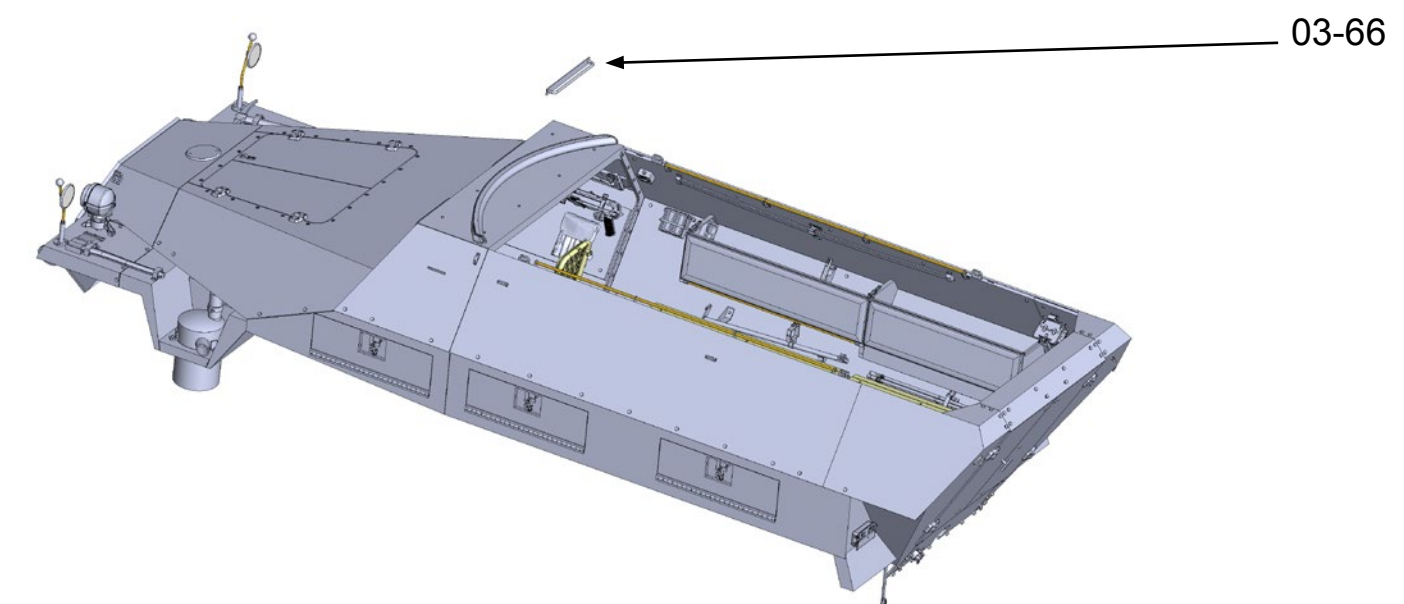
03-64 (assembled)



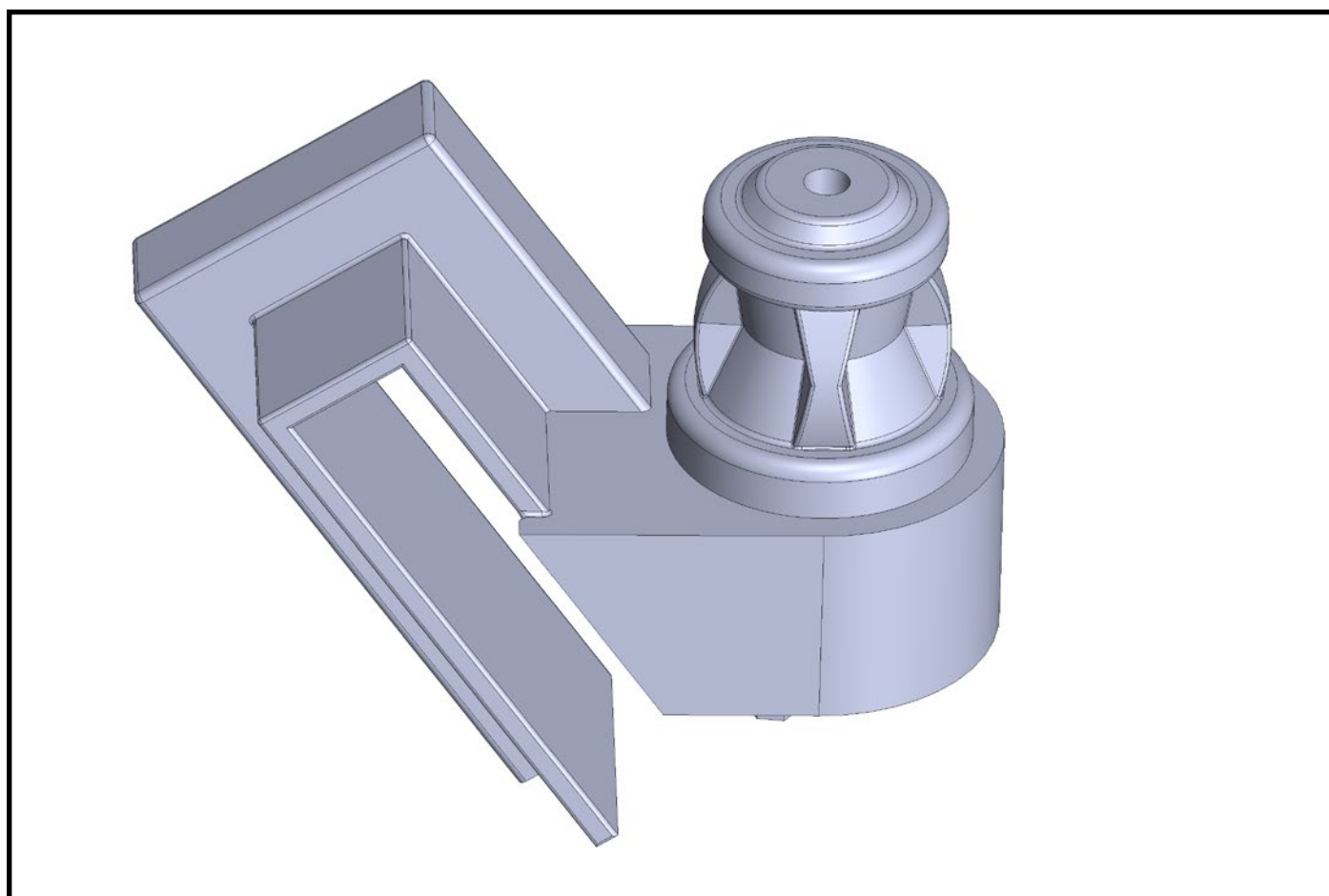
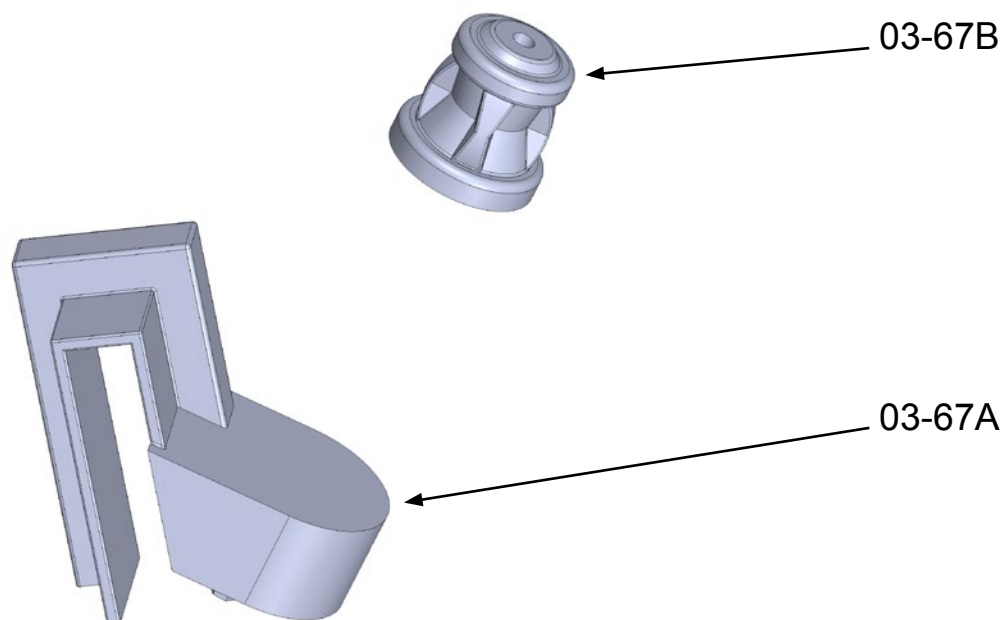
03-65



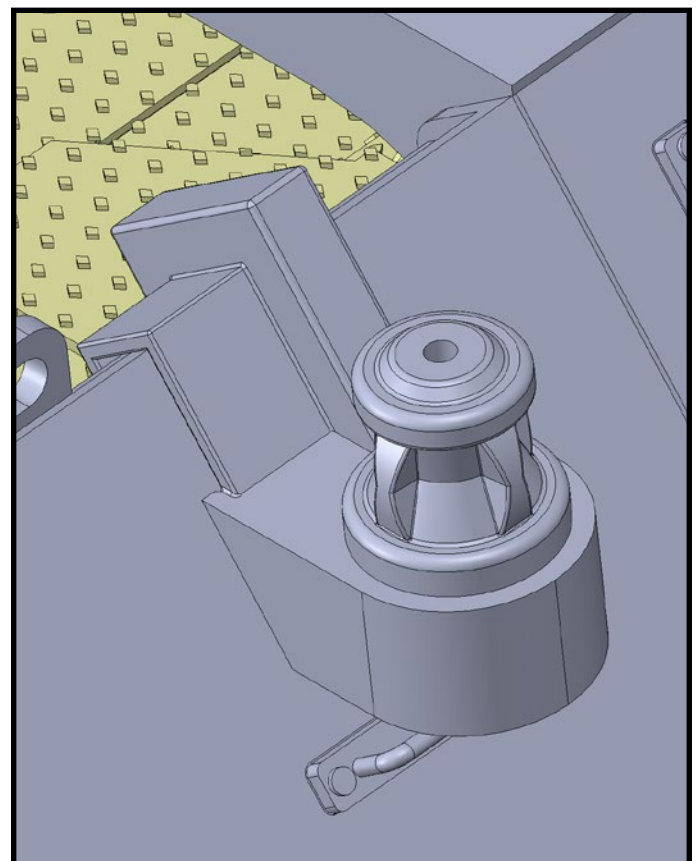
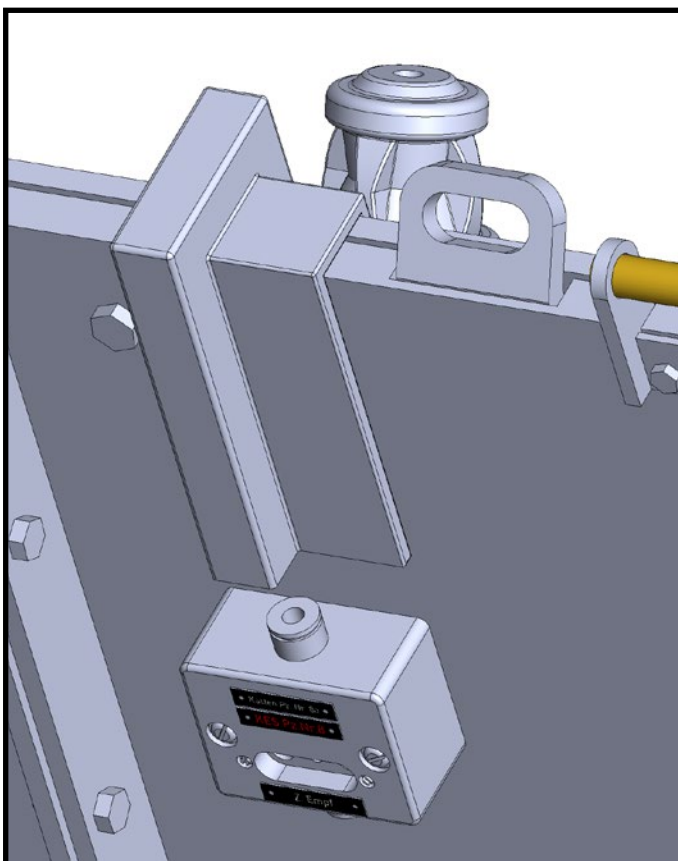
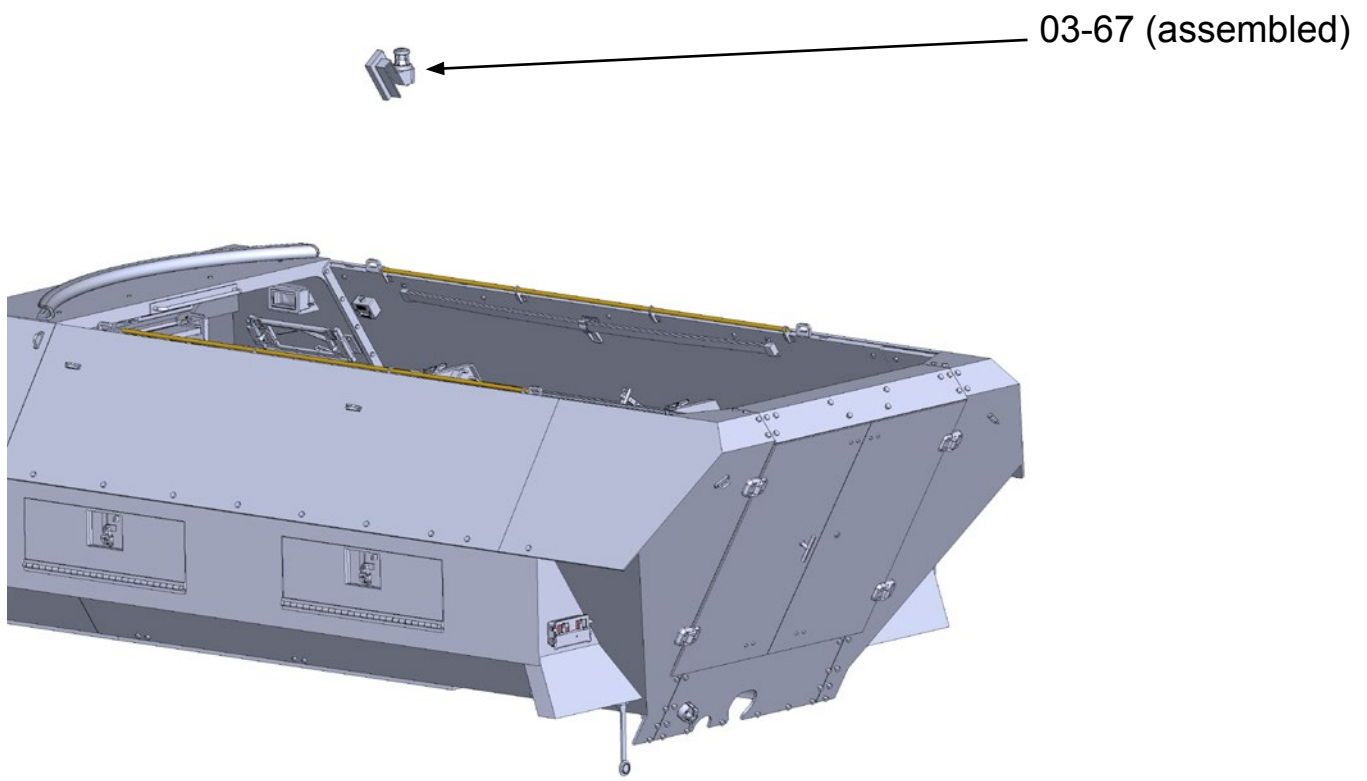
Glue assembly 03-64 and part 03-65 to assembly 03-21.



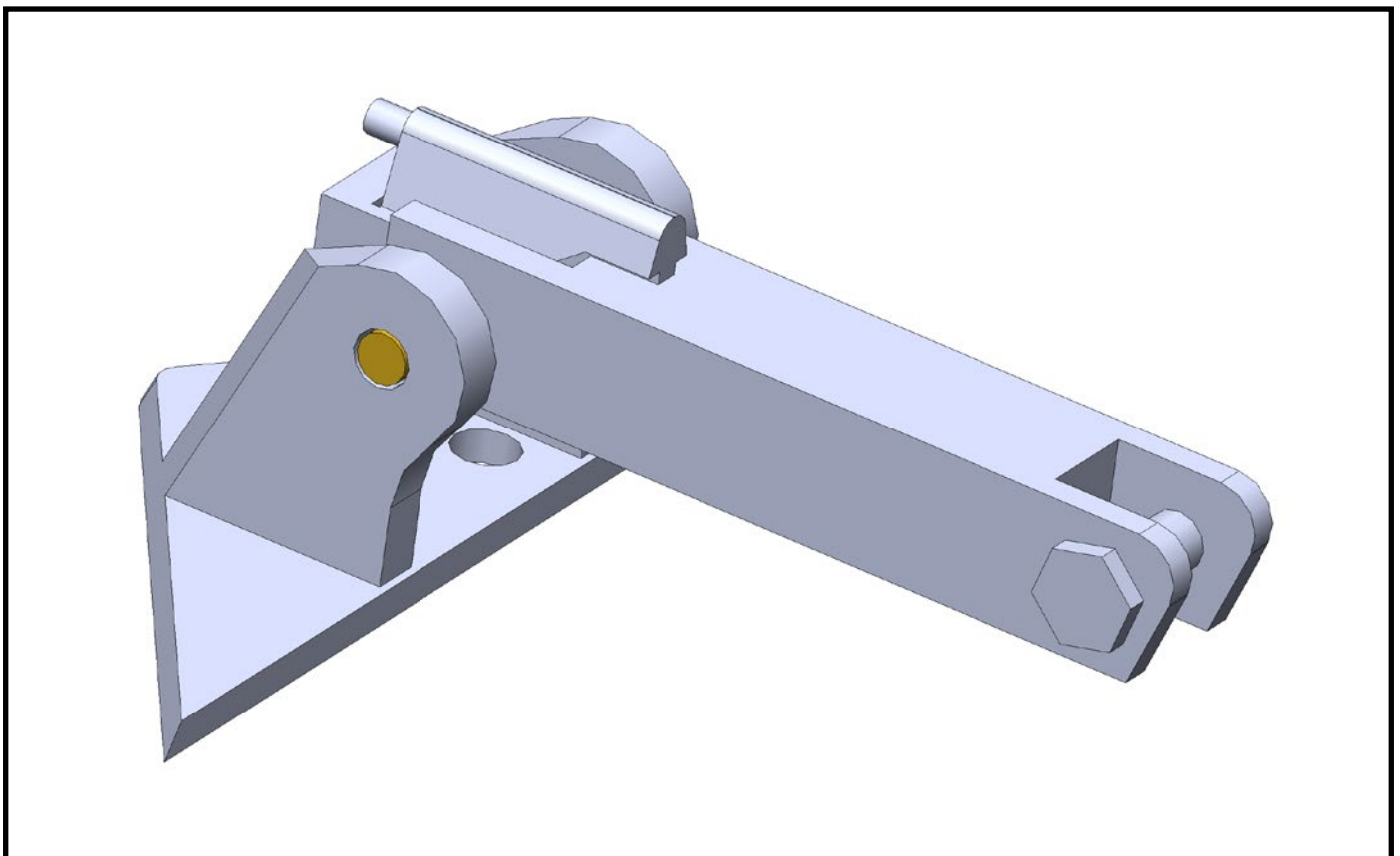
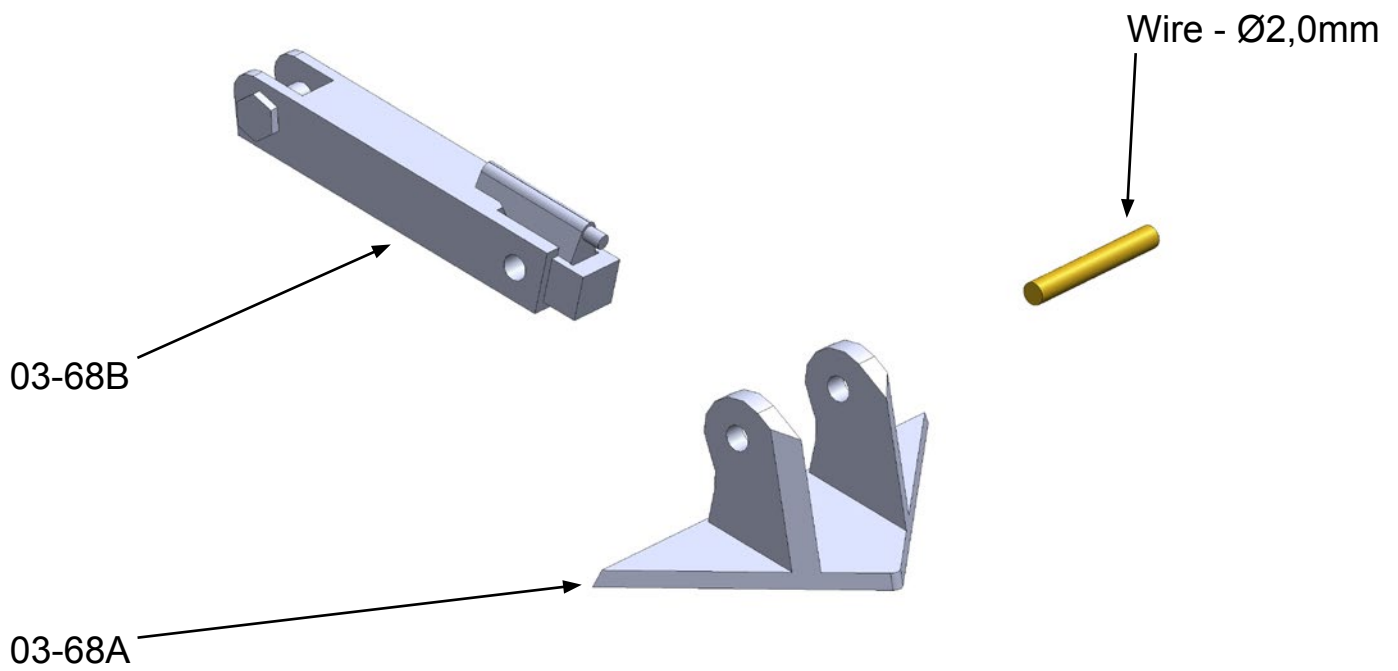
Glue part 03-66 to assembly 03-09.



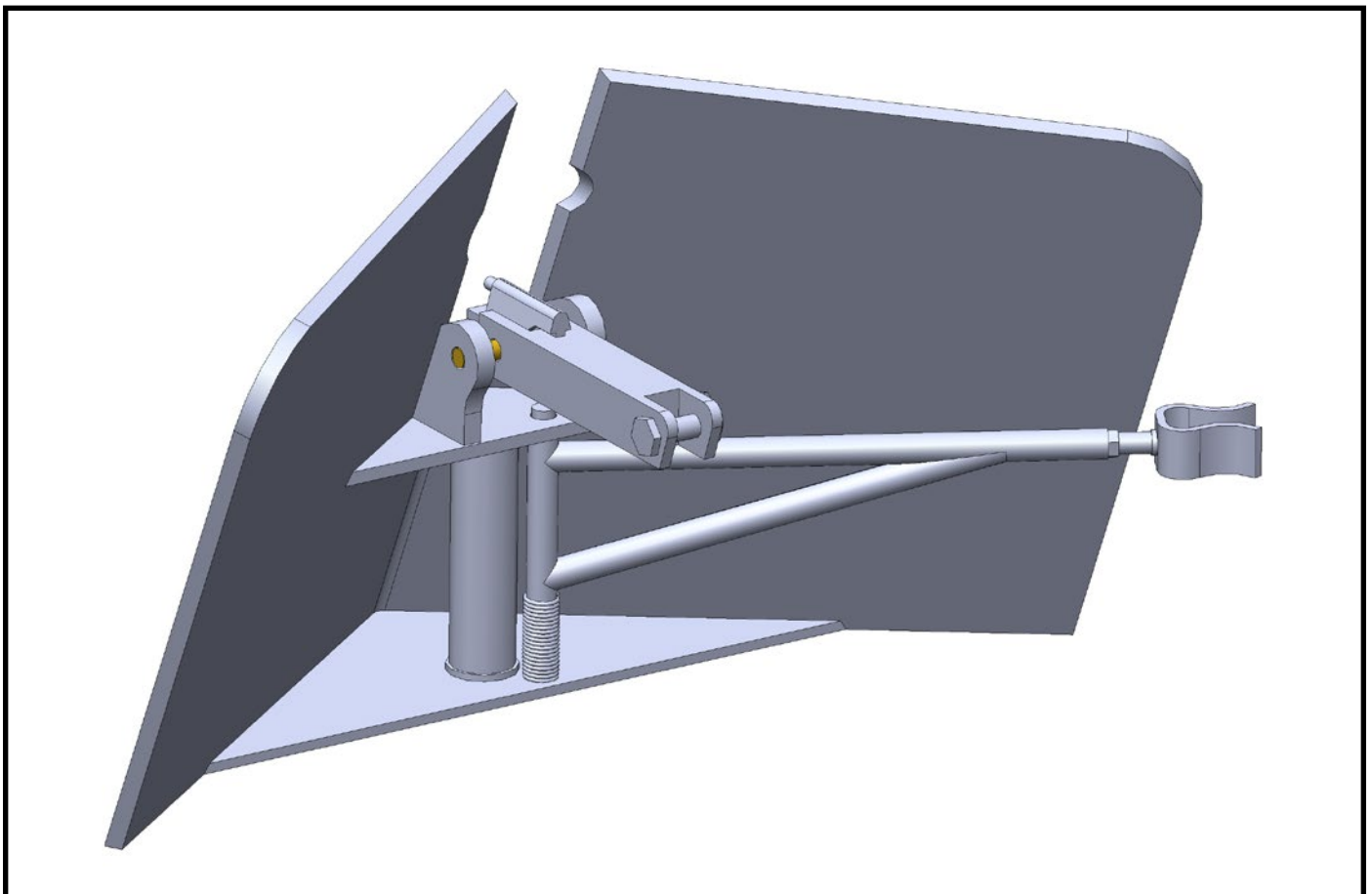
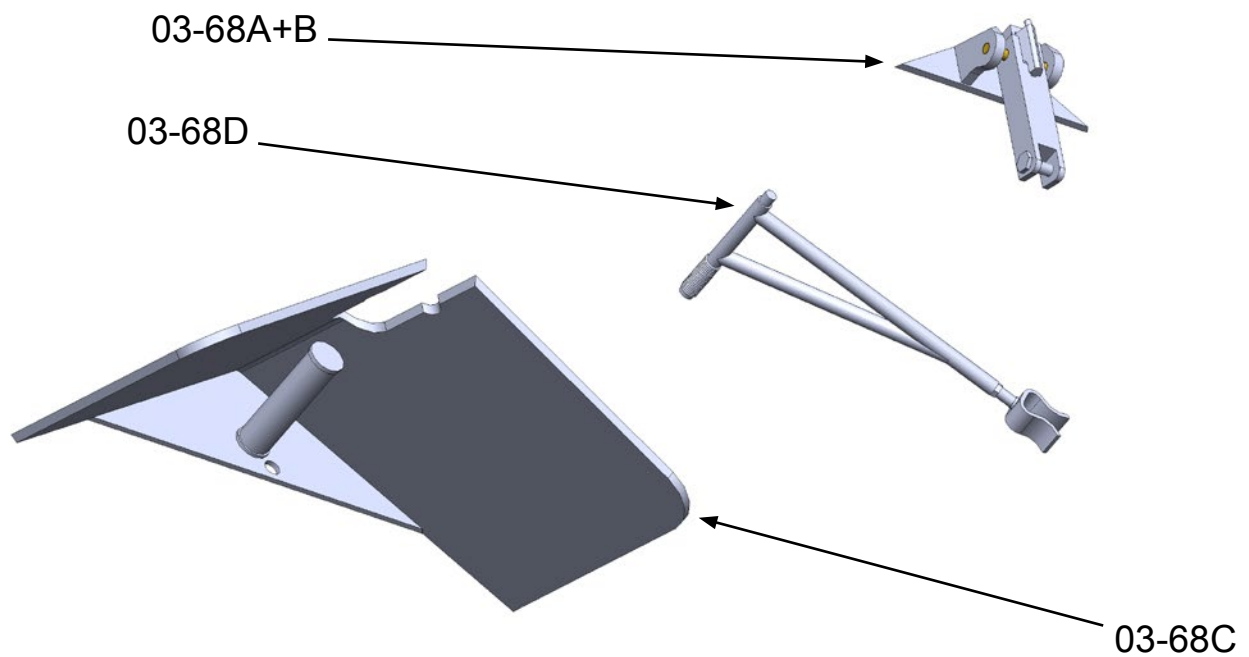
Glue part 03-67A to part 03-676B.



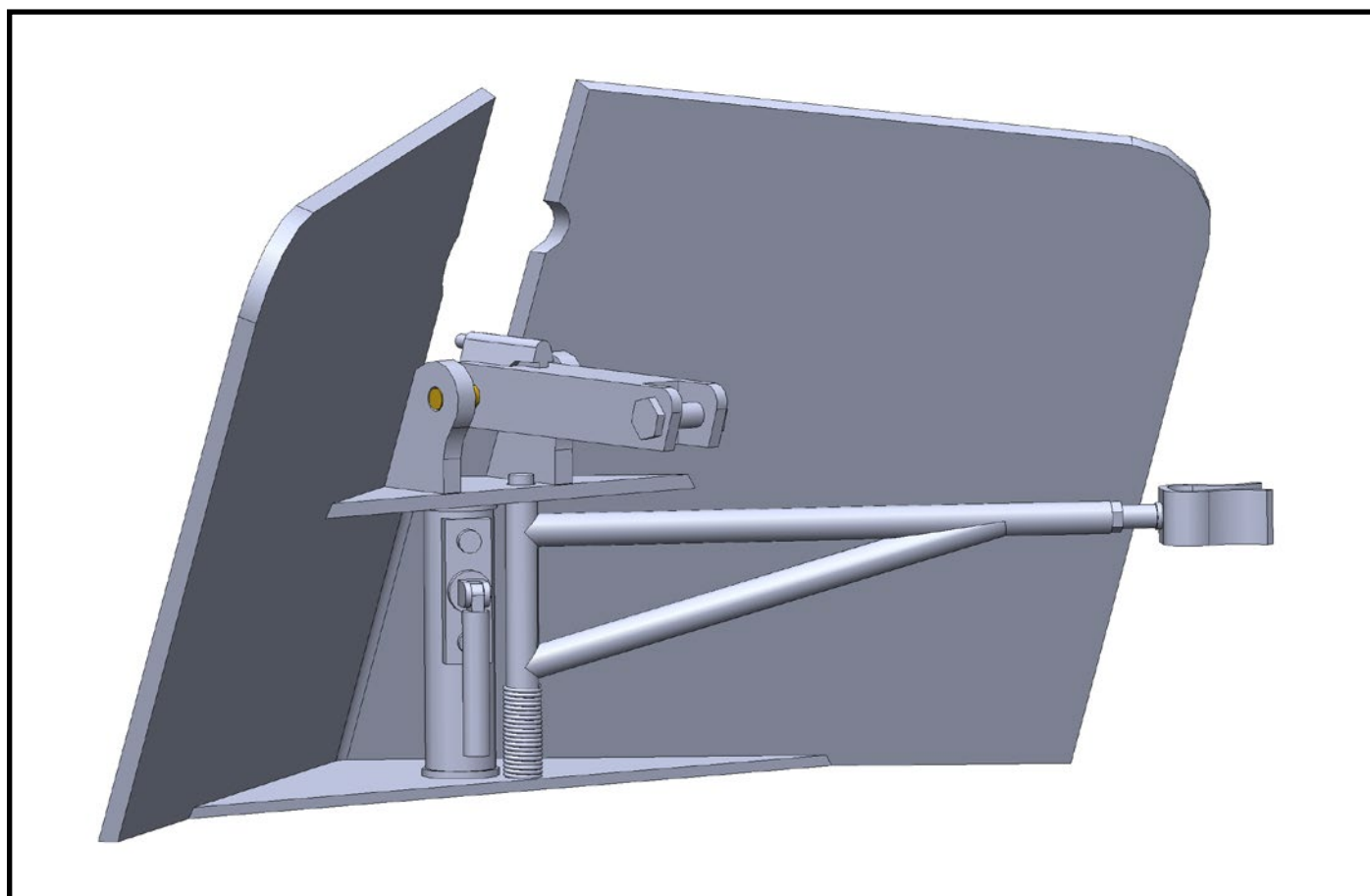
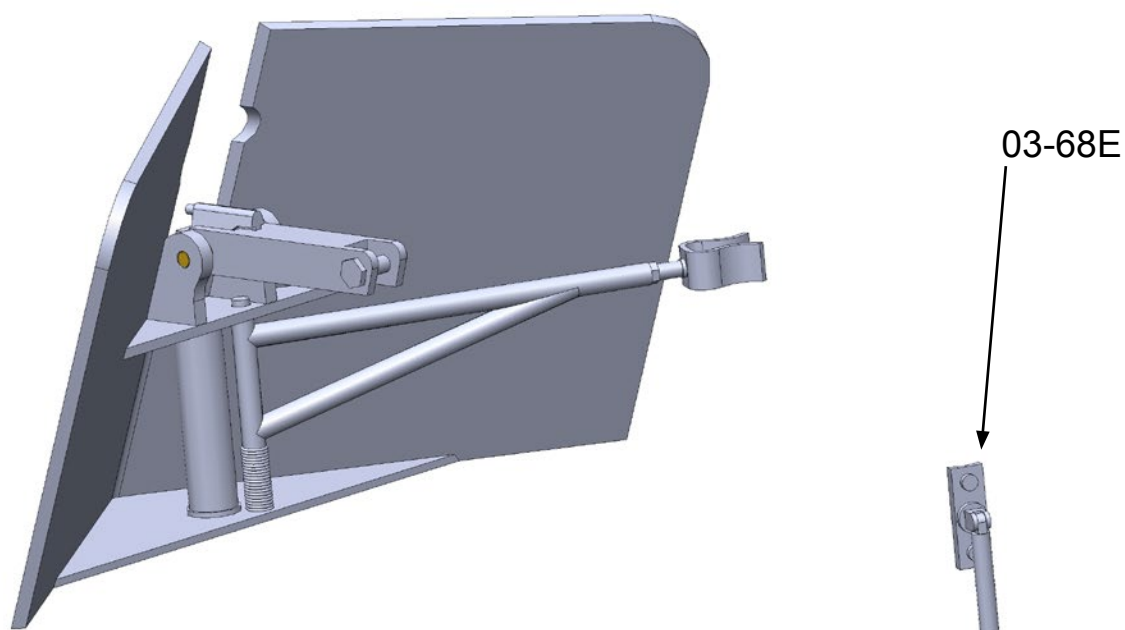
Insert assembly 03-67 into assembly 03-21. Do not glue the parts together.



Connect parts 03-68A and 03-68B using 2 mm diameter wire.

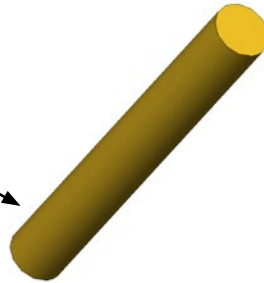


Insert part 03-68D into part 03-68C. Do not glue the parts together.
Glue part 03-68A to part 03-68C.
Part 03-68D must rotate freely.

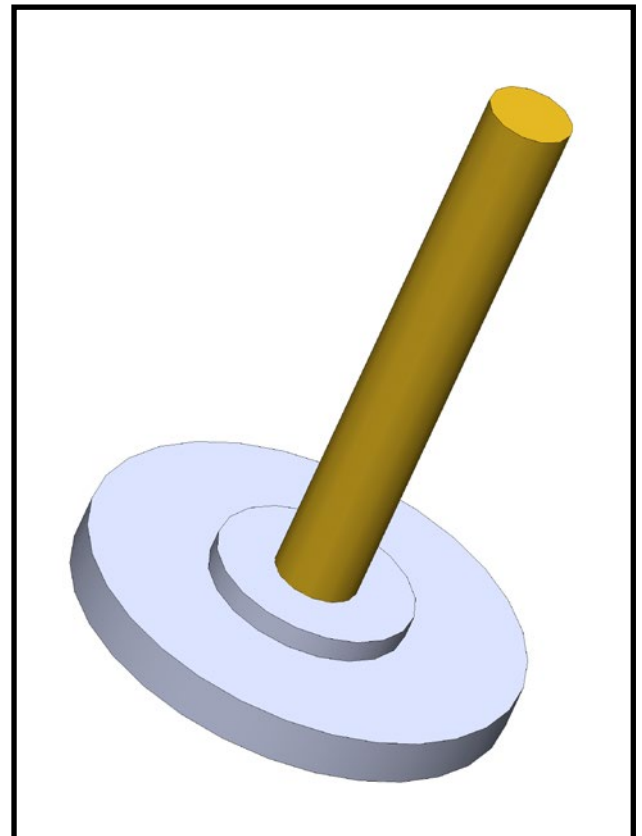
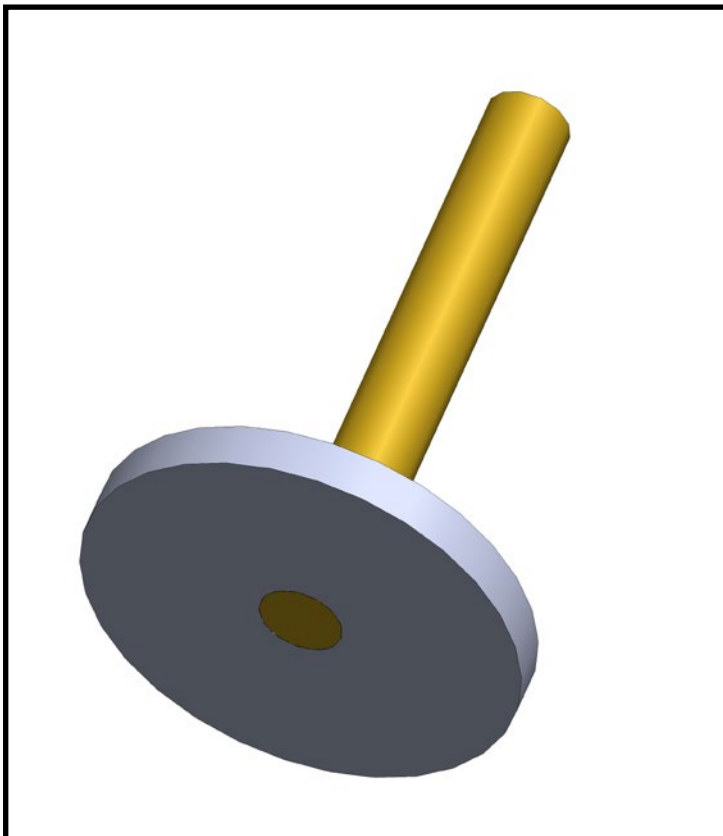
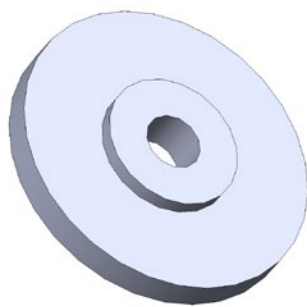


Glue part 03-68E to part 03-68C.

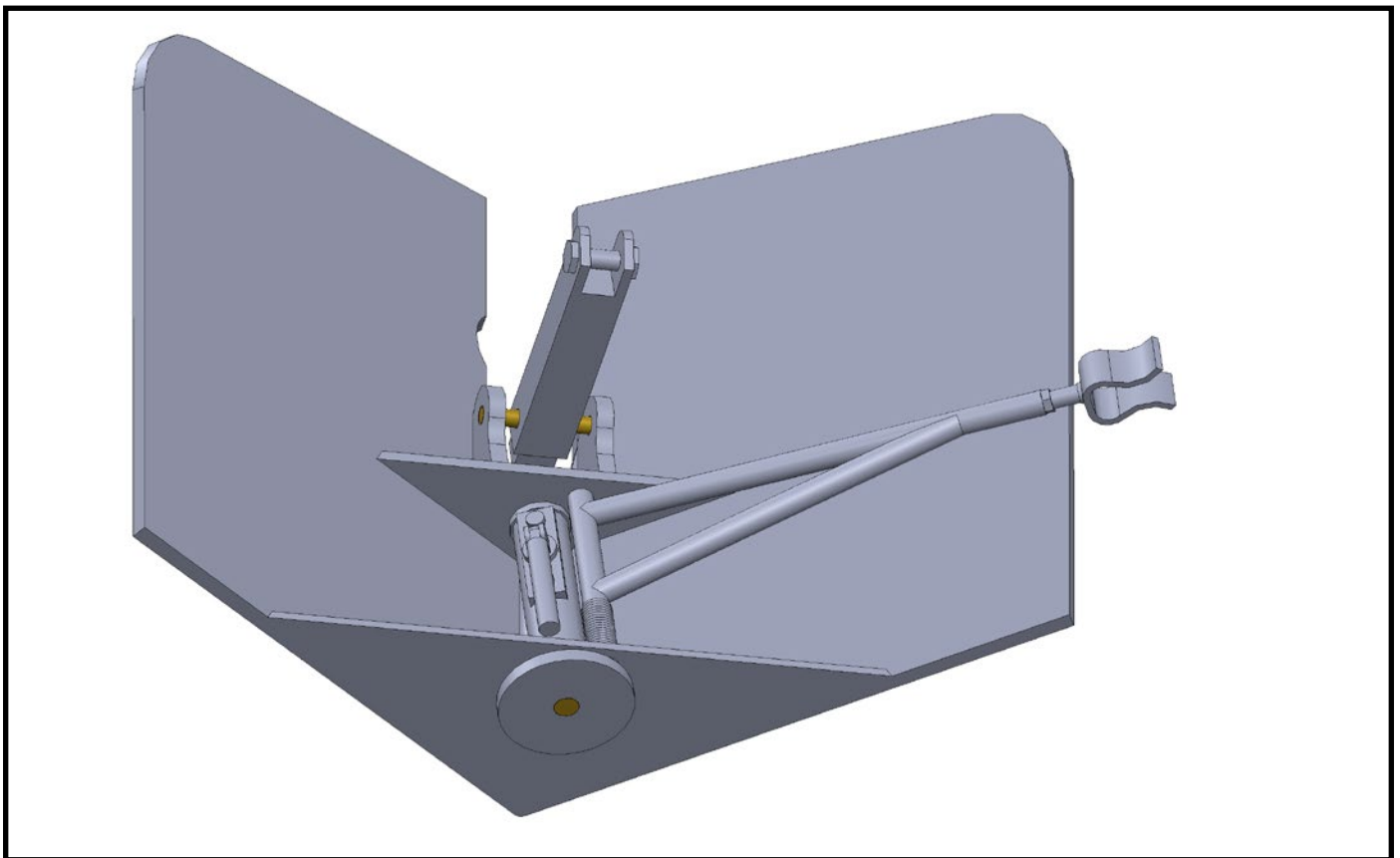
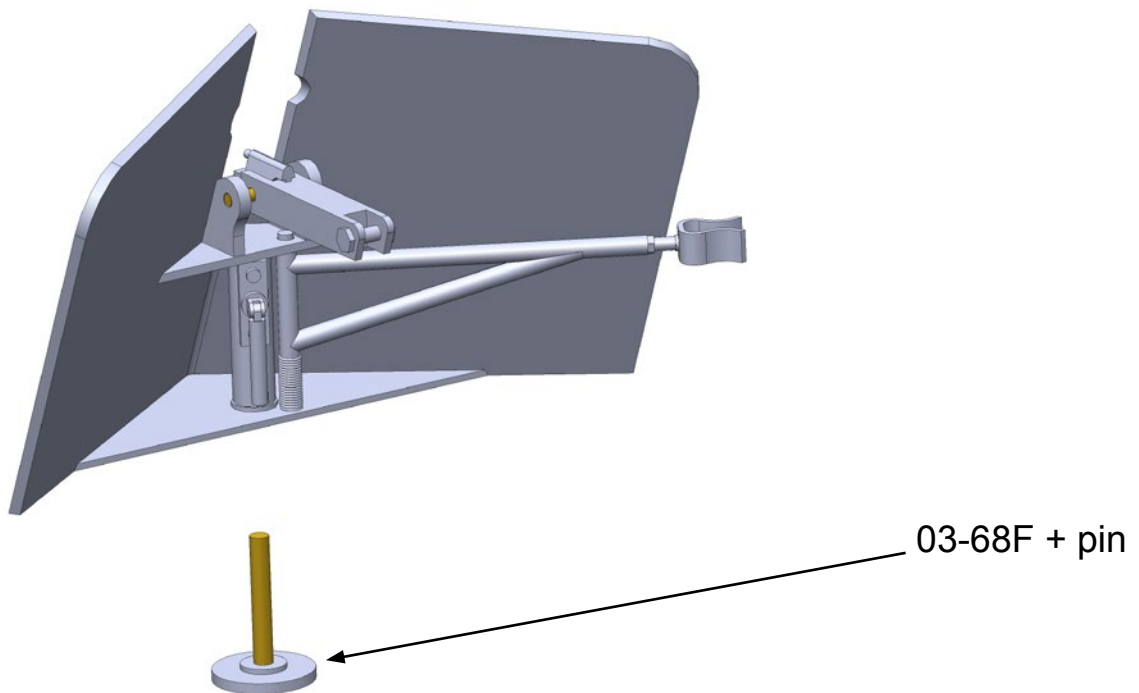
Pin - 3x15mm



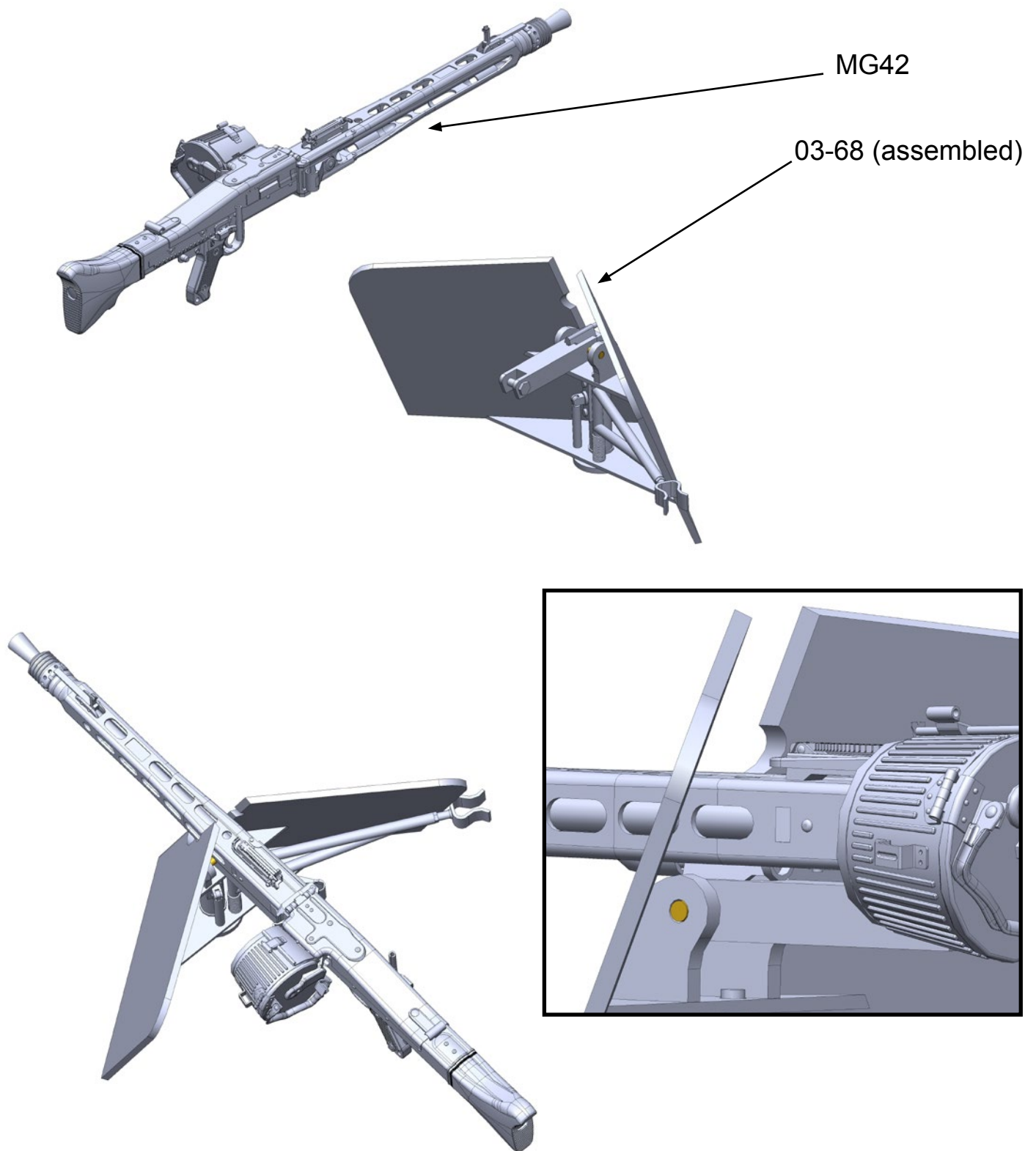
03-68F



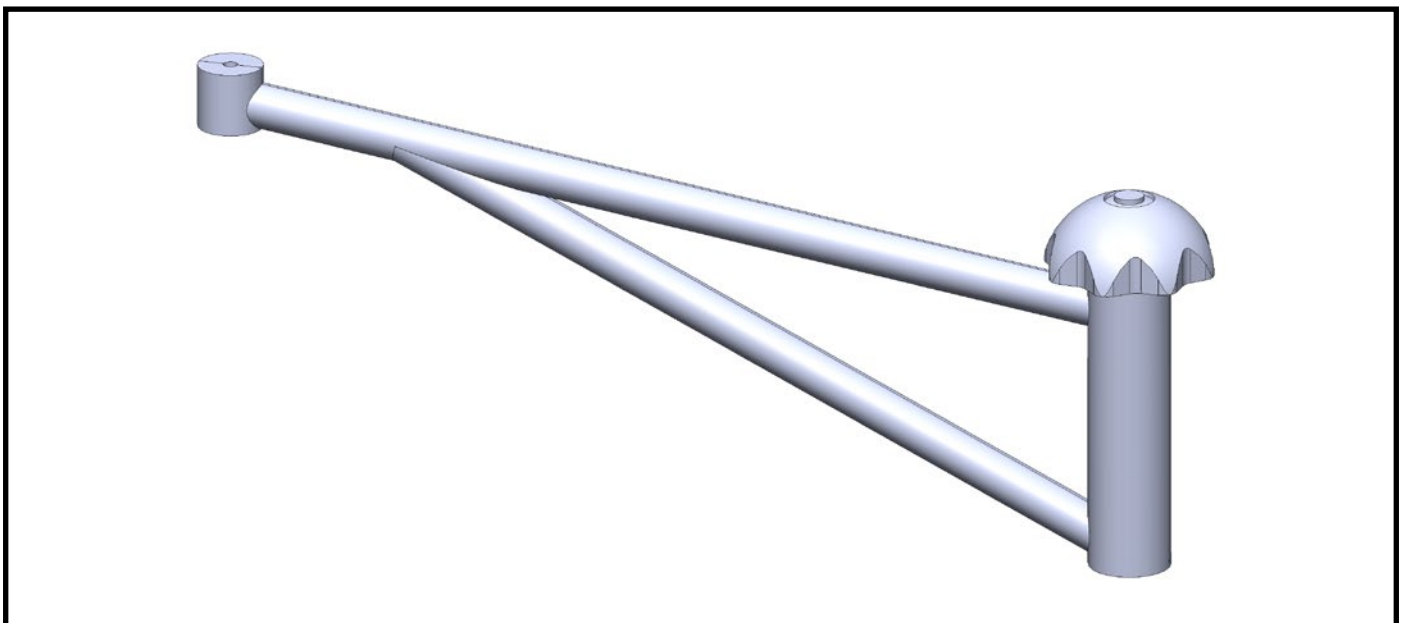
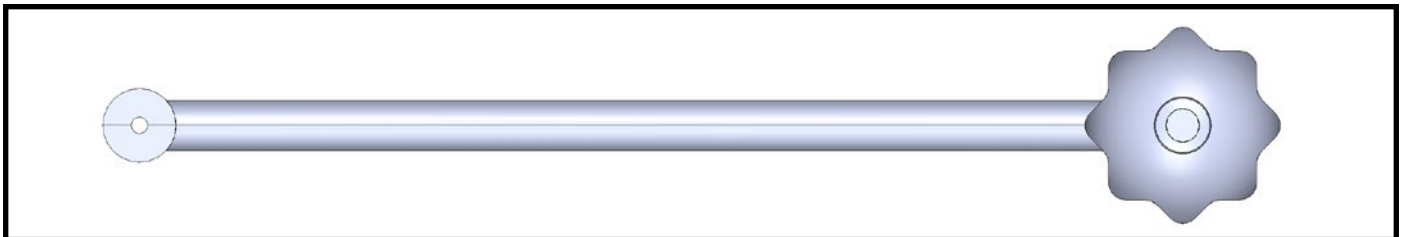
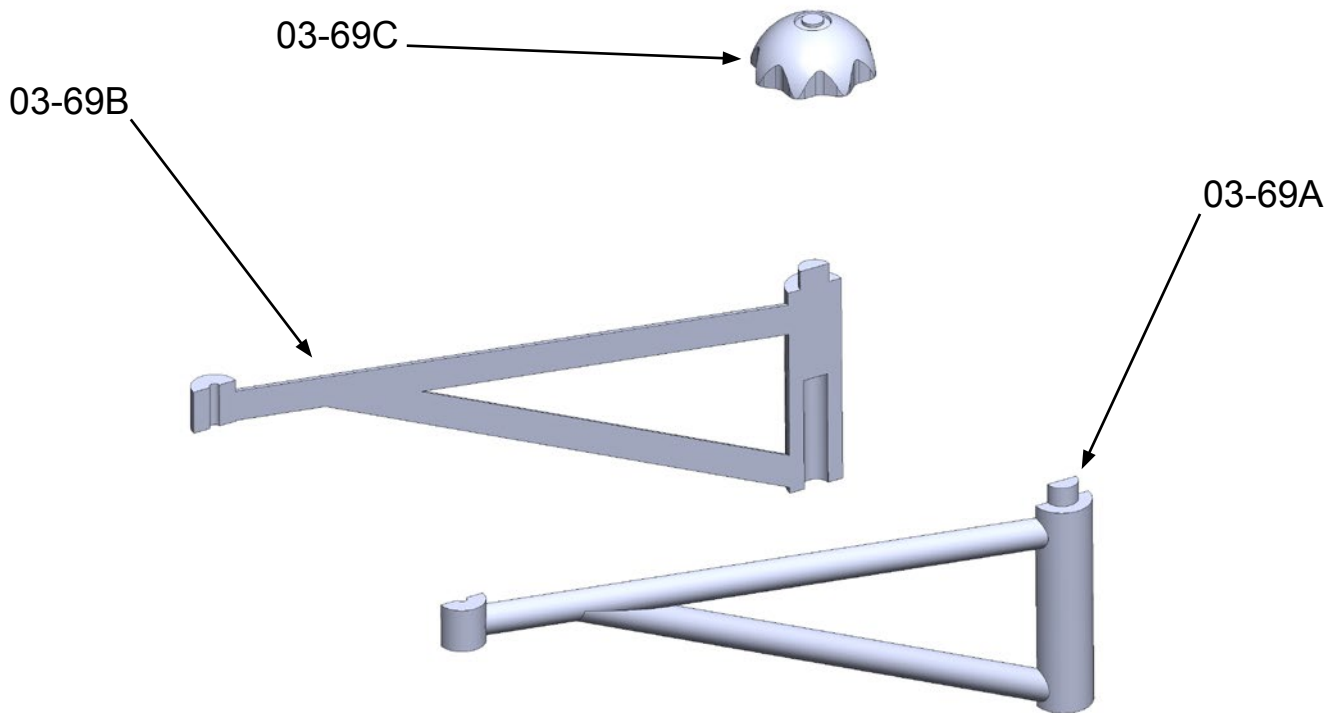
Insert and glue a 3x15mm pin into part 03-68F. The pin must hold firmly.



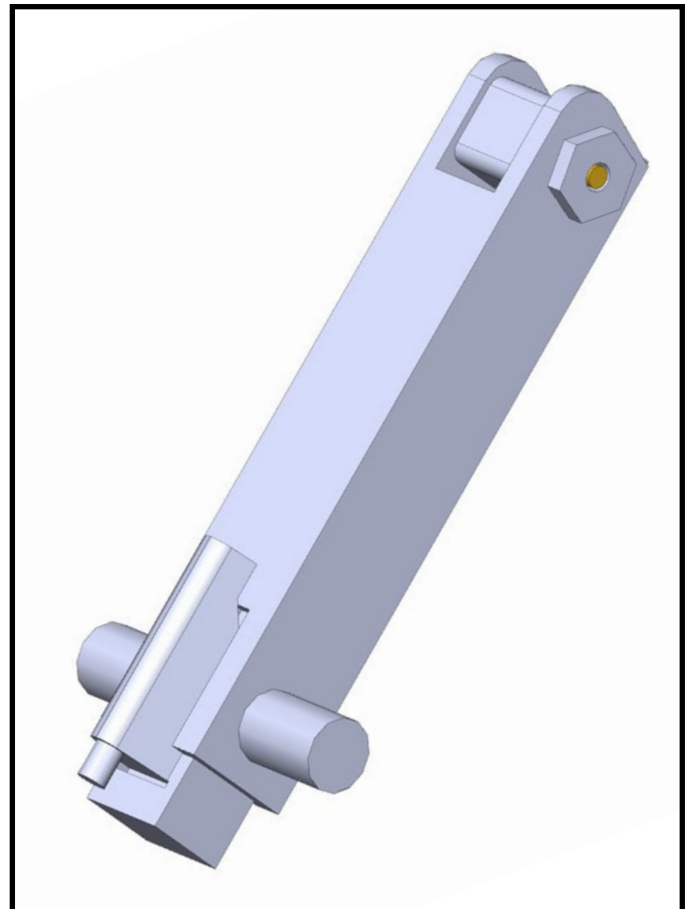
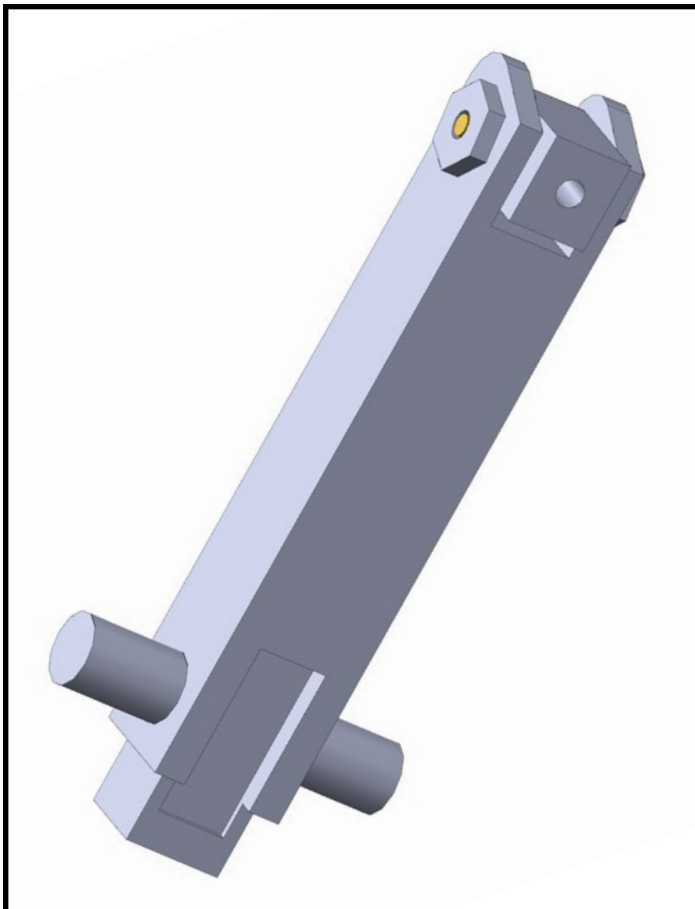
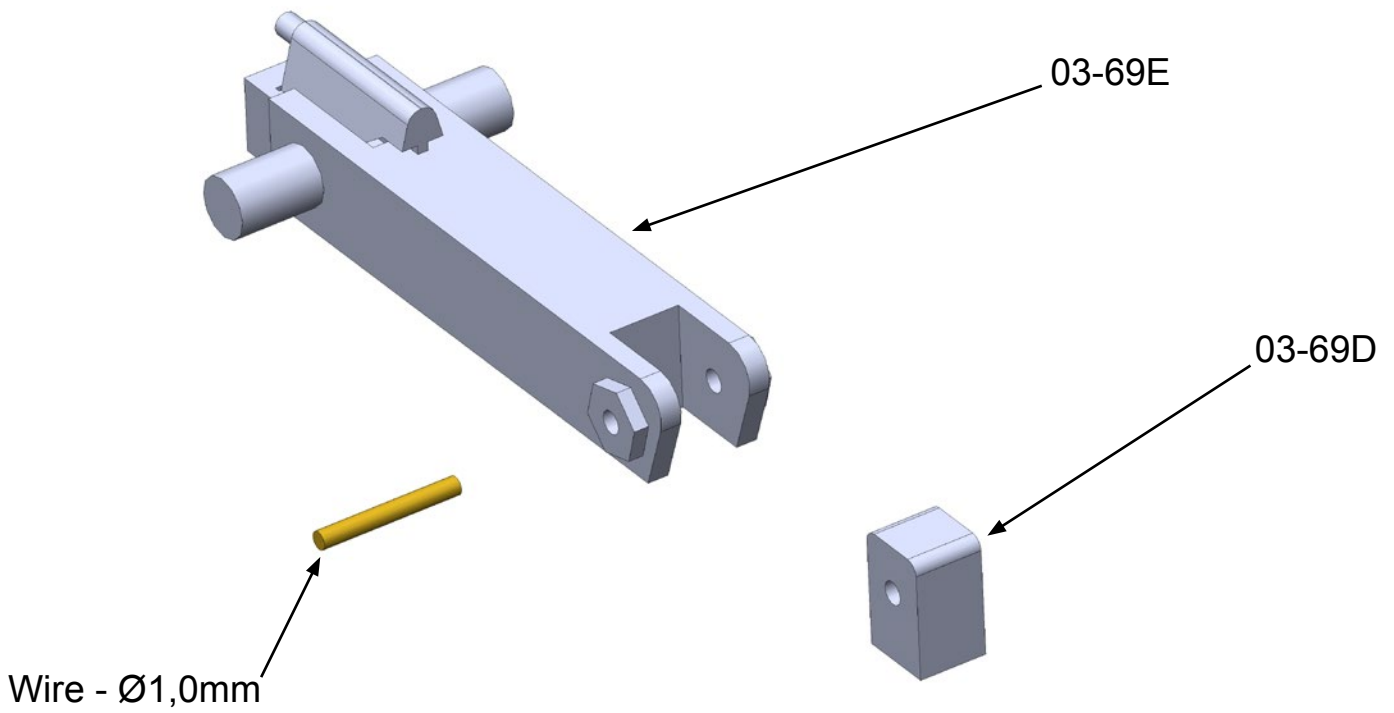
Insert part 03-68F into part 03-68C.
Do not glue the parts together. Part 03-68F must rotate freely.



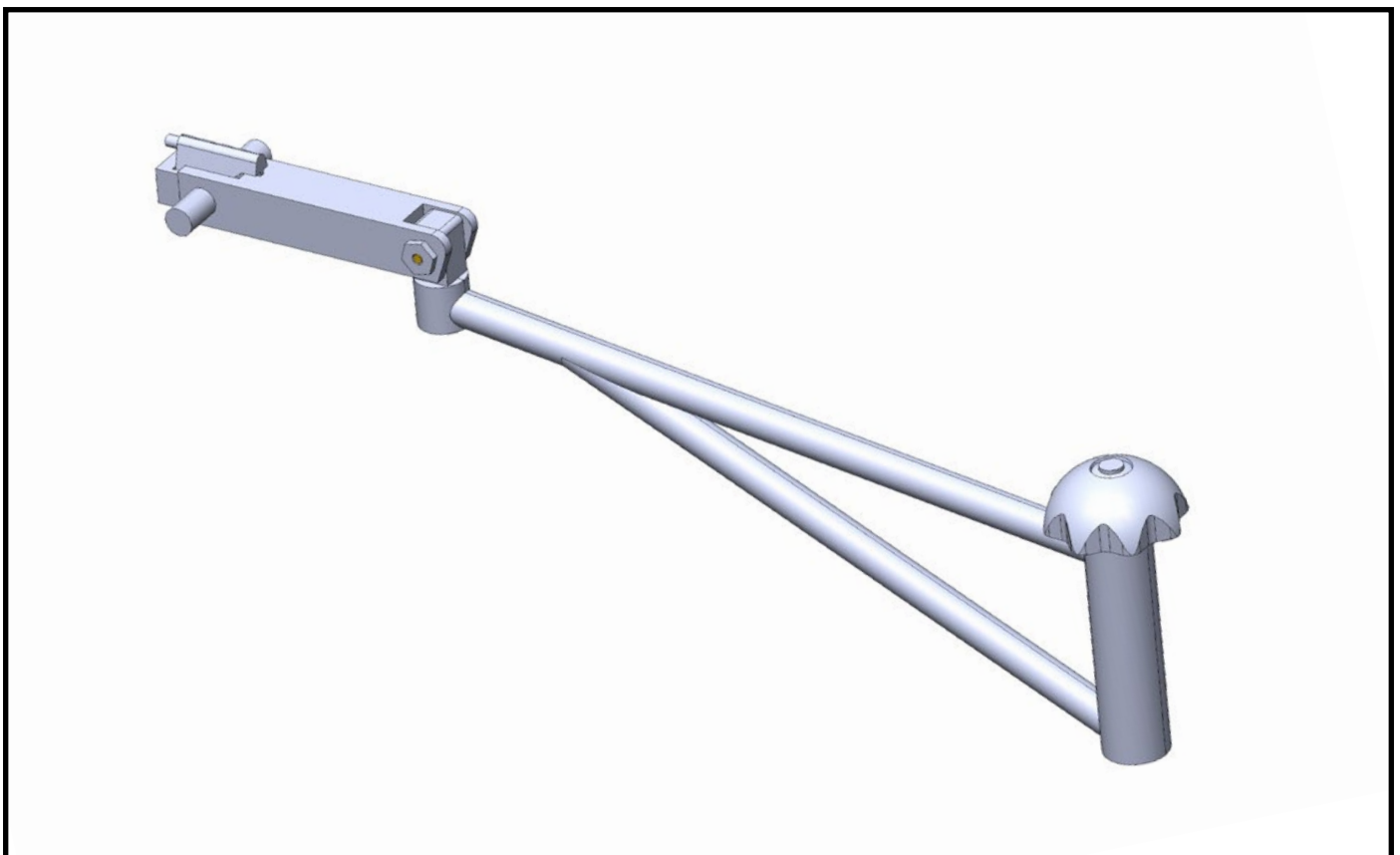
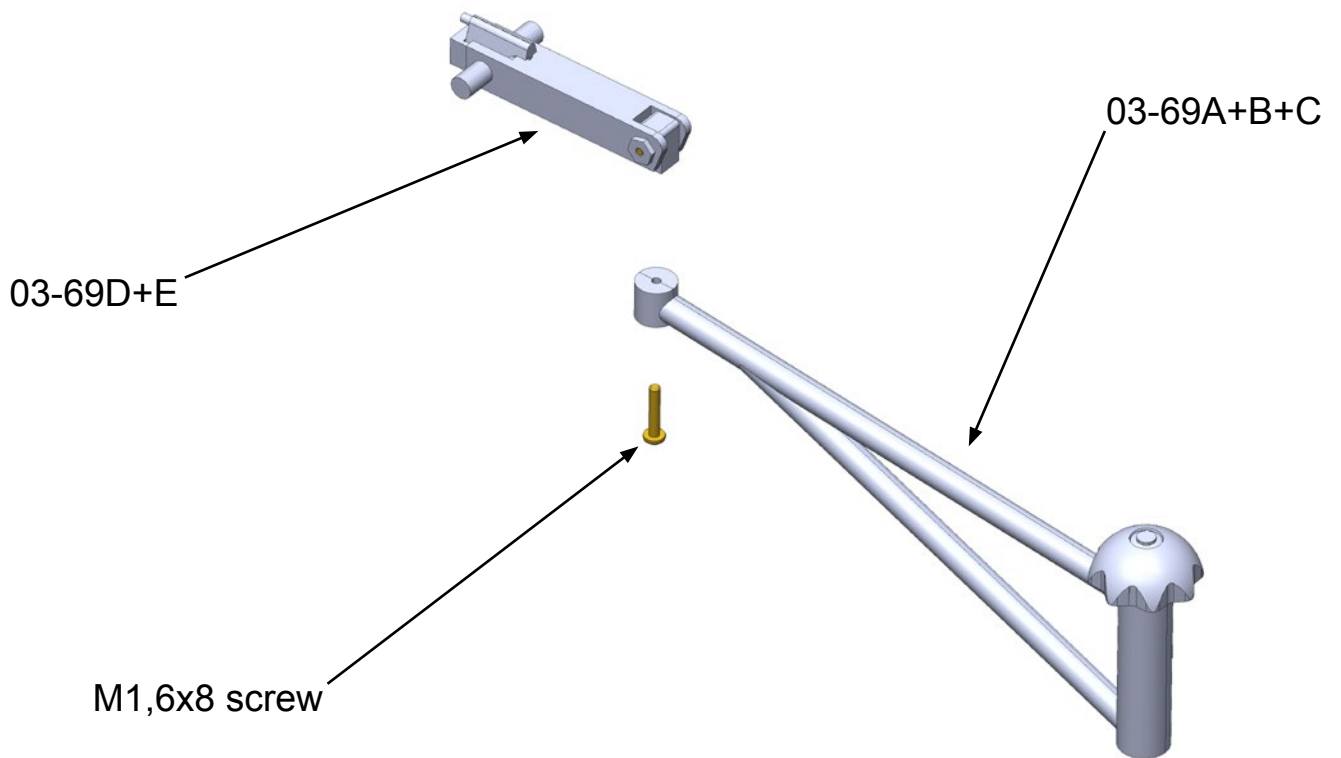
You can attach the MG42 machine gun to assembly 03-68.
Pay attention to the correct installation point.



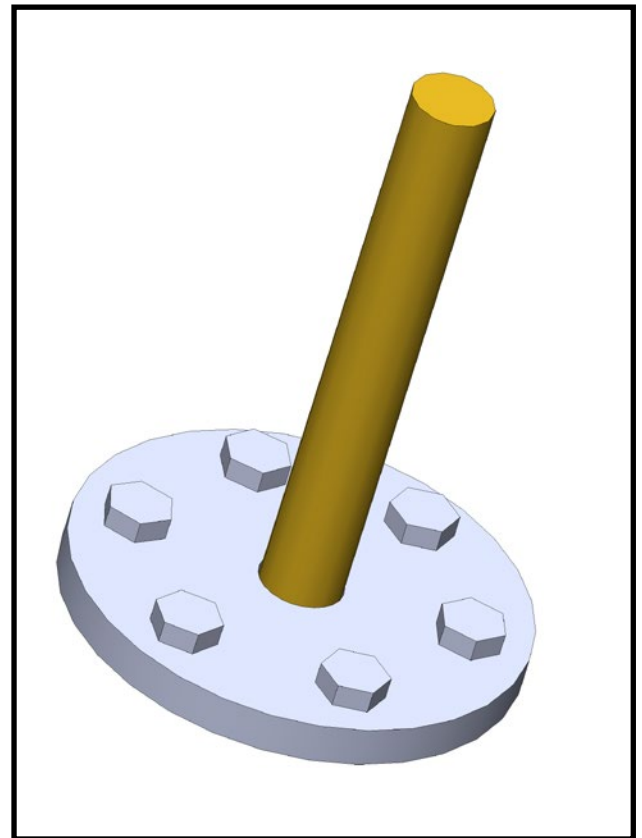
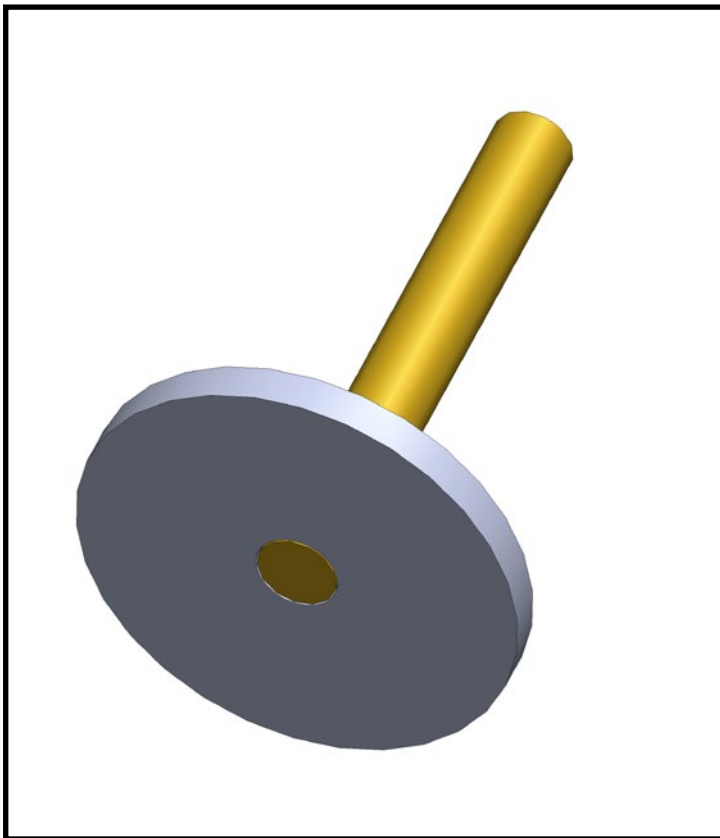
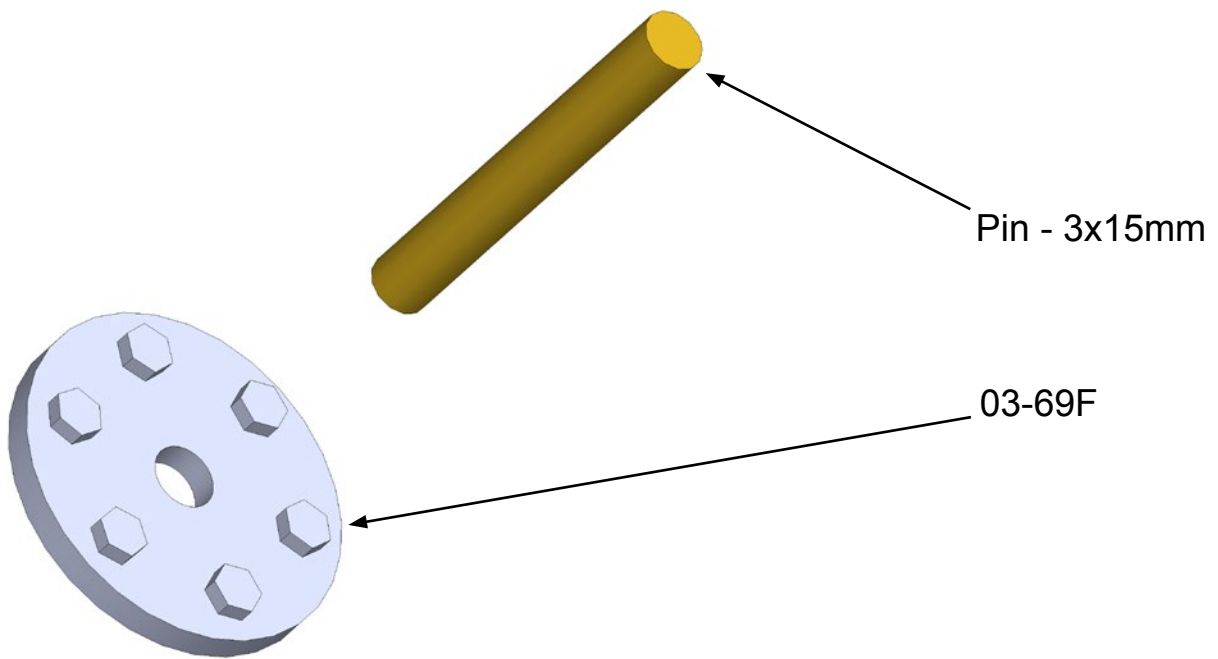
Glue together parts 03-69A, 03-69B and 03-69C.



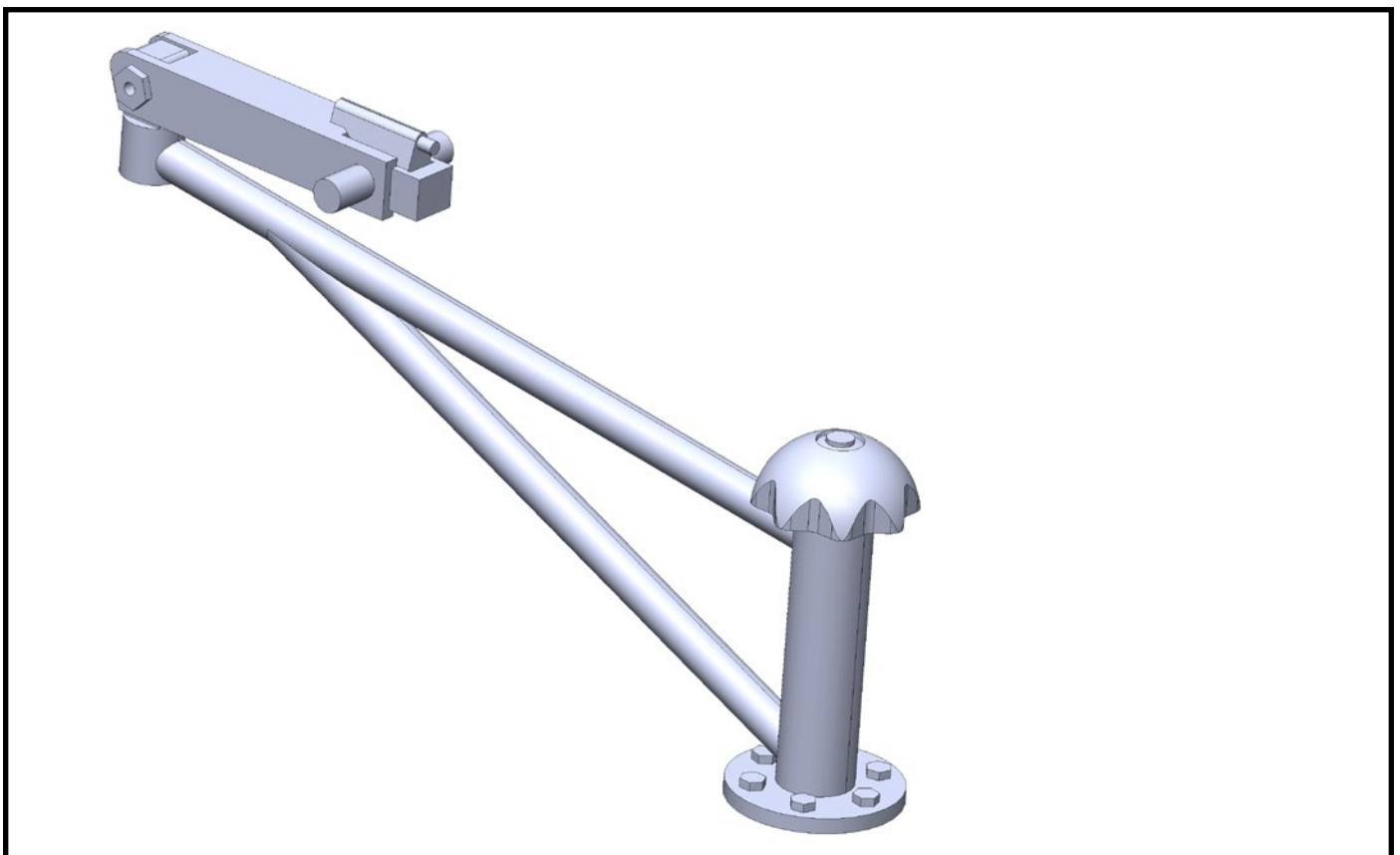
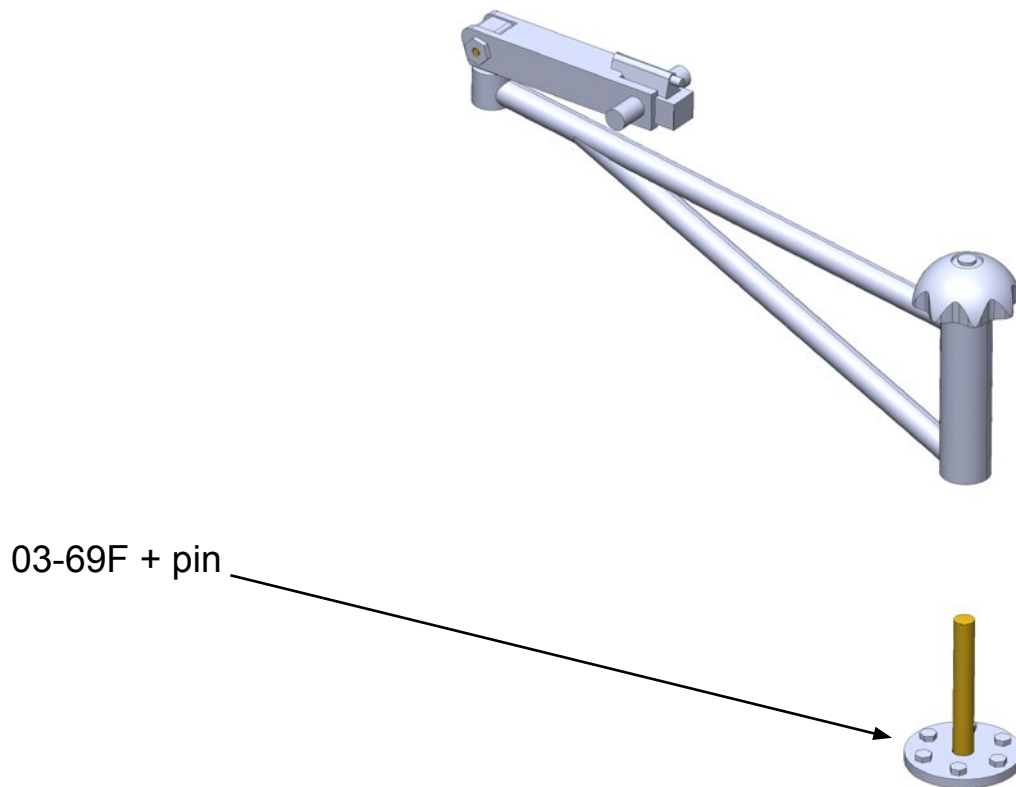
Connect parts 03-69D and 03-69E using 1 mm diameter wire.



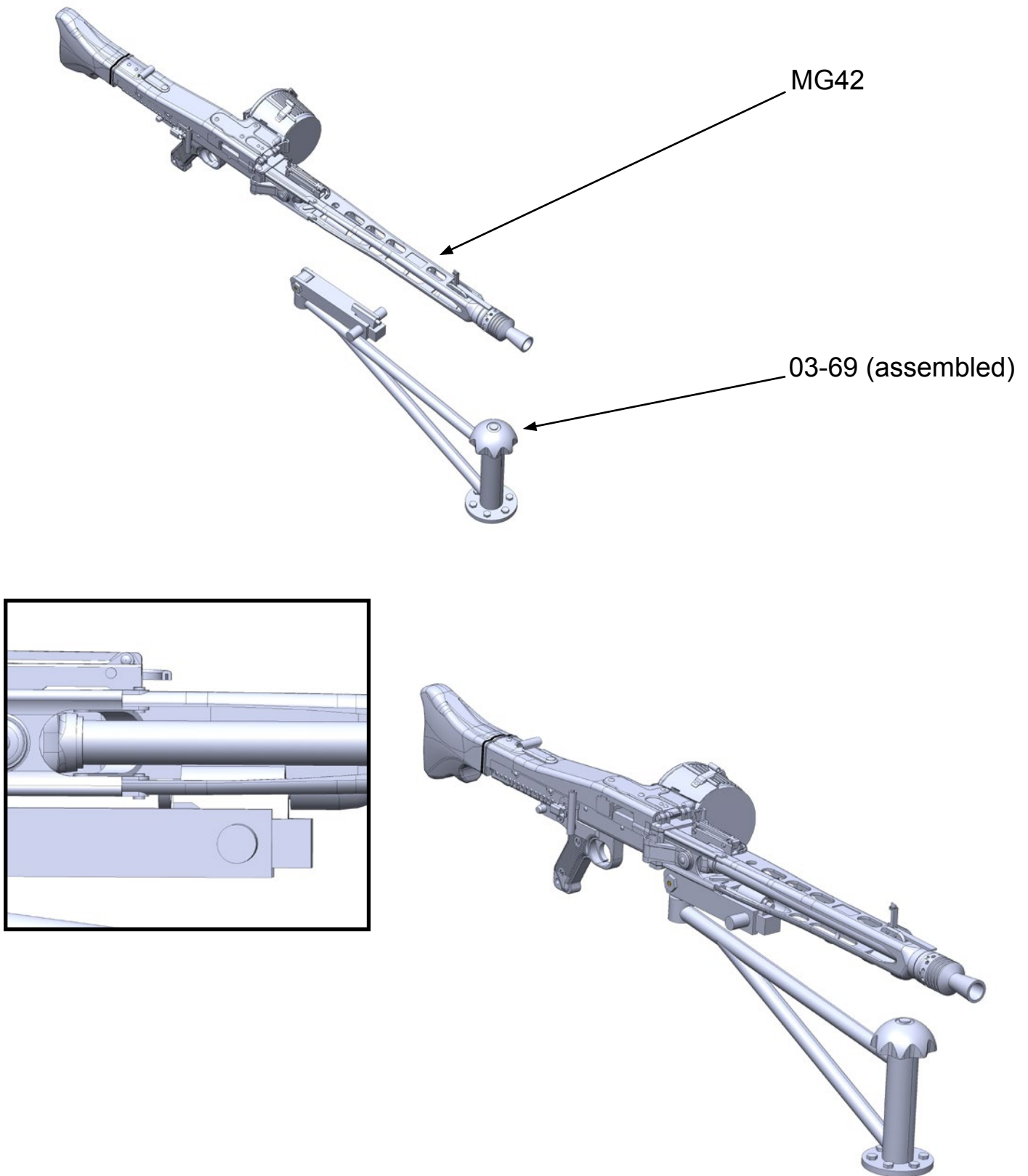
Connect assemblies 03-69A+B+C and 03-69D+E using an M1.6x8 screw.



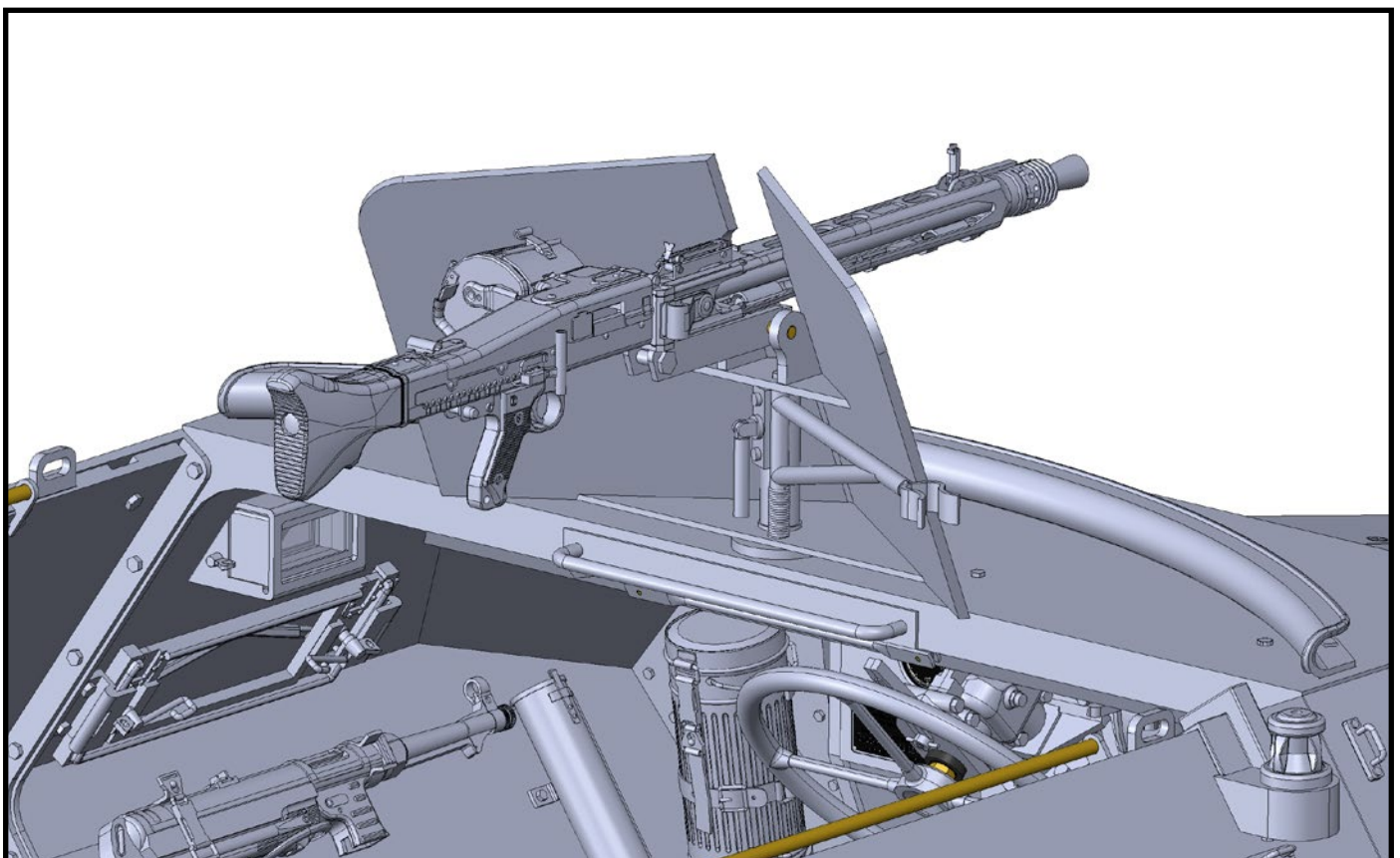
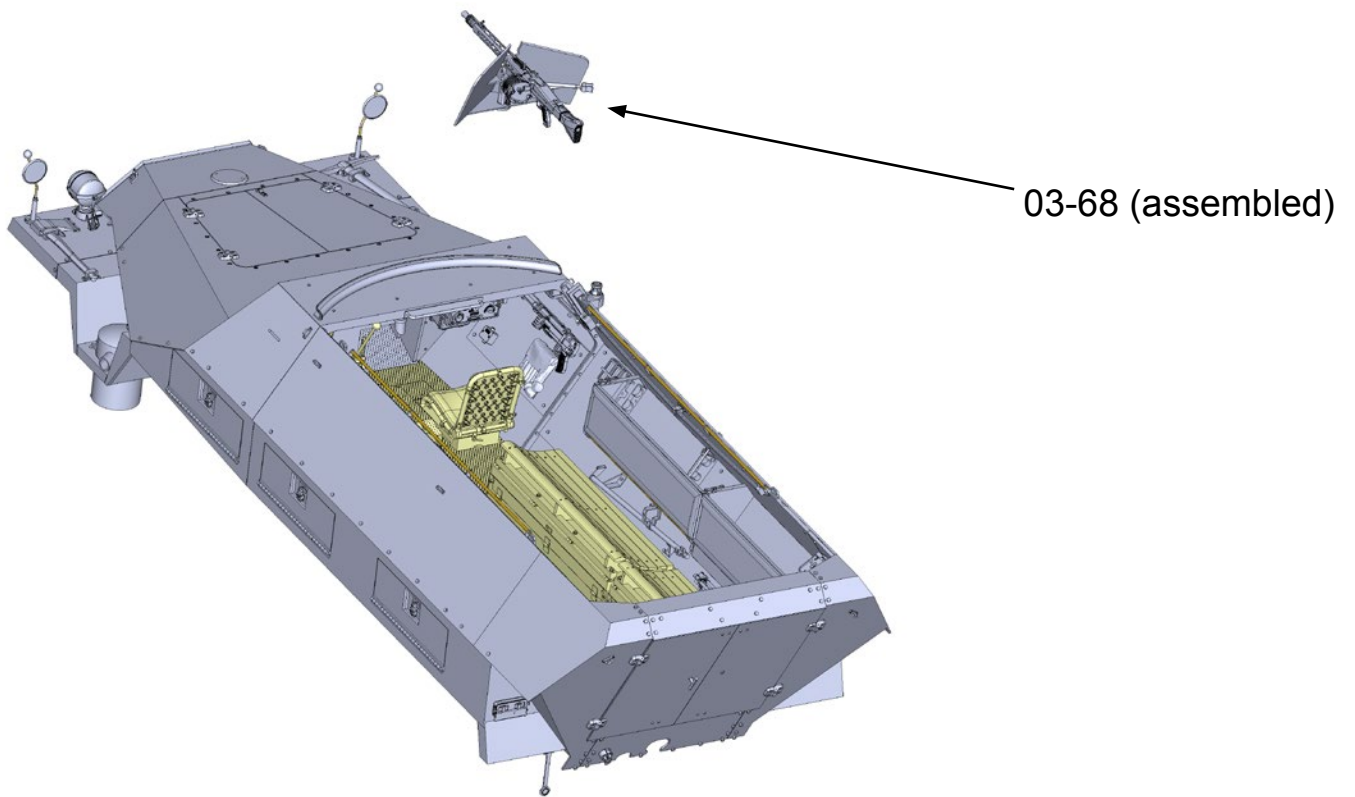
Insert and glue a 3x15mm pin into part 03-69F. The pin must hold firmly.



Insert the part 03-69F into assembly 03-69A+B+C.
Do not glue the parts together. Part 03-69F must rotate freely.

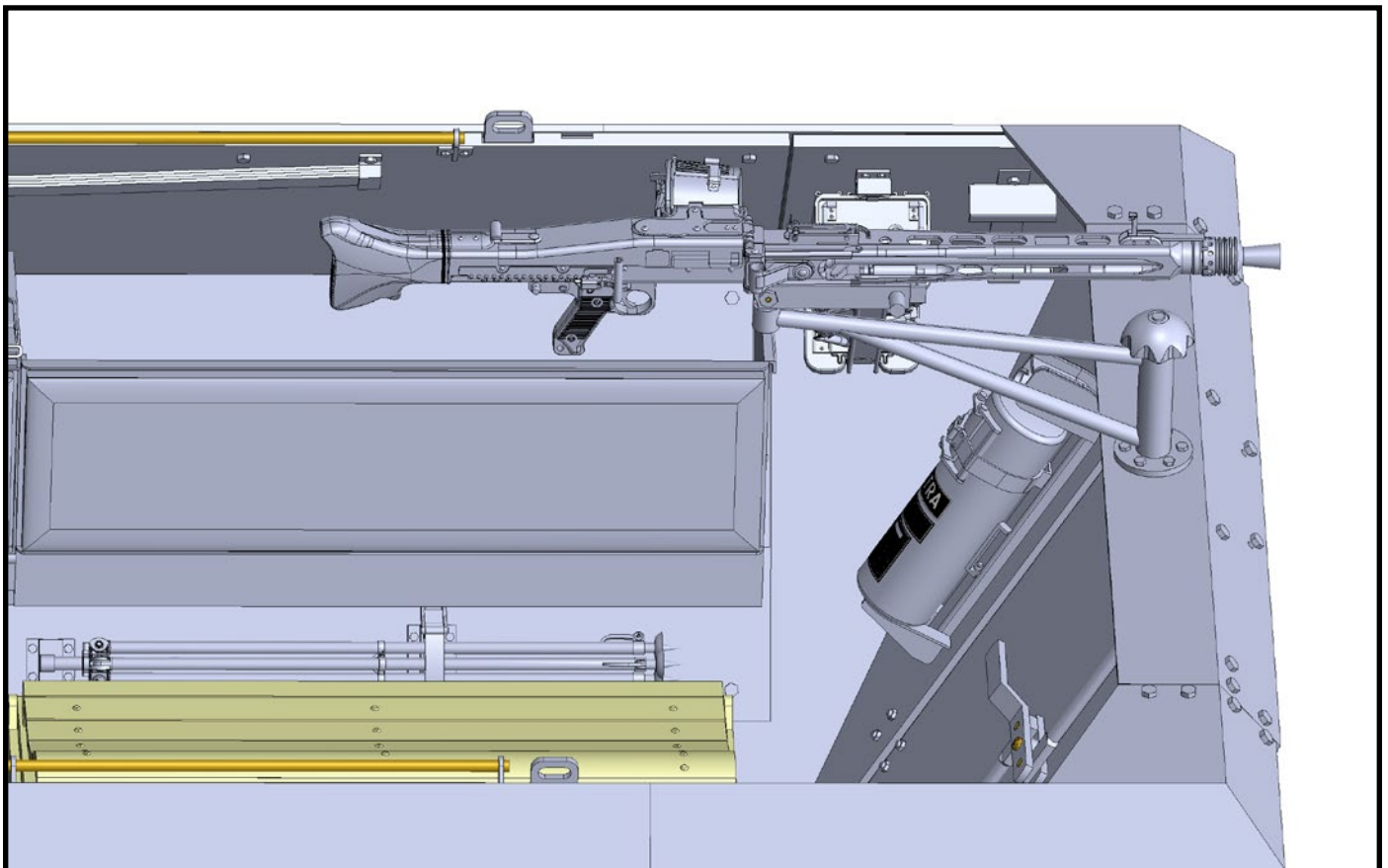
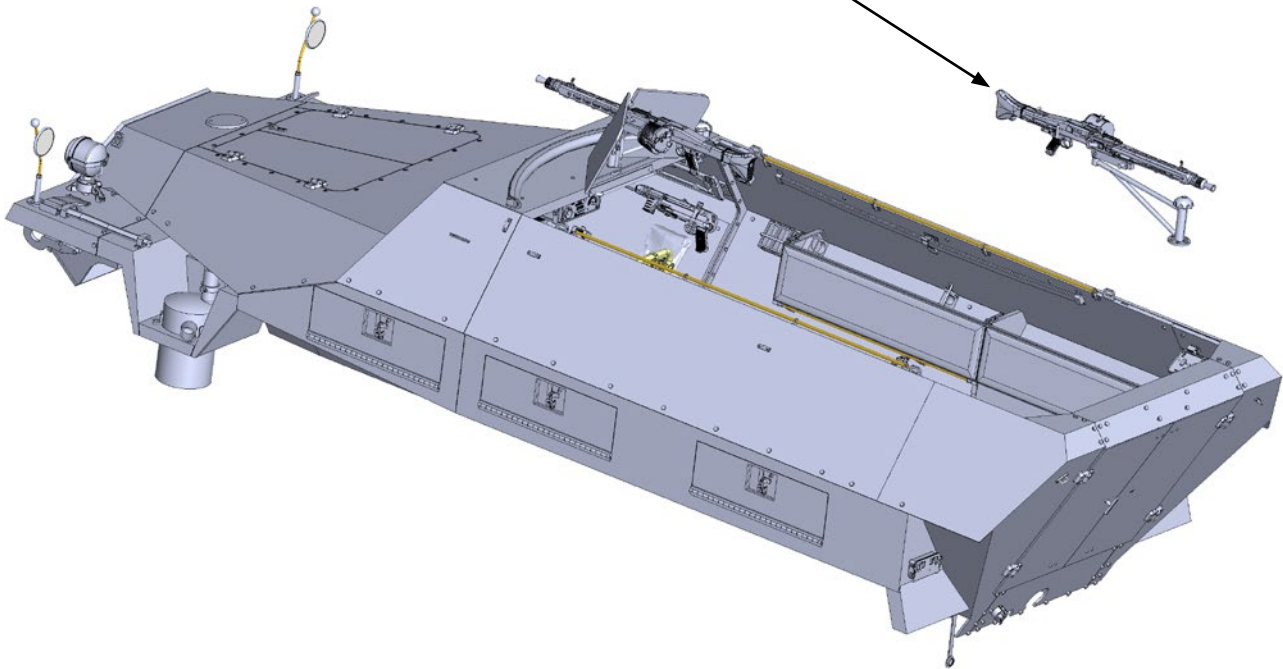


You can attach the MG42 machine gun to assembly 03-66.
Pay attention to the correct installation point.

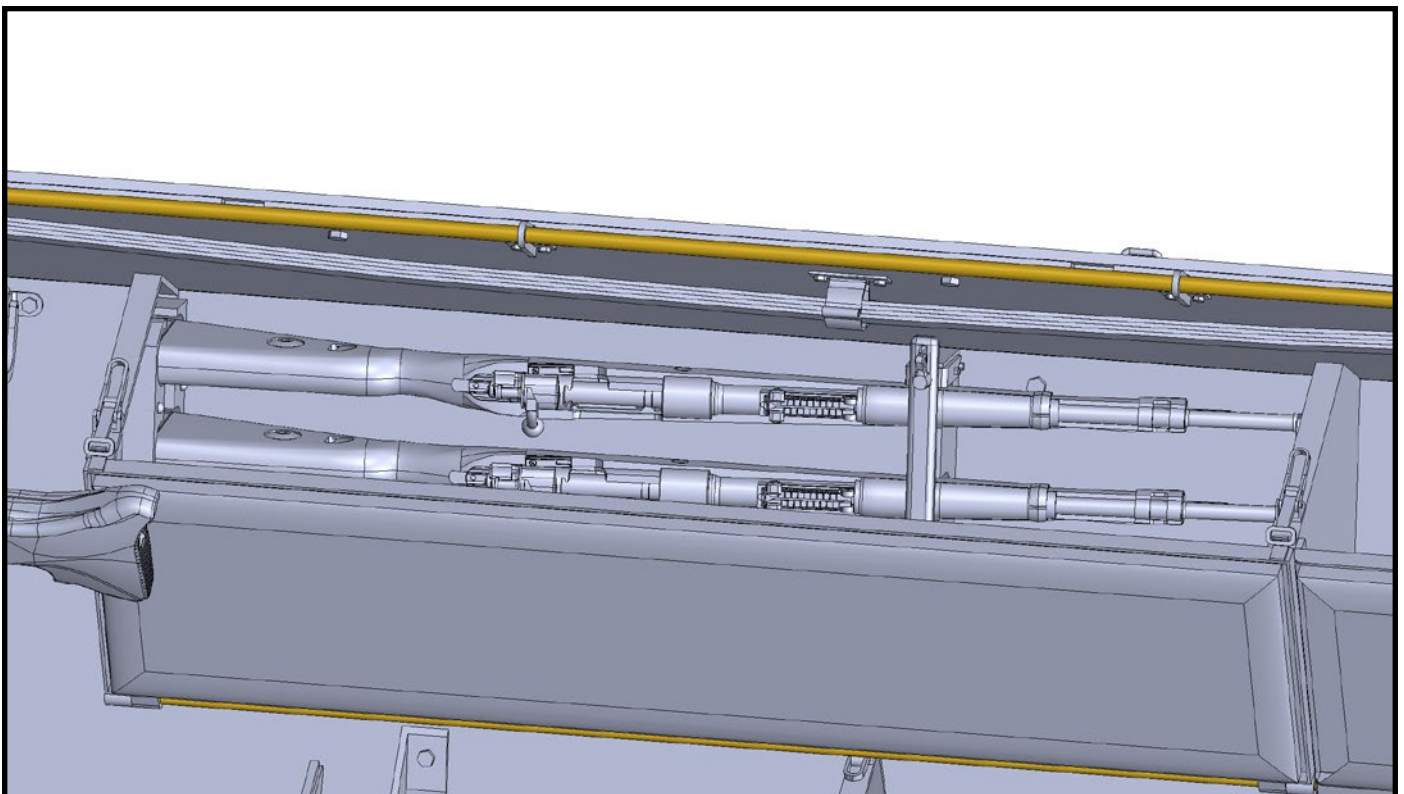
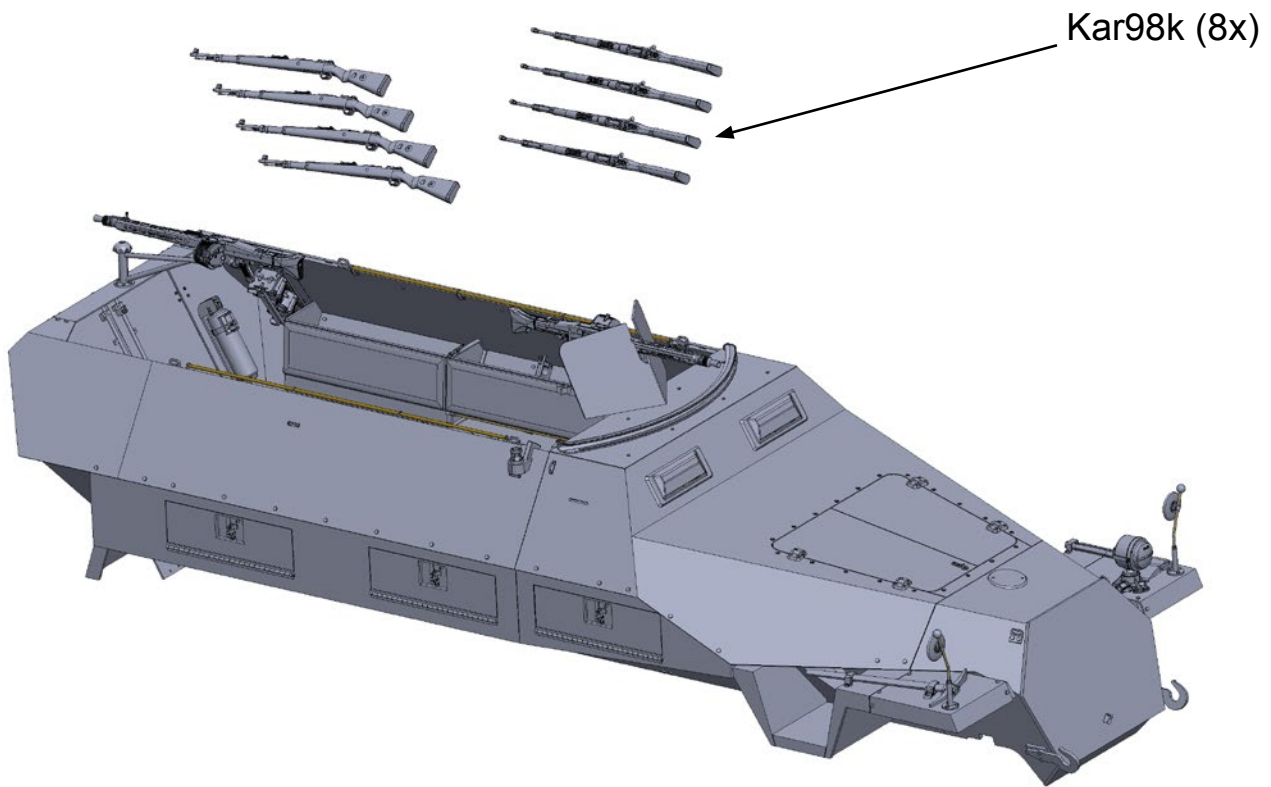


Glue assembly 03-68 to assembly 03-09.

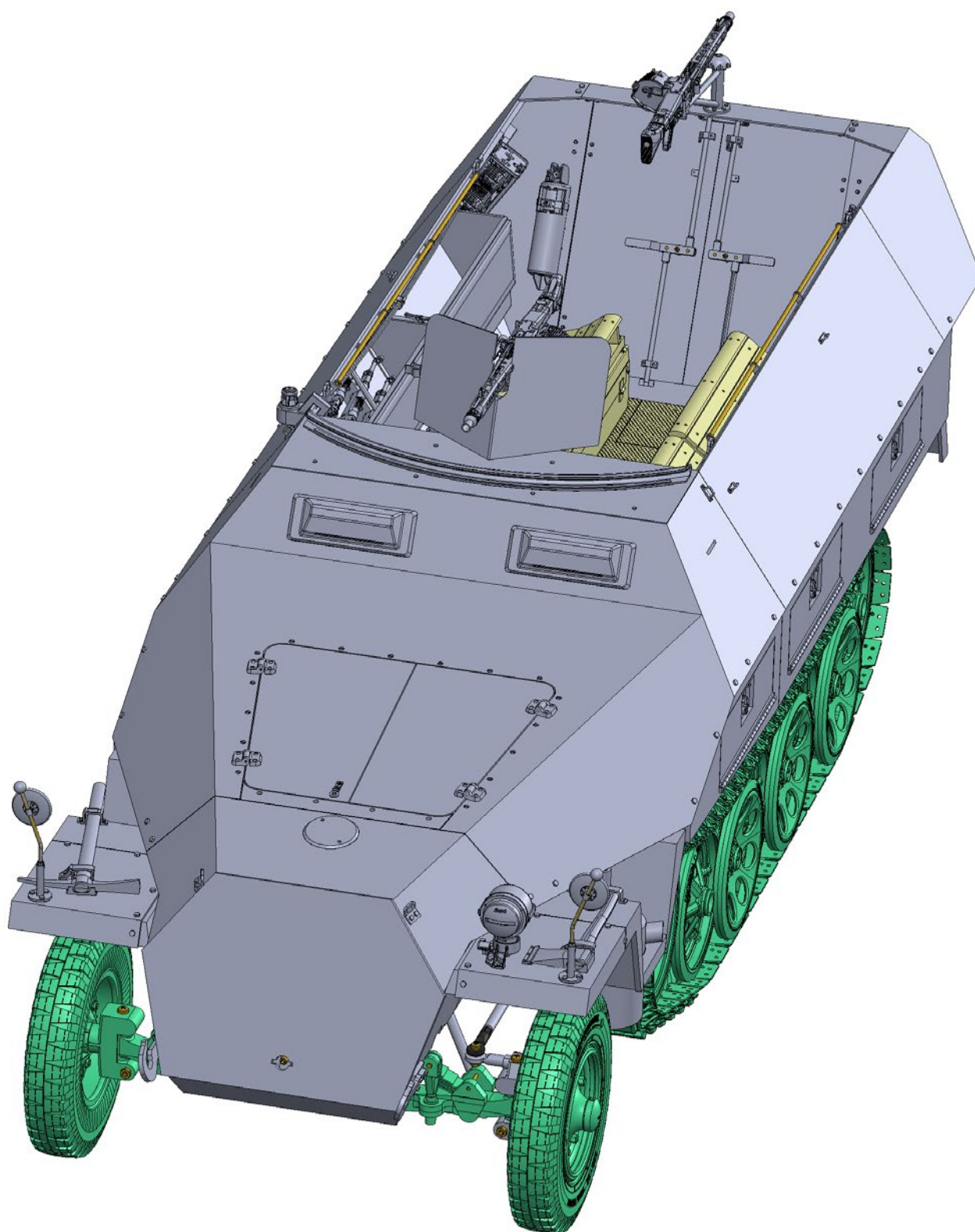
03-69 (assembled)

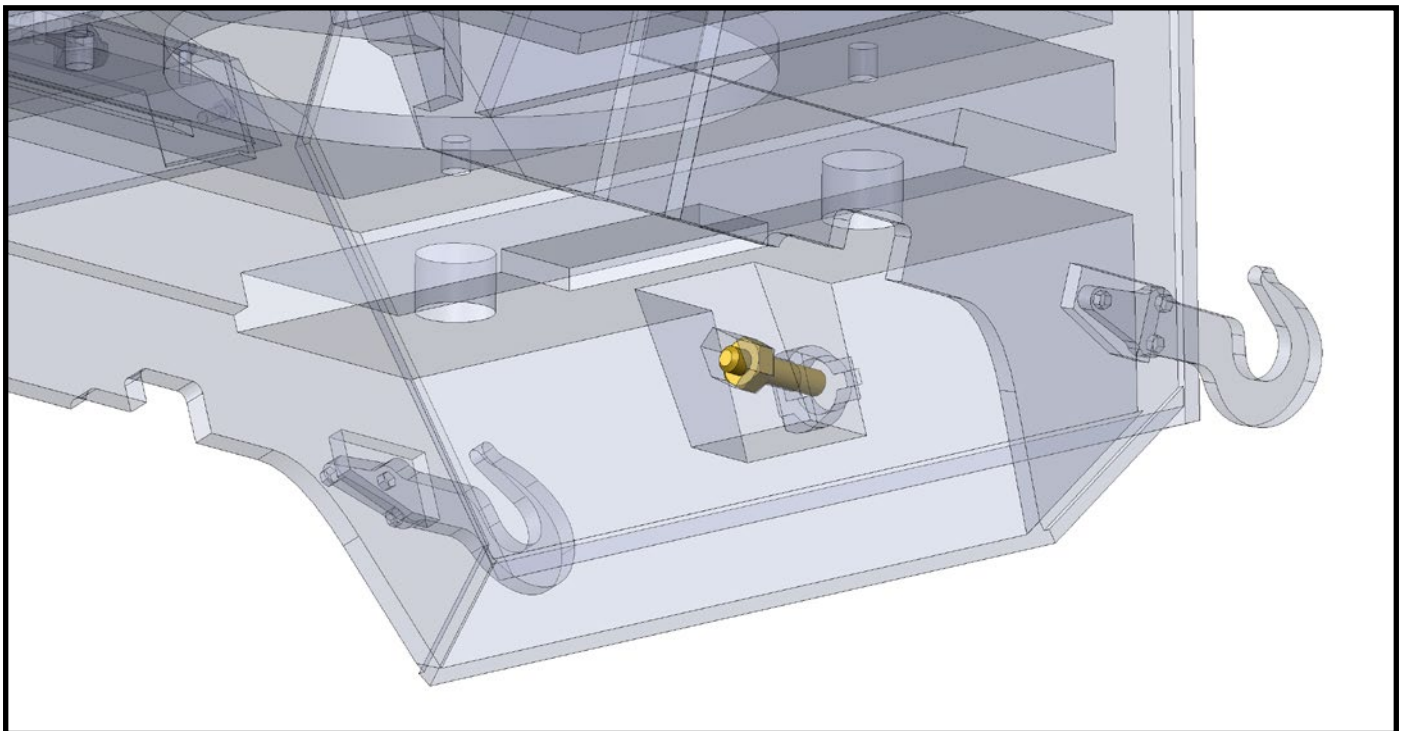
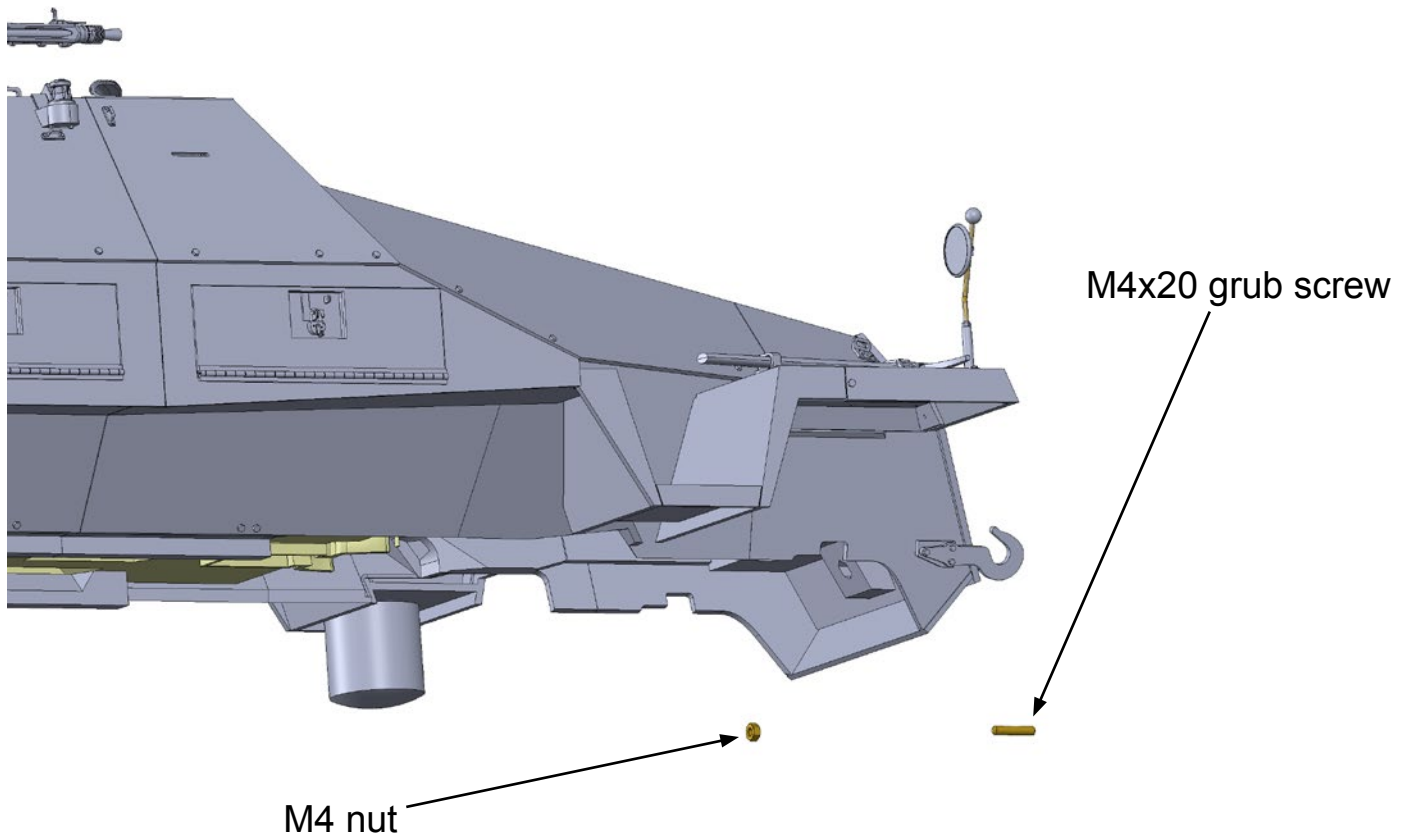


Glue assembly 03-69 to assembly 03-21.



Add eight Kar98k to the holders. **Don't glue them there !!!**



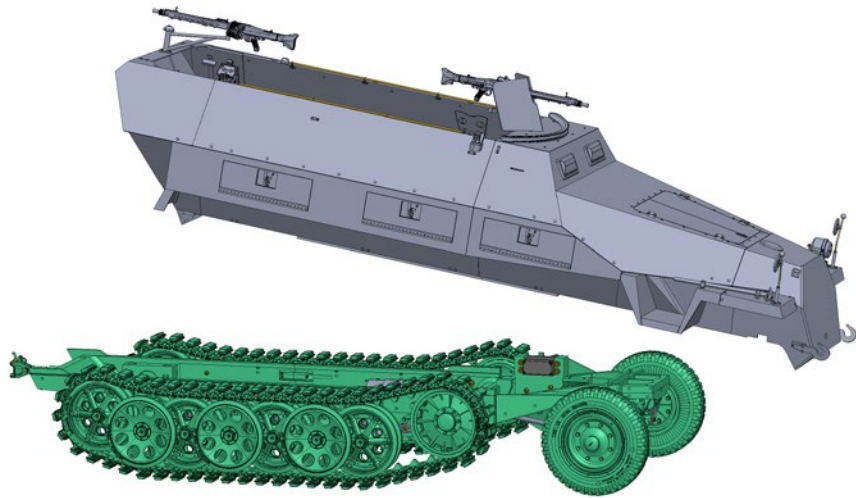


(Optional) insert an M4 nut from the inside of part 03-09B and screw an M4x20 grub screw into the nut from the outside. This will serve as a lock for attaching assembly 03 to assembly 01.

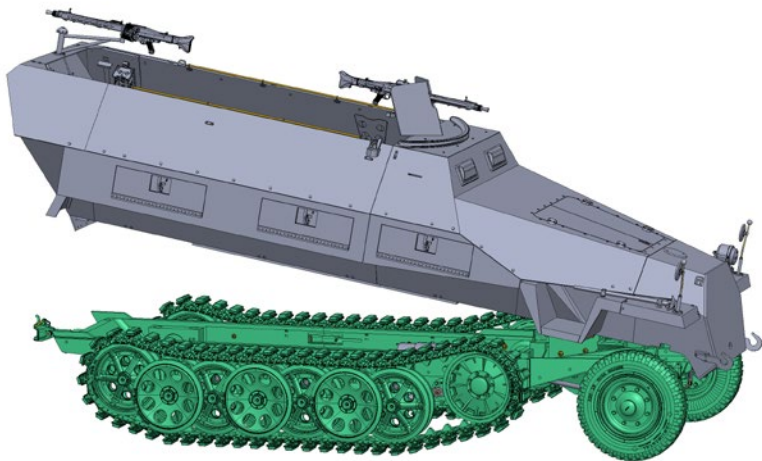
317

Final assembly

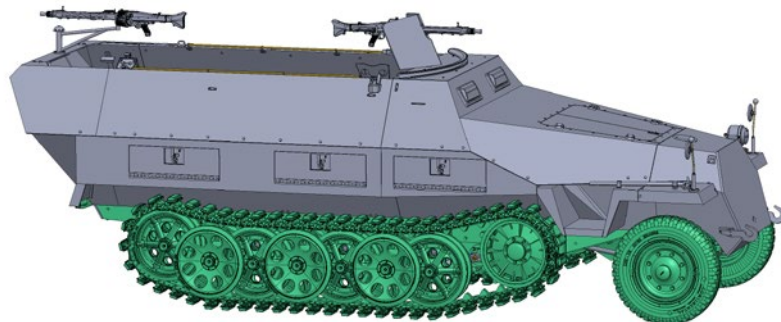
1



2

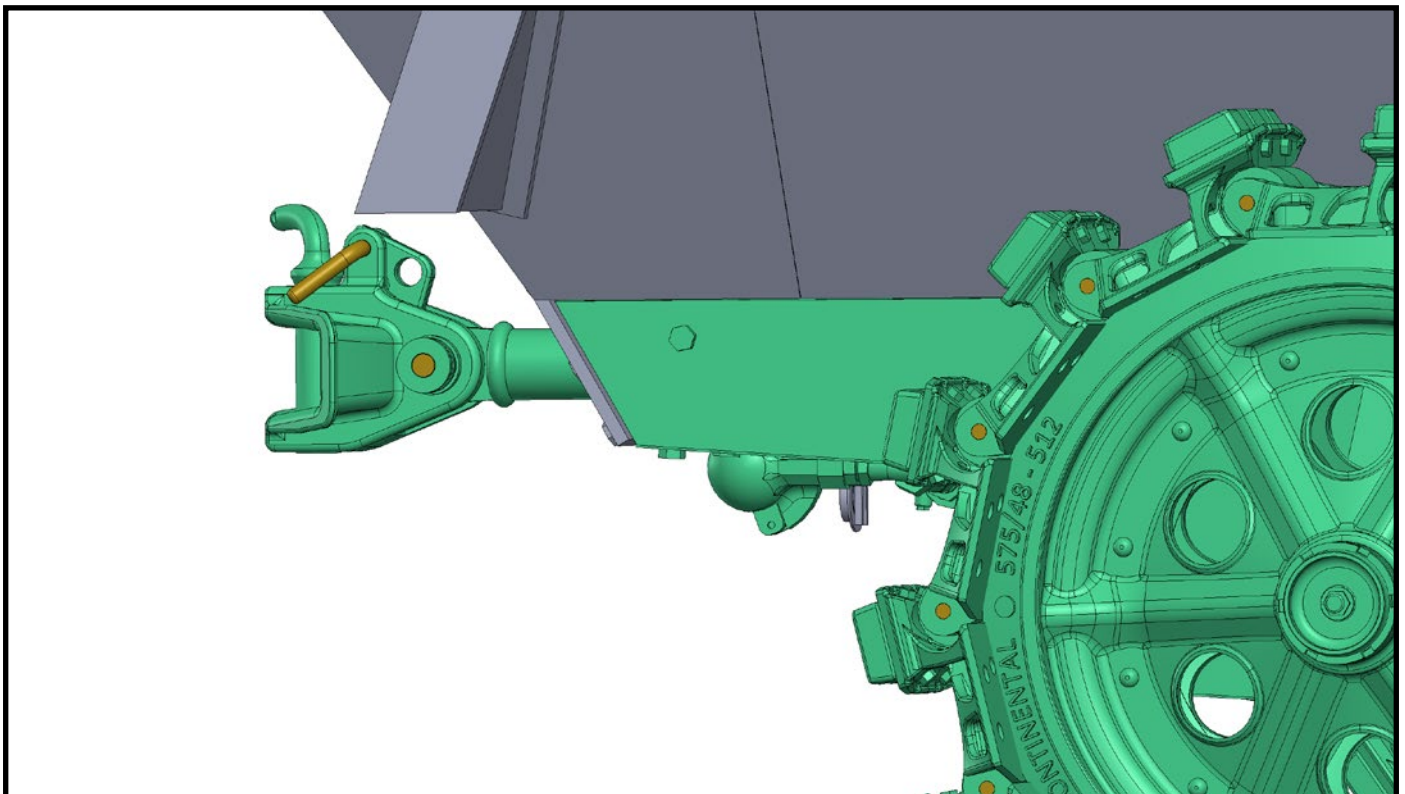
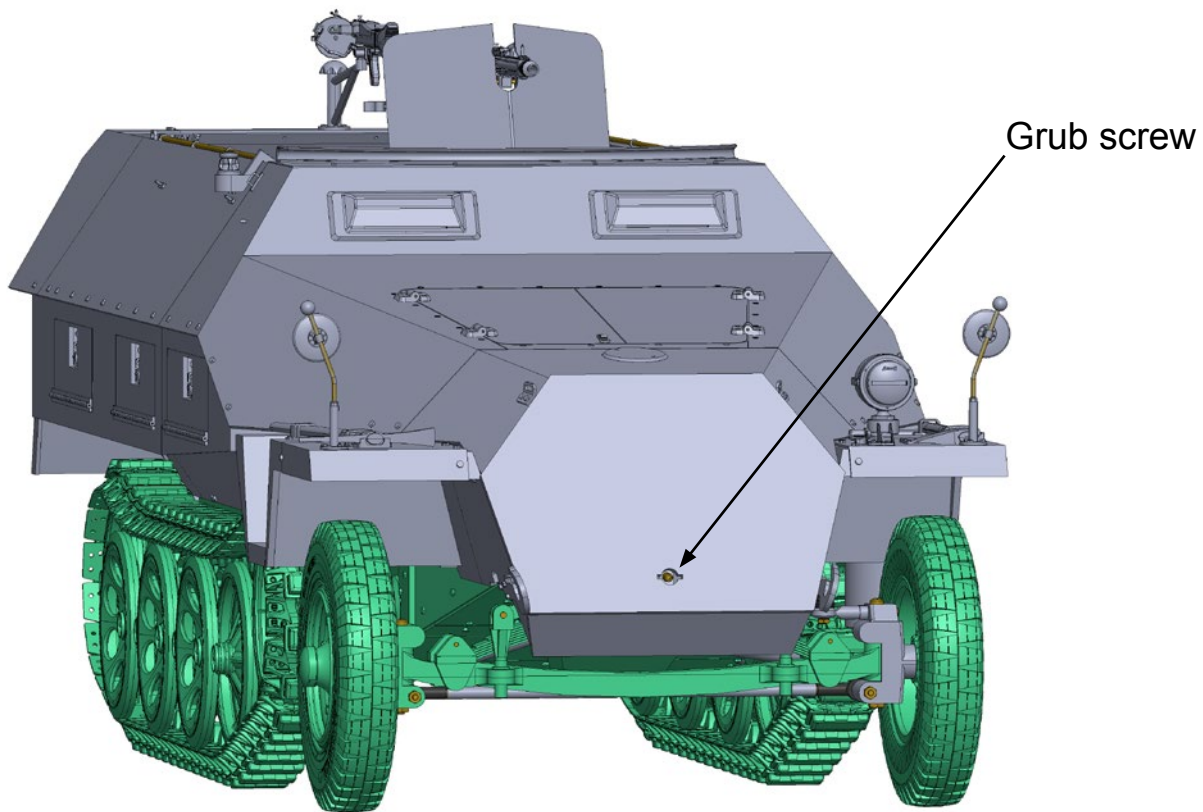


3



Insert the 02 assembly into the assembly 01.
Insert the assembly at an angle as shown in the illustration.
Front first, then rear.

NEVER GLUE THESE ASSEMBLIES TOGETHER!!!

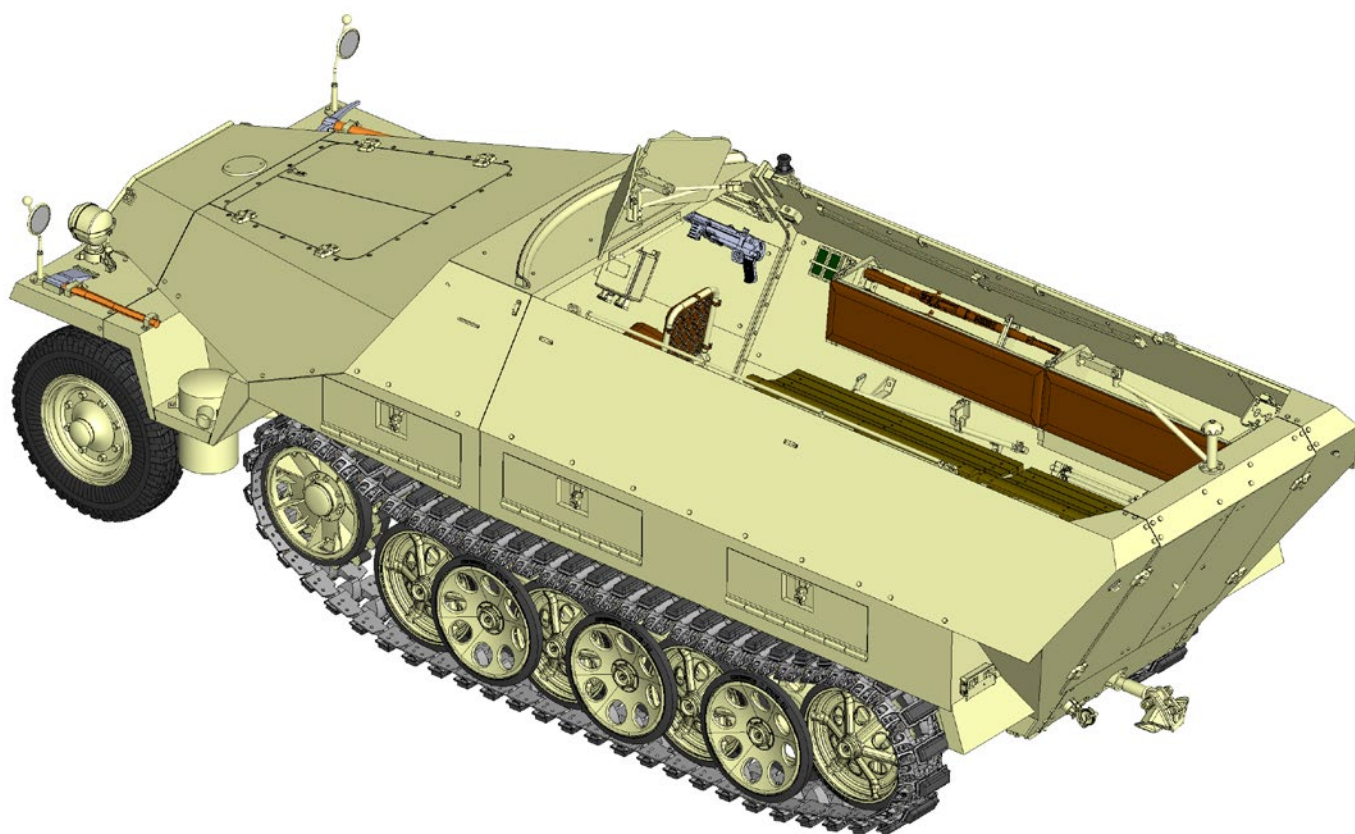


Tighten the grub screw to lock assemblies 01 and 03.
The rear part must fit together as shown in the bottom picture.

Congratulations on completing the model.
We hope the construction was fun and hassle-free.

More information, common tips for operation and other tools can be found on our forum:

<https://www.warprints.xyz/forum>



Sd.Kfz. 251/1 Ausf.D - Static model version - scale 1/6

Assembly guide, version 1.0.1_EN

© warprints 2026