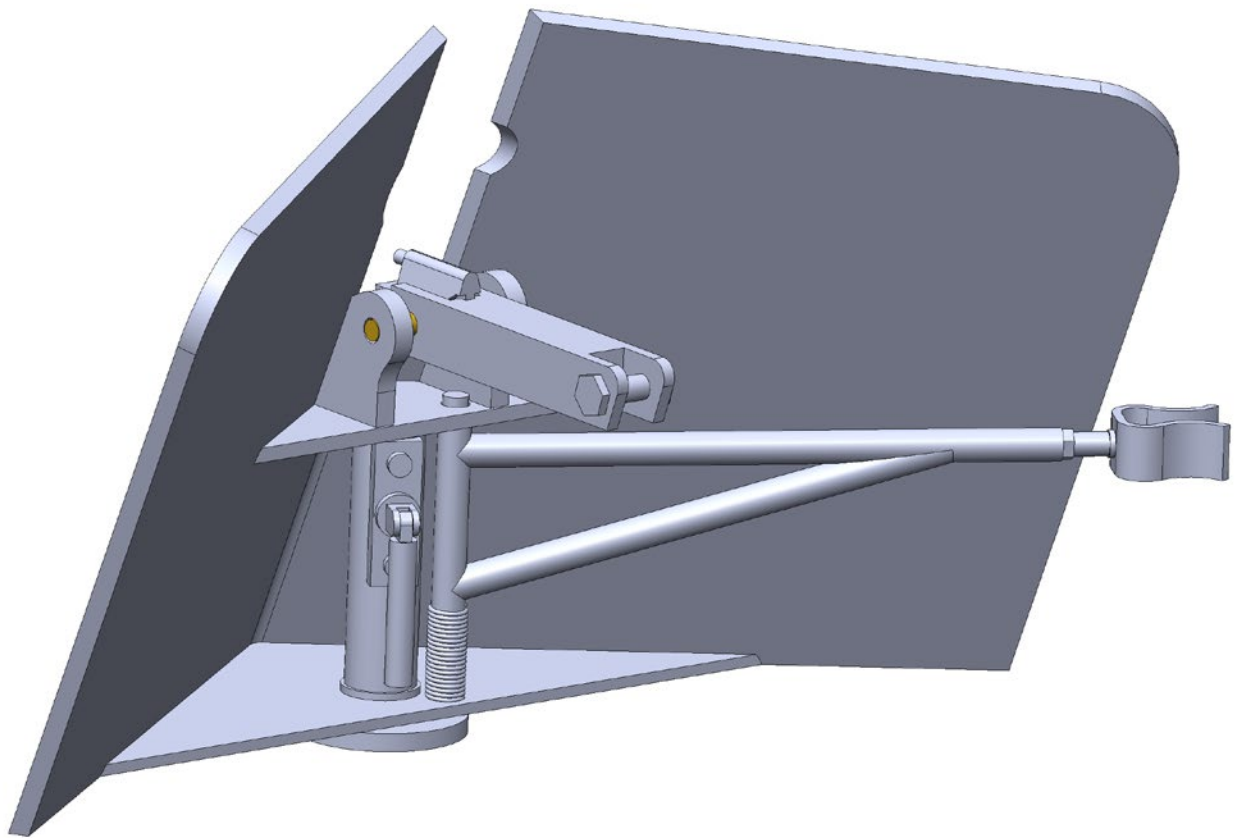
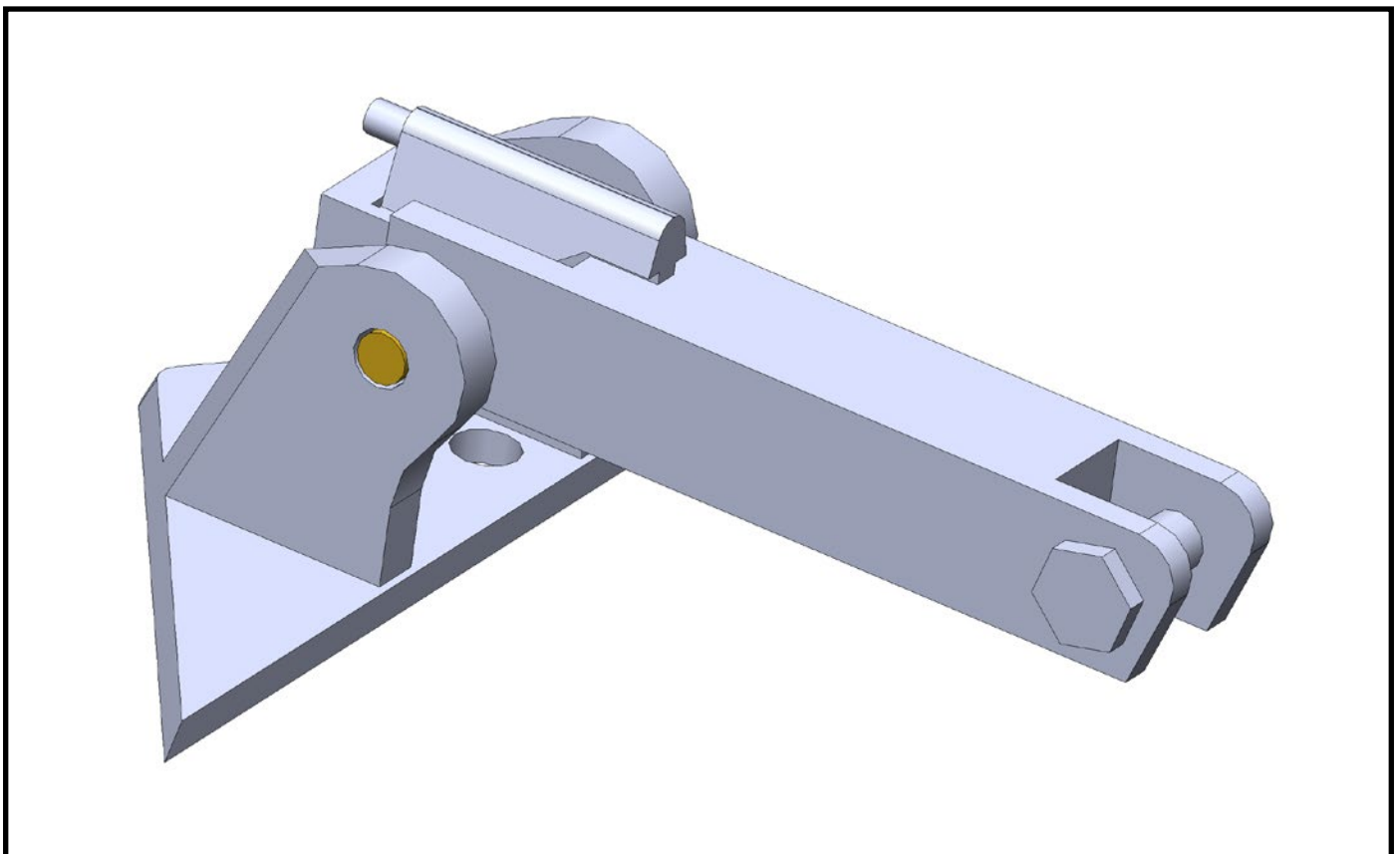
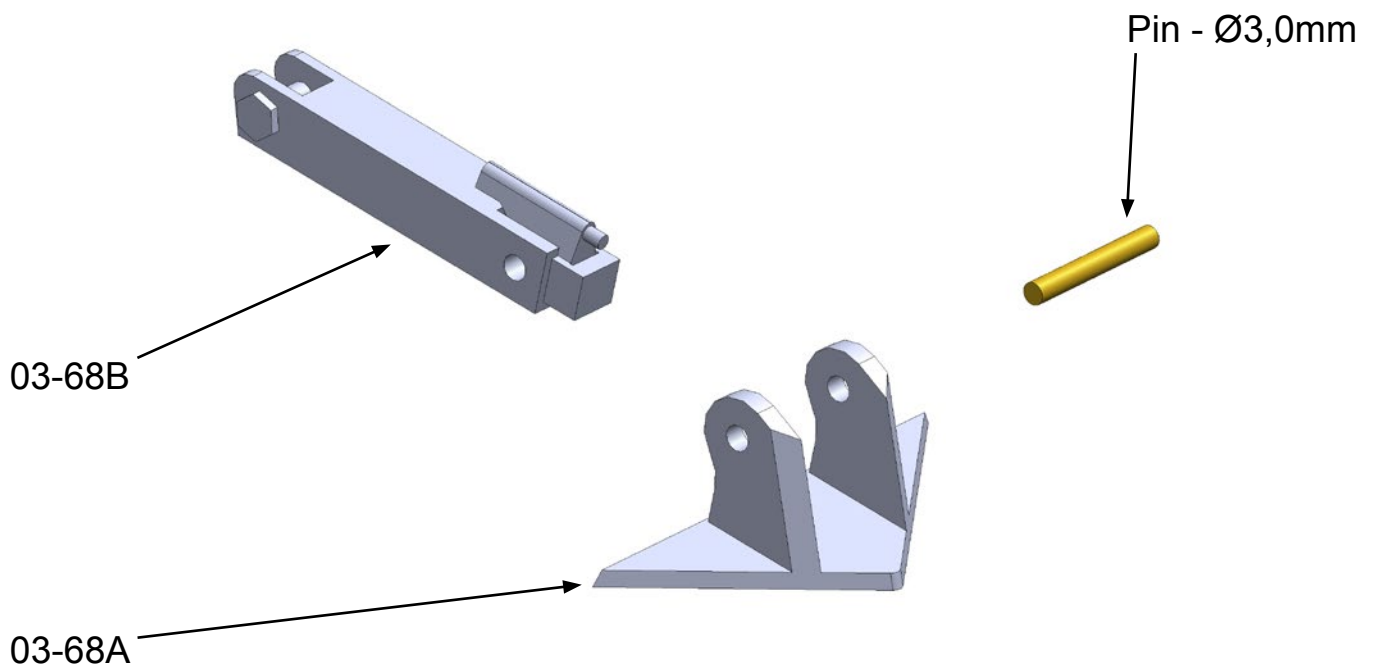


Front MG Mount with the Shield for Sd.Kfz.251

Assembly guide

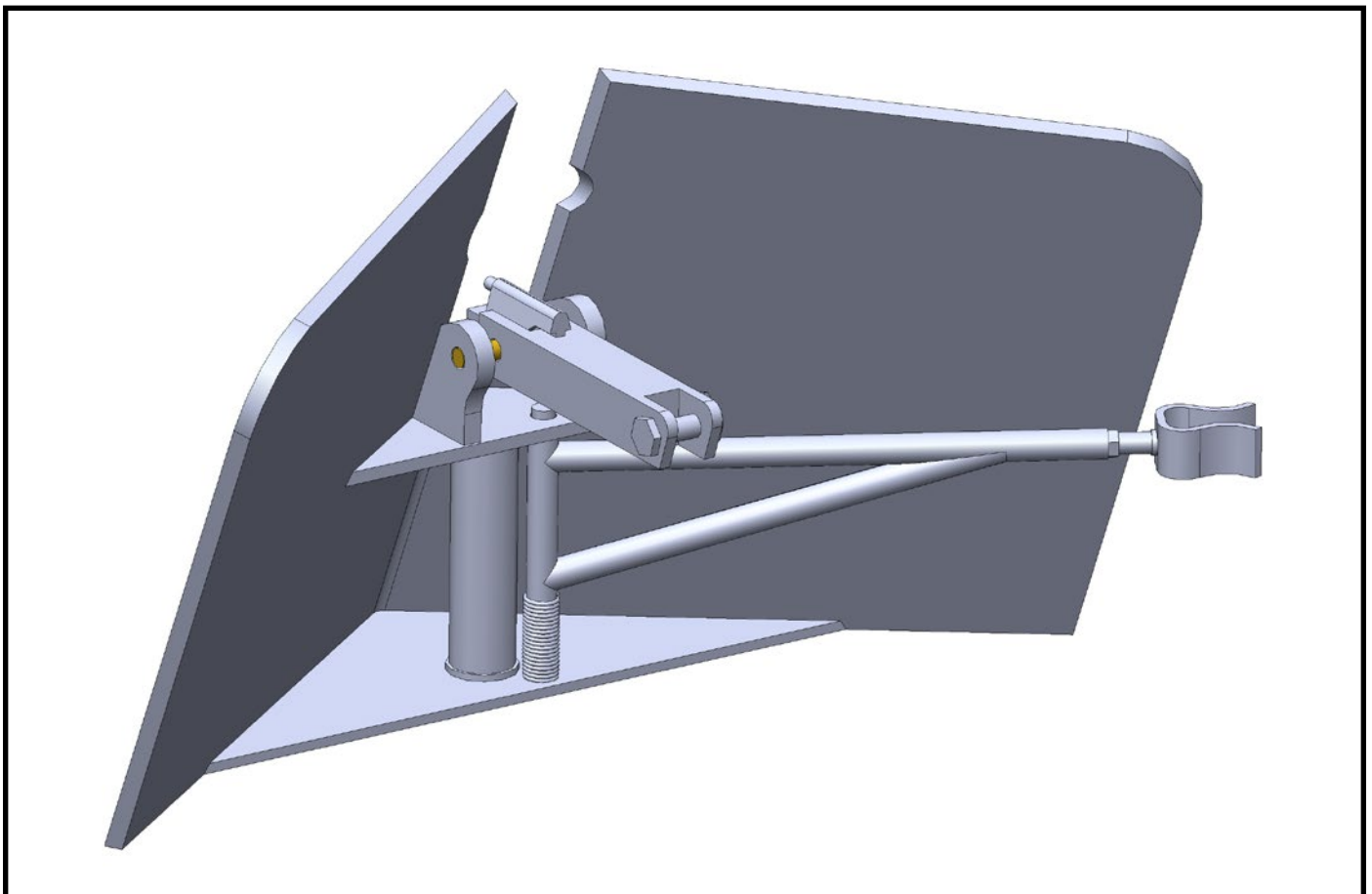
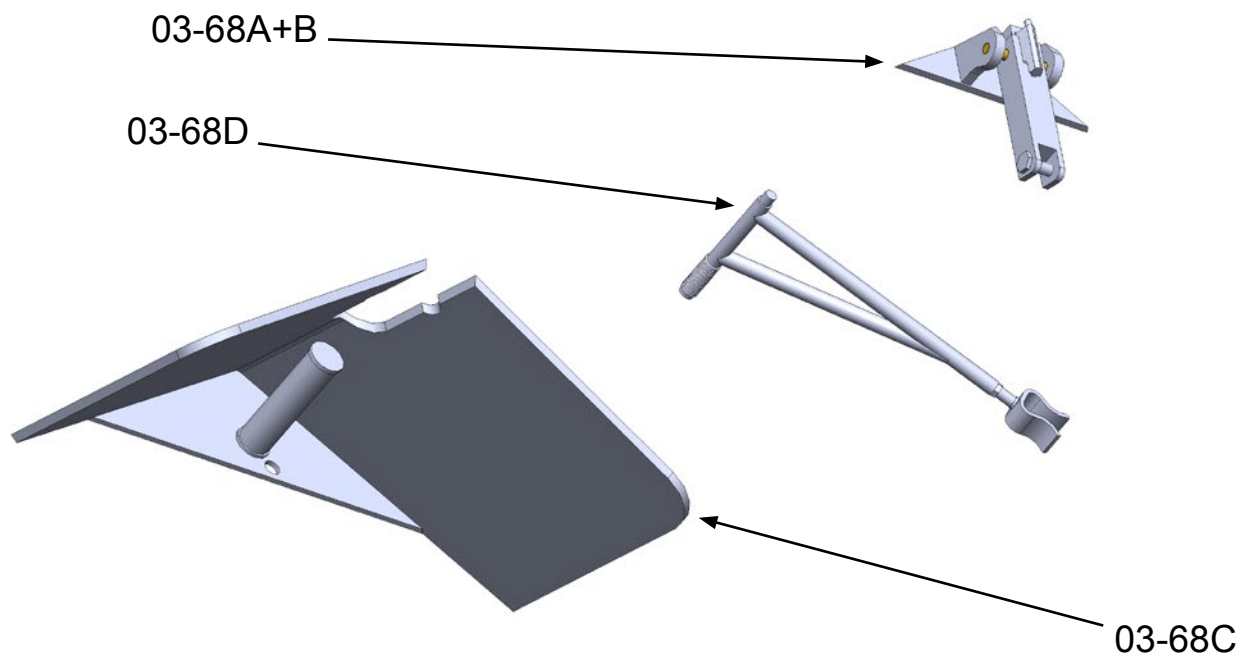




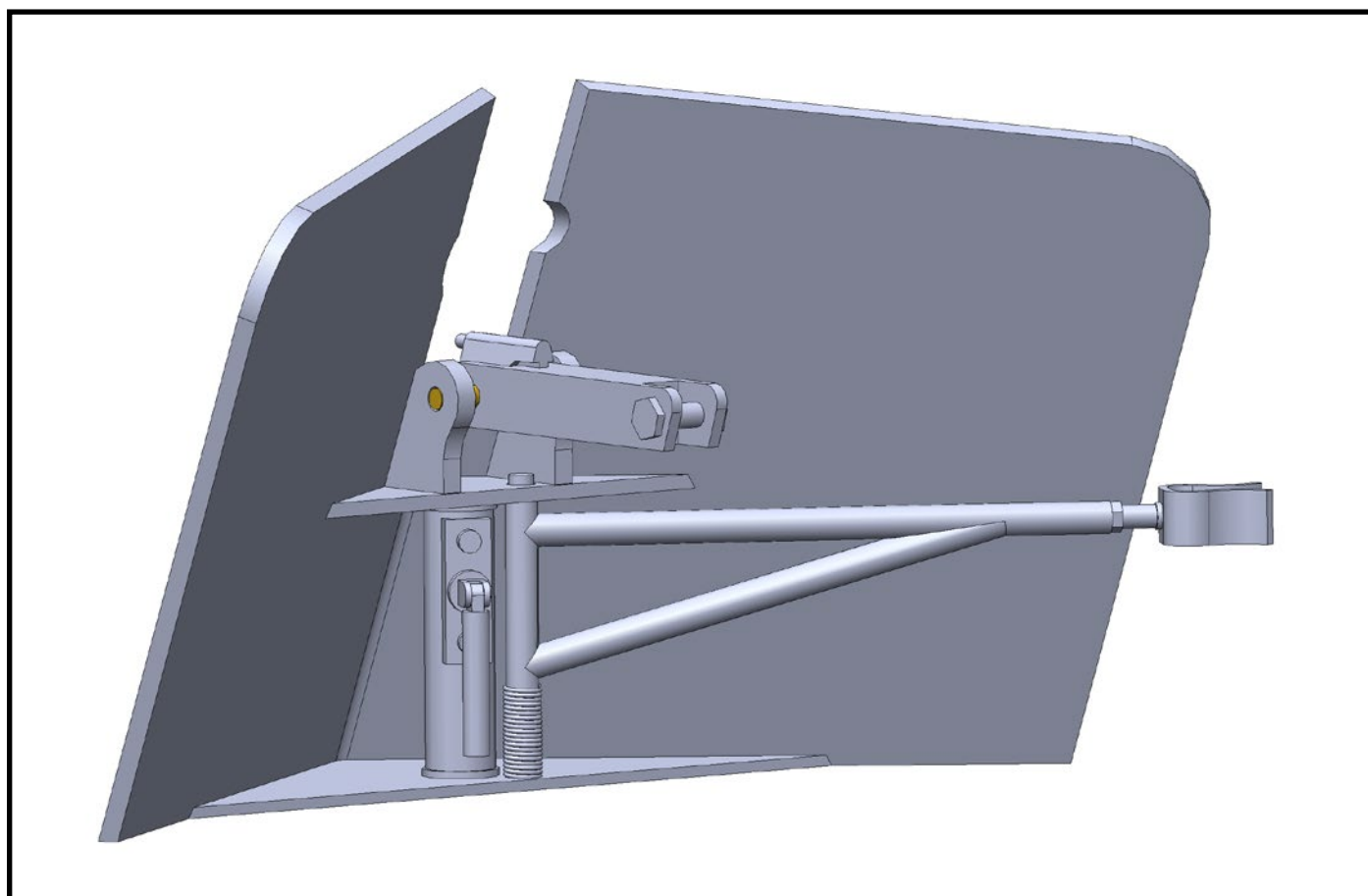
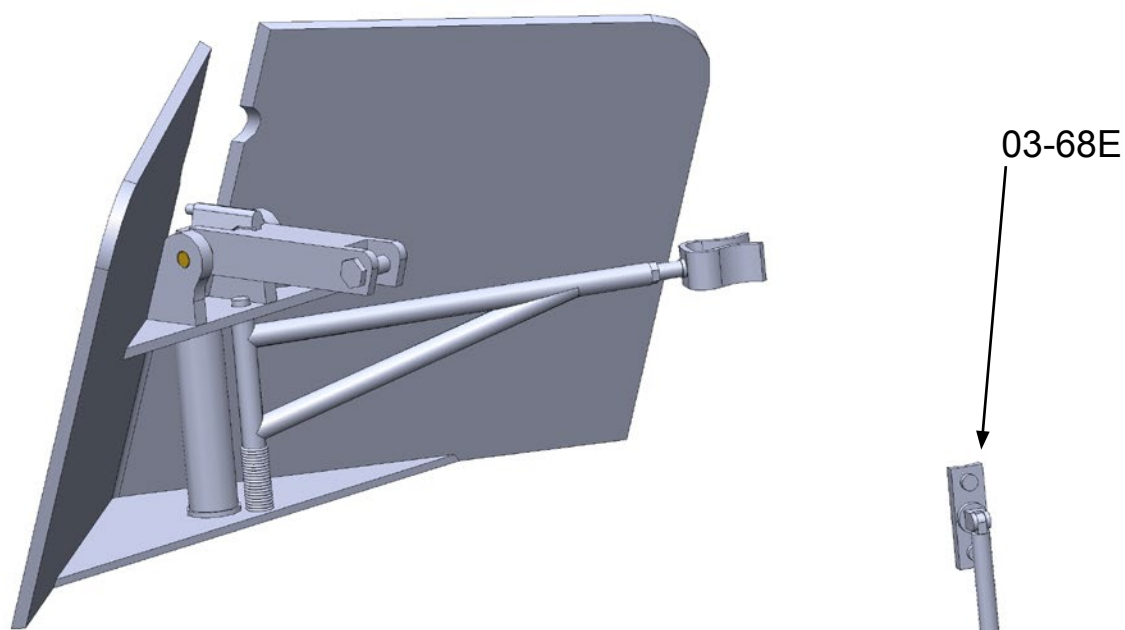
Connect parts 03-68A and 03-68B using 3 mm pin (do not glue the pin).

Front MG Mount with the Shield

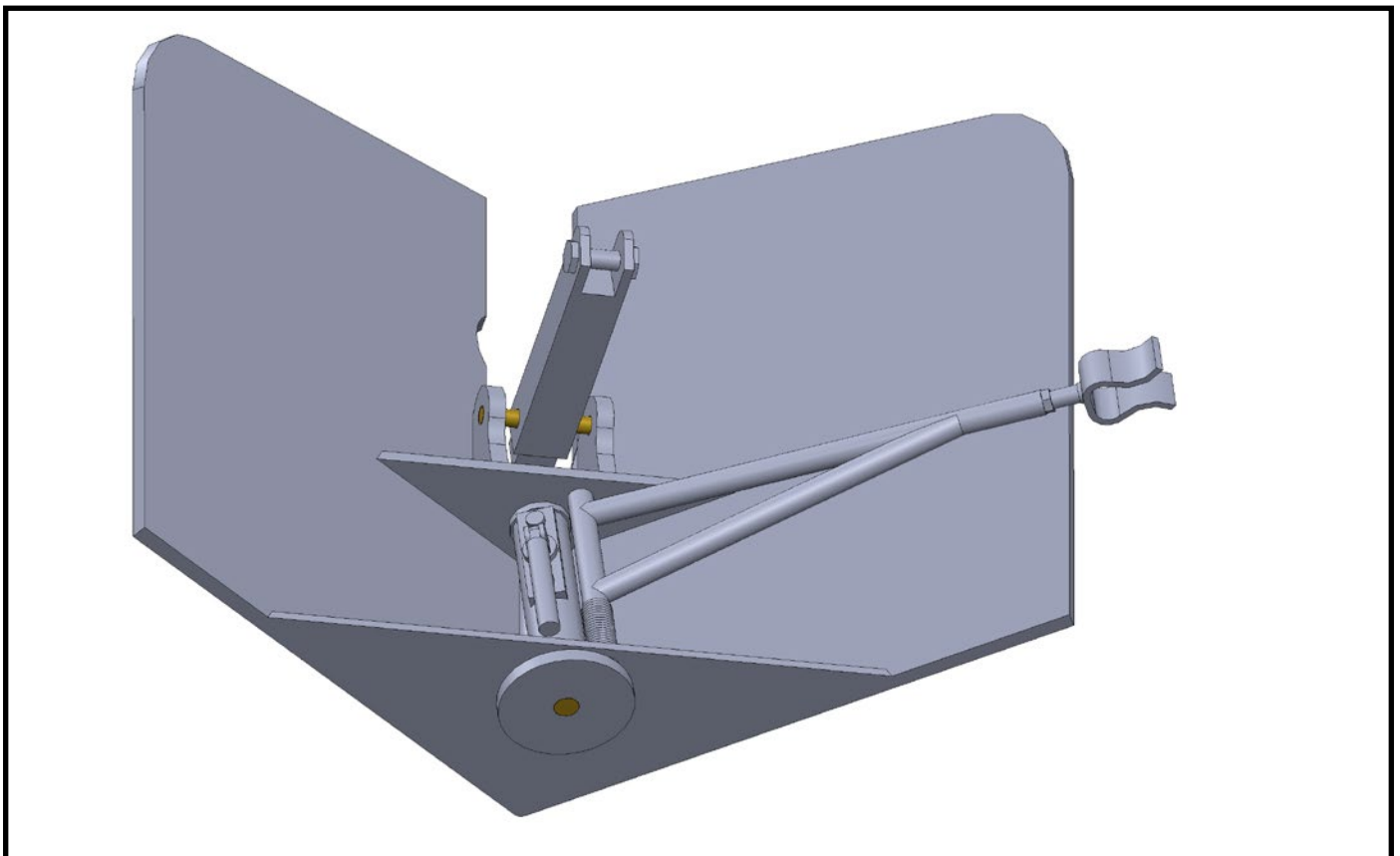
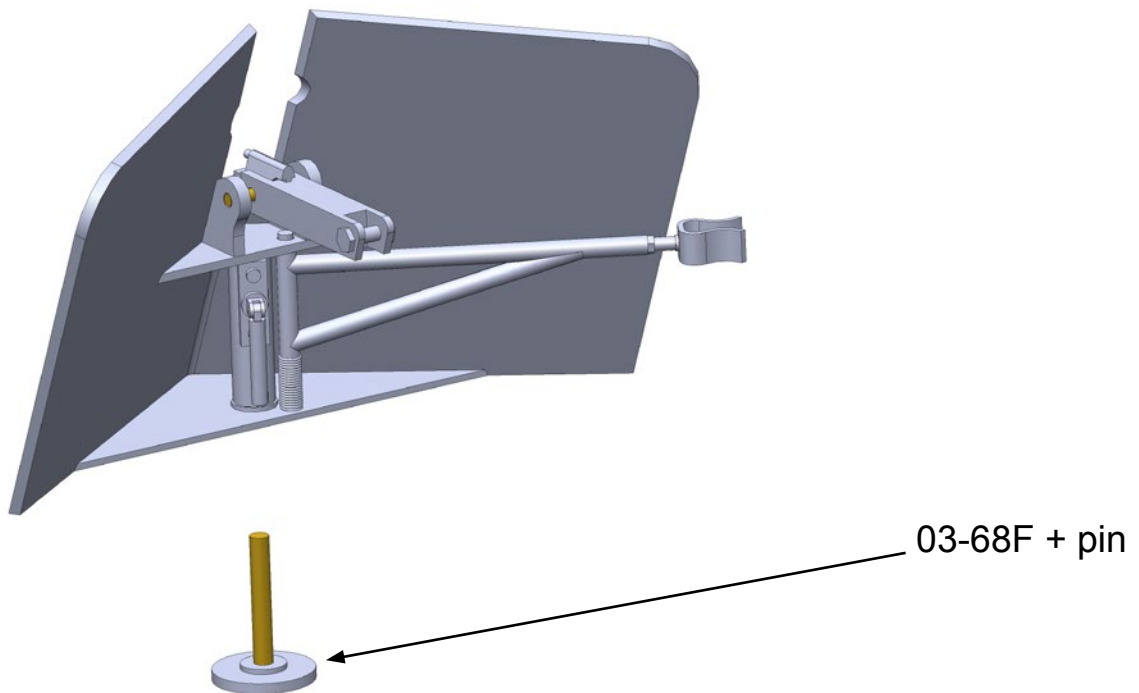
3



Insert part 03-68D into part 03-68C. Do not glue the parts together.
Glue part 03-68A to part 03-68C.
Part 03-68D must rotate freely.



Glue part 03-68E to part 03-68C.



Insert part 03-68F into part 03-68C.
Do not glue the parts together. Part 03-68F must rotate freely.